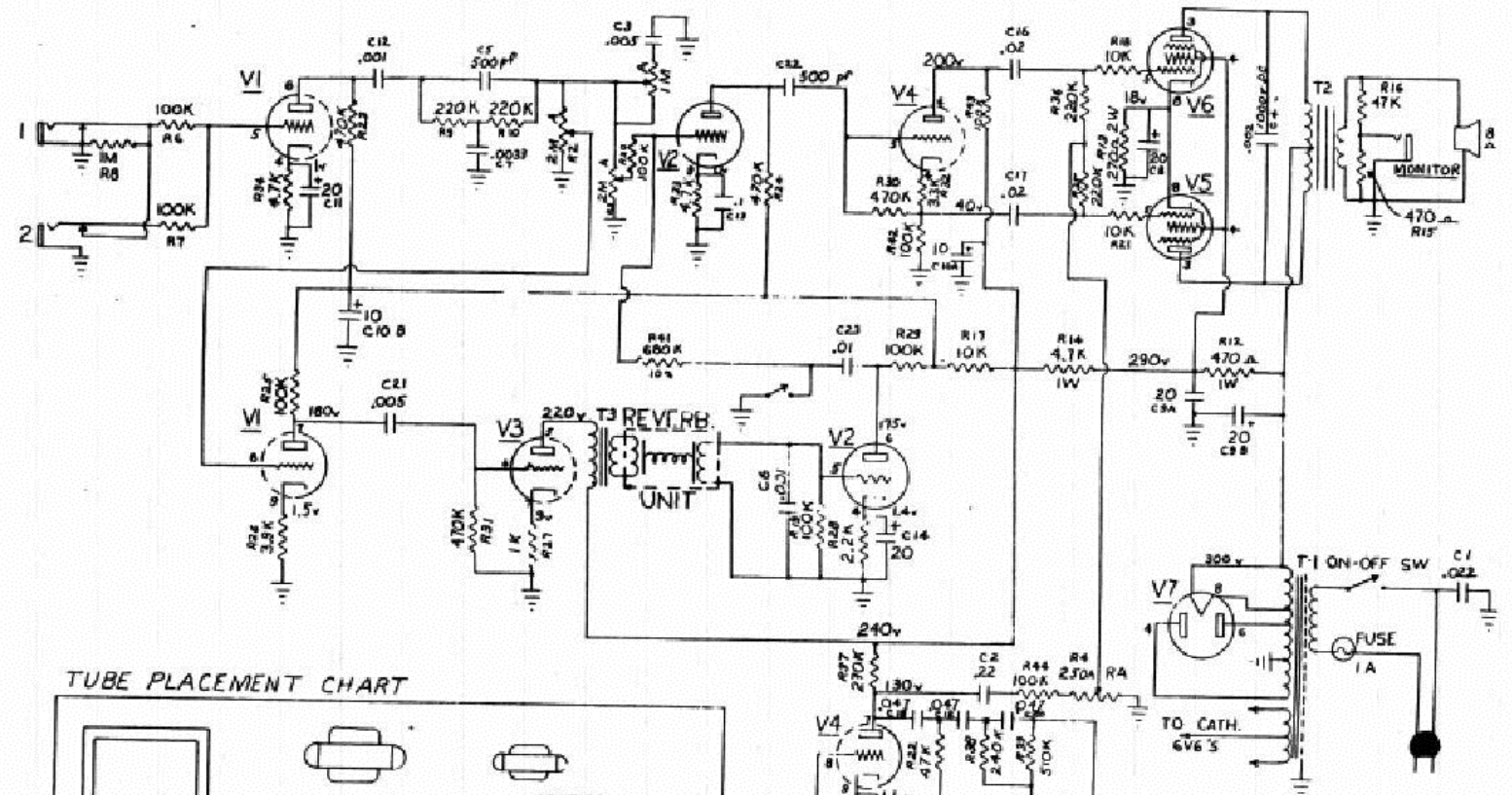
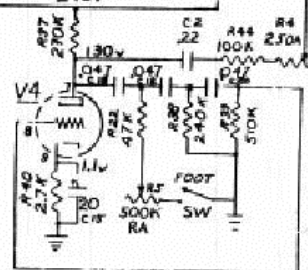
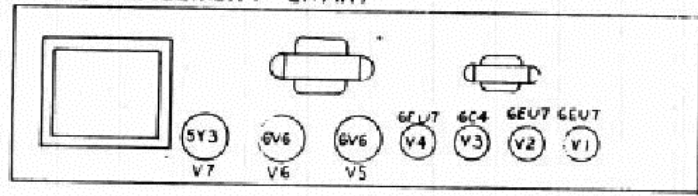


M-216 RVT



TUBE PLACEMENT CHART



ALL DC VOLTAGES ARE MEASURED TO CHASSIS WITH V.T.V.M.