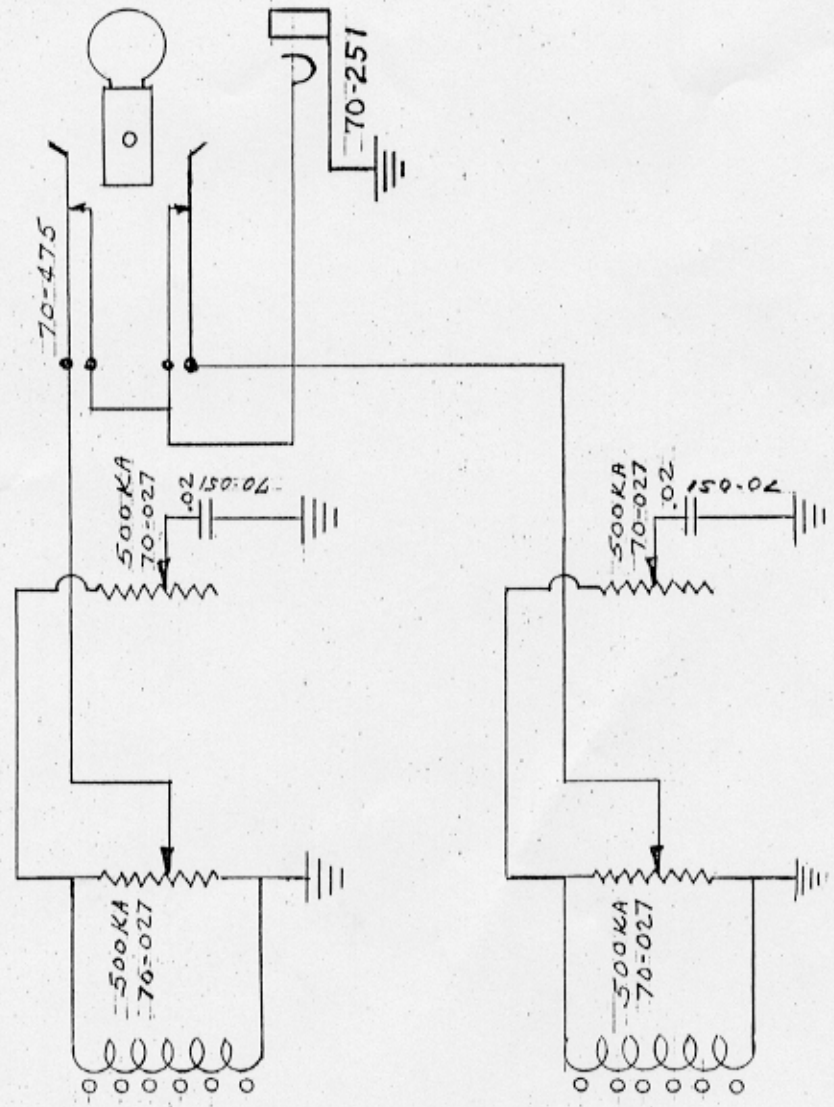


- SOLID BODY
- SG STANDARD
- SG DELUXE
- SG PRO
- SG SPECIAL
- FIREBIRD III
- FIREBIRD V
- L 5-S
- AD-77 STD.
- SG STUDIO
- "THE SG" 9-5-77



NOTE:
 MODELS AFTER 7-1-73 USE
 300KA CONTROLS, GIBSON
 PART NO. 70-028. AFTER 1-1-76
 TONE CONTROLS ARE 70-035

LETTER	WAS	DATE	SCALE	GIBSON, INC.				PART NAME
				KALAMAZOO, MICH.				C.P.A. ASSEMBLY-SCHEMATIC
								KIND MATERIAL
								AMOUNT MATERIAL

DATE 11-26-74

REDRAWN DLG CHECKED