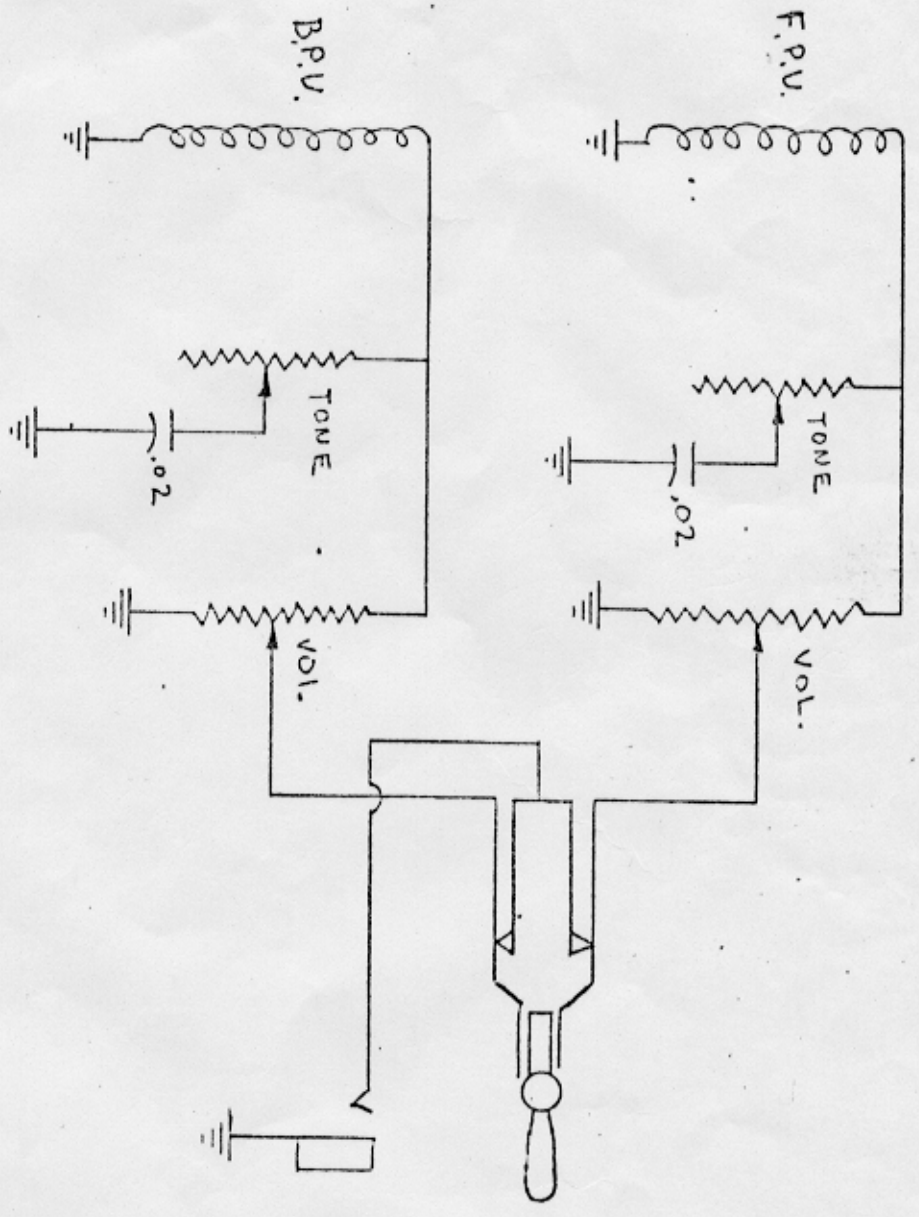


CUS. 0M



ES-175 D
LS CES
SUPER V CES
S-400
ES-350
BYRD LNU D

LETTER	WAS	DATE	SCALE
			NO. REQ.
			HEAT TREAT.
			FINISH
			DRAWN
			CHECKED

GIBSON, INC.
KALAMAZOO, MICH.
DATE

PART NAME	CPA
KIND MATERIAL	
AMOUNT MATERIAL	