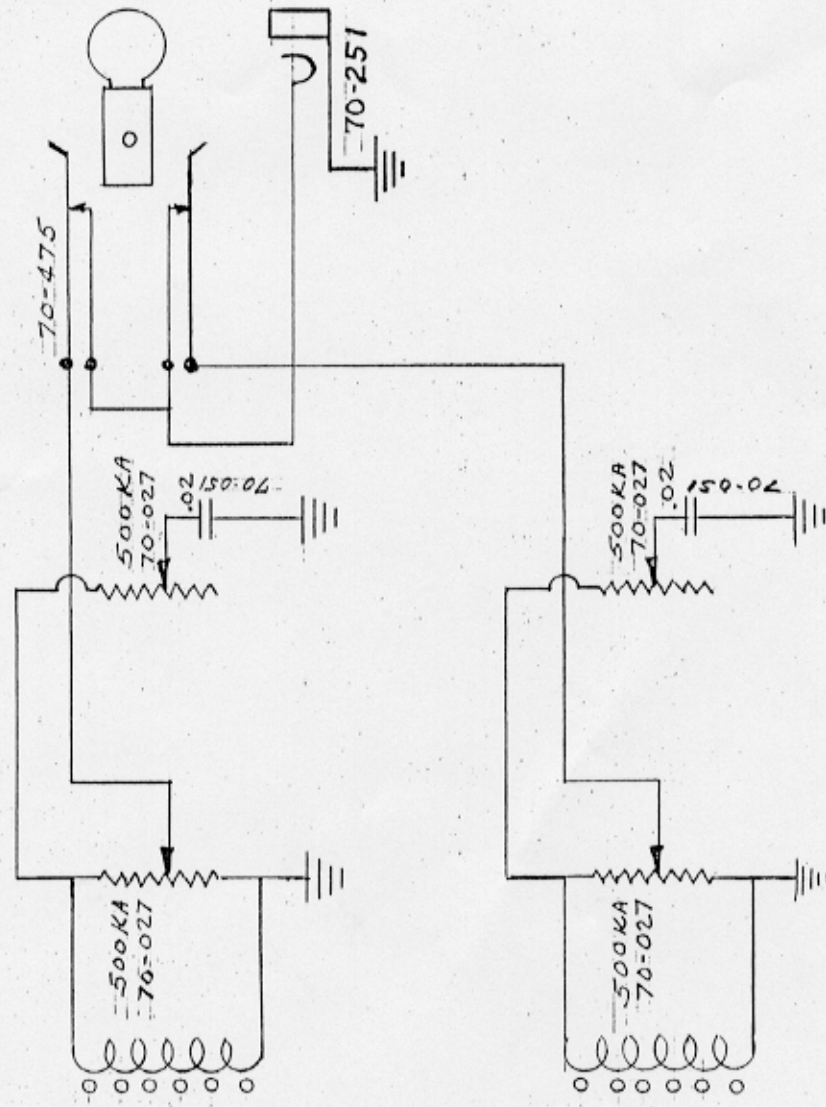


SOLID BODY
SG STANDARD
SG DELUXE
SG PRO
SG SPECIAL
FIREBIRD III
FIREBIRD V
L 5-S
AD-77 STD.
SG STUDIO
"THE SG" 9-5-77



NOTE:
 MODELS AFTER 7-1-73 USE
 300KA CONTROLS, GIBSON
 PART NO. 70-028. AFTER 1-1-76
 TONE CONTROLS ARE 70-035

LETTER	WAS	DATE	SCALE	GIBSON, INC.		PART NAME	C.P.A. ASSEMBLY-SCHEMATIC
				KALAMAZOO, MICH.			
				DATE 11-26-74			
				KIND MATERIAL			
				AMOUNT MATERIAL			