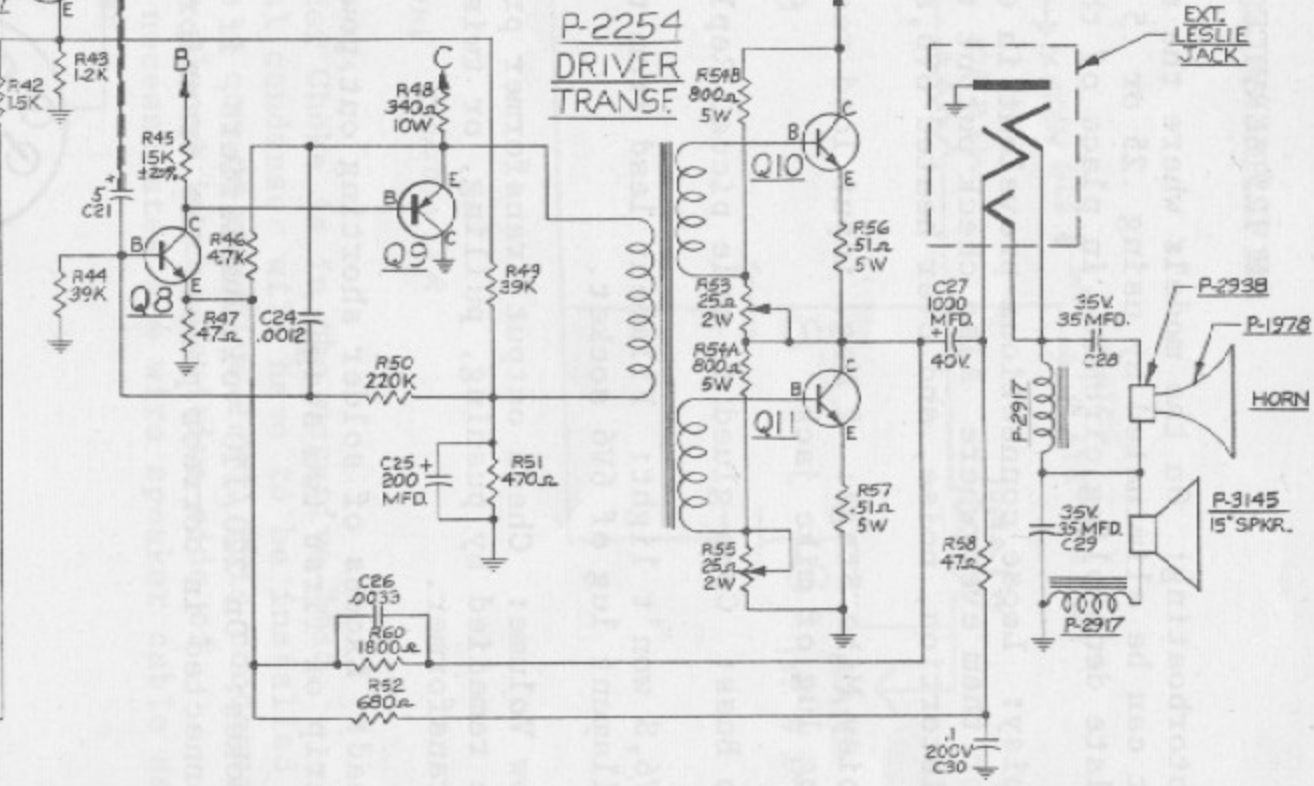
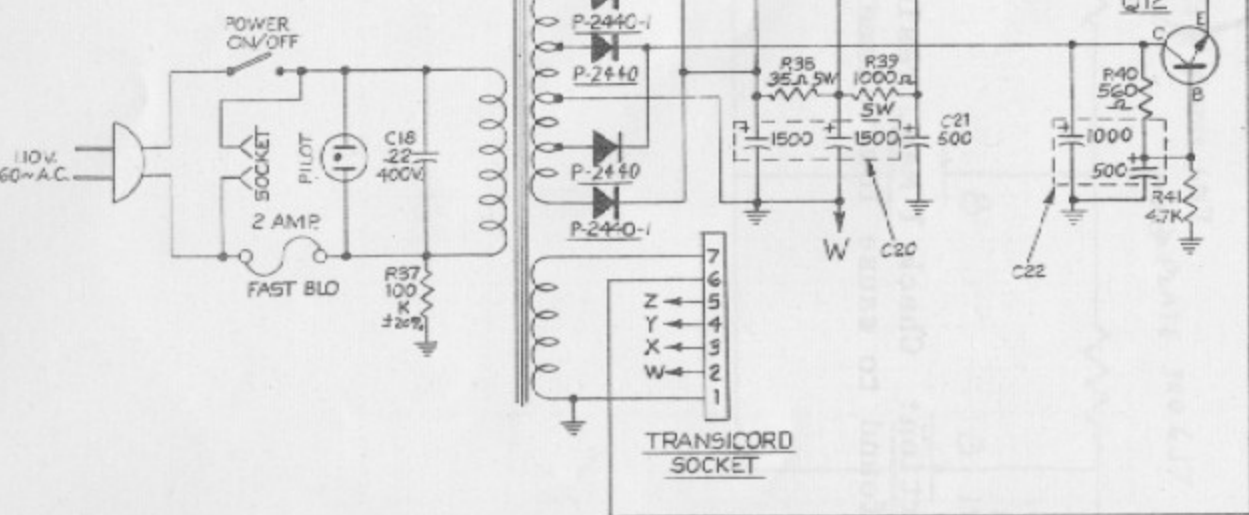


**NOTES:**  
 Q1, Q2, Q3, Q5, Q6, Q7, Q8 ARE P-229B  
 Q4 - P-3144  
 Q9 - P-8890  
 Q10 & Q11 - P-3139  
 Q12 - P-3172  
 ALL RESISTORS ± 0% UNLESS MARKED.  
 ALL CAPACITORS IN MFD UNLESS MARKED.

**P-3131  
POWER  
TRANSE**



**SCHEMATIC  
SABRE AMP**