

# **Gibson Goldtone**

## **SERVICE MANUAL NO. GG0004**

### **ISSUE 1**

**Date:** December 21<sup>st</sup> 2000  
**Product Code :** G-06  
**Model No :** Gibson Super Gold Tone 30RVH

**Issued by:**

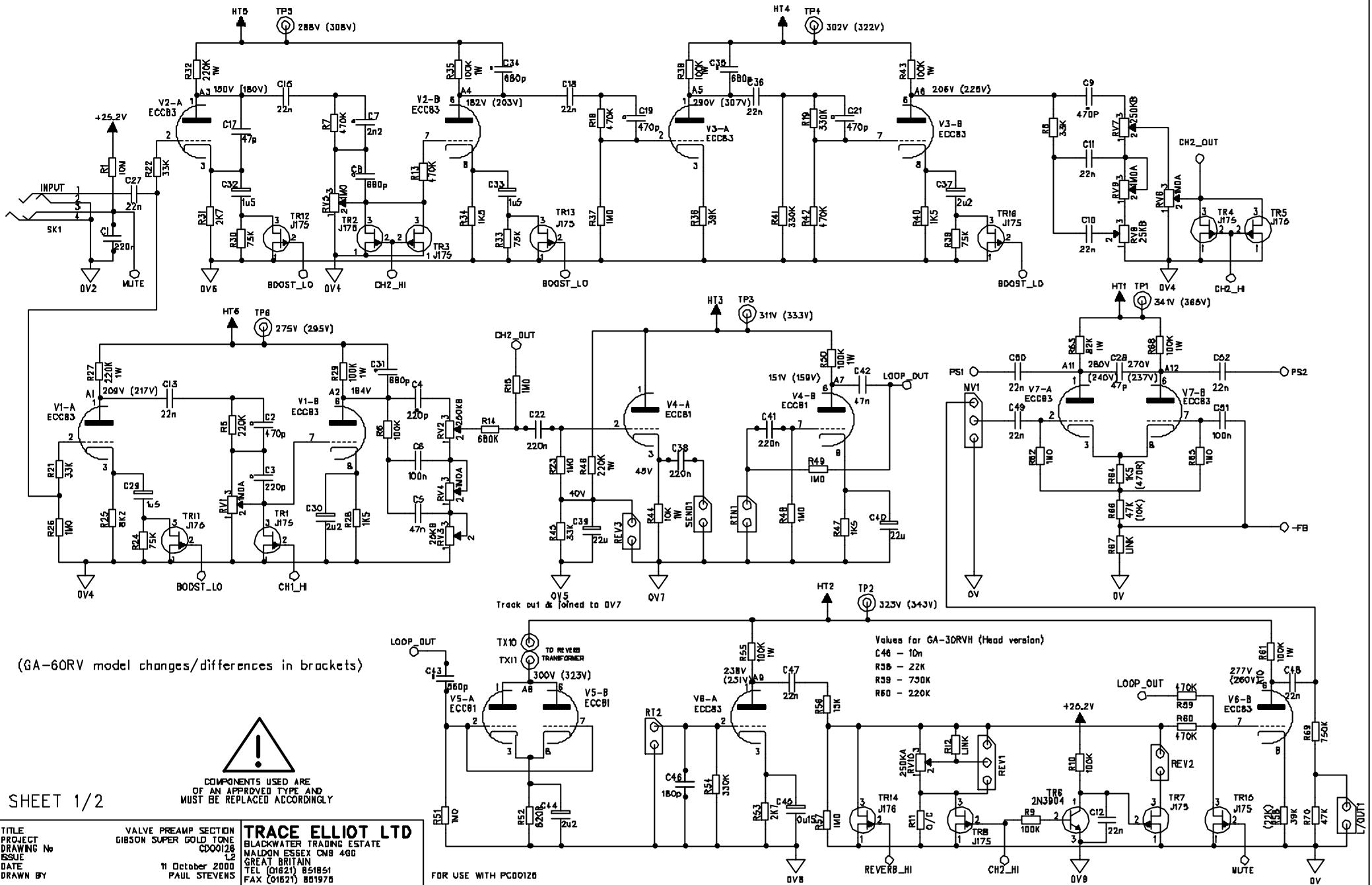
**Trace Elliot Limited.  
Blackwater Trading Estate  
The Causeway, Maldon  
Essex CM4 4GG.**

ISSUE CHANGE DATE	NOTE	ISSUE CHANGE DATE	NOTE	ISSUE CHANGE DATE	NOTE

# GIBSON SUPER GOLD TONE GUITAR AMPLIFIERS – MAIN PREAMP PCB

## FOR USE ON:- GA-30RV & GA-60RV

### PREAMP 1 & 2, LOOP, REVERB & PHASE SPLITTER



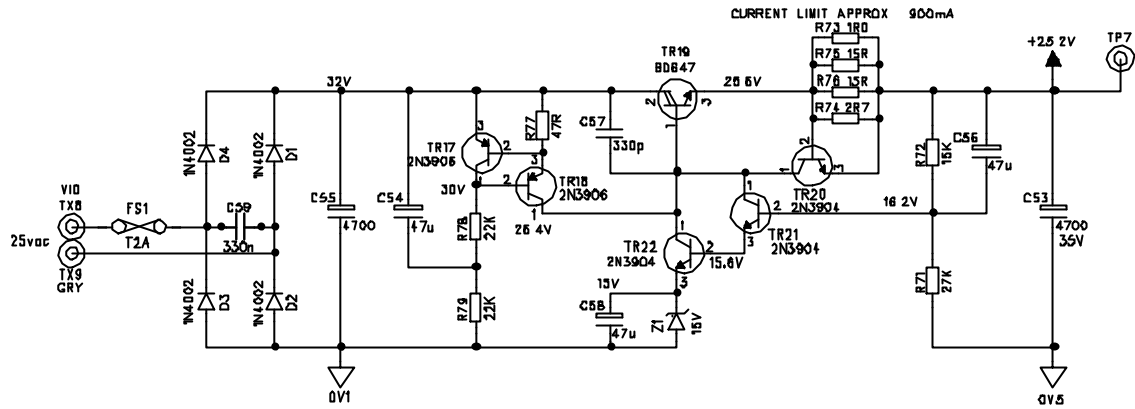
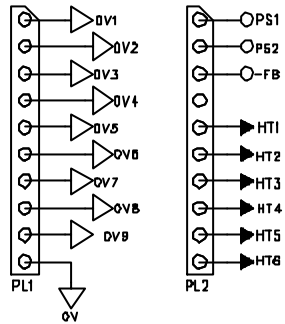
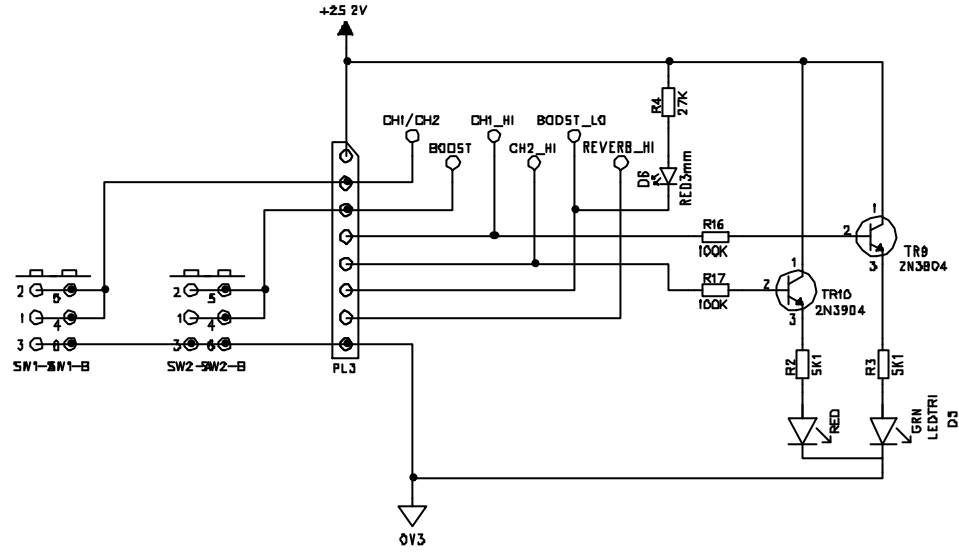
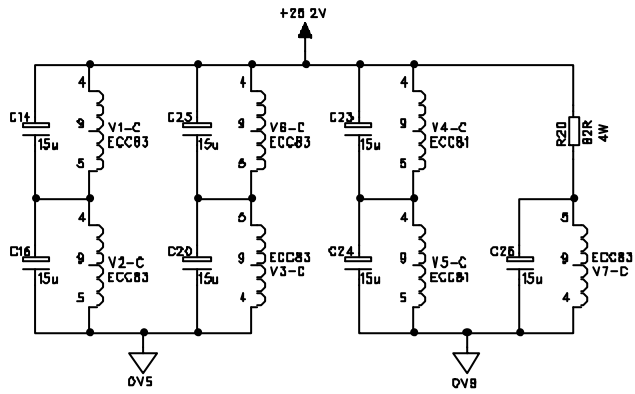
SHEET 1/2

  
 COMPONENTS USED ARE  
 OF AN APPROVED TYPE AND  
 MUST BE REPLACED ACCORDINGLY

TITLE	VALVE PREAMP SECTION	<b>TRACE ELLIOT LTD</b>
PROJECT	GIBSON SUPER GOLD TONE	BLACKWATER TRADING ESTATE
DRAWING No	C000128	NALDON ESSEX CM8 48D
ISSUE	12	GREAT BRITAIN
DATE	11 October 2000	TEL (01621) 851851
DRAWN BY	PAUL STEVENS	FAX (01621) 881970

FOR USE WITH PG0012B

ISSUE CHANGE NOTE DATE	ISSUE CHANGE NOTE DATE	ISSUE CHANGE NOTE DATE
ISSUE CHANGE NOTE DATE	ISSUE CHANGE NOTE DATE	ISSUE CHANGE NOTE DATE



SHEET 2/2

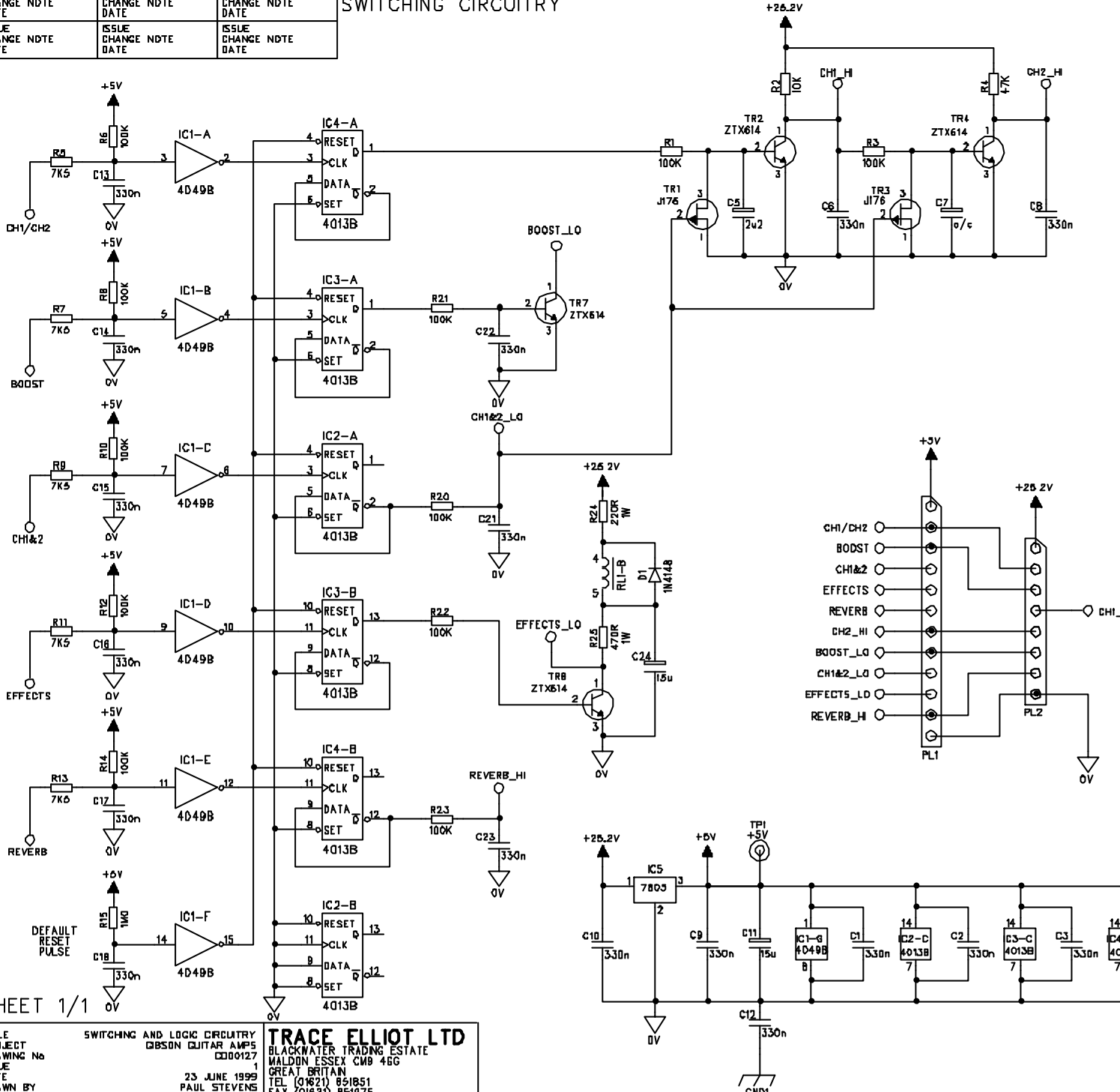
TITLE	HEATERS, SWITCHES & CONNECTIONS	<b>TRACE ELLIOT LTD</b>
PROJECT	GIBSON SUPER GOLD TONE	BLACKWATER TRADING ESTATE
DRAWING No	CDO0128	NALDON ESSEX CB8 49D
ISSUE	L2	GREAT BRITAIN
DATE	11 October 2000	TEL (01621) 851851
DRAWN BY	PAUL STEVENS	FAX (01621) 881970



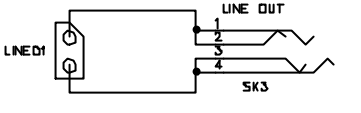
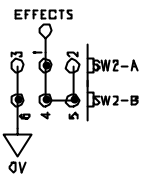
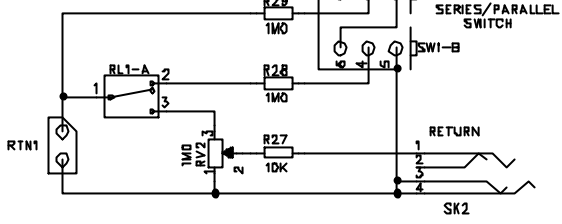
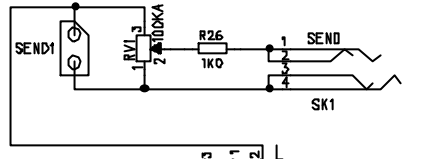
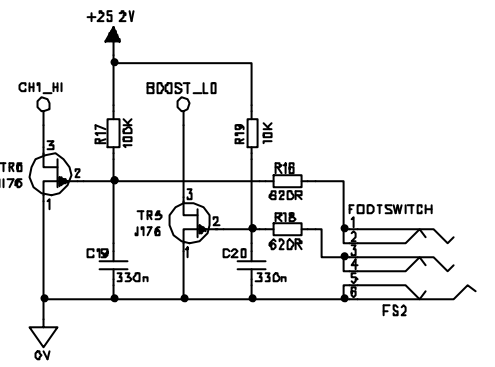
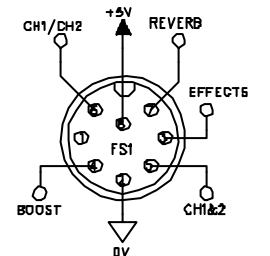
COMPONENTS USED ARE OF AN APPROVED TYPE AND MUST BE REPLACED ACCORDINGLY

ISSUE CHANGE N0TE DATE	ISSUE CHANGE N0TE DATE	ISSUE CHANGE N0TE DATE
ISSUE CHANGE N0TE DATE	ISSUE CHANGE N0TE DATE	ISSUE CHANGE N0TE DATE

# SWITCHING CIRCUITRY



**!**  
COMPONENTS USED ARE OF AN APPROVED TYPE AND MUST BE REPLACED ACCORDINGLY



SHEET 1/1

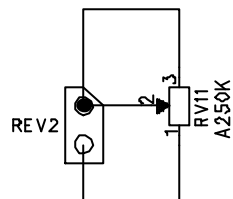
TITLE: SWITCHING AND LOGIC CIRCUITRY  
 PROJECT: GIBSON GUITAR AMPS  
 DRAWING No: 0000127  
 ISSUE: 1  
 DATE: 23 JUNE 1999  
 DRAWN BY: PAUL STEVENS

**TRACE ELLIOT LTD**  
 BLACKWATER TRADING ESTATE  
 MALDON ESSEX CM8 4EG  
 GREAT BRITAIN  
 TEL: (01821) 851851  
 FAX: (01621) 851975

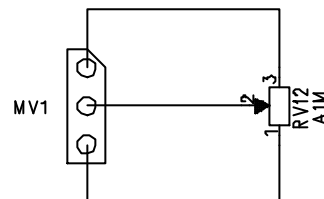
ISSUE CHANGE NOTE DATE	ISSUE CHANGE NOTE DATE	ISSUE CHANGE NOTE DATE
ISSUE CHANGE NOTE DATE	ISSUE CHANGE NOTE DATE	ISSUE CHANGE NOTE DATE

# REVERB 2 / MASTER VOLUME BOARD

FOR USE ON GIBSON Super 'GoldTone'



**REVERB 2**



**MASTER VOLUME**



COMPONENTS USED ARE  
OF AN APPROVED TYPE AND  
MUST BE REPLACED ACCORDINGLY

FOR USE WITH PC00128

CONNECTS TO:-

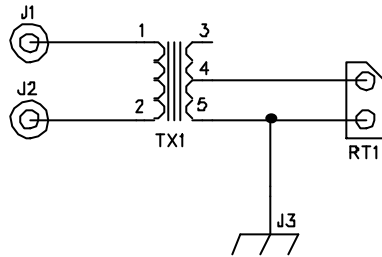
PC00126 CD00126 VALVE PREAMP

TITLE REVERB 2 & MASTER VOLUME BOARD  
PROJECT GIBSON Super 'GoldTone'  
DRAWING No CD00128  
ISSUE 1  
DATE 14 JULY 1999  
DRAWN BY PAUL STEVENS

**TRACE ELLIOT LTD**  
BLACKWATER TRADING ESTATE  
MALDON ESSEX CM9 4GG  
GREAT BRITAIN  
TEL (01621) 851851  
FAX (01621) 851975

ISSUE CHANGE NOTE DATE	ISSUE CHANGE NOTE DATE	ISSUE CHANGE NOTE DATE
ISSUE CHANGE NOTE DATE	ISSUE CHANGE NOTE DATE	ISSUE CHANGE NOTE DATE

# GIBSON SUPER GOLD TONE REVERB TRANSFORMER BOARD



COMPONENTS USED ARE  
OF AN APPROVED TYPE AND  
MUST BE REPLACED ACCORDINGLY

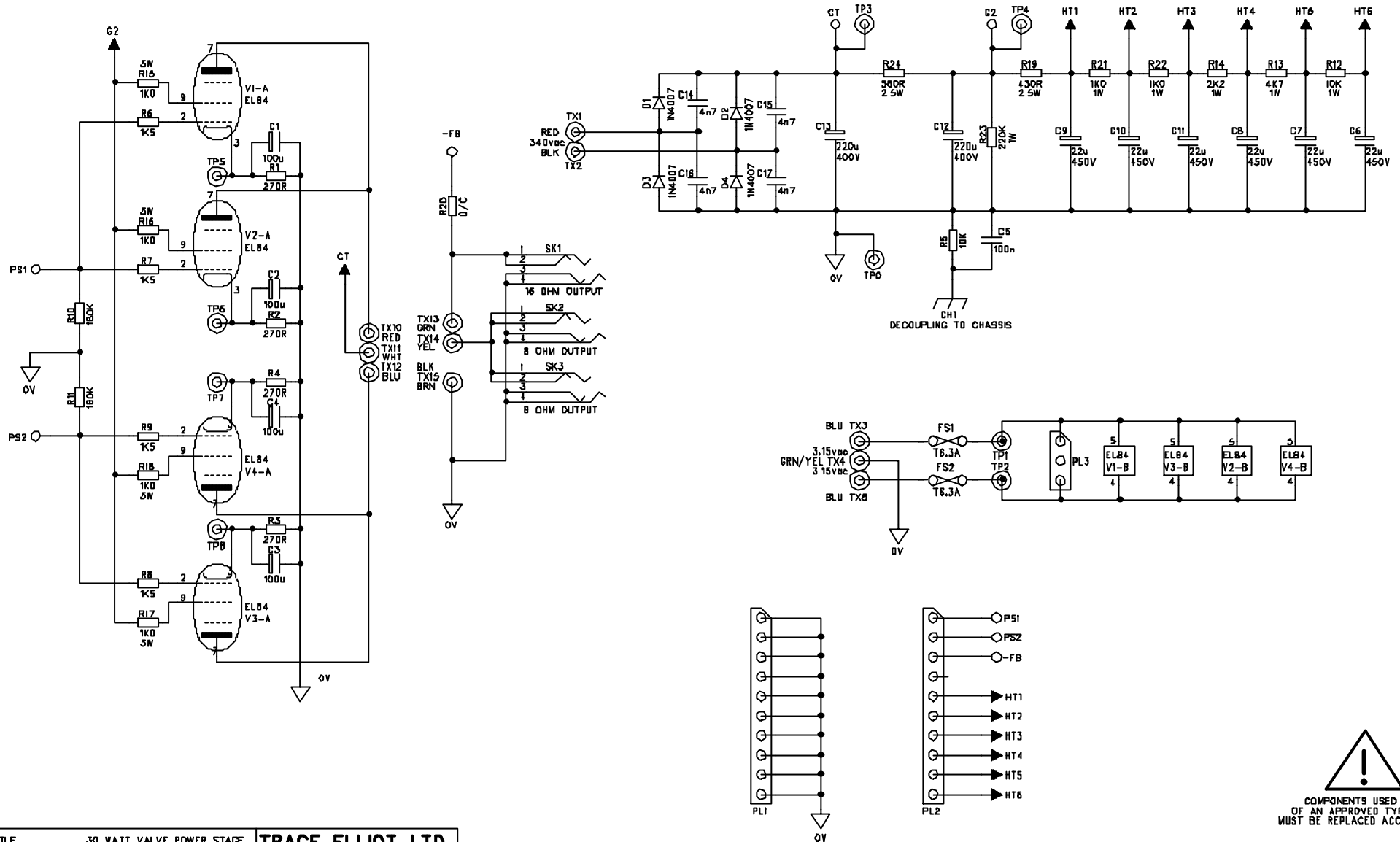
TITLE	REVERB TRANSFORMER BOARD	<b>TRACE ELLIOT LTD</b> BLACKWATER TRADING ESTATE MALDON ESSEX CM9 4GG GREAT BRITAIN TEL (01621) 851851 FAX (01621) 851975
PROJECT	GIBSON SUPER GOLD TONE	
DRAWING No	CD00132	
ISSUE	1	
DATE	11 JUNE 1999	
DRAWN BY	PAUL STEVENS	

FOR USE WITH PC00132

ISSUE CHANGE NOTE DATE	ISSUE CHANGE NOTE DATE	ISSUE CHANGE NOTE DATE
ISSUE CHANGE NOTE DATE	ISSUE CHANGE NOTE DATE	ISSUE CHANGE NOTE DATE

# GIBSON SUPER GOLD TONE

## 30 WATT VALVE OUTPUT STAGE



TITLE 30 WATT VALVE POWER STAGE  
 PROJECT GIBSON SUPER GOLD TONE  
 DRAWING No C000130  
 ISSUE 1.1  
 DATE 18 September 2000  
 DRAWN BY PAUL STEVENS

**TRACE ELLIOT LTD**  
 BLACKWATER TRADING ESTATE  
 WALDON ESSEX CB8 4QB  
 GREAT BRITAIN  
 TEL (01621) 851851  
 FAX (01621) 881970

FOR USE WITH PG00130



## C32-PCB-GA-30RVH

### GIBSON Super 'GoldTone' GA-30RVH Main Valve Preamp (C46 changed)

ISSUE 1.41 13/10/00 PS

Description	Part Code	Qty	Where Used
PCB	PC00126 issue 1	1	
	*** = formerly obsolete		(Part to be used when old part is used up)
<b>A.I. MACHINE</b>			
0 OHM LINK	72-RCZERO	2	R12 R67
1R0 1/4W	72-RM1R-1WATT	1	R73
2R7 1/4W	72-RM2R7	1	R74
15R 1/4W	72-RM15R***	2	R75 R76 (inform PS)
47R 1/4W	72-RM47R	1	R77
820R 1/4W	72-RM820R***	1	R52 (72-RM1K)
1K5 1/4W	72-RM1K5	5	R28 R34 R40 R47 R64
2K7 1/4W	72-RM2K7	2	R31 R53
5K1 1/4W	72-RM5K1***	2	R2 R3 (72-RM4K7)
8K2 1/4W	72-RM8K2	1	R25
10K 1W	72-RM10K-1WATT	1	R44
15K 1/2W carbon	72-RC15K-.5W***	2	R56 R72 (72-RM15K)
22K 1/2W carbon	72-RC22K-.5W***	3	R58 R78 R79 (72-RM22K)
27K 1/4W	72-RM27K	2	R4 R71
33K 1/4W	72-RM33K	4	R8 R21 R22 R45
39K 1/4W	72-RM39K	1	R36
47K 1/4W carbon	72-RC47K-.25W***	2	R66 R70 (72-RM47K)
75K 1/4W	72-RM75K***	4	R24 R30 R33 R39 (72-RM100K)
82K 1W	72-RM82K-1WATT	1	R63
100K 1/4W	72-RM100K	5	R6 R9 R10 R16 R17
100K 1W	72-RM100K-1WATT	8	R29 R35 R38 R43 R50 R55 R61 R68
220K 1/4W	72-RM220K	2	R5 R60
220K 1W	72-RM220K-1WATT	3	R27 R32 R46
330K 1/4W	72-RM330K	3	R19 R41 R54
470K 1/4W	72-RM470K	4	R7 R13 R18 R42
680K 1/4W	72-RM680K	1	R14
750K 1/4W	72-RM750K	2	R59 R69
1M0 1/4W	72-RM1M	10	R15 R23 R26 R37 R48 R49 R51 R57 R62 R65
10M 1/4W	72-RM10M	1	R1
22n 100V axial	72-C22N-100VCA	2	C12 C49
100n 100V axial	72-C100N-100VCA	1	C51
1N4002	72-D-IN4002	4	D1 D2 D3 D4
15V ZENER	72-D-BZX55C15V	1	Z1
NOT FITTED			R11
<b>Track Modification</b>			Cut track, topside, that runs below R40, R41 & R42. Link bottom end of R45 to REV3 Scrn (see Paul Stevens if in doubt)



<b>2<sup>nd</sup> STAGE</b>				
82R	4W resistor	72-RWW82R -4W	1	R20
47p	500V ceramic	72-C47P-500VCD	2	C17 C28
180p	100V ceramic	72-C180P-100VCD***	1	C46 (72-C150P-100VCA)
250p	500V slvr mica	72-C250P-500VSM	2	C3 C4
330p	100V ceramic	72-C330P-100VCD2**	1	C57 (72-C470P-50VCD)
560p	100V ceramic	72-C560P-100VCD***	1	C43 (72-C560P-100VCA)
470p	polystyrene	72-C470P-160VPA***	1	C2 (72-C500P-500VSM)
500p	500V slvr mica	72-C500P-500VSM	3	C9 C19 C21
1n0	500V slvr mica	72-C1000P-500VSM	4	C8 C31 C34 C35
2n2	1KV ceramic	72-C2200P-1KVCD	1	C7 (72-C2N2-400VP)
22n	400V poly box	72-C22N-400VP	11	C10 C11 C13 C15 C18 C27 C36 C47 C48 C50 C52
47n	400V poly box	72-C47N-400VP2	1	C5 C42
100n	250V poly box	72-C100N-250VP	1	C6
220n	63V poly box	72-C220N-63VP***	4	C1 C22 C38 C41 (72-C220N-50VCA)
330n	63V poly box	72-C330N-63VP***	1	C59 (72-C330N-50VCA)
0u15	35V tant	72-C0.15-35VT	1	C45
1u5	35V tant	72-C1.5-35VT	3	C29 C32 C33
2u2	63V elect rad	72-C2.2-63VER***	3	C30 C37 C44 (72-C2.2-35VT)
15u	63V elect axl	72-C15-40VEA***	7	C14 C16 C20 C23 C24 C25 C26 (72-C22-63VER)
22u	63V elect rad	72-C22-63VER	2	C39 C40
47u	63V elect rad	72-C47-63VER	3	C54 C56 C58
4700u	35V elect rad	72-CAP-470035V	2	C53 C55
<b>SEMICONDUCTORS</b>				
3mm TRI COLOUR LED		72-LED-TRI-3mm	1	D5
3mm RED LED		72-LED-RED-3mm	1	D6
J175		72-FET-J-175	12	TR1 TR2 TR3 TR4 TR5 TR7 TR8 TR11 TR12 TR13 TR15 TR16
J176		72-FET-J- <b>176</b>	1	TR14 NEW PART
2N3904		72-T2N3904	6	TR6 TR9 TR10 TR20 TR21 TR22
2N3906		72-T2N3906	2	TR17 TR18
<b>CONNECTORS</b>				
8 way 0.1"		72-HEAD-8W-2	1	PL3
10 way 0.1"		72-HEAD-10W	2	PL1 PL2
¼" Mono Jack SKT		72-SKT-JCKBNBG	1	SK1
5 way ribbon		72-LK-5W60L	1	REV2 / MV1
<b>PUSH SWITCHES</b>		73-SWT-F2UEE-MOM	2	SW1 SW2
<b>POTENTIOMETERS</b>				
25K	LIN	73-POT-B25K	2	RV3 RV8
250K	LOG	73-POT-A250K	1	RV10
250K	LIN	73-POT-B250K	2	RV2 RV7
1M0	LOG	73-POT-A1M	5	RV1 RV4 RV5 RV6 RV9
<b>CRIMP CONNECTORS</b>		72-CRIMP-PCB-TAB	4	TX8 TX9 TX10 TX11
<b>FUSE HOLDERS</b>		72-FUS-HLD-PCB-4	2	FS1 check orientation
<b>B9A PCB valve base</b>		73-VAL-SOCKET-G	7	V1 – V7 on underside of PCB
<b>BD647</b>		72-TBD647	1	TR19
TO220 HEATSINK		G13-HS-TO220-14H	1	TR19
M3 SCREW		71-SCR-M3X12PPB	1	Part of heat sink assembly
M3 WASHER		71-WAS-M3INTSP	1	Same as Speed Twin see drawing
M3 WASHER		71-WAS-M3ABLK	1	"
M3 NUT		71-NUT-M3ZINC	1	"
INSULATING KIT		72-MOS-PAD-TO220	1	"
Heat sink compound				Between TR19, heat sink & chassis

## C32-PCB-GA-30RV

### GIBSON Super 'GoldTone' GA-30RV Main Valve Preamp (Reverb/Sensitivity modifications)

ISSUE 1.4 21/9/00 PS

Description	Part Code	Qty	Where Used
PCB	PC00126 issue 1	1	
	*** = formerly obsolete		(Part to be used when old part is used up)
<b>A.I. MACHINE</b>			
0 OHM LINK	72-RCZERO	2	R12 R67
1R0 1/4W	72-RM1R-1WATT	1	R73
2R7 1/4W	72-RM2R7	1	R74
15R 1/4W	72-RM15R***	2	R75 R76 (inform PS)
47R 1/4W	72-RM47R	1	R77
820R 1/4W	72-RM820R***	1	R52 (72-RM1K)
1K5 1/4W	72-RM1K5	5	R28 R34 R40 R47 R64
2K7 1/4W	72-RM2K7	2	R31 R53
5K1 1/4W	72-RM5K1***	2	R2 R3 (72-RM4K7)
8K2 1/4W	72-RM8K2	1	R25
10K 1W	72-RM10K-1WATT	1	R44
15K 1/2W carbon	72-RC15K-.5W***	2	R56 R72 (72-RM15K)
22K 1/2W carbon	72-RC22K-.5W***	2	R78 R79 (72-RM22K)
27K 1/4W	72-RM27K	2	R4 R71
33K 1/4W	72-RM33K	4	R8 R21 R22 R45
39K 1/4W	72-RM39K	2	R36 R58
47K 1/4W carbon	72-RC47K-.25W***	2	R66 R70 (72-RM47K)
75K 1/4W	72-RM75K***	4	R24 R30 R33 R39 (72-RM100K)
82K 1W	72-RM82K-1WATT	1	R63
100K 1/4W	72-RM100K	5	R6 R9 R10 R16 R17
100K 1W	72-RM100K-1WATT	8	R29 R35 R38 R43 R50 R55 R61 R68
220K 1/4W	72-RM220K	1	R5
220K 1W	72-RM220K-1WATT	3	R27 R32 R46
330K 1/4W	72-RM330K	3	R19 R41 R54
470K 1/4W	72-RM470K	6	R7 R13 R18 R42 R59 R60
680K 1/4W	72-RM680K	1	R14
750K 1/4W	72-RM750K***	1	R69 (inform PS)
1M0 1/4W	72-RM1M	10	R15 R23 R26 R37 R48 R49 R51 R57 R62 R65
10M 1/4W	72-RM10M	1	R1
22n 100V axial	72-C22N-100VCA	2	C12 C49
100n 100V axial	72-C100N-100VCA	1	C51
1N4002	72-D-IN4002	4	D1 D2 D3 D4
15V ZENER	72-D-BZX55C15V	1	Z1
NOT FITTED			R11
<b>Track Modification</b>			Cut track, topside, that runs below R40, R41 & R42. Link bottom end of R45 to REV3 Scrn (see Paul Stevens if in doubt)

## C32-PCB-PC00127

### GIBSON Super 'GoldTone' rear board

ISSUE 1 10/5/00 PS

Description	Part Code	Qty	Where Used
PCB	PC00127 issue 1	1	
	*** = formerly obsolete		(Part to be used when old part is used up)
<b>A.I. MACHINE</b>			
220R 1W resistor	72-RM220R -1WATT	1	R24
470R 1W resistor	72-RM470R -1WATT	1	R25
620R 1/4W resistor	72-RM620R***	2	R16 R18 (72-RM1K0)
1K0 1/4W resistor	72-RM1K0	1	R26
7K5 1/4W resistor	72-RM7K5***	5	R5 R7 R9 R11 R13 (72-RM10K)
10K 1/4W resistor	72-RM10K	3	R2 R19 R27
47K 1/4W resistor	72-RM47K	1	R4
100K 1/4W resistor	72-RM100K	12	R1 R3 R6 R8 R10 R12 R14 R17 R20 R21 R22 R23
1M0 1/4W resistor	72-RM1M	3	R15 R28 R29
330n 50V axial	72-C330N-50VCA	20	C1 C2 C3 C4 C6 C8 C9 C10 C12 C13 C14 C15 C16 C17 C18 C19 C20 C21 C22 C23
1N4148	72-D-IN4148	1	D1
<b>2<sup>nd</sup> STAGE</b>			
<b>CAPACITORS</b>			
2u2 35V elect tant	72-C2.2-35VT	1	C5
15u 40V elect axial	72-C15-40VEA***	3	C11 C24 (72-C22-63VER)
NOT FITTED			C7
<b>SEMICONDUCTORS</b>			
7805 voltage regulator	72-IC-7805-REG	1	IC5
ZTX614 Darlington	72-TZTX614	4	TR2 TR4 TR7 TR8
J176 FET	72-FET-J- <b>176</b>	4	TR1 TR3 TR5 TR6
4049B -Hex Inverter	72-IC-4049B	1	IC1
4013B -Dual D Type	72-IC-4013B	3	IC2 IC3 IC4
<b>PLUGS/ SOCKETS</b>			
8 way 0.1"	72-HEAD-8W-2	1	PL2
12 way 0.1"	72-HEAD-12W	1	PL1
¼" Mono Jack SKT	72-SKT-JCKBNBG	3	SK1 SK2 SK3
¼" Stereo Jack SKT	72-SKT-JCKBBBG	1	FS2
8 pin DIN SKT PCB	73-SKT-DIN-8PIN	1	FS1
<b>SWITCHES</b>			
	73-SWT-F2UEE	1	SW1
	73-SWT-F2UEE-MOM	1	SW2
RELAY Omron G5V-1	73-RELAY-5V-SPCO	1	RL1
<b>POTENTIOMETERS</b>			
	73-POT-A100K	1	RV1
	73-POT-A1M	1	RV2

## C32-PCB-PC00128

### GIBSON Super 'GoldTone' Front Daughter Board

ISSUE 1 23/12/99 PS

Description		Part Code	Qty	Where Used
PCB		PC00128 issue 1	1	
POTENTIOMETERS				
250K	LOG	73-POT-A250K	1	RV11
1M0	LOG	73-POT-A1M	1	RV12

## C32-PCB-PC00130

### PARTS LIST FOR GIBSON 30W VALVE POWER BOARD

ISSUE 1 18/9/00 PS

Description	Part Code	Qty	Where Used
PCB	PC00130 issue 1	1	
	*** = formerly obsolete		(Part to be used when old part is used up)
<b>A.I. MACHINE</b>			
0 Ohm Link	72-RCZERO	1	R5
1K0 1W	72-RM1K0-1WATT	2	R21 R22
1K5 1/2W	72-RM1K5-.5W***	4	R6 R7 R8 R9 (72-RM1K5)
2K2 1W	72-RM2K2-1WATT	1	R14
4K7 1W	72-RM4K7-1WATT	1	R13
10K 1W	72-RM10K-1WATT	1	R12
180K 1/4W	72-RM180K	2	R10 R11
220K 1W	72-RM220K-1WATT	1	R23
1N4007 DIODES NOT FITTED	72-D-IN4007	4	D1 D2 D3 D4 R20 C5
<b>2<sup>nd</sup> STAGE</b>			
			n.b. Please insert all Wire Wounds with pre-formed legs
270R 5W	72-RWW270R-4W***	4	R1 R2 R3 R4
470R 2.5W	72-RWW430R-2.5W***	1	R19 (72-RWW390R-6W***) THEN (72-RWW470R-5W)
560R 2.5W	72-RWW560R-2.5W***	1	R24 (72-RWW470R-5W)
1K0 6W	72-RWW1K-6W	4	R15 R16 R17 R18 (72-RWW1K-5W)
4n7 1KV ceramic	72-C4700P-1KVCD	4	C14 C15 C16 C17
100u 63V elect axial	72-C100-63VEA***	4	C1 C2 C3 C4 (72-100-40VEA***) THEN (72-C100-63VER)
22u 450V elect rad	72-C22-450VER	6	C6 C7 C8 C9 C10 C11
220u 400V elect rad	72-CAP-220400V2	2	C12 C13
<b>CONNECTORS</b>			
3 way 0.1"	72-HEAD-3W-2	1	PL3
10 way 0.1"	72-HEAD-10W	2	PL1 PL2
JACK SOCKETS	73-SKT-JCKBNBG	3	SK1 SK2 SK3
CRIMP CONNECTORS	72-CRIMP-PCB-TAB	11	TX1-TX5 TX10-TX15
FUSE HOLDERS	72-FUS-HLD-PCB-4	4	FS1-FS2 (check orientation)
0V TEST POINT PIN	73-TERM-PIN	1	TP0
B9A PCB valve base	73-VAL-SOCKET-G	4	V1 V2 V3 V4 (underneath PCB)

## C32-PCB-PC00132x1

# GIBSON Super 'GoldTone' Reverb Transformer Board

ISSUE 1 23/12/99

PS

Description	Part Code	Qty	Where Used
	*** = formerly obsolete		
<b>PCB</b>	PC00132 issue 1	1	
<b>TRANSFORMER</b>	73-TRAN-BON/TRI***	1	TX1
<b>CRIMP CONNECTORS</b>	72-CRIMP-PCB-TAB	2	J1 J2