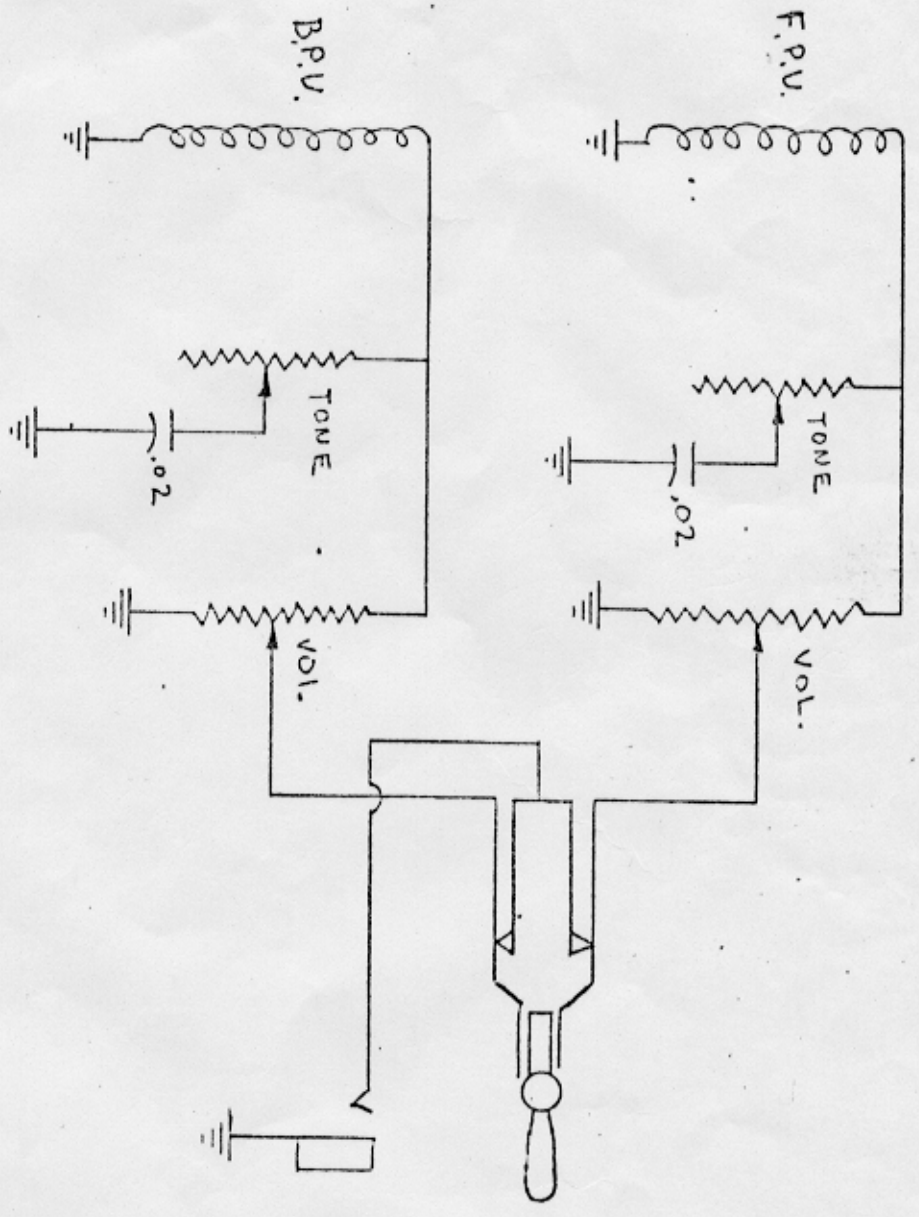


CUS. 0M



LETTER	WAS	DATE	SCALE
			NO. REQ.
			HEAT TREAT.
			FINISH
			DRAWN
			CHECKED

GIBSON, INC.
KALAMAZOO, MICH.

PART NAME	CPA
KIND MATERIAL	
AMOUNT MATERIAL	

ES-175 D
LS CES
SUPER D CES
S-400
ES-350
BYRDLNND