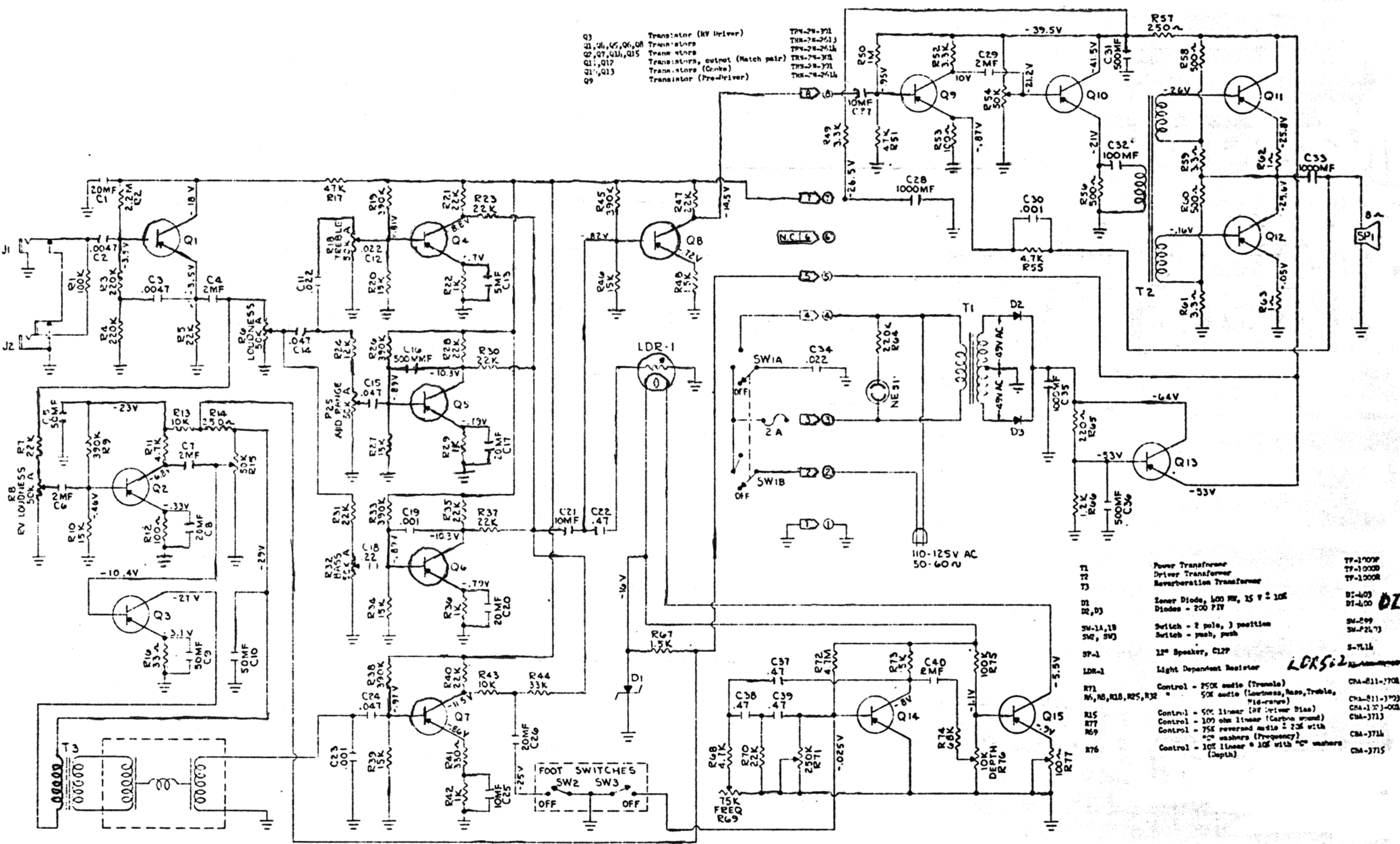


TR-1000RVT STARFIRE -Reverb/Tremolo



- Q3 Transistor (RV Driver)
- Q1, Q4, Q5, Q6, Q8 Transistors
- Q2, Q7, Q11, Q15 Transistors
- Q12, Q17 Transistors (Match pair)
- Q1, Q13 Transistors (Crake)
- Q9 Transistor (Pre-driver)
- T1, T2, T3 Transformer
- T1, T2 Transformer
- T3 Transformer
- T1 Transformer
- T2 Transformer
- T3 Transformer

- T1, T2, T3 Power Transformer
- T1, T2 Driver Transformer
- T1, T2 Reverbation Transformer
- Diode, 100 MW, 15 V ± 10% Zener Diode - 200 PIV
- SW-1A, 1B Switch - 2 pole, 3 position
- SW-2, SW-3 Switch - push, push
- SP-1 12" Speaker, C12P
- LDR-1 Light Dependent Resistor
- R71 Control - 250K audio (Tremolo)
- R6, R8, R18, R25, R32 Control - 50K audio (Lowness, Bass, Treble, "18-range")
- R15 Control - 50K linear (RV Driver Bias)
- R77 Control - 100 ohm linear (Carbon wound)
- R69 Control - 75K reverb audio - 25K with "C" washers (Frequency)
- R76 Control - 10K linear - 10K with "C" washers (Depth)
- T1-1000P
- T1-1000B
- T1-1000R
- DI-403
- DI-400
- SW-299
- SW-21, 73
- S-711b
- CHA-811-1708
- CHA-811-1703
- CHA-137-002
- CHA-3713
- CHA-3714
- CHA-3715

LDR-1

DI-403