

**General Description:** The EN<sub>3</sub> Electronic Notebook is a two-track transistorised battery-operated pocket dictating machine incorporating a reversible tape cassette which provides a total playing time of approximately 45 min. A direct tape drive is obtained by an arrangement of a secondary idler wheel and a rim-driven primary wheel driven from a D.C. motor—the mean tape speed is 1 $\frac{3}{4}$  i.p.s. One control is provided to record, switch off playback and rewind in that order. The control may be locked in the first three positions but pressure must be maintained for the duration of the rewind otherwise the control will return to the playback position.

Later models incorporate a locking device to prevent accidental operation of the control knob when the instrument is inserted into a pocket or briefcase. This obviates subsequent discharging of the batteries and the possibility of damage due to the leakage of electrolyte. Early models may be suitably modified, to provide a safety facility by the fitting of a special “split” control knob.

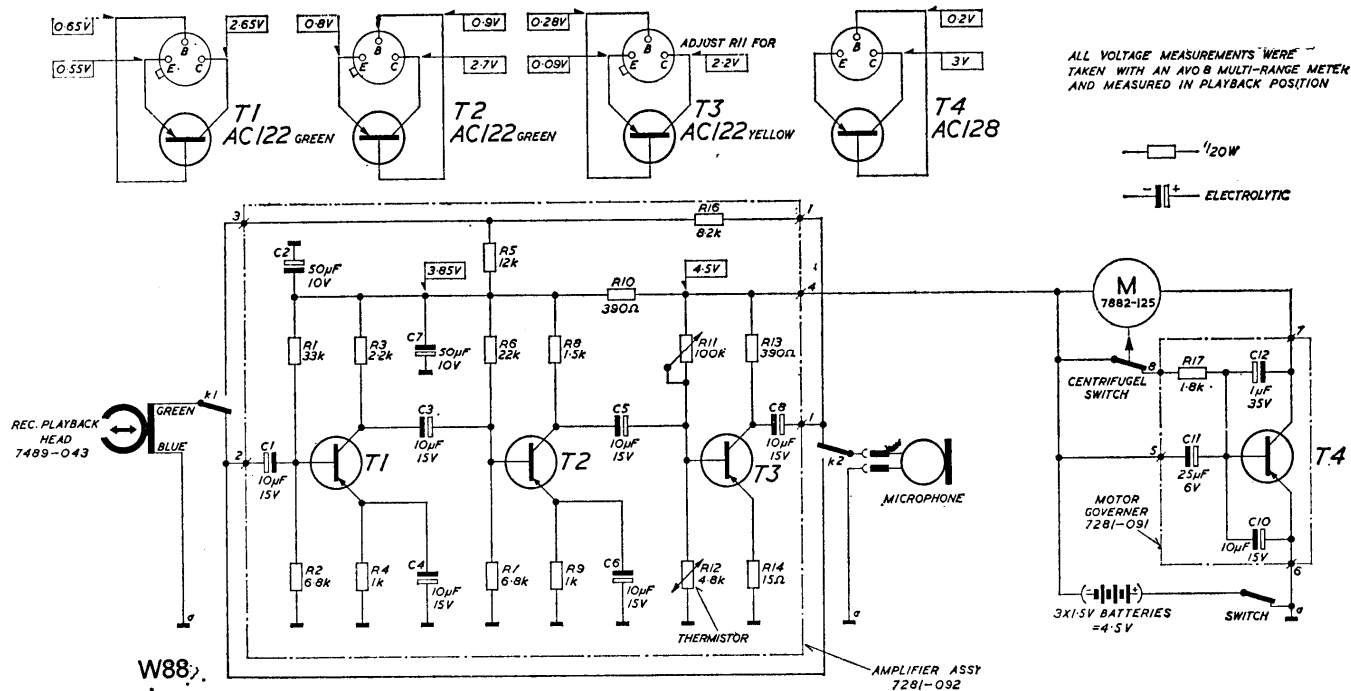
A small window in the cassette indicates movement of the tape and spool and there are identifying colours—red/white—to show which track is in use. Details concerning the recording can be inscribed, using a soft pencil, on the matt surface adjacent to the transparent window.

Power for the transistor amplifier and motor is provided by three Ever-Ready 1.5-volt U7 batteries (or equivalent).

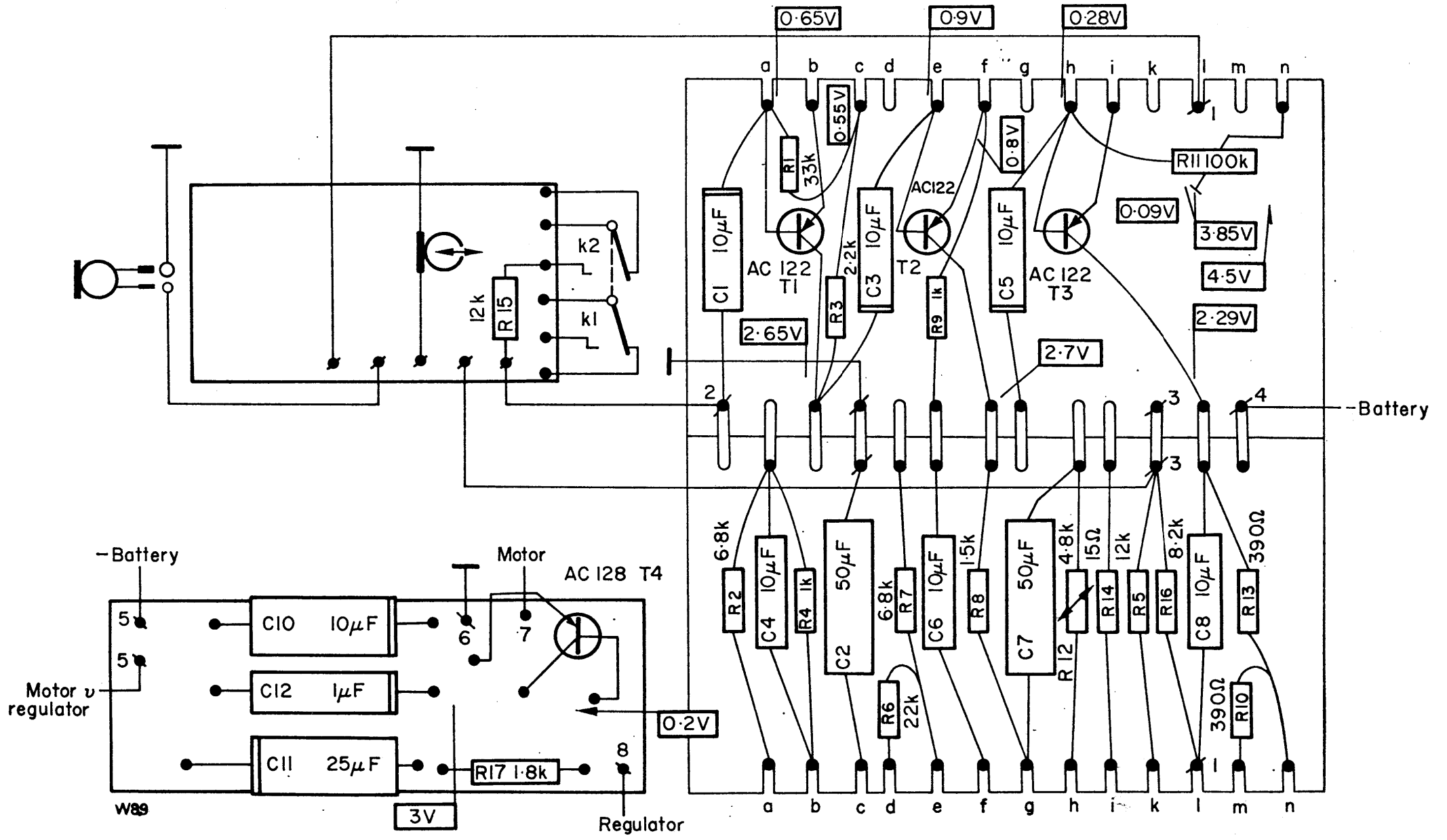
**Current Consumption:** Record—less cassette, 36 mA.  $\pm$  30 per cent. Rewind—less cassette, 44 mA.  $\pm$  20 per cent. Record/Playback—amplifier only, motor disconnected, 7.5 mA.  $\pm$  10 per cent.

**Voltage Measurements:** T<sub>3</sub> collector, 2.29 volts adjust with R<sub>11</sub>.

To test motor printed circuit panel substitute motor lead with a 22-ohm resistor and unsolder governor wire. T<sub>4</sub> collector voltages of T<sub>4</sub>. Governor wire disconnected not less than 3.5 volts. Governor wire connected not more than 0.2 volt.



CIRCUIT DIAGRAM EN<sub>3</sub>



PRINTED CIRCUIT LAY-OUT

202