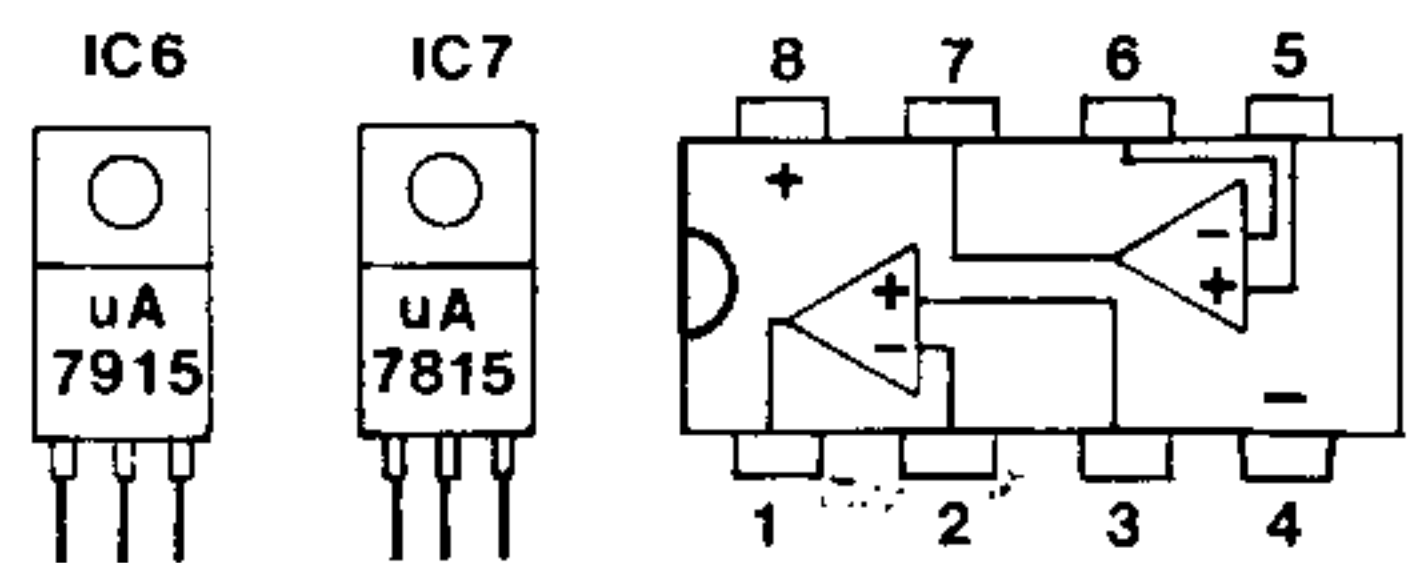


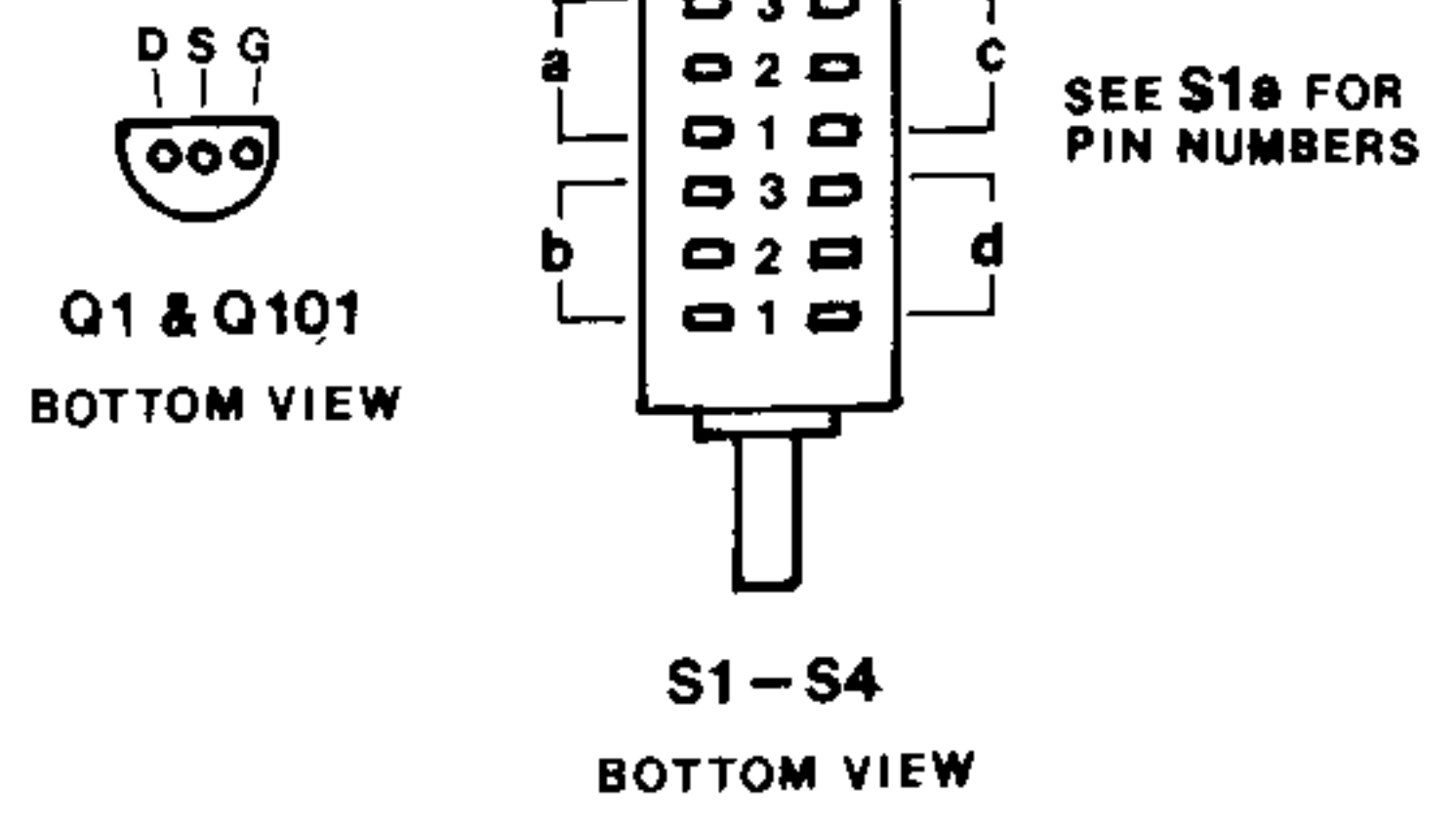
**NOTES:**  
 1 - Left channel shown. Right channel part numbers add 100.  
 2 - S2 shown depressed / TUNER selected.



# PREAMPLIFIER DH100

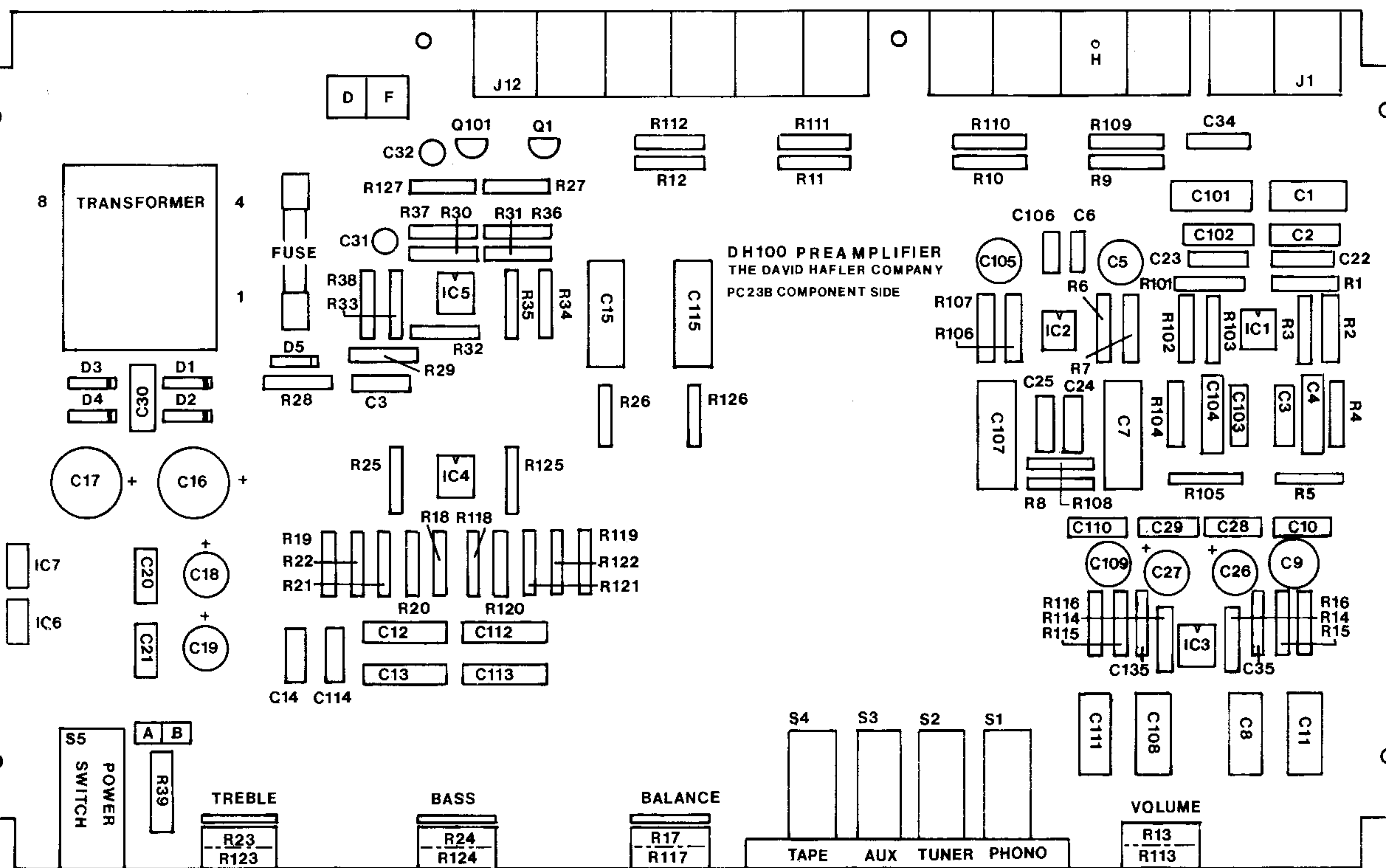
## SCHEMATIC DIAGRAM PC23B

### SERIES 2



120 VAC  
 50/60 HZ  
 580 WATTS  
 MAXIMUM

(The following resistors are metal film, 1/4W, 1% unless noted.)



Part No.	Description	Part No.
J1-J12	Jack, RCA phono type, single circuit	XP015
Q1,101	J112 muting FET	QN131
R1,101	47.5 K ohms	RM036
R2,102	12.1 K ohms	RM057
R3,103	316 ohms	RM015
R4,104	28.0 K ohms	RM053
R5,105	3.92 K ohms	RM054
R6,106	12.1 K ohms	RM057
R7,107	1.10 K ohms	RM025
R8-R11	1 megohm	RM044
R108-		
R111	1 megohm	RM044
R12,112	150 ohms	RM013
R13,113	Potentiometer, VOLUME, 2 X 50K audio taper	RP025
R14,114	274 K ohms	RM055
R15,115	10.0 K ohms	RM023
R16,116	1.10 K ohms	RM025
R17,117	Potentiometer, BALANCE, 2 X 50K linear taper	RP024
R18,118	22.1 K ohms	RM035
R19,119	4.75 K ohms	RM052
R20,120	1.10 K ohms	RM025
R21,121	1.10 K ohms	RM025
R22,122	4.75 K ohms	RM052
R23,123	Potentiometer, TREBLE, 2 X 25K, special taper	RP023
R24,124	Potentiometer, BASS, 2 X 25K, special taper	RP023
R25,125	22.1 K ohms	RM035
R26,126	150 ohms	RM013
R27,127	1000 ohms, carbon film, 5%	RC015
R28,29	470 K ohms, carbon film, 5%	RC044
R30	10 K ohms, carbon film, 5%	RC016
R31	39 K ohms, carbon film, 5%	RC038
R32	2.2 megohms, carbon film, 5%	RC028
R33	270 ohms, carbon film, 5%	RC029
R34,35	100 K ohms, carbon film, 5%	RC017
R36	4.7 K ohms, carbon film, 5%	RC042
R37	1.8 K ohms, carbon film, 5%	RC023
R38	390 K ohms, carbon film, 5%	RC057
R39	2.7 K ohms, carbon film, 1/2 Watt, 5%	RD124
S1-S4	Switch, Selector assembly, Non-shorting	SA117
S5	Switch, POWER, Push-push type. SPST	SL113
T1	Transformer, 120VAC Primary alternate 220VAC Primary	TA126 TA127

## H100 COMPONENT LIST

Part No.	Description	Part No.	Description	Part No.
0101	Capacitor, polycarbonate. 1.0 MFD/100V	CC126	C22,23	Capacitor, polypropylene. 0.033 MFD/160V
0102	Capacitor, polypropylene. 120 pFD/160V	CP112	C24,25	Capacitor, polypropylene. 0.033 MFD/160V
0103	Capacitor, polypropylene. 0.027 MFD/160V	CP141	C26,27	Capacitor, electrolytic. 470 MFD/25V
0104	Capacitor, polypropylene. 0.08 MFD/160V	CP142	C28,29	Capacitor, polypropylene. 0.033 MFD/160V
0105	Capacitor, electrolytic, NP. 220 MFD/10V	CN112	C30	Capacitor, ceramic disk. 0.005 MFD/1000V
0106	Capacitor, polypropylene. 0.033 MFD/160V	CP138	C31,32	Capacitor, electrolytic, NP. 4.7 MFD/25V
0107	Capacitor, polypropylene. 2.2 MFD/100V	CP115	C33	Capacitor, polypropylene. 0.033 MFD/160V
0108	Capacitor, polycarbonate. 1.0 MFD/100V	CC126	C34	Capacitor, ceramic disk. 0.005 MFD/1000V
0109	Capacitor, electrolytic, NP. 220 MFD/10V	CN112	C35,135	Capacitor, polypropylene. 47 pFD
0110	Capacitor, polypropylene. 0.033 MFD/160V	CP138	D1-D5	Diode, 1N4003
0111	Capacitor, polycarbonate. 1.0 MFD/100V	CC126	D6	LED, red, nipple tip
02112	Capacitor, polypropylene. 0.1 MFD/1%/160V	CP143	F1	Fuse, 1/16 A. (slo-blo)
03113	Capacitor, polypropylene. 0.1 MFD/1%/160V	CP143	IC1-IC4	Operational Amplifier, MC33078/5532
04114	Capacitor, polypropylene. 0.01 MFD/1%/160V	CP139	IC5	Dual Comparator, LM393
05115	Capacitor, polypropylene. 2.2 MFD/100V	CP115	IC6	Regulator, negative, 7915
06117	Capacitor, electrolytic. 1000 MFD/50V	CL124	IC7	Regulator, positive, 7815
08119	Capacitor, electrolytic. 470 MFD/25V	CL111		
09121	Capacitor, polypropylene. 0.033 MFD/160V	CP138		