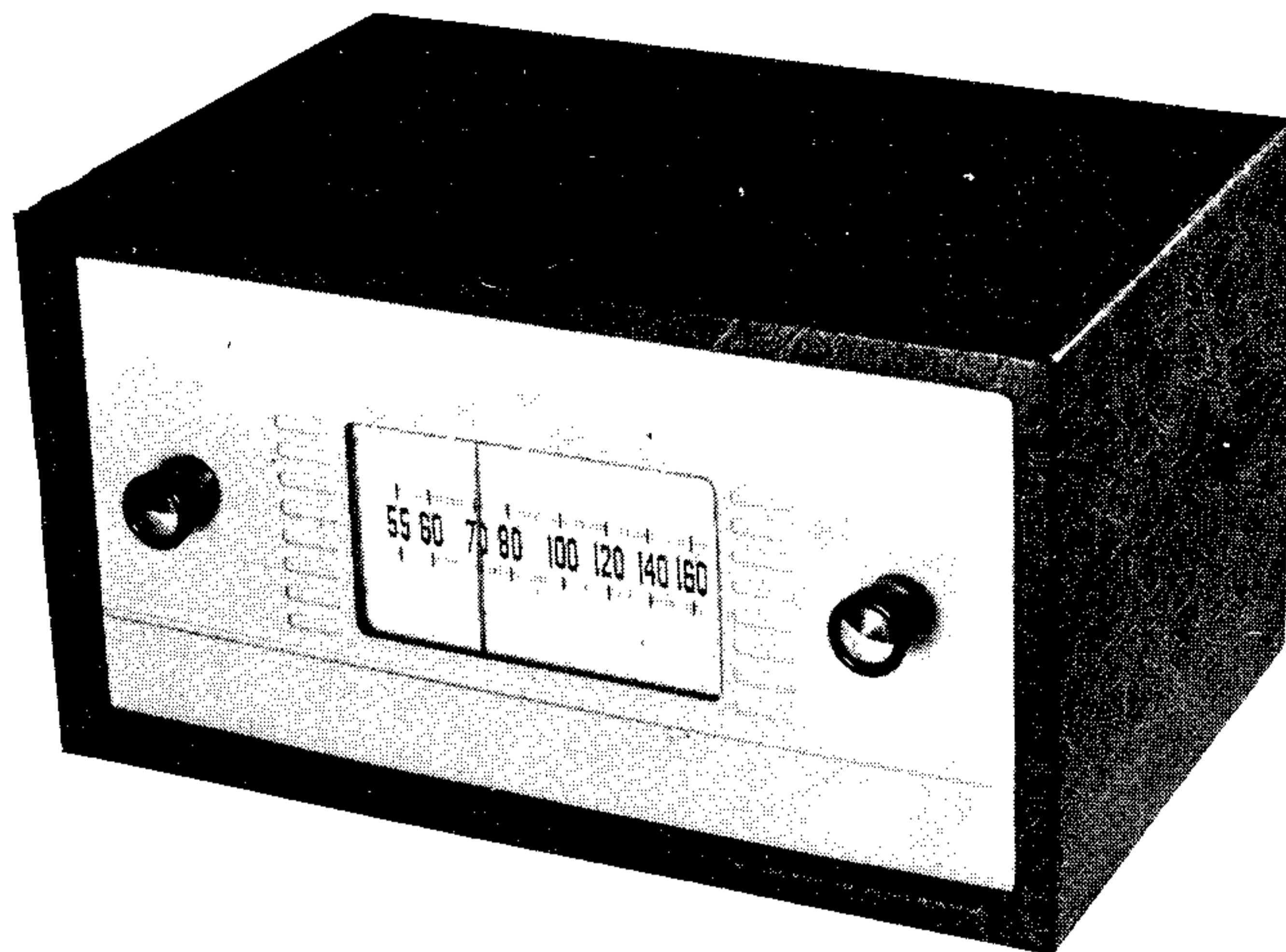


HEATHKIT BROADCAST BAND RECEIVER

MODEL BR-2

WWW.VINTAGE-RADIO.INFO



SPECIFICATIONS

Radio

Tuning Range.....	550 kc to 1620 kc
I. F. Frequency.....	455 kc
Antenna.....	Built-in High Sensitivity Rod Type
Speaker (included).....	5 1/2" PM 4 ohm Voice Coil

Tuner Operation

Output.....	High impedance to any amplifier input with resistance of 100,000 ohms or more. 110 V outlet provided for amplifier, phono player, etc.
-------------	--

Phonograph

Input.....	1 megohm high impedance for optimum performance with any good quality crystal or ceramic phono pickup.
------------	--

Tube Complement.....

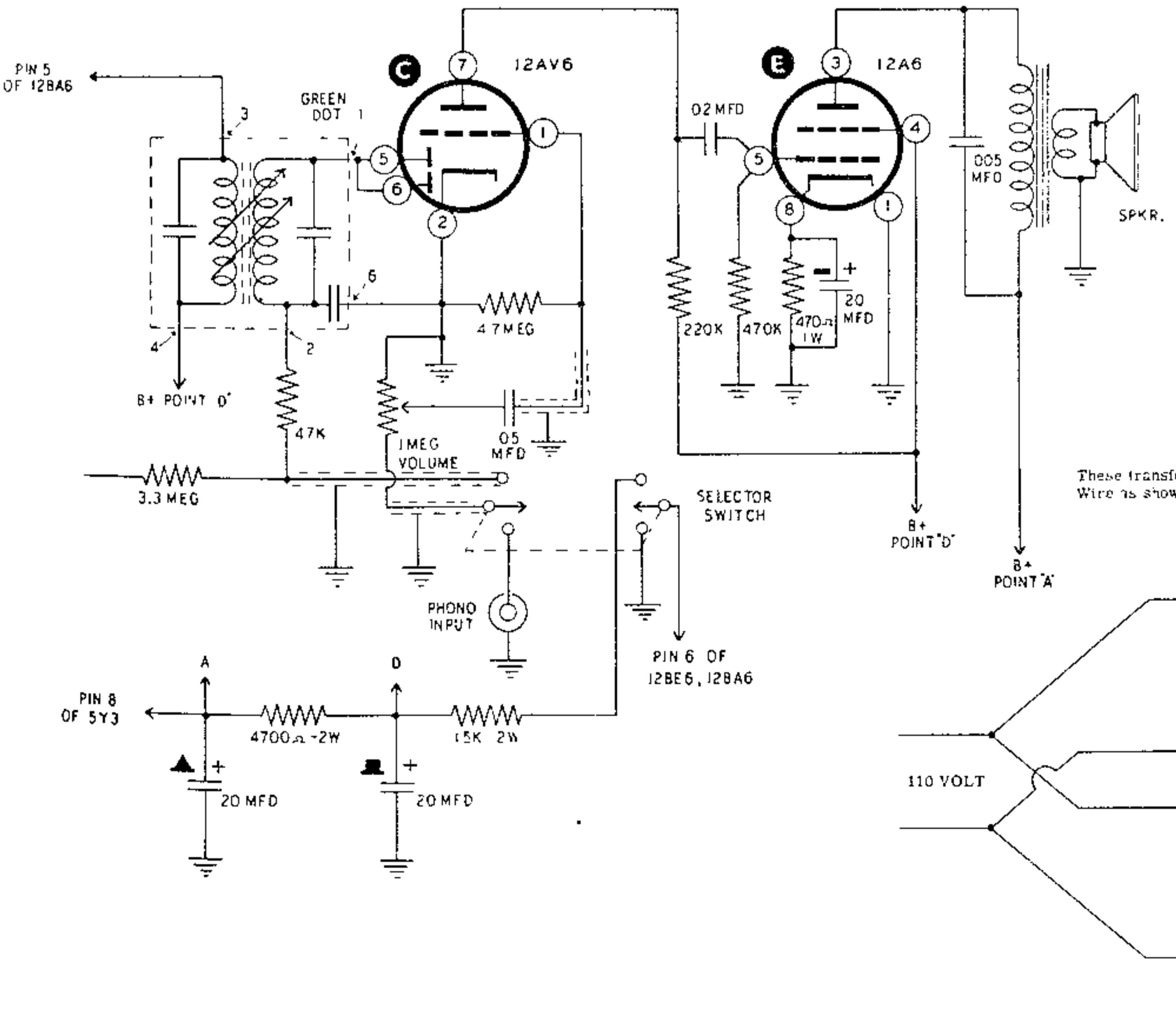
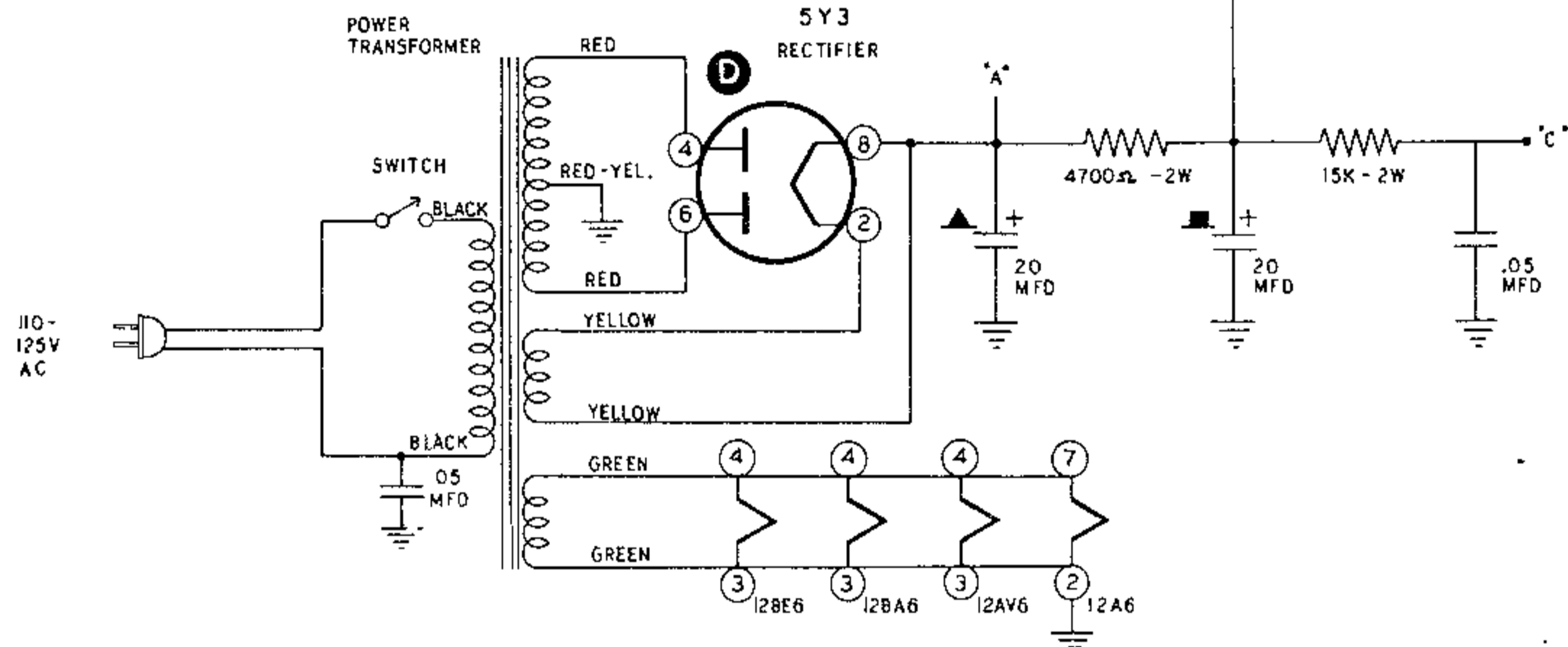
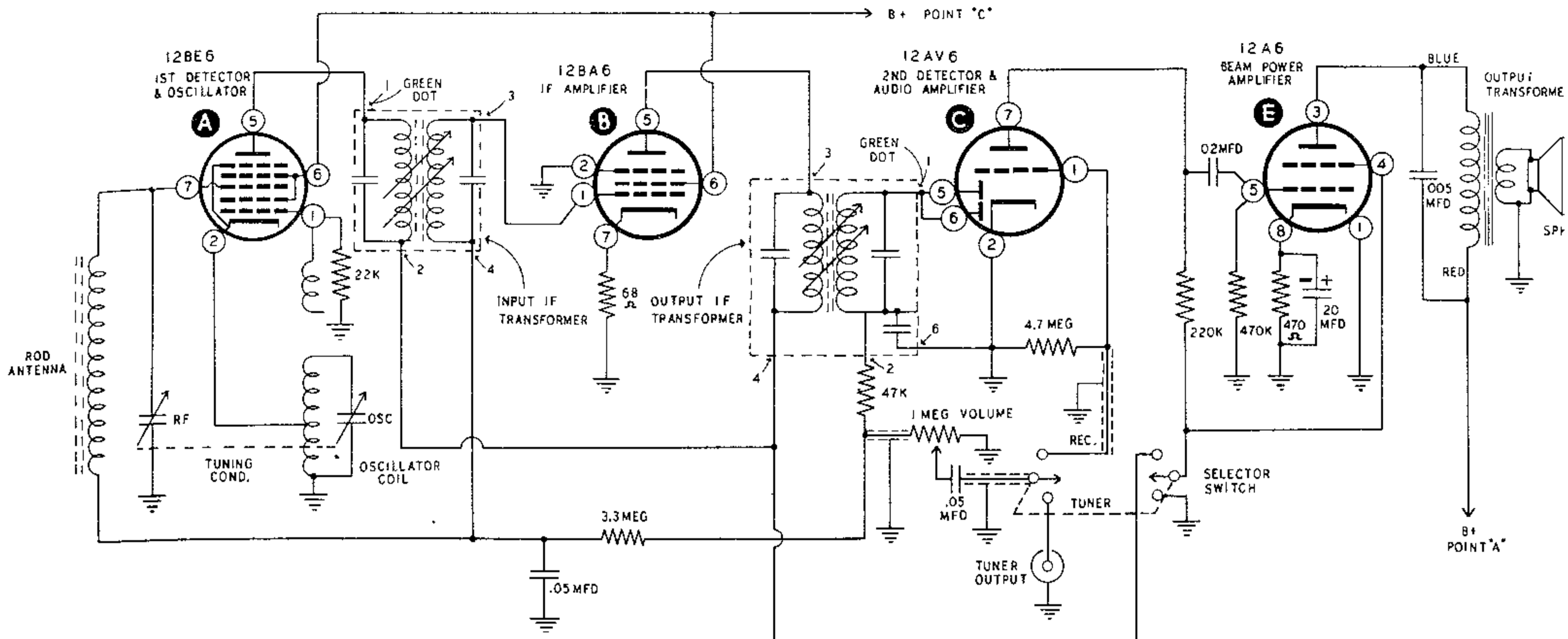
- 1 - 5Y3 Rectifier
- 1 - 12A6 Beam Power Amplifier
- 1 - 12AV6 Detector, A.V.C. and Audio Amplifier
- 1 - 12BA6 I. F. Amplifier
- 1 - 12BE6 Pentagrid Converter

Power Requirements.....

105-125 V 50-60 cycles AC 40 watts

Dimensions.....

11 1/2" wide, 5 3/4" high, 6 3/4" deep



WIRING OF EXPORT TYPE
110/220 VOLT POWER
TRANSFORMERS

These transformers have a dual primary for use on either 110 Volts or 220 Volts. Wire as shown

