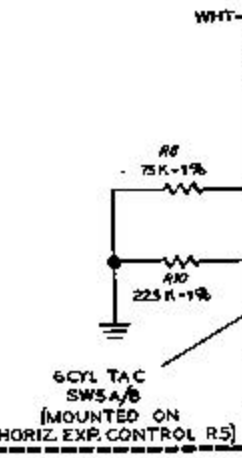


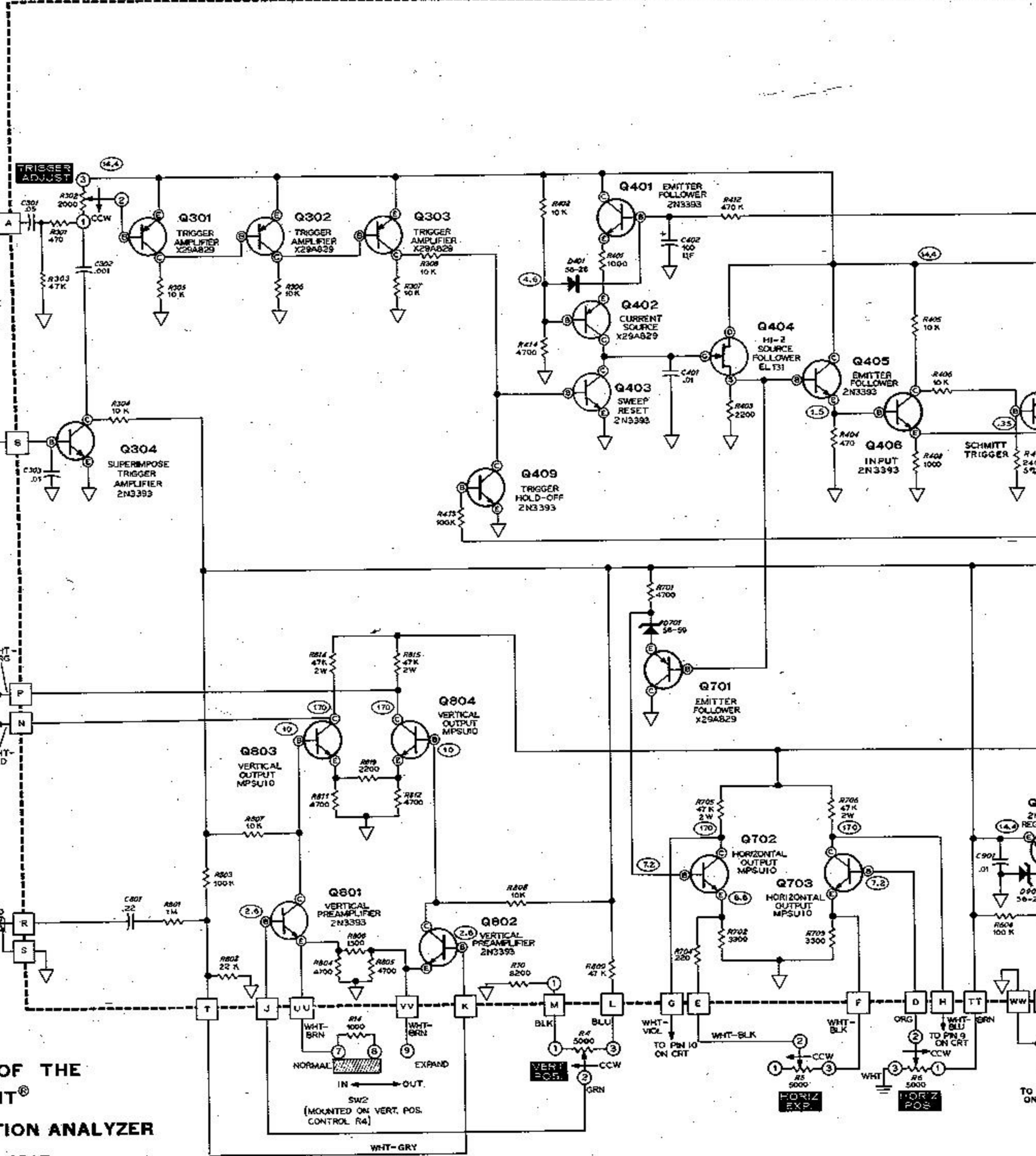
NOTES:

- RESISTORS ARE 1/2 WATT UNLESS MARKED OTHERWISE. RESISTOR VALUES ARE IN OHMS (K-1000, M-1,000,000).
- CAPACITOR VALUES LESS THAN 1 ARE IN μ F. CAPACITOR VALUES 1 OR ABOVE ARE IN pF UNLESS MARKED OTHERWISE.
- VOLTAGE MEASUREMENTS WERE TAKEN USING A HIGH INPUT IMPEDANCE VOLTMETER FROM THE POINT INDICATED TO CHASSIS GROUND. VOLTAGES MAY VARY $\pm 20\%$. MEASUREMENTS OBTAINED WITH SELECTOR SWITCH (SW 1) IN CAL POSITION.
- ALL PARTS WITHIN THE DASHED LINE AREA ARE MOUNTED ON THE CIRCUIT BOARD.
- SELECTOR SWITCH SW1 SHOWN IN CALIBRATE POSITION AND VIEWED FROM WAFER END OF SWITCH.
- SWITCH SW4 SHOWN IN LOW POSITION.
- SWITCH SW6 SHOWN IN ON POSITION.
- SWITCHES SW2, SW3, AND SW5 SHOWN IN PUSHED-IN POSITION.
- THIS SYMBOL INDICATES A DC VOLTAGE MEASURED FROM THE POINT INDICATED TO CHASSIS GROUND.
- THIS SYMBOL INDICATES A NEGATIVE HIGH VOLTAGE MEASURED FROM THE POINT INDICATED TO CHASSIS GROUND. (CAUTION: HIGH VOLTAGE)
- THIS SYMBOL INDICATES CIRCUIT GROUND (COMMON FOIL) ON CIRCUIT BOARD.
- THIS SYMBOL INDICATES CHASSIS GROUND.
- THIS SYMBOL INDICATES CIRCUIT BOARD WIRE CONNECTING POINTS.
- ARROW ON CONTROL INDICATES COUNTERCLOCKWISE ROTATION AS VIEWED FROM SHAFT END OF CONTROL.

SCHEMATIC OF THE
HEATHKIT®
SOLID-STATE IGNITION ANALYZER
MODEL CO-1015



LUG END VIEW OF PICKUP CABLE CONNECTOR SOCKET



**SCHEMATIC OF THE
HEATHKIT®
SOLID-STATE IGNITION ANALYZER
MODEL CO-1015**

