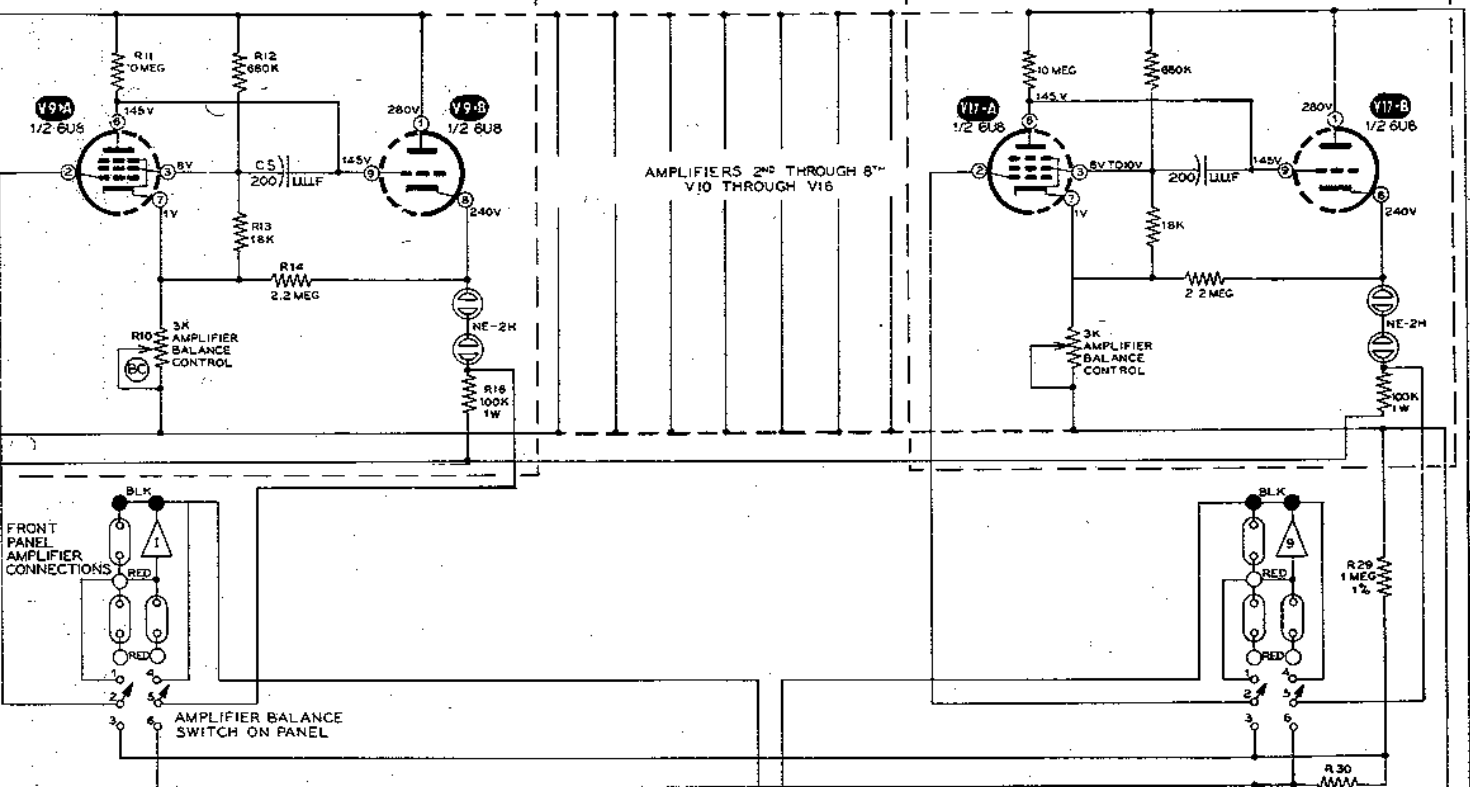


SCHEMATIC
HEATHKIT EDUCATIONAL ELECTRONIC
ANALOG COMPUTER
MODEL EC-1

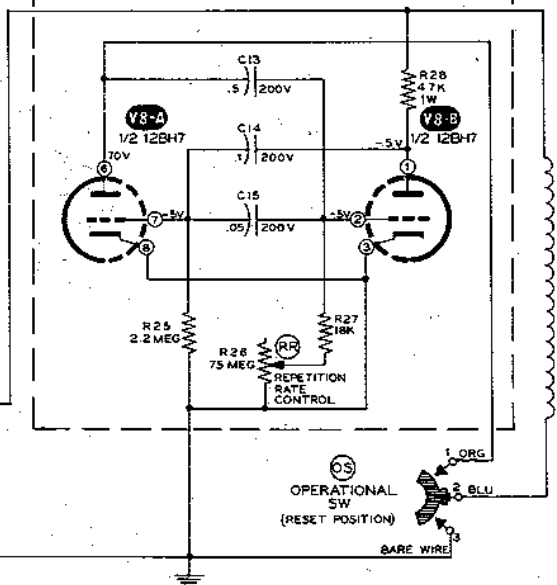
OPERATIONAL AMPLIFIER #1

OPERATIONAL AMPLIFIER #9

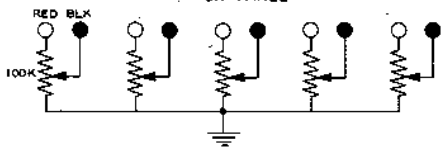
AMPLIFIERS 2ND THROUGH 8TH
V10 THROUGH V16



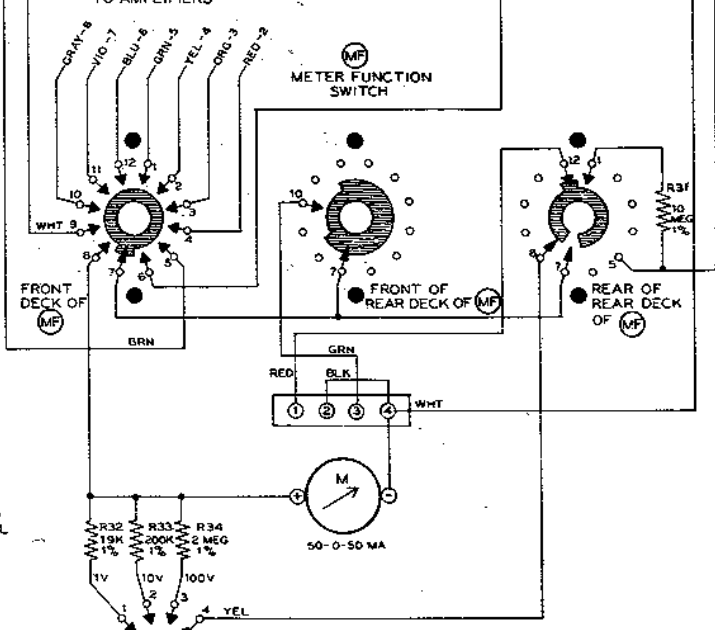
REPETITIVE OSCILLATOR



COEFFICIENT POTENTIOMETERS
ON PANEL



TO AMPLIFIERS



ALL SWITCHES VIEWED FROM THE REAR.

ALL RESISTANCE IN OHMS, WITH 1000 = K
AND 1,000,000 = M.

ALL RESISTORS 1/2 WATT UNLESS OTHERWISE
SPECIFIED.

ALL CAPACITANCE IN MICROFARADS UNLESS
OTHERWISE SPECIFIED.

ALL VOLTAGES MEASURED WITH RESPECT TO
CHASSIS GROUND EXCEPT INITIAL CONDITION
POWER SUPPLIES WHICH ARE MEASURED WITH
RESPECT TO THE NEGATIVE OF THE POWER
SUPPLY.

NO FEEDBACK RESISTORS USED ON AMPLIFIER

**SCHEMATIC
HEATHKIT EDUCATIONAL ELECTRONIC
ANALOG COMPUTER
MODEL EC-1**