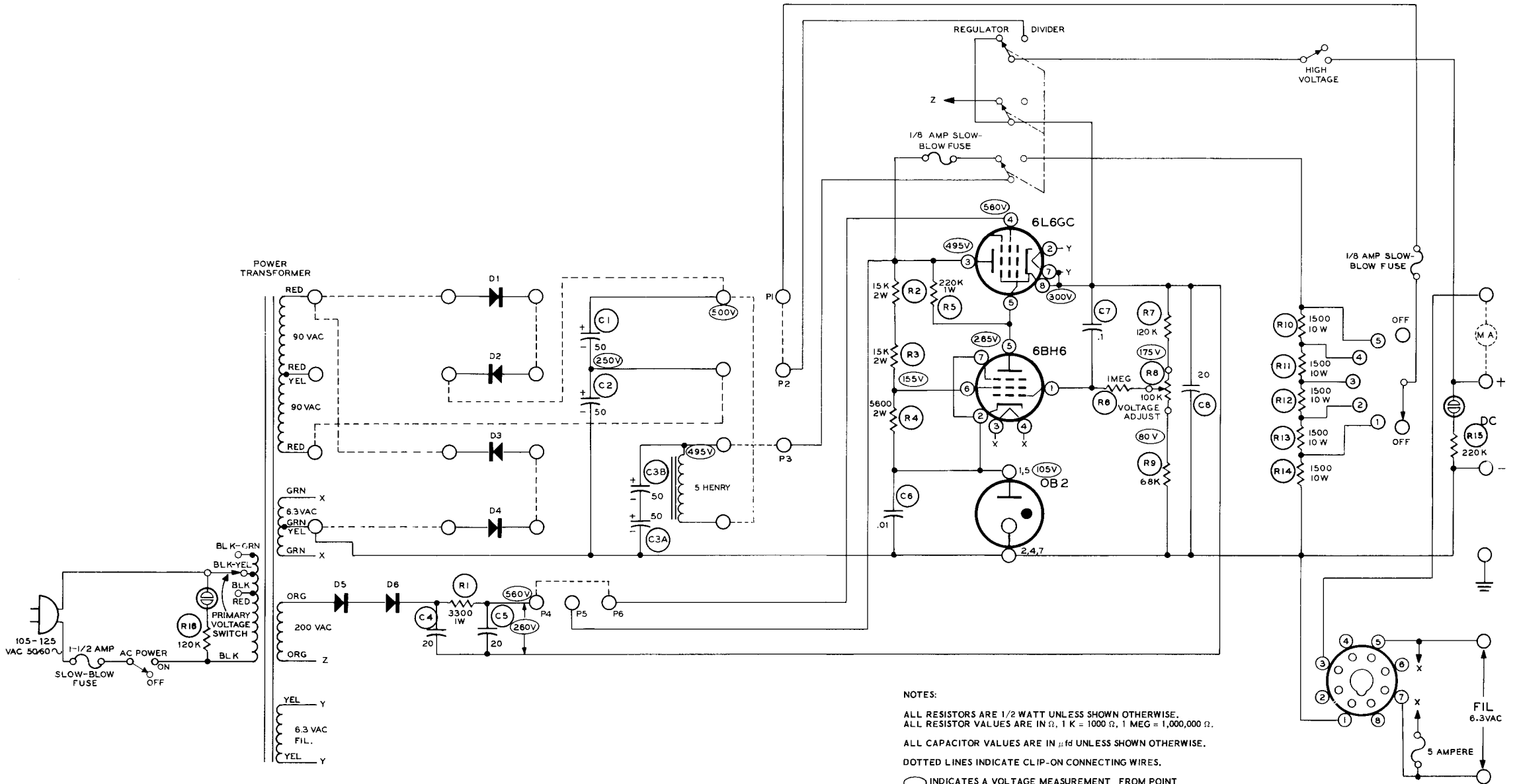


SPECIFICATIONS

The following specifications are for the EUW-15
Power Supply when it is wired for voltage-
doubler operation.

B+ Voltage Output.	200 to 350 volts DC regulated, at 0 to 100 milliamperes continuous.
Filament Voltage Output.	6.3 volts AC at 3 amperes.
B+ Regulation.	Output variation less than 1% from no load to full load at 300 volts. Output variation less than ± 1 volt for a ± 10 volt variation in the AC line input.
B+ Ripple.	Less than 10 millivolts rms ripple, jitter, and noise.
B+ Output Impedance.	Less than 10 Ω from 5-100,000 cps.
Divider Voltages (Unregulated).	Approximately 500, 400, 300, 200, and 100 volts.
Voltage Divider.	Internal, using five 1500 Ω 10 watt resistors; also can be used as a variable internal load.
Variable Load.	Voltage divider can be connected as a variable load, but current must not exceed 80 milliamperes.
Tube Complement.	1 - 6L6GC, series regulator. 1 - 6BH6, control amplifier. 1 - OB2, voltage regulator.
Controls And Switches.	DIVIDER VOLTAGE (or variable load switch). DIVIDER-REGULATOR switch. REGULATOR VOLTAGE (MIN-MAX) control. POWER (ON-OFF) switch. HIGH VOLTAGE (ON-OFF) switch. PRIMARY VOLTAGE SWITCH (on the chassis).
Output Terminals.	DC+ and DC-. FILament (6.3 VAC). Meter. Chassis ground.



**SCHEMATIC OF THE
HEATH SCIENCE SERIES
UNIVERSAL POWER SUPPLY
MODEL EUW-15**

NOTES:

ALL RESISTORS ARE 1/2 WATT UNLESS SHOWN OTHERWISE.
ALL RESISTOR VALUES ARE IN Ω , 1 K = 1000 Ω , 1 MEG = 1,000,000 Ω .

ALL CAPACITOR VALUES ARE IN μ fd UNLESS SHOWN OTHERWISE.

DOTTED LINES INDICATE CLIP-ON CONNECTING WIRES.

○ INDICATES A VOLTAGE MEASUREMENT FROM POINT INDICATED TO DC - EXCEPT FOR AC VOLTAGES ON THE POWER TRANSFORMER AND AC OUTPUT LUGS. VOLTAGE READINGS TAKEN WITH AN 11 MEGOHM INPUT VTVM WITH THE CIRCUIT CONNECTED AS SHOWN.

VOLTAGES MEASURED IN REGULATOR POSITION, REGULATOR SET FOR 300 V OUTPUT, NO LOAD.

CAPACITOR C3 ACTUALLY CONSISTS OF TWO 50 μ FD CAPACITORS IN SERIES.

