

NOTE: ALL DC VOLTAGES TAKEN TO CHASSIS WITH A HEATHKIT VACUUM TUBE VOLTMETER.

ALL VOLTAGES MAY VARY $\pm 10\%$ FROM INDICATED VOLTAGES.

VOLUME AND TUNING CONTROLS FULL CLOCKWISE.

ANTENNA TERMINALS SHORTED.

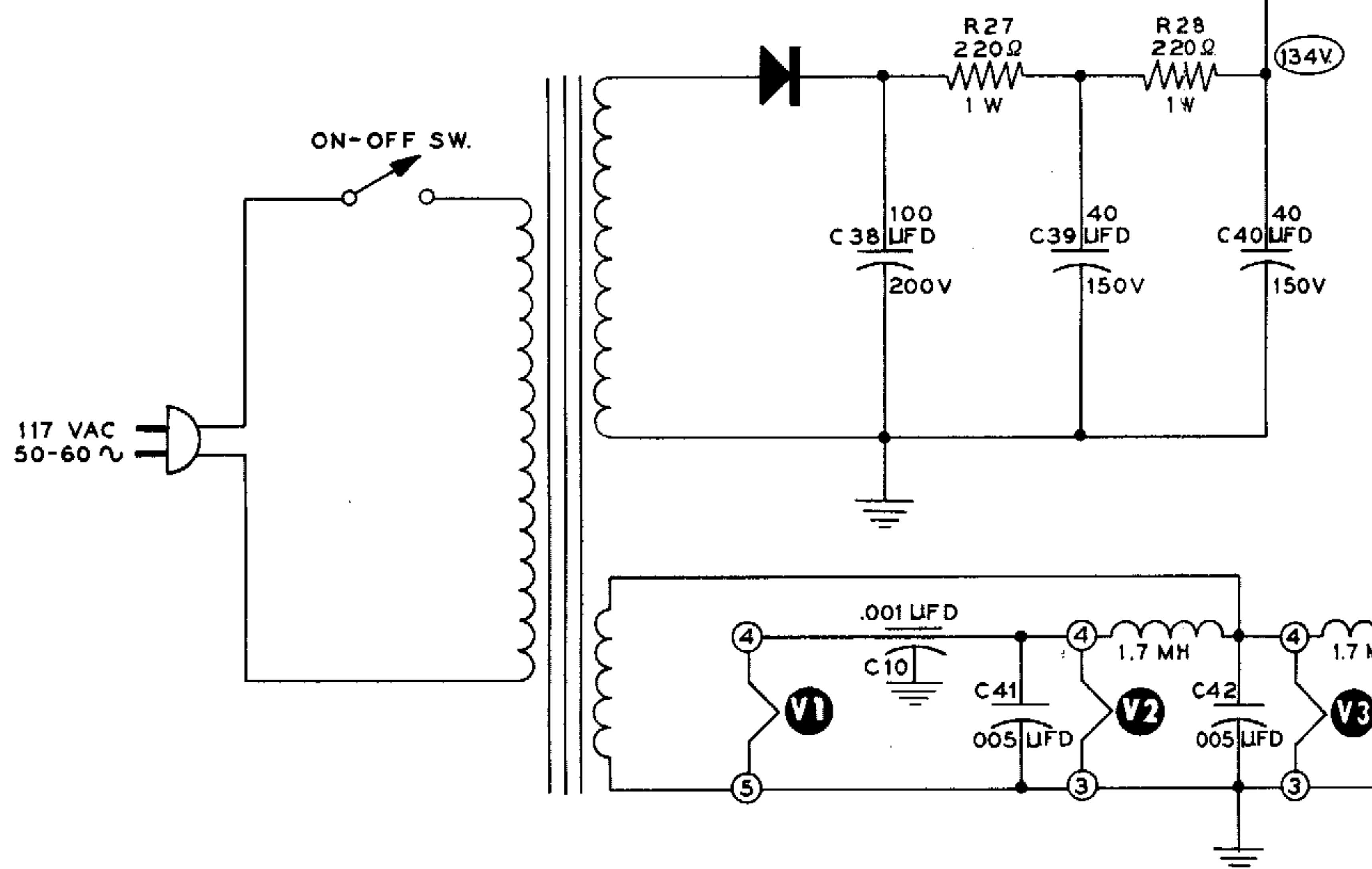
AFC SWITCH IN OFF POSITION.

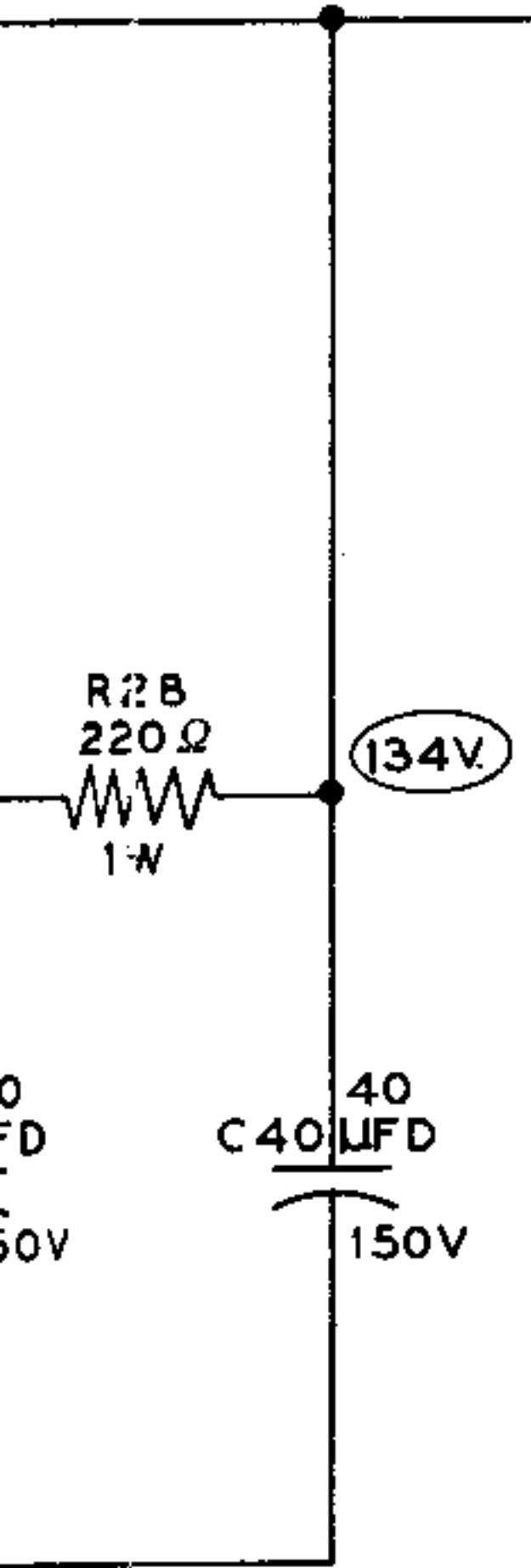
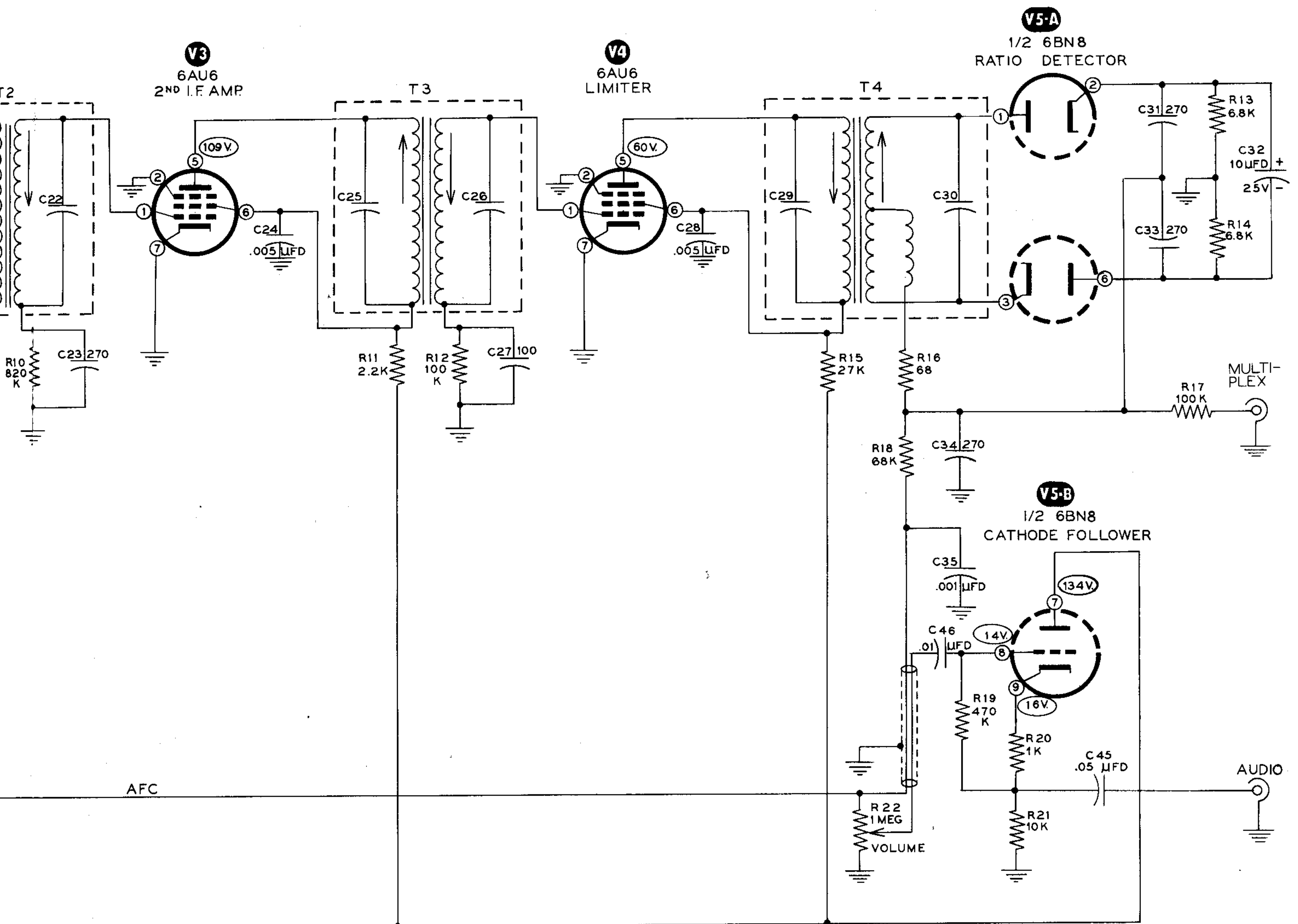
ALL CAPACITORS MARKED IN $\mu\mu\text{f}$ UNLESS OTHERWISE INDICATED.

ALL RESISTORS ARE 1/2 WATT UNLESS SPECIFIED OTHERWISE.

C10, C11, C13, C16 AND C17 ARE FEED THROUGH CAPACITORS.

ARROWS \uparrow AT TRANSFORMERS T1, T2, T3, AND T4 INDICATE TOP SLUGS.





HEATHKIT F M TUNER
MODEL FM-4

