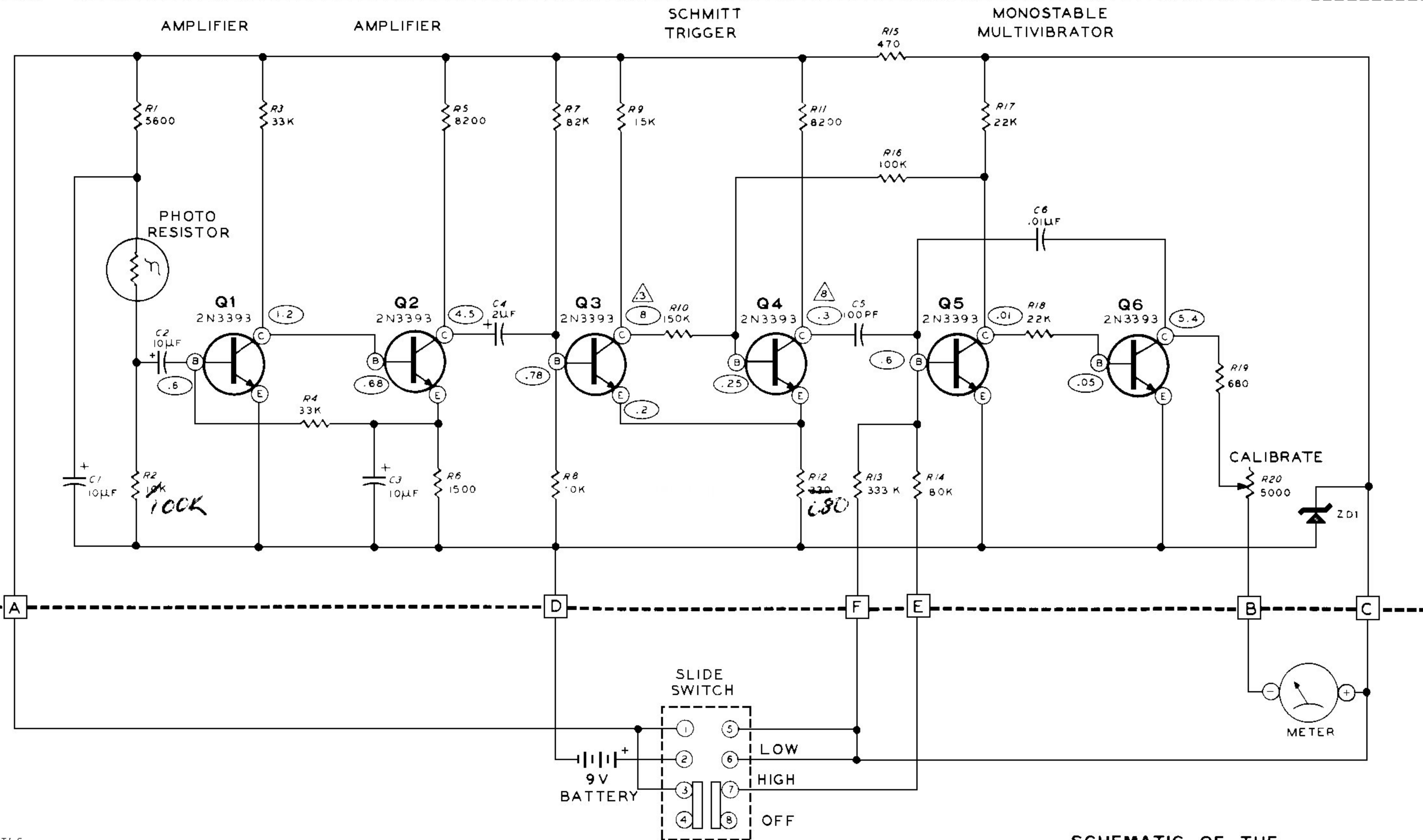


CIRCUIT BOARD



NOTES:

1. ALL RESISTORS ARE 1/2 WATT. RESISTOR VALUES ARE IN OHMS (K=1,000).
2. THIS SYMBOL INDICATES AN EXTERNAL CONNECTION TO THE CIRCUIT BOARD.
3. REFER TO THE CIRCUIT BOARD X-RAY VIEWS FOR PHYSICAL LOCATION OF PARTS.

4. THIS SYMBOL INDICATES A POSITIVE DC VOLTAGE MEASURED FROM THE POINT INDICATED TO CIRCUIT GROUND (POINT D). VOLTAGE MEASUREMENTS WERE TAKEN WITH AN 11 MEGOHM VOLTMETER WITH THE PHOTO RESISTOR COVERED. VOLTAGES MAY ±20%.
5. THIS SYMBOL INDICATES DC VOLTAGES TAKEN WHEN THE SCHMITT TRIGGER IS IN ITS ALTERNATE STATE

**SCHEMATIC OF THE
HEATHKIT®
THUMB TACH
MODEL GD-69**