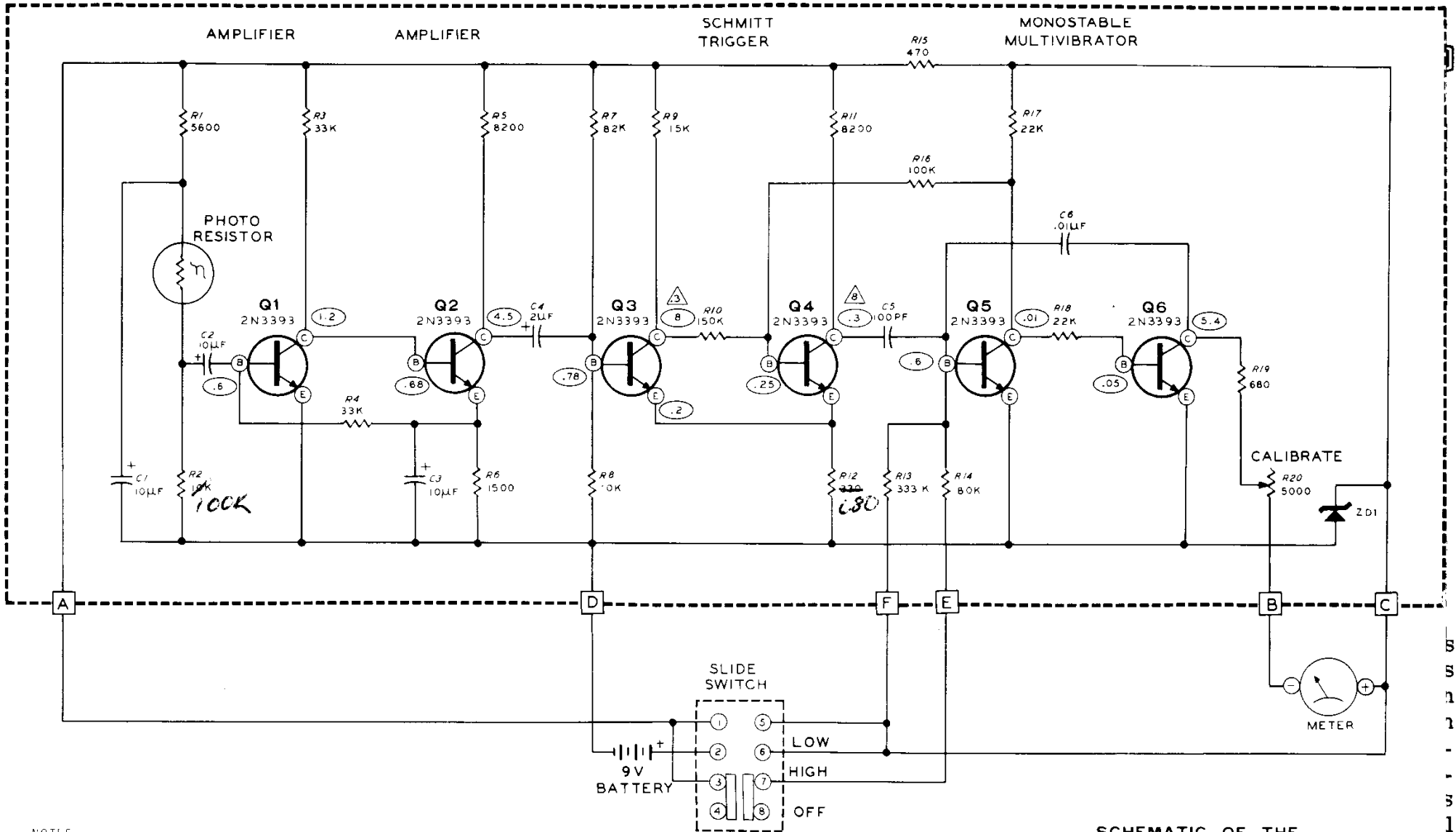


CIRCUIT BOARD



NOTES:

1. ALL RESISTORS ARE 1/2 WATT. RESISTOR VALUES ARE IN OHMS (\*K=1,000).
2.  THIS SYMBOL INDICATES AN EXTERNAL CONNECTION TO THE CIRCUIT BOARD.
3. REFER TO THE CIRCUIT BOARD X-RAY VIEWS FOR PHYSICAL LOCATION OF PARTS.

4.    THIS SYMBOL INDICATES A POSITIVE DC VOLTAGE MEASURED FROM THE POINT INDICATED TO CIRCUIT GROUND (POINT D). VOLTAGE MEASUREMENTS WERE TAKEN WITH AN 11 MEGOHM VOLTMETER WITH THE PHOTO RESISTOR COVERED. VOLTAGES MAY ±20%.
5.    THIS SYMBOL INDICATES DC VOLTAGES TAKEN WHEN THE SCHMITT TRIGGER IS IN ITS ALTERNATE STATE

SCHEMATIC OF THE  
HEATHKIT®  
THUMB TACH  
MODEL GD-69

5  
5  
1  
1  
f