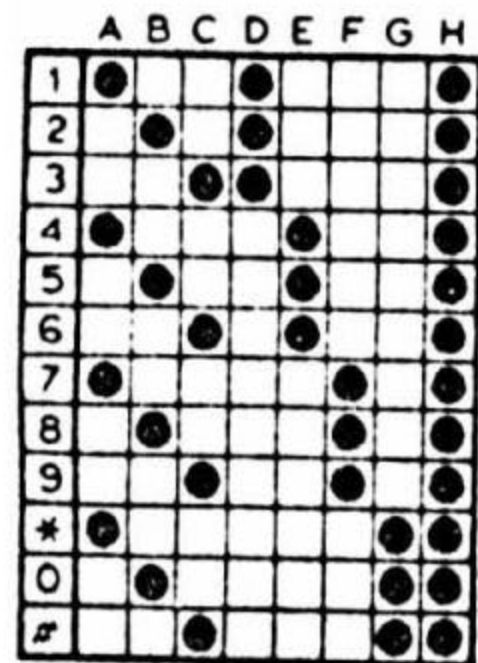


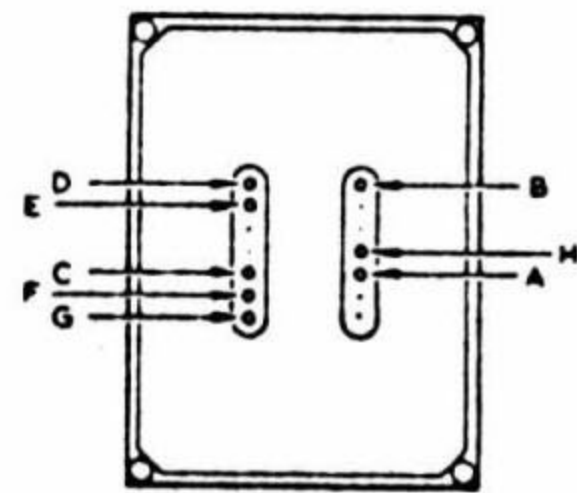
**SCHEMATIC OF THE
HEATHKIT®
MICODER™ II
MODEL HD-1984**

NOTES:

1. REFER TO THE "CIRCUIT BOARD X-RAY VIEW" FOR THE PHYSICAL LOCATION OF PARTS.
2. RESISTORS ARE 1/4 WATT, 10% TOLERANCE UNLESS OTHERWISE INDICATED. RESISTOR VALUES ARE IN OHMS (K-1000, M- 1,000,000).
3. DC VOLTAGE MEASUREMENTS WERE TAKEN WITH A HIGH INPUT IMPEDANCE VOLTMMETER FROM THE POINTS INDICATED TO CIRCUIT BOARD GROUND. VOLTAGES MAY VARY ±10%.
4. ○ THIS SYMBOL INDICATES A DC VOLTAGE WITH NO TONE BEING PRODUCED AND PTT SWITCH ACTUATOR DEPRESSED.
5. □ THIS SYMBOL INDICATES A DC VOLTAGE WITH KEY "1" PUSHED AND PTT SWITCH ACTUATOR DEPRESSED.
6. ▽ THIS SYMBOL INDICATES CIRCUIT BOARD GROUND.
7. ≡ THIS SYMBOL INDICATES COMMON GROUND
8. ○ THIS SYMBOL INDICATES A CONNECTION TO THE CIRCUIT BOARD.



● INDICATES TERMINAL SHORTED TO COMMON WHEN KEY IS DEPRESSED
TERMINAL H IS COMMON



IDENTIFICATION OF KEYBOARD PINS

Low Tone (Hz)	High Tone (Hz)		
	1209	1336	1477
697	1	2	3
770	4	5	6
852	7	8	9
941	*	0	#

Two-tone output frequencies from the Micoder.

