

# *specifications*

FOR THE



## MONITOR SCOPE

MODEL HO-10E

### SPECIFICATIONS

#### VERTICAL AMPLIFIER

Frequency Response . . . . .	$\pm 3$ db from 10 cps to 500 kc.
Sensitivity . . . . .	500 mv per inch deflection.
Input Resistance . . . . .	50 K $\Omega$ .

#### HORIZONTAL AMPLIFIER

Frequency Response . . . . .	$\pm 3$ db from 3 cps to 30 kc.
Sensitivity . . . . .	800 mv per inch deflection.
Input Resistance . . . . .	1 megohm.

#### SWEEP GENERATOR

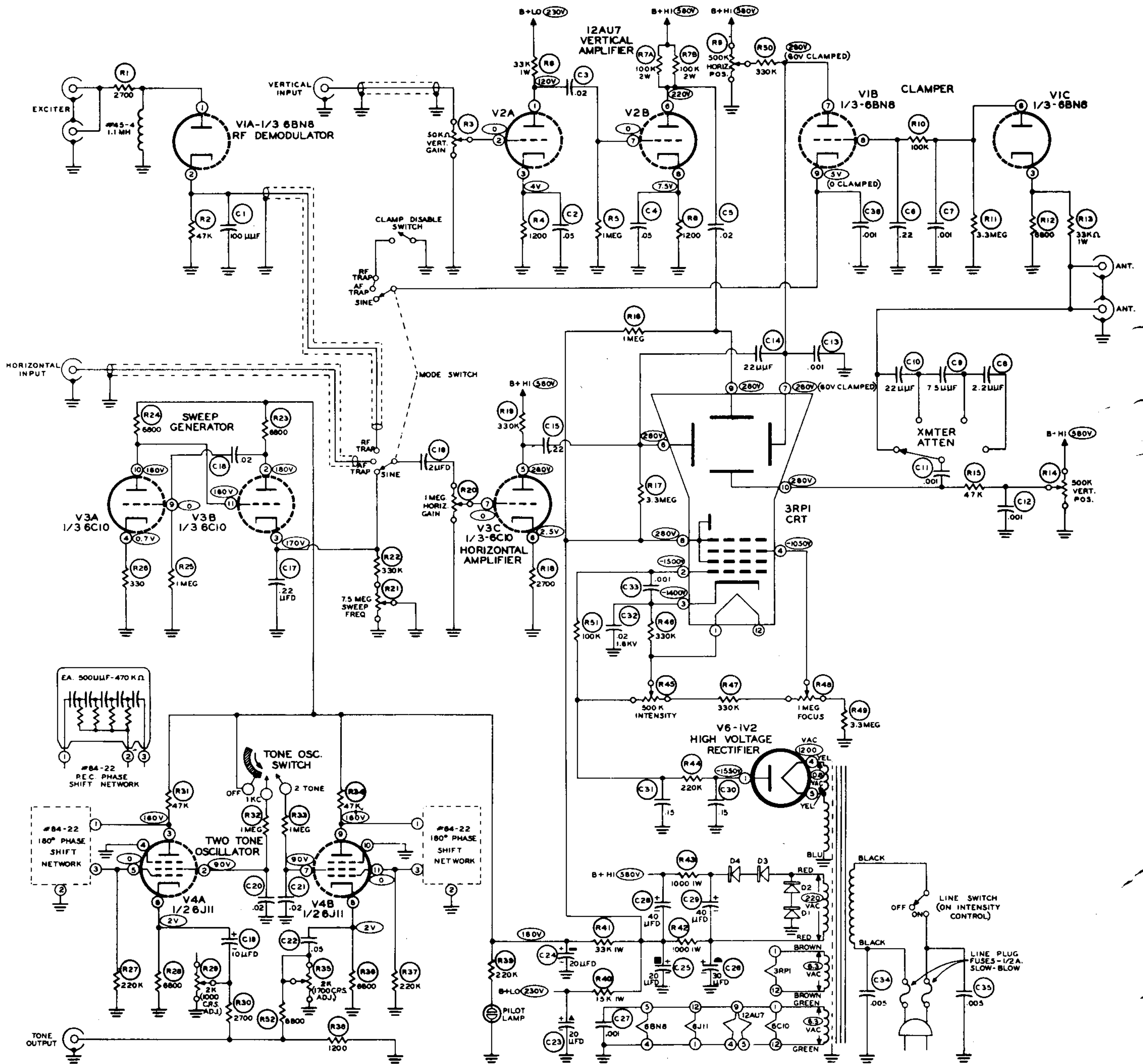
Recurrent Type . . . . .	Linear sawtooth produced by internal sweep generator.
Frequency . . . . .	15 to 200 cps (variable).

#### TONE OSCILLATORS

Frequencies . . . . .	Approximately 1000 cps and 1700 cps.
Output Voltage . . . . .	15 mv (nominal).

#### GENERAL

Frequency Coverage . . . . .	160 through 6 meters (50-75 $\Omega$ coaxial input).
Power Limits (At rear coaxial connector) . . .	5 watts to 1 kilowatt output.



**SCHEMATIC OF THE  
HEATHKIT®  
AUDIO ANALYZER  
MONITOR SCOPE  
MODEL HO-10E**

**NOTES:**

ALL SWITCHES FULL COUNTERCLOCKWISE AS VIEWED FROM FRONT.  
○ INDICATES VOLTAGE.  
ALL VOLTAGES MEASURED WITH 20,000 Ω/VOLT (OR HIGHER) METER.  
ALL VOLTAGES MEASURED FROM POINT INDICATED TO GROUND EXCEPT AC TRANSFORMER VOLTAGES.  
ALL RESISTORS 1/2 WATT UNLESS OTHERWISE SHOWN.  
ALL CAPACITORS LISTED ARE IN μF UNLESS OTHERWISE SHOWN.