

June 1, 1976

IMPORTANT NOTICE

Please make the following changes in your Assembly Manual before you begin to assemble your kit.

Page 4 – Under "Tantalum."

Change:	A3 ()	1	10 μ F	25-220	C5
To:	A3 ()	<u>3</u>	10 μ F	25-220	C5, <u>C21, C22</u>

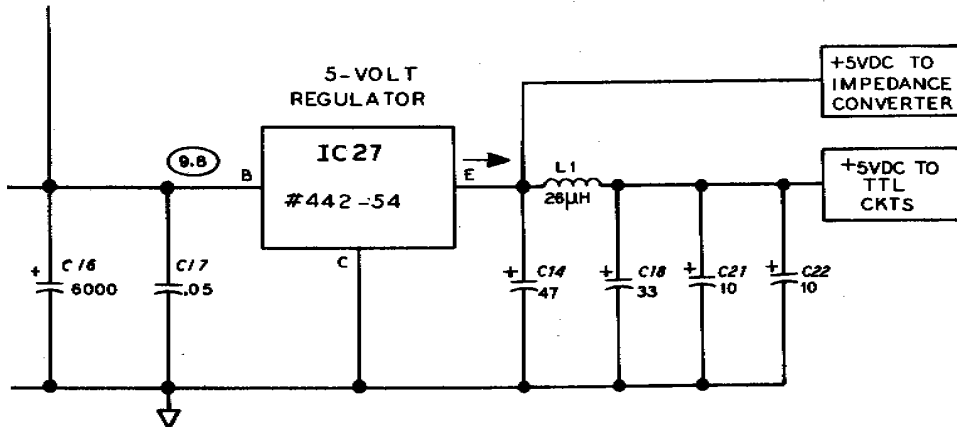
Page 24 – Remove Page 25A from this Notice and place it between Pages 24 and 25. Install the parts on this Page after you have completed Page 25 in your Manual.

Page 52 – Remove Page 52 from this Notice and tape it over Page 52 in your Manual.

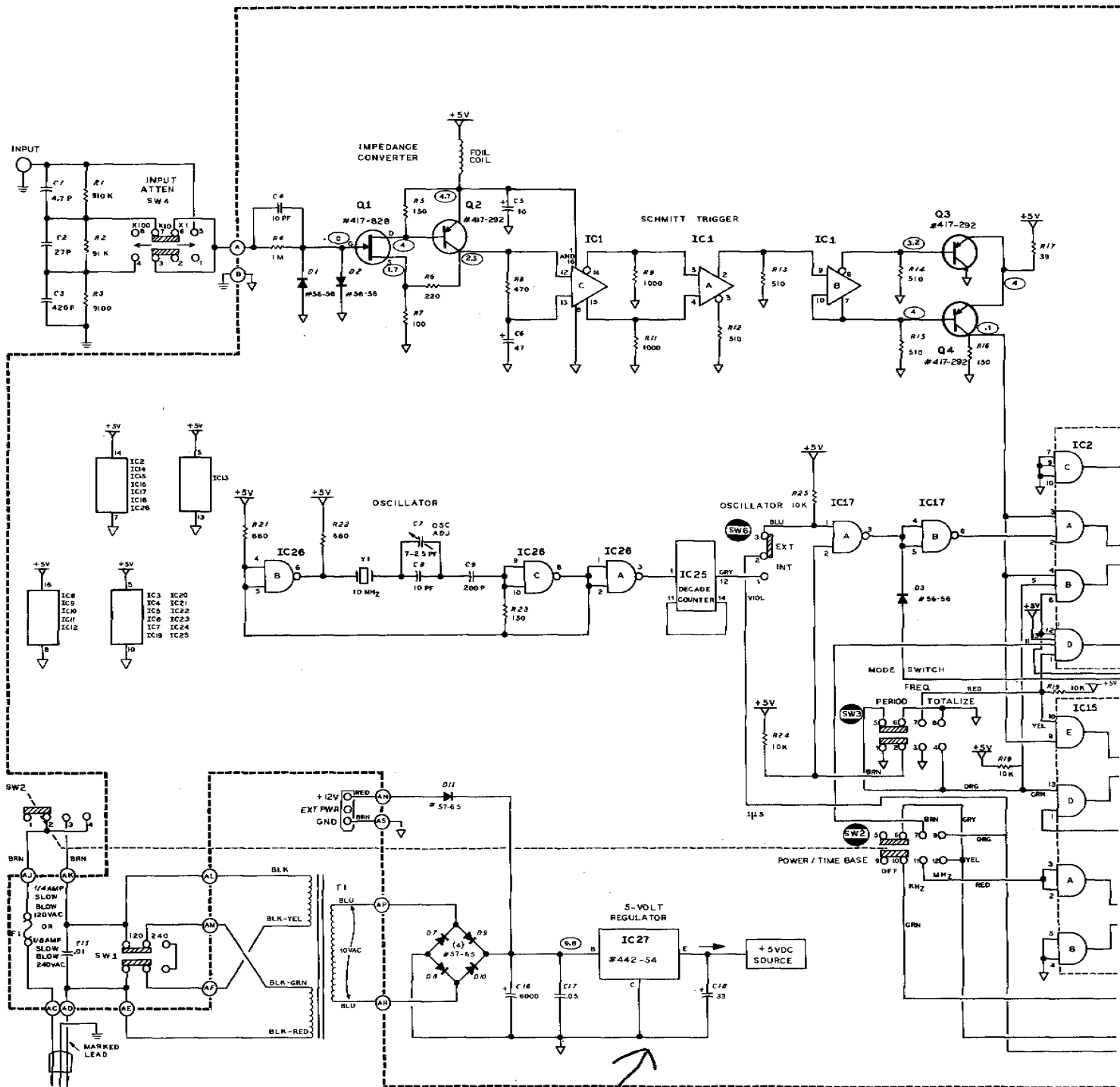
Schematic Diagram – Correct the lower center section of your Schematic Diagram as shown in the Schematic Correction Diagram.

Thank you,

HEATH COMPANY



SCHEMATIC CORRECTION DIAGRAM



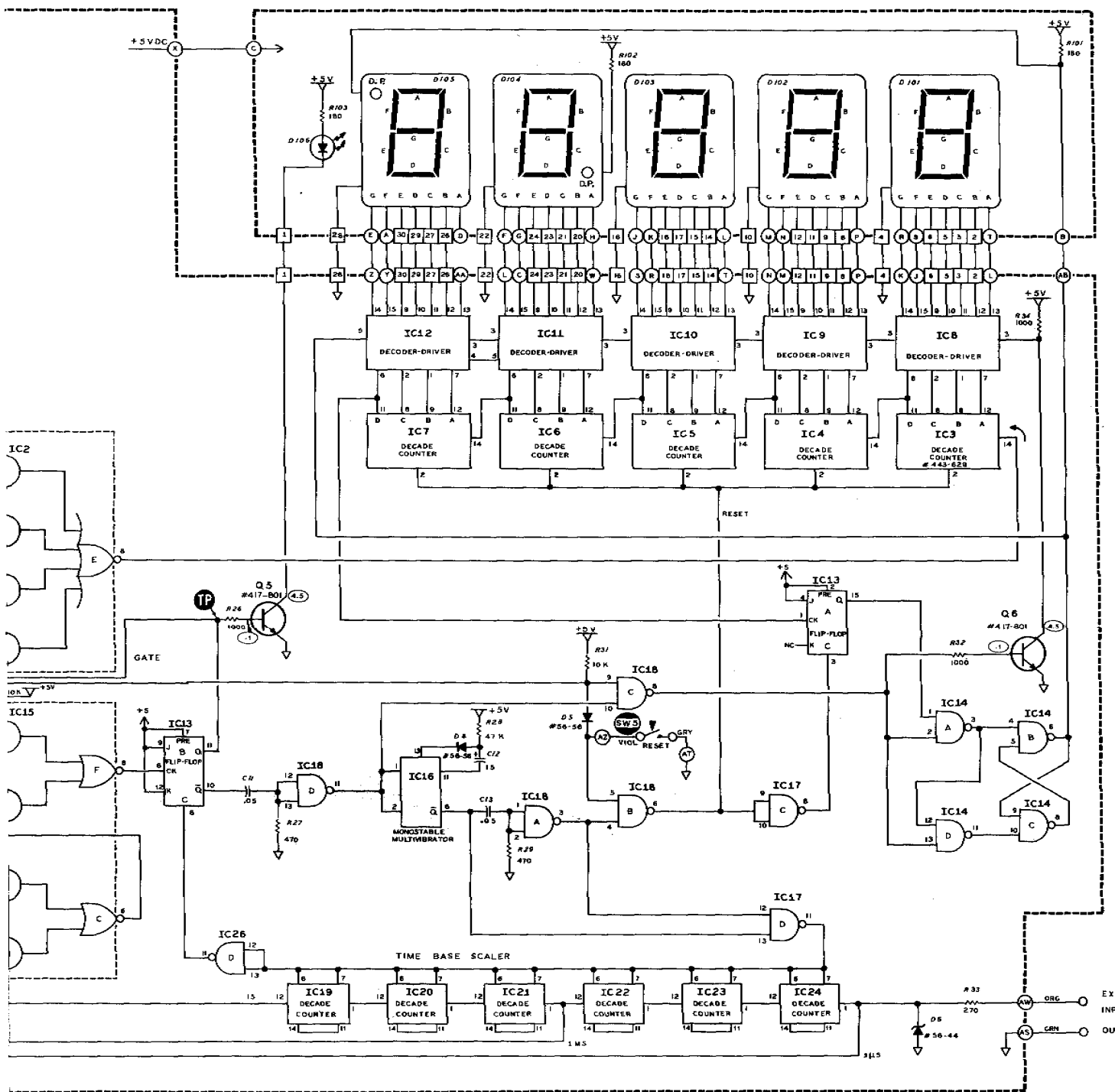
See attached page.

Copyright © 1975
Health Company
All Rights Reserved

**SCHEMATIC OF THE
HEATH
MODEL IM-4100/SM-4100
FREQUENCY COUNTER**

**SCHEMATIC OF
MOTOROLA
MODEL S-1357A
FREQUENCY COUNTER**

- NOTES:
1. COMPO
 2. ALL RE
 3. ALL RE
 4. ALL CA NOTED.



S:

COMPONENT NUMBERS ARE IN THE FOLLOWING GROUPS:

- 1 - 99 PARTS MOUNTED ON THE CHASSIS AND MAIN CIRCUIT BOARD.
- 101 - 199 PARTS MOUNTED ON THE DISPLAY CIRCUIT BOARD.

ALL RESISTOR VALUES ARE IN OHMS: K=1,000; M=1,000,000.

ALL RESISTORS ARE 1/2 WATT, 5%.

ALL CAPACITOR VALUES ARE IN μ F UNLESS OTHERWISE NOTED.

- 5. THIS SYMBOL INDICATES CHASSIS GROUND.
- 6. THIS SYMBOL INDICATES CIRCUIT BOARD GROUND.
- 7. THIS SYMBOL INDICATES A PART MOUNTED ON THE CHASSIS BUT SHOWN ON THE CIRCUIT BOARD.
- 8. THIS SYMBOL INDICATES A DC VOLTAGE TAKEN WITH A HIGH INPUT IMPEDANCE VOLTMETER BETWEEN THE POINT INDICATED AND GROUND WITH NO INPUT SIGNAL. VOLTAGES MAY VARY $\pm 20\%$.