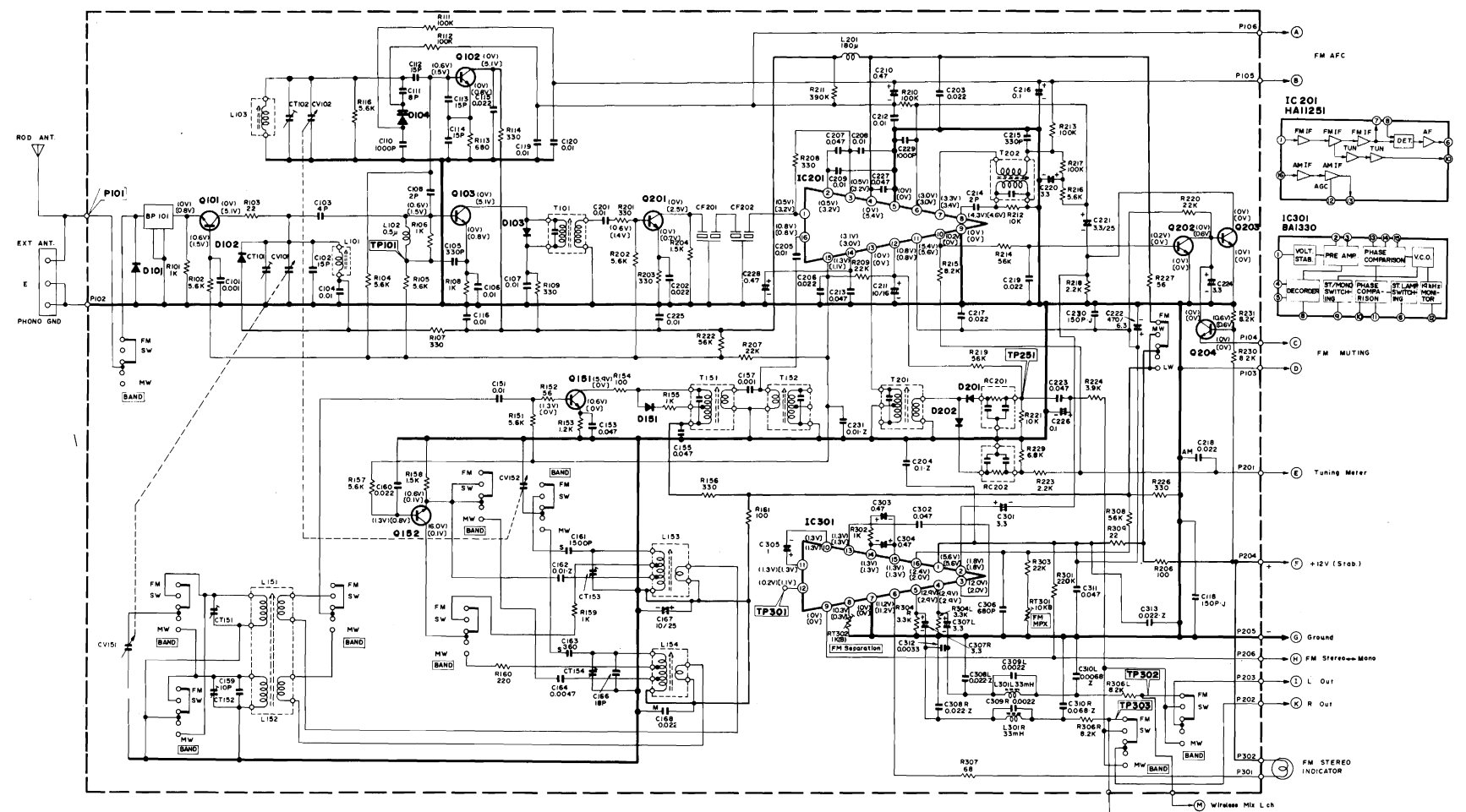


D101 IS2473 PROTECTOR
Q101 25C1674 FM RF AMP
D102 IS2473 FM LIMITER
D104 IS2790 FM AFC
Q102 25C1675 FM LOCAL OSC.
Q103 25C1675 FM CONV.
D103 IS2473 FM LIMITER
Q201 25C1675 FM IF AMP.
IC201 HA-11251 FM/AM IF AMP./FM DET.
Q202-Q204 25C1740 FM MUTE SWITCHING



Q152 25C1674 AM LOCAL OSC.
Q151 25C1675 AM CONV.
D151 IK60 AGC
IC301 BA1330 FM MPX
D202 IK60 RECT. FOR METER
D201 IK60 AM DET.

* The values in () are voltage during FM broadcast and those in () are voltage during AM broadcast reception.

SCHEMATIC DIAGRAM (Tape Recorder/AF/Power Section)

