



HITACHI

SERVICE MANUAL

TY

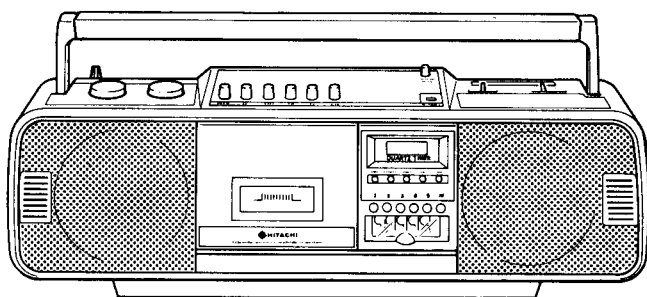
No. 627 EF

TRK-650E II [E]
TRK-P65E II [E, E(BS)]
TRK-P65E II GR [E]

TN-21VC-1454 Chassis

Since this service manual is a supplementary edition, only additional and modified parts are listed. For other items, please see service books TRK-650 and TRK-P65 (No. 592EF).

Comme cette brochure est une addition, seules les parties modifiées ou supplémentaires sont mentionnées. Pour les autres articles, se reporter aux manuels d'atelier TRK-650 et TRK-P65 (n° 592EF).



TRK-P65E II

CONTENTS

TABLE DES MATIERES

PRINTED WIRING BOARD	2	PLAN DE BASE	2
CIRCUIT DIAGRAM	3-5	PLAN DE CIRCUIT	3-5
BLOCK DIAGRAM	6	SCHÉMA	6
REPLACEMENT PARTS LIST	7	TABLEAU DES PIÈCES	7

SAFETY PRECAUTIONS

The following precautions should be observed when servicing.

1. Since many parts in the unit have special safety-related characteristics, always use genuine Hitachi's replacement parts. Especially critical parts in the power circuit block should not be replaced with other makers. Critical parts are marked with Δ in the circuit diagram and printed wiring board.
2. Before returning a repaired unit to the customer, the service technician must thoroughly test the unit to ascertain that it is completely safe to operate without danger of electrical shock.

PRÉCAUTIONS DE SÉCURITÉ

Les précautions suivantes doivent être observées chaque fois qu'une réparation doit être faite.

1. Étant donné que de nombreux composants de l'appareil possèdent des caractéristiques relatives à la sécurité, utiliser uniquement des pièces de rechange d'origine Hitachi pour effectuer un remplacement. Ceci se rapporte notamment aux pièces critiques du bloc d'alimentation qui ne doivent en aucun cas être remplacées par celles d'autres fabricants. Les pièces critiques sont accompagnés du symbole Δ dans le plan de circuit et sur le plan de base.
2. Avant de retourner l'appareil réparé au client le technicien doit procéder à un essai complet pour s'assurer qu'il ne présente aucun danger de chocs électriques.

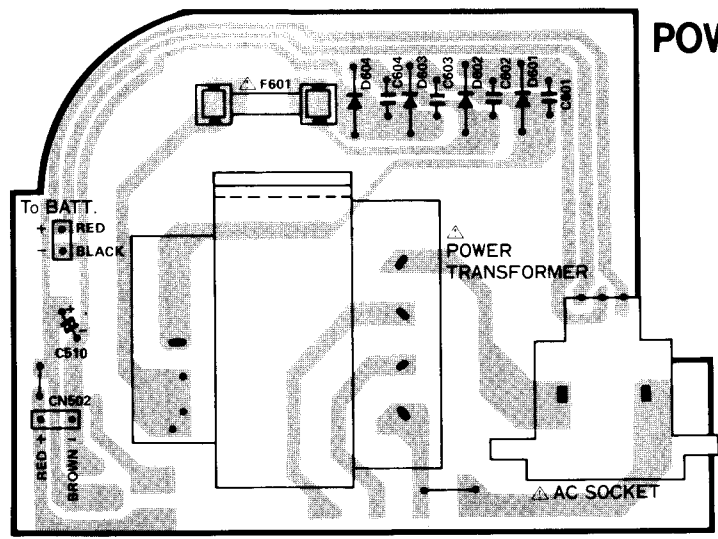
SPECIFICATIONS AND PARTS ARE SUBJECT TO CHANGE FOR IMPROVEMENT.

RADIO CASSETTE TAPE RECORDER

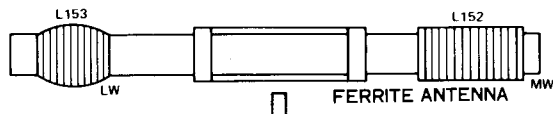
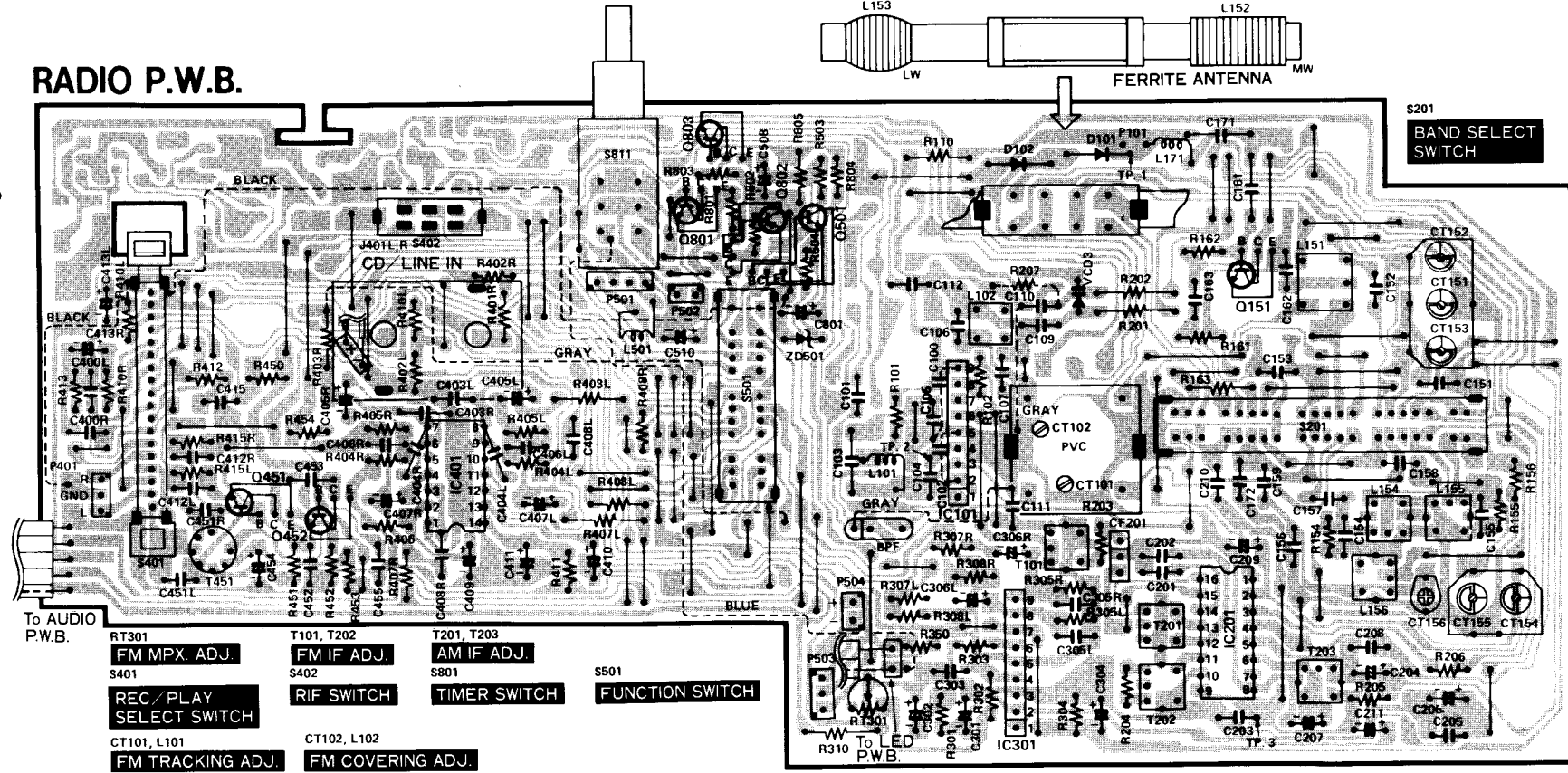
April 1989

YOKOHAMA WORKS

POWER P.W.B.



RADIO P.W.B.



S201
BAND SELECT SWITCH

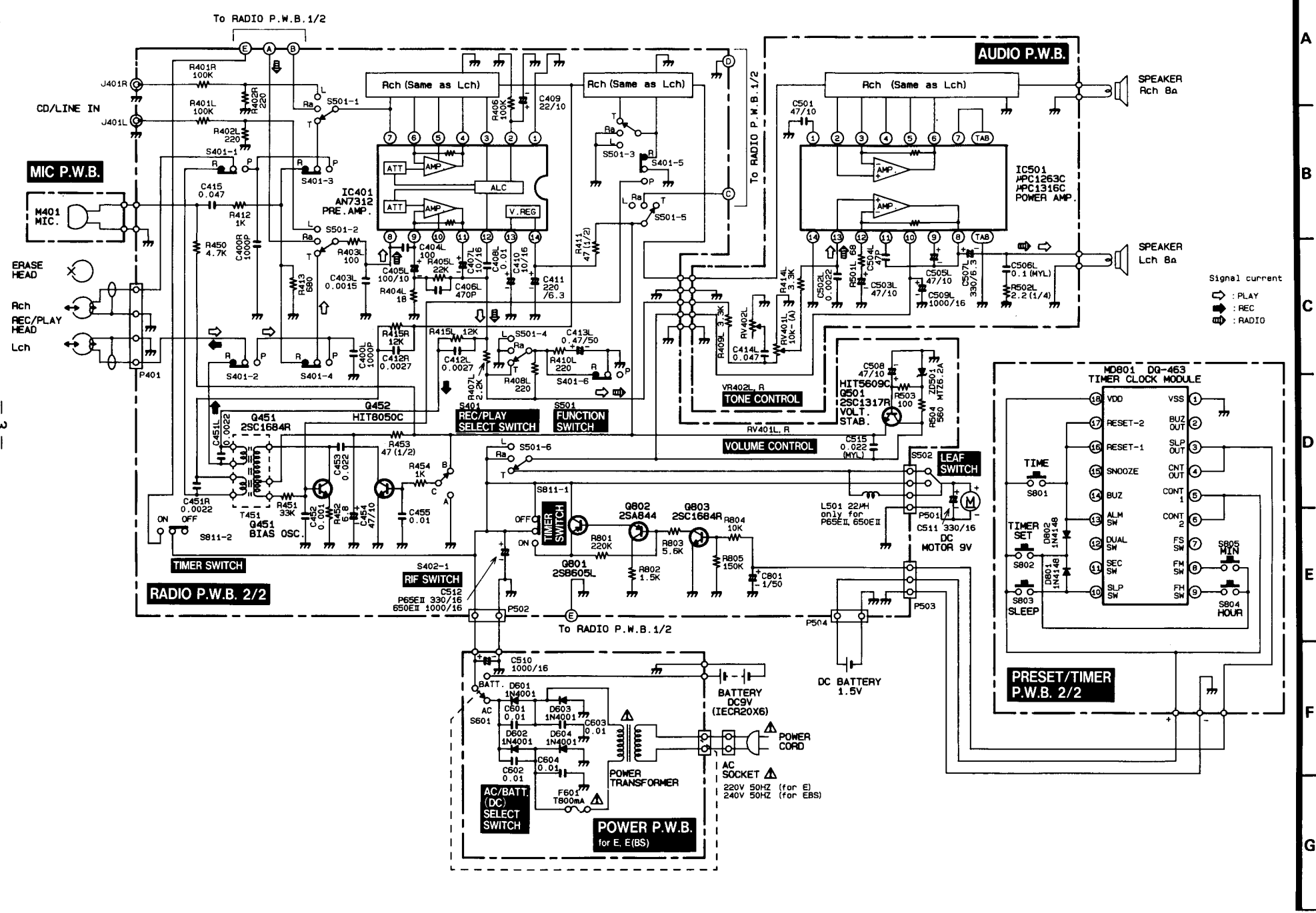
- CT151, L151 SW ANT. ADJ.
- CT152, L152 MW ANT. ADJ.
- CT153, L153 LW ANT. ADJ.
- CT153, L155 MW OSC. ADJ.
- CT154, L154 SW OSC. ADJ.
- CT154, L156 LW OSC. ADJ.

- RT301 FM MPX. ADJ.
- S401 REC./PLAY SELECT SWITCH
- CT101, L101 FM TRACKING ADJ.
- T101, T202 FM IF ADJ.
- S402 RIF SWITCH
- CT102, L102 FM COVERING ADJ.
- T201, T203 AM IF ADJ.
- S801 TIMER SWITCH
- S501 FUNCTION SWITCH

**CIRCUIT DIAGRAM
PLAN DE CIRCUIT**

TRK-650E II / TRK-P65E II

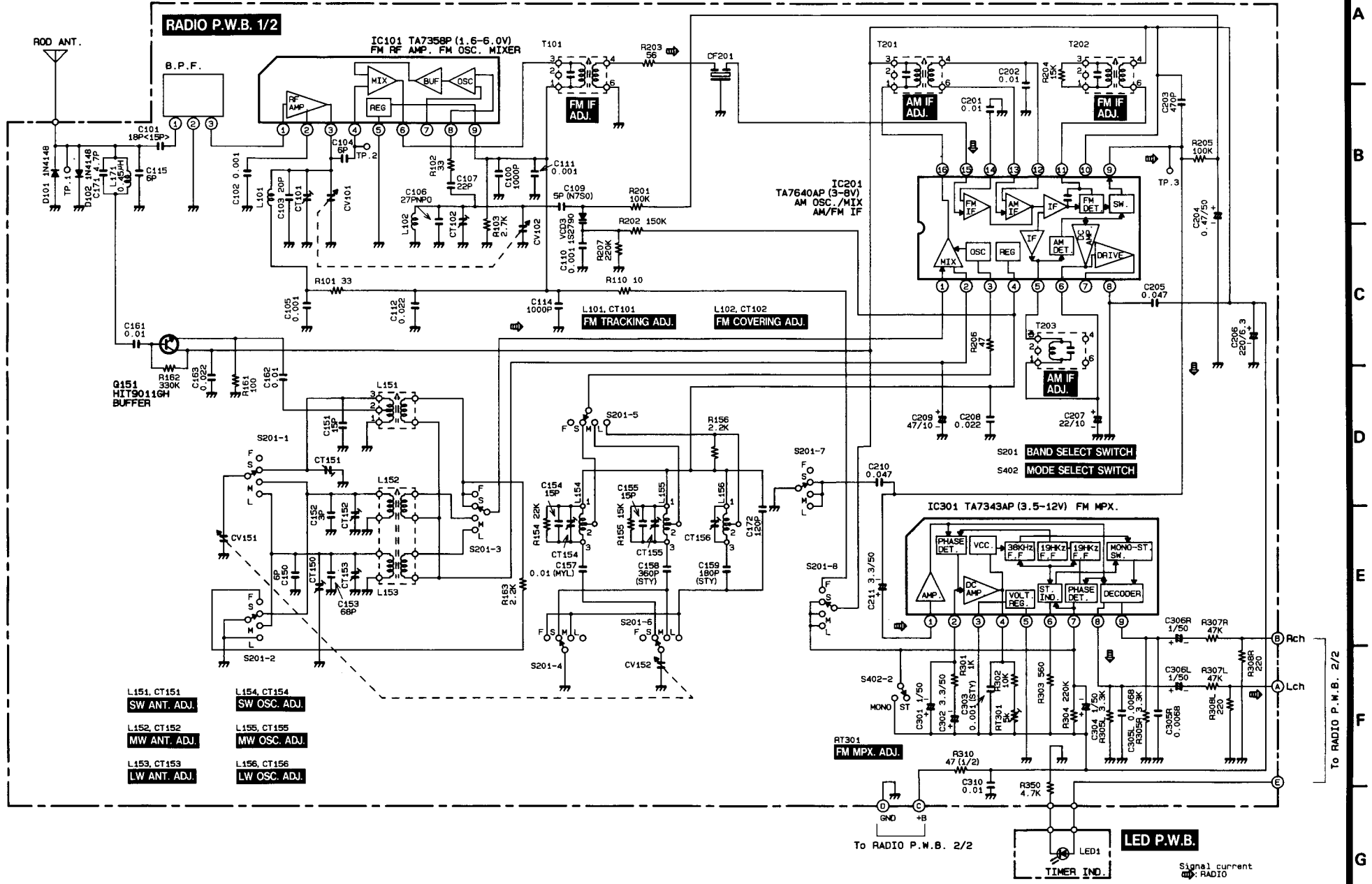
TRK-650E II
TRK-P65E II
TRK-P65E II GR



Signal current
 ↗ : PLAY
 ↘ : REC
 ⇄ : RADIO

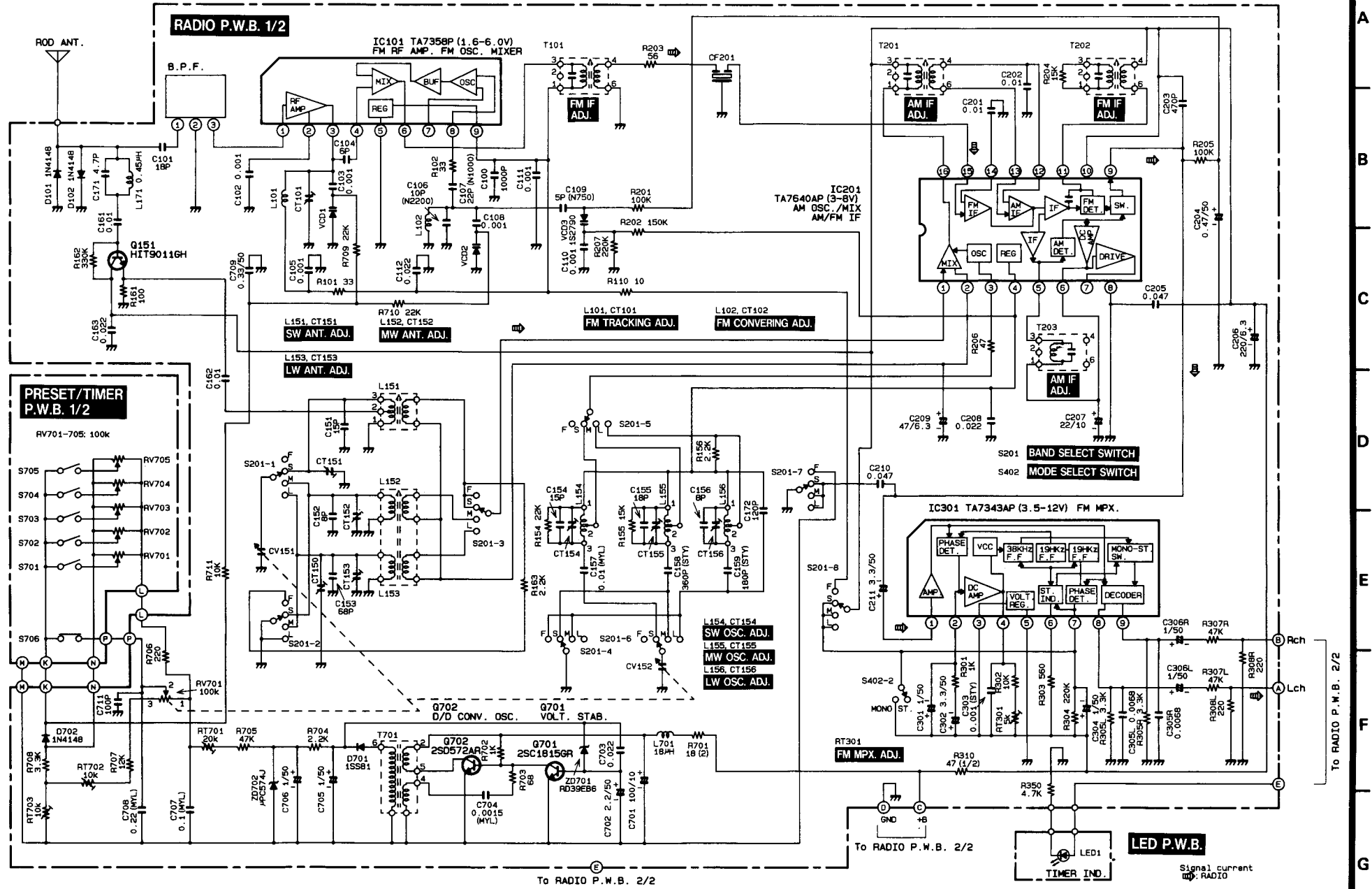
A
B
C
D
E
F
G

1 2 3 4 5 6 7 8 9



A
B
C
D
E
F
G

1 2 3 4 5 6 7 8 9



To RADIO P.W.B. 2/2

To RADIO P.W.B. 2/2

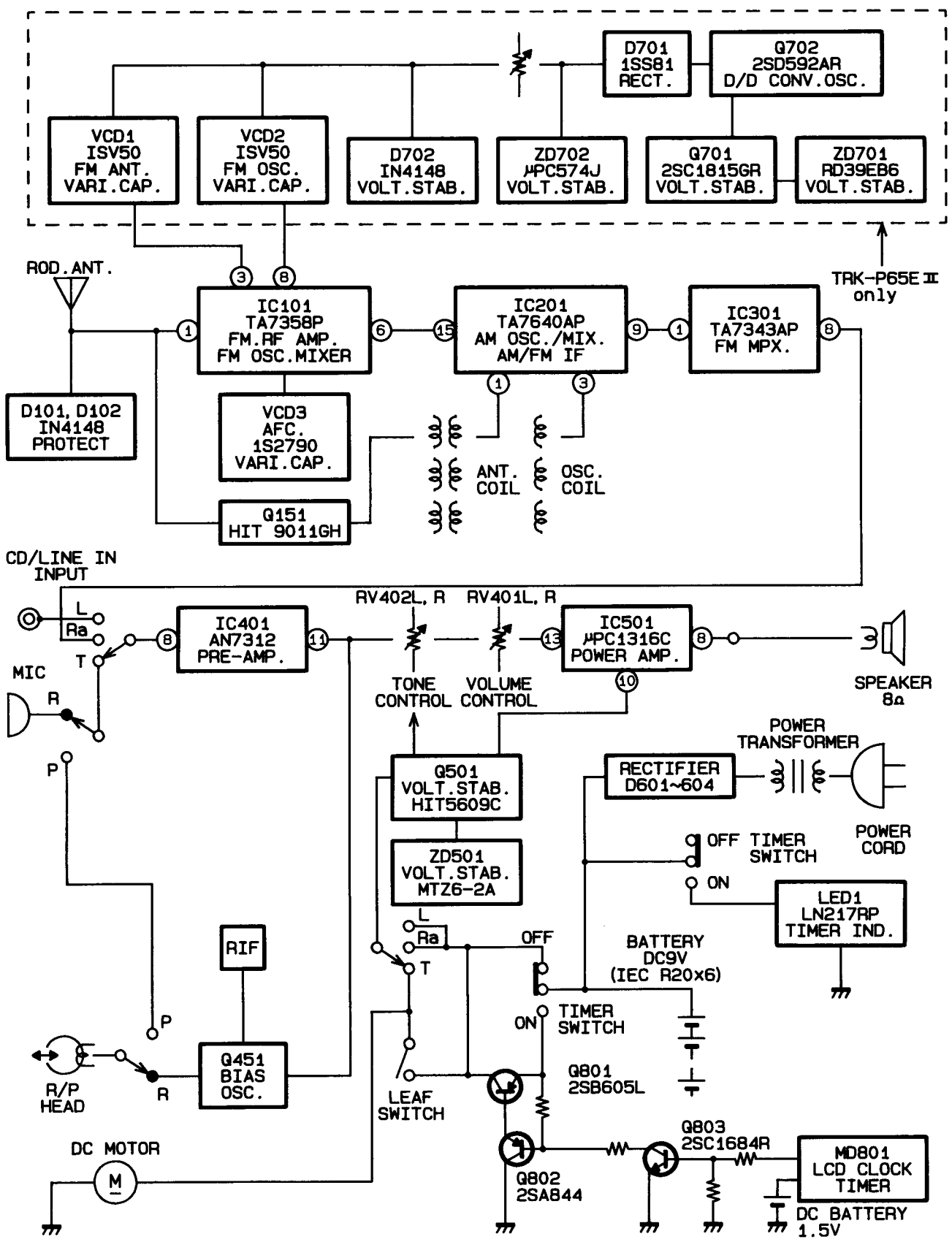
To RADIO P.W.B. 2/2

Signal current
RADIO

5

1 2 3 4 5 6 7 8 9

A B C D E F G



REPLACEMENT PARTS LIST
· TABLEAU DES PIÈCES

TRK-650E II
TRK-P65E II
TRK-P65E II GR

TRK-650E II					
TRK-650E II			TRK-650		
SYMBOL NO.	PART NO.	DESCRIPTION	SYMBOL NO.	PART NO.	DESCRIPTION
R806	0700049	CF 47K Ω \pm 5% 1/6W			Not used
CABINET CHASSIS					
①	4005642	Front case assy	①	4005641	Front case assy
⑮	4862981	Cassette lid assy	⑮	3808521	Cassette lid
⑳	4005682	Rear case assy	⑳	4005681	Rear case assy

TRK-P65E II					
TRK-P65E II			TRK-P65		
SYMBOL NO.	PART NO.	DESCRIPTION	SYMBOL NO.	PART NO.	DESCRIPTION
R806	0700049	CF 47K Ω \pm 5% 1/6W			Not used
CABINET CHASSIS					
①	4005334	Front case assy [for E]	①	4005331	Front case assy [for E]
①	4005335	Front case assy [for E(BS)]	①	4005332	Front case assy [for E(BS)]
⑮	4862981	Cassette lid assy	⑮	3808521	Cassette lid
⑳	4005354	Rear case assy [for E]	⑳	4005351	Rear case assy [for E]
㉑	4005355	Rear case assy	㉑	4005352	Rear case assy

TRK-P65E II (GR)					
TRK-P65E II GR			TRK-P65		
SYMBOL NO.	PART NO.	DESCRIPTION	SYMBOL NO.	PART NO.	DESCRIPTION
CABINET CHASSIS					
①	4863111	Front case assy	①	4005331	Front case assy
⑮	4862983	Cassette lid assy	⑮	3808521	Cassette lid
⑳	4863121	Rear case assy	⑳	4005351	Rear case assy
㉑	4005362	Battery lid assy	㉑	4005361	Battery lid sub assy



HITACHI SALES EUROPA GmbH
Rungedamm 2, 2050 Hamburg 80,
West Germany
Tel. 040-734 11-0

HITACHI SALES (U.K.) Ltd.
Hitachi House, Station Road, Hayes, Middlesex UB3
4DR, England
Tel. 01-848-8787

HITACHI SALES SCANDINAVIA AB
Rissneleden 8, Box 7138, 172-07 Sundbyberg, Sweden
Tel. 08-98 52 80

HITACHI SALES NORWAY A/S
P.O. Box 503, Oerebekk, 1620,
Gressvik, Norway
Tel. 032-28255

SUOMEN HITACHI OY
Takojanokatu 5, 15800 Lahti 80, Finland
Tel. (918) 44 241

HITACHI SALES A/S
Kuldysen 13, DK-2630, Taastrup, Denmark
Tel. 02-999200

HITACHI SALES A.G.
Bahnhofstrasse, 19, 5600 Lenzburg, Switzerland
Tel. 064-513621

HITACHI SALES WARENHANDELS GMBH
A-1180/Wien, Kreuzgasse 27, Austria
Tel. 0222-421670

HITACHI SALES ITALIANA, S.P.A.
Via Ludovico di Breme, 9-20156
MILANO Italy
Tel. (02) 30231

HITACHI SALES BELGIUM S.A./N.V.
Chaussee de Namur, 56, B-1400 Nivelles, Belgium
Tel. (3267) 21-71-81, (3267) 21-79-81

HITACHI SALES IBERICA, S.A.
Gran Via Carlos Tercero, 101, 1-1, Barcelona-08028,
Spain
Tel. 330-8652

**HITACHI PRODUCTIONS MAROC ELECTRONIQUES
DOMESTIQUES S.A.**
Rue du Havre, Casablanca, Morocco
Tel. 30-73-68, 30-73-57

HITACHI CANARIAS S.A.
Calle San-Francisco No. 19, 38002, Santa Cruz de Tenerife
Canary Islands
Tel. 24-64-98

HITACHI SALES (HELLAS) S.A.
110 Syngrou St., Athens, Greece
Tel. 9219082, 9233469

HITACHI SALES (MALAYSIA) SDN. BHD.
Wisma Hitachi. No. 2. Lorong 13/6A, 46200 Petaling
Jaya, Malaysia
Tel. 7573455

HITACHI (SINGAPORE) PTE., LTD.
18 Pasir Panjang Road # 01-03 PSA
Multi-Storey Complex. Singapore 0511
Tel. 2738102

HITACHI SALES (THAILAND) LTD.
2240-46, New Petchburi Road, Bangkok, Hueykuang
Bangkok, Thailand
Tel. 314-2741

HITACHI ELECTRIC SERVICE CO., (HONG KONG) LTD.
4th Floor Leun Tai Industrial Bldg., 72-76 Kwai Cheong
Road Kwai Chung N.T., Hong Kong
Tel. 0-242976, 0-240126

HITACHI SALES AUSTRALIA PTY LTD.
153 Keys Road, Moorabbin, Victoria 3189 Australia
Tel. 555-8722

HITACHI SALES CORPORATION OF AMERICA
Eastern Regional Office
1200 Wall Street West, Lyndhurst, New Jersey 07071,
U.S.A.
Tel. 201-935-8980

Mid-Western Regional Office
1400 Morse Ave., Elk Grove Village, Illinois. 60007, U.S.A.
Tel. 312-593-1550

Southern Regional Office
510 Plaza Drive, College Park, Georgia 30349, U.S.A.
Tel. 404-763-0360

Headquarters Western Regional Office
401 West Artesia Boulevard, Compton, California 90220
U.S.A.
Tel. 213-537-8383

HITACHI SALES CORPORATION OF HAWAII, INC.
3219 Koapaka Street, Honolulu, Hawaii 96819, U.S.A.
Tel. 808-836-3621

HITACHI (HSC) CANADA INC.
3300 Trans-Canada Highway, Pointe Claire, Quebec,
H9R 1B1, Canada
Tel. 514-697-9150

Hitachi Sales Centroamericana, S.A.
HITACHI ELECTRONICA CENTROAMERICANA S.A.
San Rafael de Escazu, Apartado 10272, San Jose,
Costa Rica
Tel. 28-20-11, 28-00-37

Hitachi Sales Corporation de Panama, S.A.
INTERNATIONAL HITACHI SALES PANAMA, LTD.
PRODUCTOS HITACHI, S.A.
(Apartado 7657) Panama 5 Panama City, Rep. of Panama
Tel. 61-3100, 61-4305

HITACHI-FRANCE (RADIO-T.V. ELECTRO-MENAGER) S.A.
95-101 Rue Charles Michels,
93200 SAINT-DENIS,
France
Tel. 4821 6015

HITACHI LTD. TOKYO JAPAN
Head Office: THE HITACHI ATAGO BLDG.
No. 15-12, 2-Chome Nishi-Shinbashi
Minato-ku, Tokyo 105, Japan
Tel. Tokyo (03) 502-2111

TRK-650E II / P65E II / P65E II GR TY No. 627 EF