

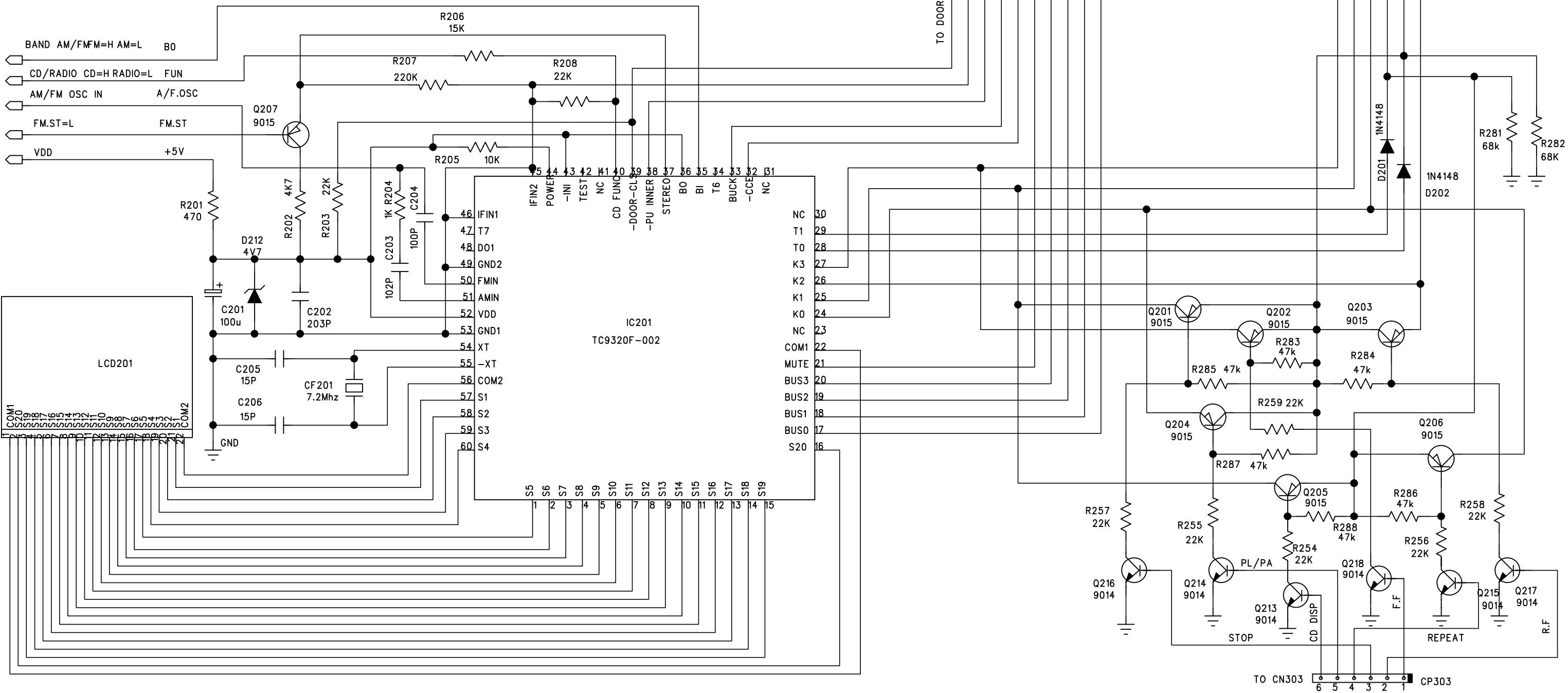
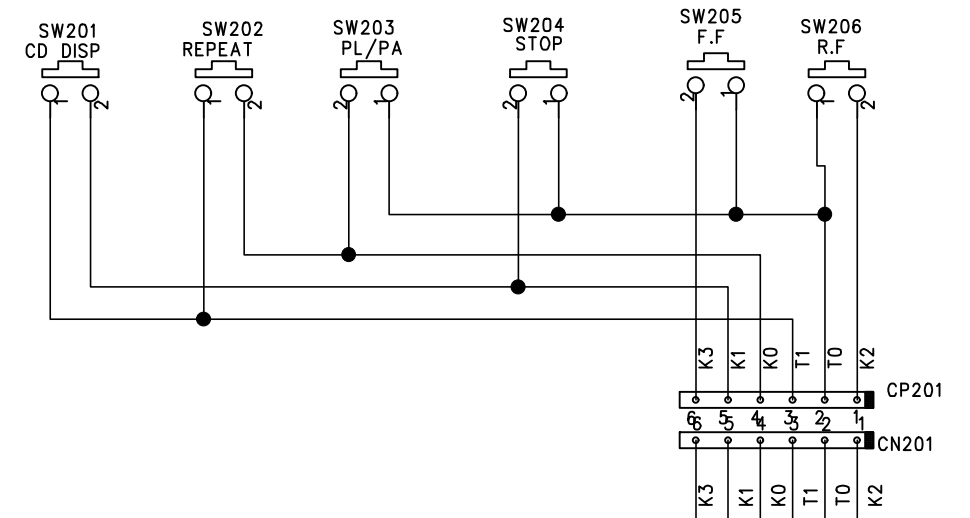
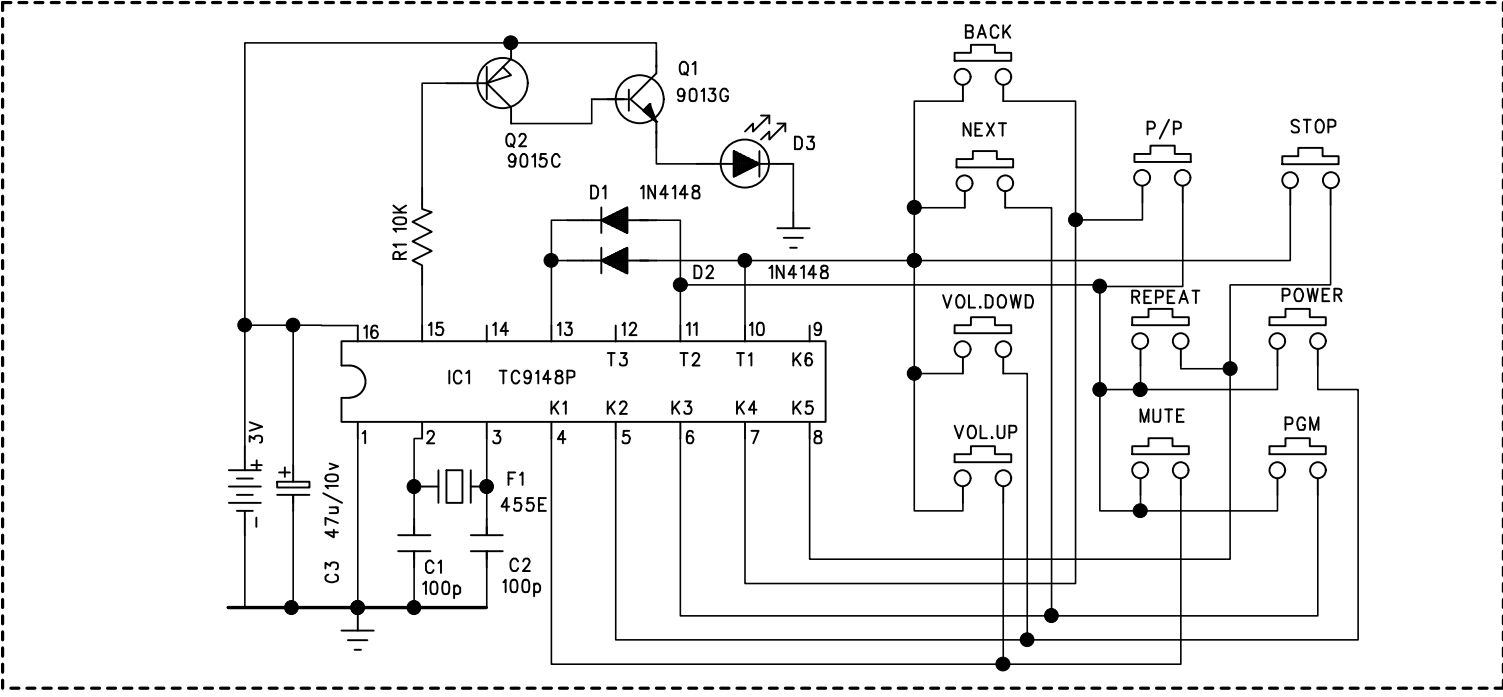
CP202 TO CN202

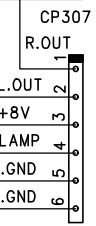
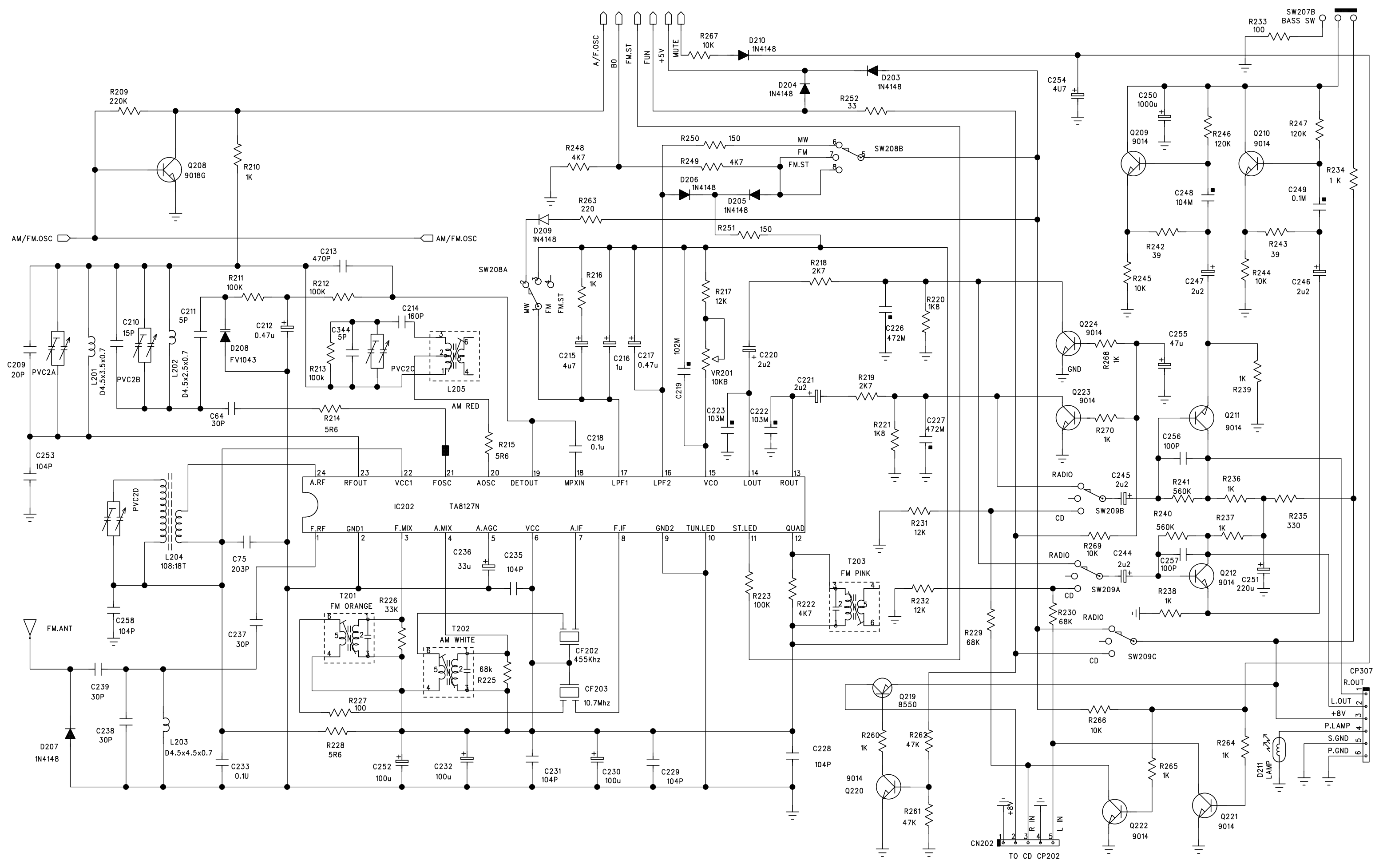
CON6

CON5

CON3

CON8





TO CD CP202