



L7

SPECIFICATIONS

ACOUSTIC & ELECTRICAL SPECIFICATIONS:

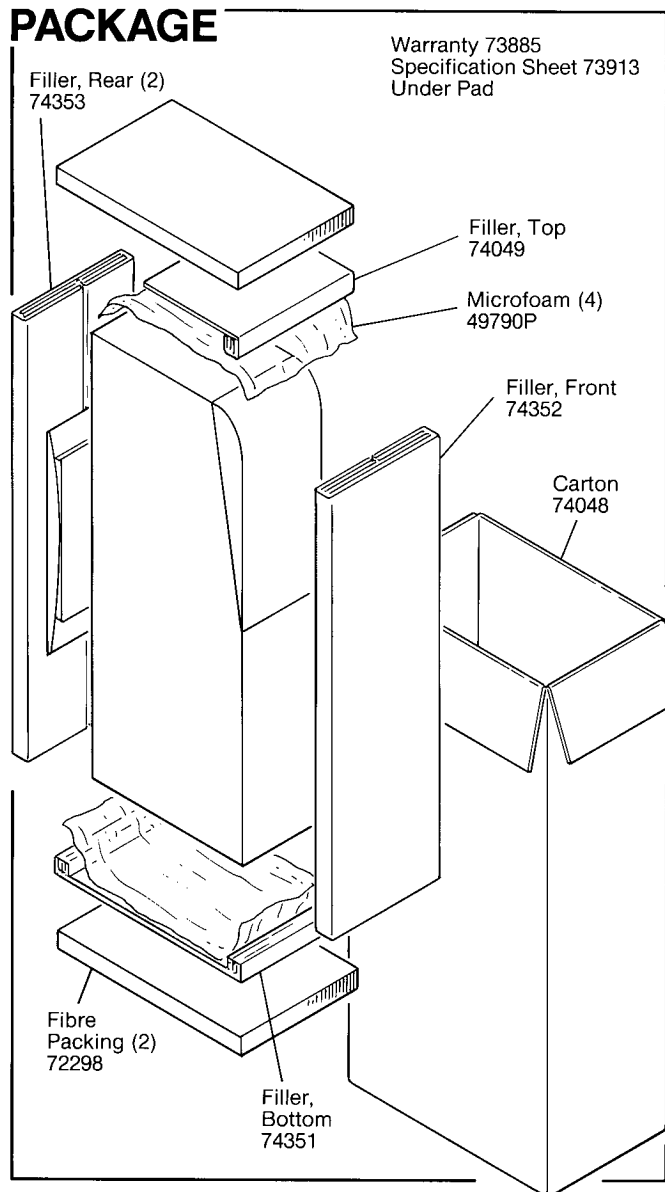
- Nominal Impedance: 6 ohm
- Recommended Amplifier Power: 35W to 450W
- Frequency Response: 30 Hz to 27 kHz (± 6 dB)
- Sensitivity: 91 dB SPL*
- Crossover Frequency: 180 Hz/900 Hz/4 kHz

SYSTEM COMPONENTS:

- Cabinet: CL7 Left and Right (Not For Sale)
- Grille: GL7 Front
GL7 Side
- Low Frequency Transducer: LE120H-1 12 in. (300mm) Cone Transducer

*1 Watt @ 1 Meter

PACKAGE



SYSTEM COMPONENTS: (cont'd)

- Low Frequency Transducer: 708G-1 8 in. (200mm) Cone Transducer
- Mid Frequency Transducer: 704G 5 in. (125mm) Cone Transducer
- High Frequency Transducer: 035TiA 1 in. (25mm) Pure Titanium Dome
- Crossover Network: NL7 High, NL7 Low

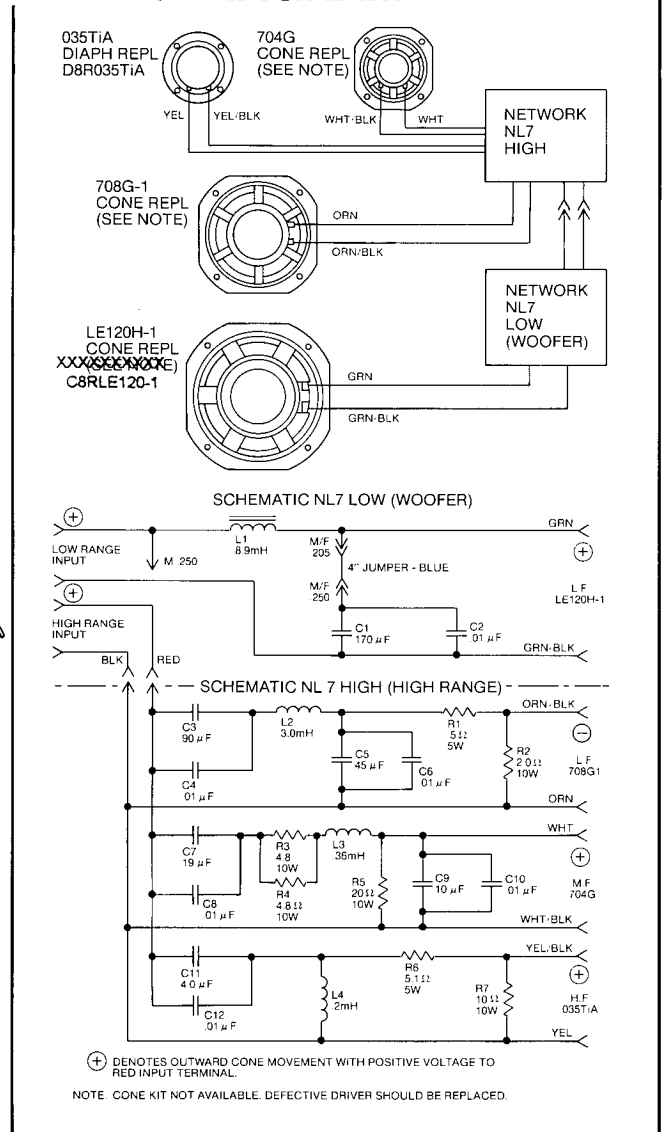
PHYSICAL SPECIFICATIONS:

- Enclosure Dimensions: 45.31 x 9.62 x 17.52 in. D (1165mm x 244mm x 447 mm D)
- Shipping Weight: 75 lbs. (34.1 kg.)

WARRANTY INFORMATION:

- Refer to the Warranty Statement packed with each product.

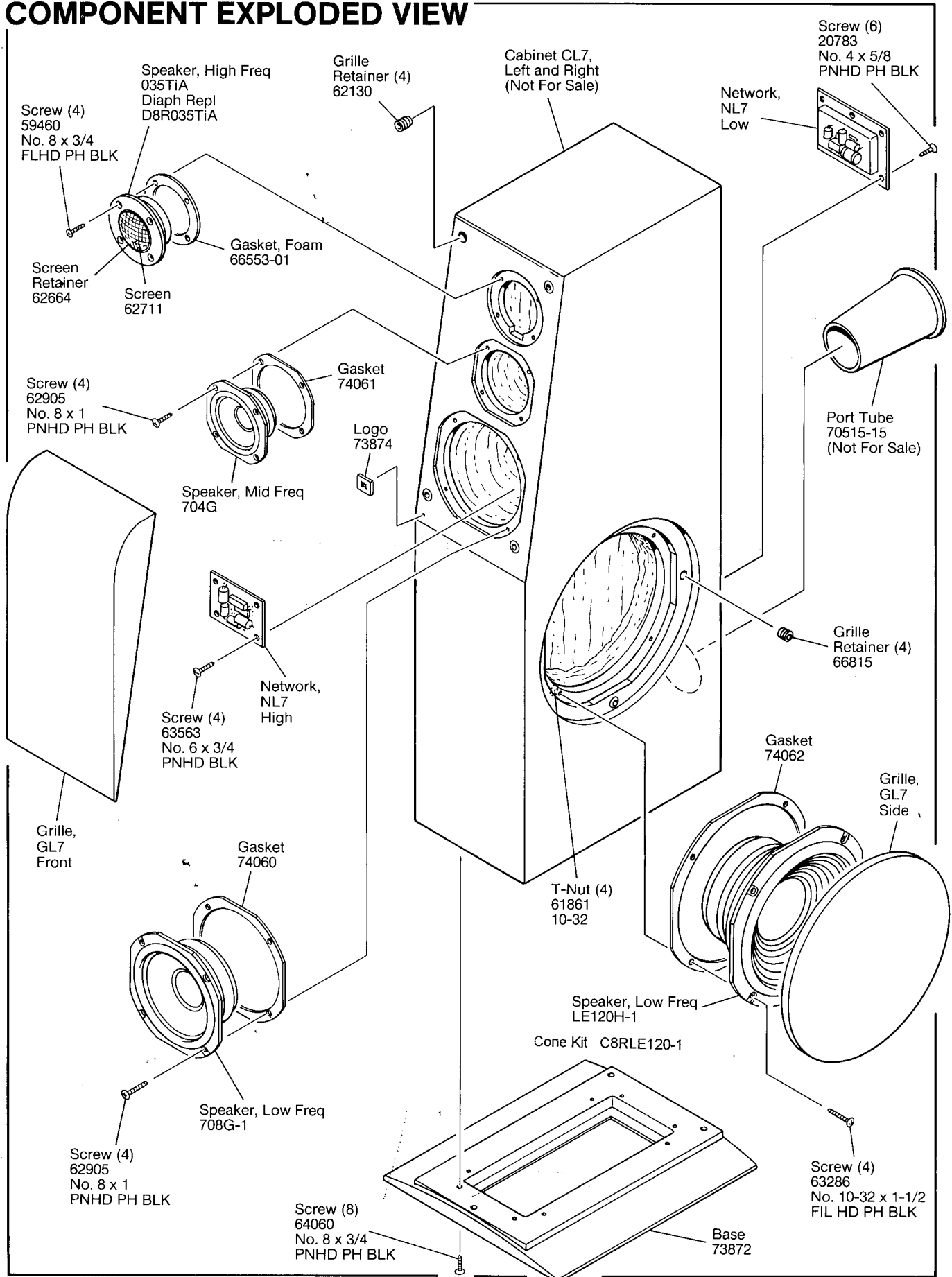
WIRING DIAGRAM



DRIVER	TEST VOLTAGE	SWEEP FREQUENCY	GAP GAUGE	DCR MIN-MAX.
035TiA	2.83	2KHZ-20KHZ	.031"	3.5-4.2 OHMS
704G	4	100HZ-1KHZ	NA	5.5-6.0 OHMS
708G-1	4	20HZ-1.2KHZ	NA	3.8-4.6 OHMS
LE120H-1	7	20HZ-1.2KHZ	.060"	5.9-6.8 OHMS

L7

COMPONENT EXPLODED VIEW



L7