

# PARTS LIST

[KD-G151]  
[KD-G152]  
[KD-S1501]

\* All printed circuit boards and its assemblies are not available as service parts.

## Area suffix

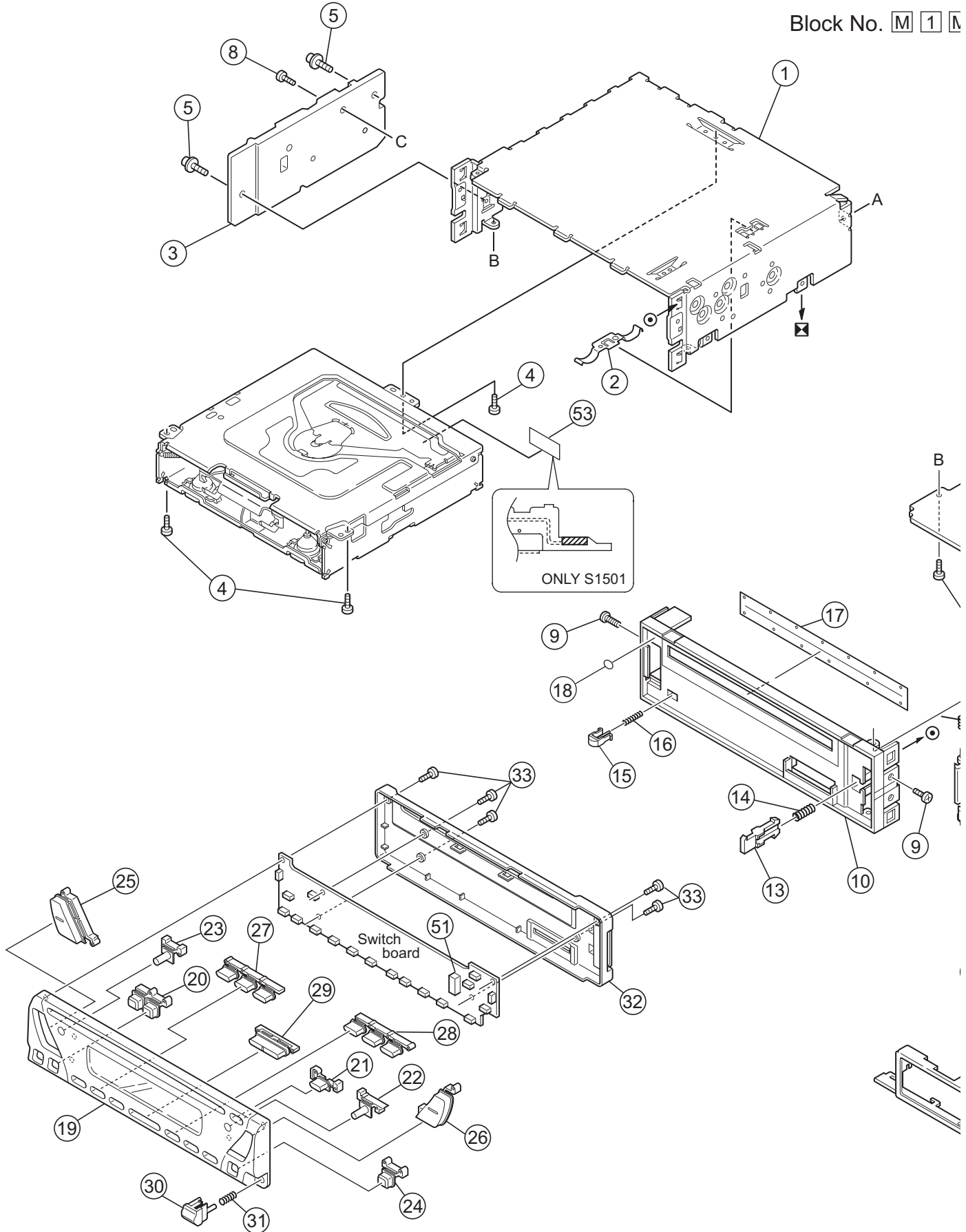
E ----- Continental Europe  
EX ----- Northern Europe  
EY ----- Eastern Europe  
EU ----- Turkey

## - Contents -

Exploded view of general assembly and parts list (Block No.M1) .....	3- 2
CD mechanism assembly and parts list (Block No.MB).....	3- 6
Electrical parts list (Block No.01~02)(KD-S1501_E.EX.EY.EU) .....	3- 8
Electrical parts list (Block No.03~04)(KD-G152/KD-G151_E.EX.EY.EU).....	3-12
Electrical parts list (Block No.05~06)(KD-S1501_E2.EX2.EY2.EU2) .....	3-16
Electrical parts list (Block No.07~08)(KD-G152/KD-G151_E2.EX2.EY2.EU2)---	3-20
Packing materials and accessories parts list (Block No.M3) .....	3-26

# Exploded view of general assembly and parts list

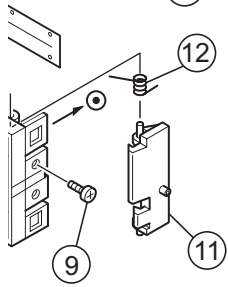
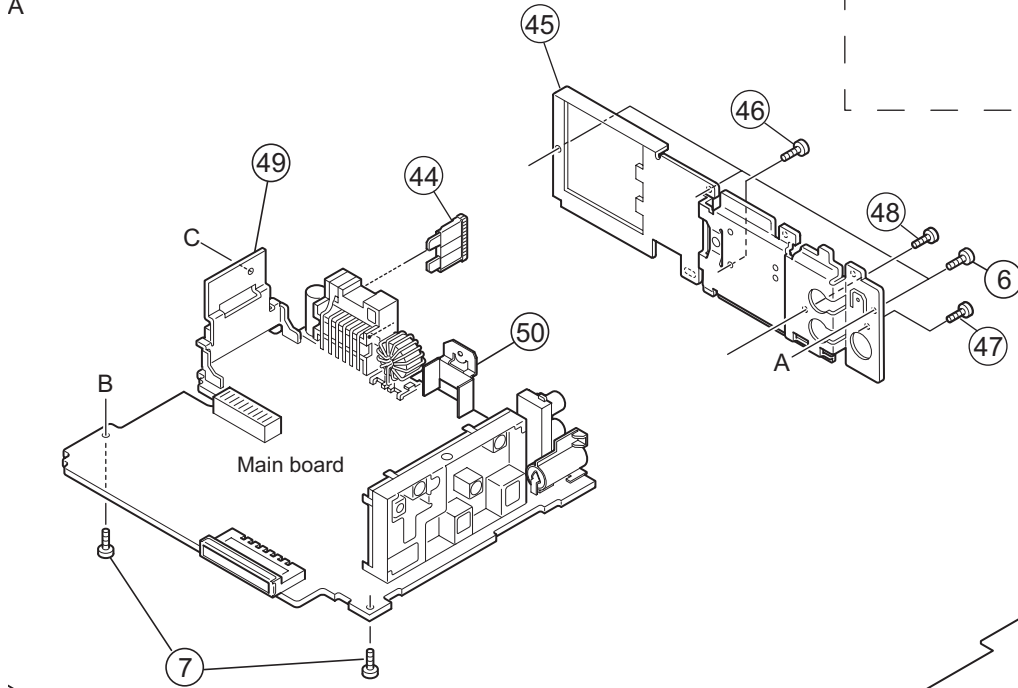
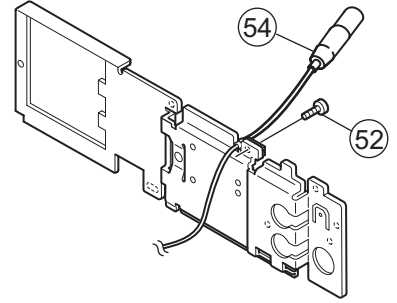
Block No. **M 1 N**



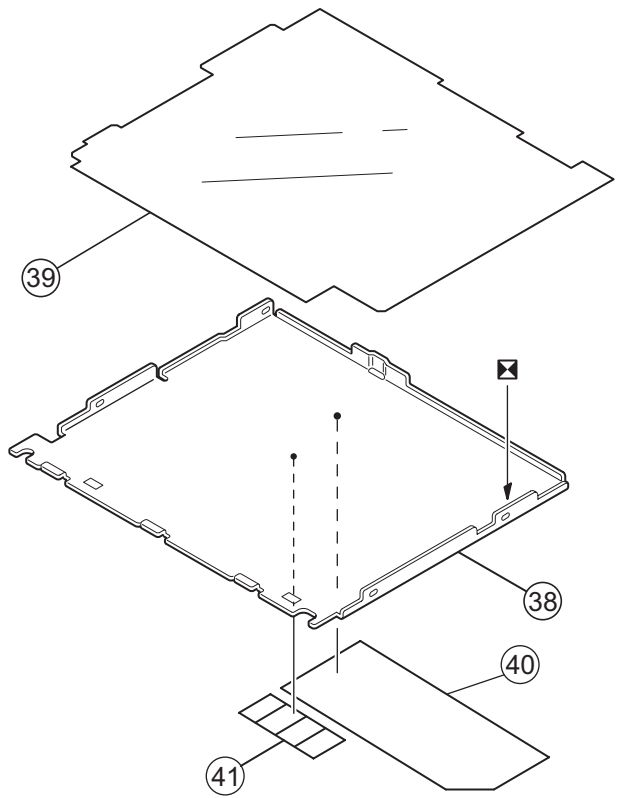
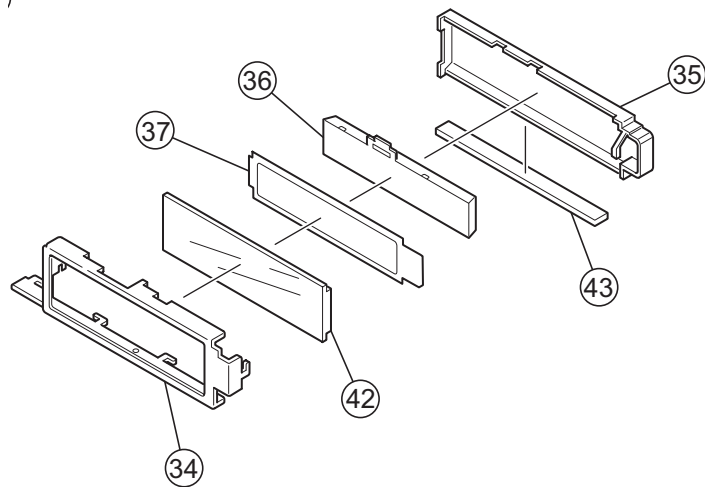
3. M 1 M M

ONLY S1501

A



)



# General Assembly

Block No. [M][1][M][M]

△	Symbol No.	Part No.	Part Name	Description	Local
	1	GE10104-001A	TOP CHASSIS		
	2	GE40135-001A	EARTH PLATE		
	3	GE30938-003A	SIDE PANEL		
	4	QYSDST2604ZA	TAP SCREW	M2.6 x 4mm(x3)	
	5	GE40235-001A	SCREW	(x2)	
	6	QYSDST2604ZA	TAP SCREW	M2.6 x 4mm(x3)	
	7	GE40235-004A	SCREW	(x2)	
	8	QYSDST2610ZA	TAP SCREW	M2.6 x 10mm	
	9	QYSDST2004ZA	TAP SCREW	M2 x 4mm(x2)	
	10	GE10103-001A	FRONT CHASSIS		
	11	GE31569-002A	LOCK LEVER		
	12	GE40269-001A	TORSION SPRING		
	13	GE31568-001A	RLS KNOB		
	14	GE40202-011A	COMP.SPRING		
	15	GE40250-001A	PANEL STOPPER		
	16	GE40202-009A	COMP.SPRING		
	17	GE40257-001A	BLIND		
	18	FSYH4036-098	SHEET		
	19	GE20176-009A	FRONT PANEL ASSY		G151E,G151E2,G151EU,G151EU2, G151EX,G151EX2,G151EY,G151EY2
	19	GE20176-003A	FRONT PANEL ASSY		G152E,G152E2,G152EU,G152EU2, G152EX,G152EX2,G152EY,G152EY2
	19	GE20176-004A	FRONT PANEL ASSY		S1501E,S1501E2,S1501EU,S1501EU2, S1501EX,S1501EX2,S1501EY,S1501EY2
	20	GE31561-006A	POWER/SEL BUTTO		G151E,G151E2,G151EU,G151EU2, G151EX,G151EX2,G151EY,G151EY2
	20	GE31561-002A	POWER/SEL BTN		G152E,G152E2,G152EU,G152EU2, G152EX,G152EX2,G152EY,G152EY2
	20	GE31561-003A	POWER/SEL BTN		S1501E,S1501E2,S1501EU,S1501EU2, S1501EX,S1501EX2,S1501EY,S1501EY2
	21	GE31572-012A	EQ BUTTON		G151E,G151E2,G151EU,G151EU2, G151EX,G151EX2,G151EY,G151EY2
	21	GE31572-004A	EQ BUTTON		G152E,G152E2,G152EU,G152EU2, G152EX,G152EX2,G152EY,G152EY2
	21	GE31572-006A	EQ BUTTON		S1501E,S1501E2,S1501EU,S1501EU2, S1501EX,S1501EX2,S1501EY,S1501EY2
	22	GE31562-001A	MODE BUTTON		
	23	GE31563-001A	DISP BUTTON		
	24	GE31564-001A	EJECT BUTTON		
	25	GE31560-001A	VOL BUTTON		G152E,G152E2,G152EU,G152EU2, G152EX,G152EX2,G152EY,G152EY2
	25	GE31560-006A	VOL BUTTON		G151E,G151E2,G151EU,G151EU2, G151EX,G151EX2,G151EY,G151EY2, S1501E,S1501E2,S1501EU,S1501EU2, S1501EX,S1501EX2,S1501EY,S1501EY2
	26	GE31559-001A	SEARCH BUTTON		G152E,G152E2,G152EU,G152EU2, G152EX,G152EX2,G152EY,G152EY2
	26	GE31559-006A	SEARCH BUTTON		G151E,G151E2,G151EU,G151EU2, G151EX,G151EX2,G151EY,G151EY2, S1501E,S1501E2,S1501EU,S1501EU2, S1501EX,S1501EX2,S1501EY,S1501EY2
	27	GE31555-001A	PRESET BTN (L)		G152E,G152E2,G152EU,G152EU2, G152EX,G152EX2,G152EY,G152EY2
	27	GE31555-006A	PRESET BTN(L)		G151E,G151E2,G151EU,G151EU2, G151EX,G151EX2,G151EY,G151EY2, S1501E,S1501E2,S1501EU,S1501EU2, S1501EX,S1501EX2,S1501EY,S1501EY2
	28	GE31556-001A	PRESET BTN (R)		G152E,G152E2,G152EU,G152EU2, G152EX,G152EX2,G152EY,G152EY2
	28	GE31556-006A	PRESET BTN(R)		G151E,G151E2,G151EU,G151EU2, G151EX,G151EX2,G151EY,G151EY2, S1501E,S1501E2,S1501EU,S1501EU2, S1501EX,S1501EX2,S1501EY,S1501EY2
	29	GE31557-009A	D.FUNC BUTTON		G151E,G151E2,G151EU,G151EU2, G151EX,G151EX2,G151EY,G151EY2
	29	GE31557-001A	D FUNCT BUTTON		G152E,G152E2,G152EU,G152EU2, G152EX,G152EX2,G152EY,G152EY2
	29	GE31557-007A	D.FUNC BUTTON		S1501E,S1501E2,S1501EU,S1501EU2, S1501EX,S1501EX2,S1501EY,S1501EY2
	30	GE31558-005A	DETACH BUTTON		G151E,G151E2,G151EU,G151EU2, G151EX,G151EX2,G151EY,G151EY2
	30	GE31558-002A	DETACH BUTTON		G152E,G152E2,G152EU,G152EU2, G152EX,G152EX2,G152EY,G152EY2
	30	GE31558-003A	DETACH BUTTON		S1501E,S1501E2,S1501EU,S1501EU2, S1501EX,S1501EX2,S1501EY,S1501EY2
	31	GE40202-010A	COMP.SPRING		
	32	GE10102-001A	REAR COVER		
	33	VKZ4777-010	MINI SCREW	(x5)	

△	Symbol No.	Part No.	Part Name	Description	Local
	34	GE31565-001A	LCD CASE		
	35	GE31566-001A	LENS CASE		
	36	GE31567-001A	LCD LENS		
	37	GE40248-001A	LIGHTING SHEET		
	38	GE31570-001A	BOTTOM COVER		
	39	FSMA3004-203	INSULATOR		
	40	GE31401-001A	NAME PLATE		G151E,G151EU,G151EX,G151EY
	40	GE31401-002A	NAME PLATE		G151E2,G151EU2,G151EX2,G151EY2
	40	GE31431-001A	NAME PLATE		G152E,G152EU,G152EX,G152EY
	40	GE31431-002A	NAME PLATE		G152E2,G152EU2,G152EX2,G152EY2
	40	GE31404-001A	NAME PLATE		S1501E,S1501EU,S1501EX,S1501EY
	40	GE31404-002A	NAME PLATE		S1501E2,S1501EU2,S1501EX2,S1501EY2
	41	LV41843-002A	LASER CAUTION		
	42	QLD0350-001	LCD MODULE		
	43	QNZ0442-001	LCD CONNECTOR		
△	44	QMFZ047-150-T	FUSE	15A	
	45	GE31571-006A	REAR BRACKET		
	46	QYSDST2606ZA	TAP SCREW	M2.6 x 6mm	
	47	QYSDST2606ZA	TAP SCREW	M2.6 x 6mm	
	48	QYSDSF2606ZA	TAP SCREW	M2.6 x 6mm	
	49	GE40172-004A	IC BRACKET		
	50	GE40124-002A	REG BRACKET		
	51	GE30854-001A	LED HOLDER		
	52	QYSDST2604ZA	TAP SCREW	M2.6 x 4mm	S1501E,S1501E2,S1501EU,S1501EU2, S1501EX,S1501EX2,S1501EY,S1501EY2
	53	FSYH4036-100	SHEET		S1501E,S1501E2,S1501EU,S1501EU2, S1501EX,S1501EX2,S1501EY,S1501EY2
	54	QAM0682-001	STEERING REMOTE		S1501E,S1501E2,S1501EU,S1501EU2, S1501EX,S1501EX2,S1501EY,S1501EY2

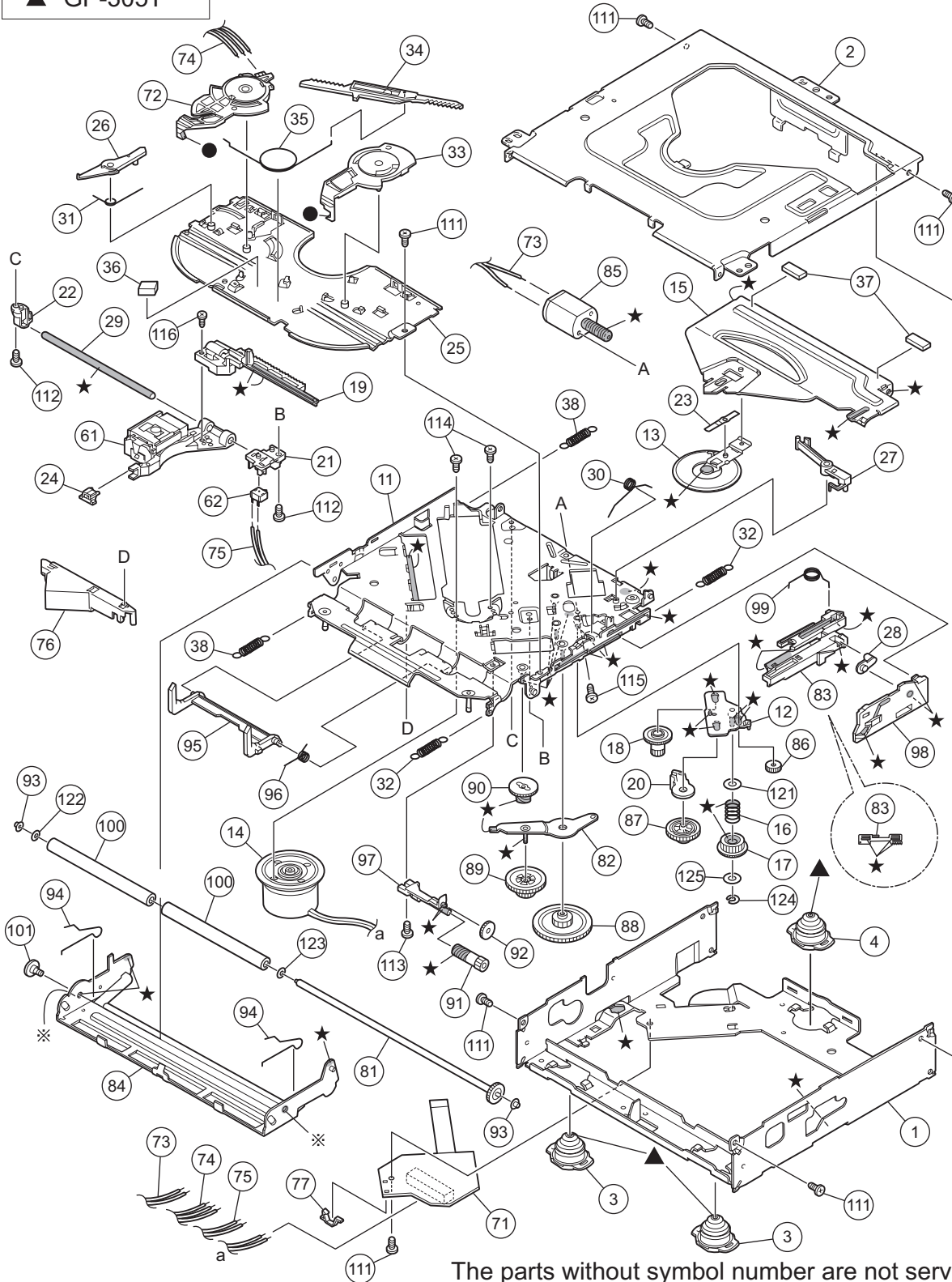
# CD mechanism assembly and parts list

## Grease

- ★ TNG-87
- ※ GP-501MK
- CFD-005Z
- ▲ GP-305T

TN-2001-1011

Block No. **M** **B** **M** **M**



# CD mechanism

Block No. [M][B][M][M]

△	Symbol No.	Part No.	Part Name	Description	Local
	1	30320101T	FRAME		
	2	30320102T	TOP COVER		
	3	30320115T	DANPER F		
	4	30320116T	DANPER R		
	11	303205505T	CHASSIS RIVET		
	12	303205503T	CHANGE P. RVT A		
	13	303205301T	CLAMPER ASS'Y		
	14	303205302T	SPINDLE MOTOR A		
	15	30320502T	CLAMPER ARM		
	16	30320503T	CHANGE GEAR SPG		
	17	30320505T	CHANGE GEAR 2		
	18	30320506T	FEED GEAR		
	19	30320507T	FEED RACK		
	20	30320509T	CHANGE LOCK RAR		
	21	30320510T	FEED SW HOLDER		
	22	30320511T	PU SHAFT HOLDER		
	23	30320513T	CLAMPER SUB SPG		
	24	30320514T	FD SUB HOLDER		
	25	30320518T	TOP PLATE		
	26	30320519T	SELECT LOCK ARM		
	27	30320520T	TRIGGER ARM		
	28	30320521T	SLIDE HOOK		
	29	30320522T	PU SHAFT		
	30	30320525T	CLAMPER ARM SPG		
	31	30320526T	SELECT L ARM SP		
	32	30320538T	SUSPENSION SP R		
	33	30320529T	SELECT ARM R		
	34	30320530T	LINK PLATE		
	35	30320531T	LINK PLATE SPG		
	36	30320523T	CUSHION F		
	37	30320524T	CUSHION R		
	38	30320539T	SUSPENSION SP L		
	61	69011614T	PICKUP OPT-725		
	62	64180406T	DET SW ESE22		
	71	303210301T	CONN PWB ASS'Y		
	72	30321002T	MODE SW		
	73	30321003T	LOAD MOTOR WIRE		
	74	30321005T	MODE SW WIRE		
	75	30321009T	SL WIRE		
	76	30321011T	WIRE HOLDER		
	77	19501403T	WIRE CLUMPER		
	81	303211301T	ROLLER SHAFT AS		
	82	303211501T	L GEAR PLATE RV		
	83	303211302T	LOADING PLATE A		
	84	303211502T	LOCK ARM RV ASS		
	85	303211303T	L/F MOTOR ASS'Y		
	86	30321101T	LOADING GEAR 1		
	87	30321102T	LOADING GEAR 2		
	88	30321103T	LOADING GEAR 3		
	89	30321104T	LOADING GEAR 4		
	90	30321105T	LOADING GEAR 5		
	91	30321106T	LOADING GEAR 6		
	92	30321107T	LOADING GEAR 7		
	93	30321149T	ROLLER GUIDE		
	94	30321114T	ROLLER GUIDE SP		
	95	30321116T	DISC STOPPER AR		
	96	30321117T	DISC ST ARM SPG		
	97	30321118T	LD GEAR BRACKET		
	98	30321125T	L SIDE PLATE		
	99	30321131T	LOAD PLATE SPG		
	100	30321133T	LDG ROLLER		
	101	18211223T	COLLAR SCREW		
	111	9P0420031T	SCREW		
	112	9P0420041T	TAP.SCREW		
	113	9B0320041T	SCREW		
	114	9C0117183T	SCREW		
	115	9C0120203T	SCREW		
	116	9C0317503T	SCREW		
	121	9W0130170T	PW 3.5X8X0.3		
	122	9W0513060T	HL WASHER		
	123	9W0710070T	L WASHER		
	124	9E0100152T	E RING		
	125	9W0113020T	PW 2.1X4X0.13		

# Electrical parts list

## Main board (KD-S1501\_E.EX.EY.EU)

Block No. [0][1]

Symbol No.	Part No.	Part Name	Description	Local
IC71	LC72725M-X	IC		
IC161	TEA6320T-X	IC		
IC301	LA4743K	POWER IC		
IC501	TA2157FN-X	RF AMP IC		
IC521	TC94A14FA	CD LSI IC		
IC561	LA6242H-X	IC		
IC571	NJM4565M-WE	IC		
IC701	UPD178078GF-690	IC		
IC901	HA13164A	IC		
Q1	UN2211-X	TRANSISTOR		
Q2	2SD601A/QR/-X	TRANSISTOR		
Q3	UN2111-X	TRANSISTOR		
Q4	2SB709A/R/-X	TRANSISTOR		
Q5	2SB624/4/-X	TRANSISTOR		
Q6	UN2211-X	TRANSISTOR		
Q7	UN2211-X	TRANSISTOR		
Q31	2SD601A/QR/-X	TRANSISTOR		
Q32	2SD601A/QR/-X	TRANSISTOR		
Q41	2SC3661-X	TRANSISTOR		
Q42	2SC3661-X	TRANSISTOR		
Q51	2SD601A/QR/-X	TRANSISTOR		
Q52	2SD601A/QR/-X	TRANSISTOR		
Q53	UN2211-X	TRANSISTOR		
Q71	UN2111-X	TRANSISTOR		
Q73	2SD601A/QR/-X	TRANSISTOR		
Q74	2SD601A/QR/-X	TRANSISTOR		
Q341	KTD1304-X	TRANSISTOR		
Q351	KTD1304-X	TRANSISTOR		
Q501	2SB1241/QR/-T	TRANSISTOR		
Q521	UN2111-X	TRANSISTOR		
Q522	UN2211-X	TRANSISTOR		
Q561	2SB1322/RS/-T	TRANSISTOR		
Q761	2SB624/4/-X	TRANSISTOR		
Q762	2SB624/4/-X	TRANSISTOR		
Q763	UN2211-X	TRANSISTOR		
Q781	UN2111-X	TRANSISTOR		
Q782	UN2211-X	TRANSISTOR		
Q783	UN2111-X	TRANSISTOR		
Q891	UN2211-X	TRANSISTOR		
Q901	2SB709A/QR/-X	TRANSISTOR		
Q902	UN2211-X	TRANSISTOR		
D1	MA111-X	SI DIODE		
D2	MA111-X	SI DIODE		
D3	MA111-X	SI DIODE		
D4	MA111-X	SI DIODE		
D71	MA111-X	SI DIODE		
D321	MA111-X	SI DIODE		
D341	MA111-X	SI DIODE		
D561	1A3G-T1	SI DIODE		
D702	MA8062/M/-X	Z DIODE		
D703	MA8062/M/-X	Z DIODE		
D704	MA8062/M/-X	Z DIODE		
D705	MA8062/M/-X	Z DIODE		
D706	MA8062/M/-X	Z DIODE		
D707	MA8062/M/-X	Z DIODE		
D708	MA8062/M/-X	Z DIODE		
D761	MA111-X	SI DIODE		
D762	MA111-X	SI DIODE		
D781	MA111-X	SI DIODE		
D782	MA111-X	SI DIODE		
D783	MA8110/M/-X	Z DIODE		
D891	MA111-X	SI DIODE		
D892	MA111-X	SI DIODE		
D901	1N5401-F64	DIODE		
D902	MA111-X	SI DIODE		
D971	RB160M-30-X	SB DIODE		
D972	RB160M-30-X	SB DIODE		
C2	NCB31EK-473X	C CAPACITOR	0.047uF 25V K	

Symbol No.	Part No.	Part Name	Description	Local
C3	QEKJ1HM-474Z	E CAPACITOR	0.47uF 50V M	
C4	QEKJ1AM-227Z	E CAPACITOR	220uF 10V M	
C5	NDC31HJ-101X	C CAPACITOR	100pF 50V J	
C6	QEKJ1AM-107Z	E CAPACITOR	100uF 10V M	
C8	NCB31HK-102X	C CAPACITOR	1000pF 50V K	
C9	QEKJ1AM-227Z	E CAPACITOR	220uF 10V M	
C10	QEKJ1HM-105Z	E CAPACITOR	1uF 50V M	
C31	QEKJ1HM-225Z	E CAPACITOR	2.2uF 50V M	
C32	NCS31HJ-102X	C CAPACITOR	1000pF 50V J	
C41	NCB21EK-124X	C CAPACITOR	0.12uF 25V K	
C42	NCB31HK-333X	C CAPACITOR	0.033uF 50V K	
C43	QEKJ1CM-107Z	E CAPACITOR	100uF 16V M	
C51	QEKJ1HM-474Z	E CAPACITOR	0.47uF 50V M	
C52	NCB31EK-472X	C CAPACITOR	4700pF 25V K	
C53	NCB31EK-104X	C CAPACITOR	0.1uF 25V K	
C54	NCB31EK-103X	C CAPACITOR	0.01uF 25V K	
C55	NDC31HJ-331X	C CAPACITOR	330pF 50V J	
C71	NDC31HJ-820X	C CAPACITOR	82pF 50V J	
C72	NDC31HJ-470X	C CAPACITOR	47pF 50V J	
C73	NCB31HK-103X	C CAPACITOR	0.01uF 50V K	
C74	QEKJ0JM-476Z	E CAPACITOR	47uF 6.3V M	
C75	NDC31HJ-561X	C CAPACITOR	560pF 50V J	
C76	NDC31HJ-331X	C CAPACITOR	330pF 50V J	
C77	QEKJ1CM-106Z	E CAPACITOR	10uF 16V M	
C78	NCB31EK-104X	C CAPACITOR	0.1uF 25V K	
C79	NCB31EK-103X	C CAPACITOR	0.01uF 25V K	
C81	NCB31HK-102X	C CAPACITOR	1000pF 50V K	
C82	NCB31EK-123X	C CAPACITOR	0.012uF 25V K	
C83	NCB31HK-222X	C CAPACITOR	2200pF 50V K	
C84	QEKJ1HM-105Z	E CAPACITOR	1uF 50V M	
C91	NCB31HK-102X	C CAPACITOR	1000pF 50V K	
C92	NCB31EK-123X	C CAPACITOR	0.012uF 25V K	
C93	NCB31HK-222X	C CAPACITOR	2200pF 50V K	
C94	QEKJ1HM-105Z	E CAPACITOR	1uF 50V M	
C162	NCB31HK-822X	C CAPACITOR	8200pF 50V K	
C163	NCB31CK-224X	C CAPACITOR	0.22uF 16V K	
C164	NCB31CK-224X	C CAPACITOR	0.22uF 16V K	
C165	NCB31CK-333X	C CAPACITOR	0.033uF 16V K	
C166	NCB31HK-562X	C CAPACITOR	5600pF 50V K	
C167	QEKJ1HM-475Z	E CAPACITOR	4.7uF 50V M	
C168	QEKJ1HM-475Z	E CAPACITOR	4.7uF 50V M	
C172	NCB31HK-822X	C CAPACITOR	8200pF 50V K	
C173	NCB31CK-224X	C CAPACITOR	0.22uF 16V K	
C174	NCB31CK-224X	C CAPACITOR	0.22uF 16V K	
C175	NCB31CK-333X	C CAPACITOR	0.033uF 16V K	
C176	NCB31HK-562X	C CAPACITOR	5600pF 50V K	
C177	QEKJ1HM-475Z	E CAPACITOR	4.7uF 50V M	
C178	QEKJ1HM-475Z	E CAPACITOR	4.7uF 50V M	
C182	QTE1H54-225Z	E CAPACITOR	2.2uF 50V	
C183	QTE1H54-225Z	E CAPACITOR	2.2uF 50V	
C185	QEKJ1HM-105Z	E CAPACITOR	1uF 50V M	
C186	QEKJ1HM-105Z	E CAPACITOR	1uF 50V M	
C191	QEKJ1CM-476Z	E CAPACITOR	47uF 16V M	
C192	QEKJ1AM-107Z	E CAPACITOR	100uF 10V M	
C193	QEKJ1CM-107Z	E CAPACITOR	100uF 16V M	
C194	NCB31CK-103X	C CAPACITOR	0.01uF 16V K	
C195	NCB31CK-224X	C CAPACITOR	0.22uF 16V K	
C196	NCB31EK-104X	C CAPACITOR	0.1uF 25V K	
C301	QEKJ1EM-475Z	E CAPACITOR	4.7uF 25V M	
C302	NCB31HK-223X	C CAPACITOR	0.022uF 50V K	
C303	QERF1CM-476Z	E CAPACITOR	47uF 16V M	
C304	QEKJ1CM-107Z	E CAPACITOR	100uF 16V M	
C305	QERF1CM-226Z	E CAPACITOR	22uF 16V M	
C306	NCB31HK-223X	C CAPACITOR	0.022uF 50V K	
C308	NCB31EK-104X	C CAPACITOR	0.1uF 25V K	
C309	NCB31EK-104X	C CAPACITOR	0.1uF 25V K	
C310	NCB31EK-104X	C CAPACITOR	0.1uF 25V K	
C311	NCB31EK-104X	C CAPACITOR	0.1uF 25V K	
C312	NDC31HJ-101X	C CAPACITOR	100pF 50V J	
C313	NDC31HJ-101X	C CAPACITOR	100pF 50V J	
C314	NDC31HJ-101X	C CAPACITOR	100pF 50V J	
C315	NDC31HJ-101X	C CAPACITOR	100pF 50V J	
C316	NDC31HJ-101X	C CAPACITOR	100pF 50V J	
C317	NDC31HJ-101X	C CAPACITOR	100pF 50V J	
C318	NDC31HJ-101X	C CAPACITOR	100pF 50V J	



Symbol No.	Part No.	Part Name	Description	Local	Symbol No.	Part No.	Part Name	Description	Local
C319	NDC31HJ-101X	C CAPACITOR	100pF 50V J		C594	NCS31HJ-821X	C CAPACITOR	820pF 50V J	
C321	NDC31HJ-101X	C CAPACITOR	100pF 50V J		C595	QEKJ0JM-476Z	E CAPACITOR	47uF 6.3V M	
C322	QFV91HJ-474Z	MF CAPACITOR	0.47uF 50V J		C596	QEKJ1CM-107Z	E CAPACITOR	100uF 16V M	
C331	NDC31HJ-101X	C CAPACITOR	100pF 50V J		C597	NCS31HJ-102X	C CAPACITOR	1000pF 50V J	
C332	QFV91HJ-474Z	MF CAPACITOR	0.47uF 50V J		C703	NCB31HK-103X	C CAPACITOR	0.01uF 50V K	
C333	NCB31EK-473X	C CAPACITOR	0.047uF 25V K		C704	NBE40JM-476X	TA E CAPACITOR	47uF 6.3V M	
C341	NDC31HJ-101X	C CAPACITOR	100pF 50V J		C705	NCB31EK-104X	C CAPACITOR	0.1uF 25V K	
C342	QFV91HJ-474Z	MF CAPACITOR	0.47uF 50V J		C706	NCB31EK-104X	C CAPACITOR	0.1uF 25V K	
C351	NDC31HJ-101X	C CAPACITOR	100pF 50V J		C707	NDC31HJ-270X	C CAPACITOR	27pF 50V J	
C352	QFV91HJ-474Z	MF CAPACITOR	0.47uF 50V J		C708	NDC31HJ-220X	C CAPACITOR	22pF 50V J	
C501	NCB31HK-103X	C CAPACITOR	0.01uF 50V K		C709	QEKJ1AM-107Z	E CAPACITOR	100uF 10V M	
C502	NCB31HK-103X	C CAPACITOR	0.01uF 50V K		C710	NCB31EK-103X	C CAPACITOR	0.01uF 25V K	
C503	QEKJ0JM-107Z	E CAPACITOR	100uF 6.3V M		C711	NCB31EK-104X	C CAPACITOR	0.1uF 25V K	
C504	NCB31HK-103X	C CAPACITOR	0.01uF 50V K		C712	NCB31EK-104X	C CAPACITOR	0.1uF 25V K	
C505	QEKJ0JM-107Z	E CAPACITOR	100uF 6.3V M		C713	NCB31HK-103X	C CAPACITOR	0.01uF 50V K	
C507	NCB31HK-682X	C CAPACITOR	6800pF 50V K		C714	NCB31AK-334X	C CAPACITOR	0.33uF 10V K	
C508	NCB31HK-103X	C CAPACITOR	0.01uF 50V K		C717	NCB31EK-104X	C CAPACITOR	0.1uF 25V K	
C509	QEKJ0JM-107Z	E CAPACITOR	100uF 6.3V M		C718	NCB31EK-104X	C CAPACITOR	0.1uF 25V K	
C510	NCB31EK-104X	C CAPACITOR	0.1uF 25V K		C781	QERF1AM-227Z	E CAPACITOR	220uF 10V M	
C511	NCB31EK-104X	C CAPACITOR	0.1uF 25V K		C782	QERF1CM-226Z	E CAPACITOR	22uF 16V M	
C512	NDC31HJ-820X	C CAPACITOR	82pF 50V J		C783	NCB31CK-224X	C CAPACITOR	0.22uF 16V K	
C513	NCB31HK-103X	C CAPACITOR	0.01uF 50V K		C784	QEKJ1EM-475Z	E CAPACITOR	4.7uF 25V M	
C514	NDC31HJ-5R0X	C CAPACITOR	5pF 50V J		C891	NCB31EK-104X	C CAPACITOR	0.1uF 25V K	
C515	NCB31HK-103X	C CAPACITOR	0.01uF 50V K		C901	QEZ0646-228	E CAPACITOR	2200uF	
C516	NCB31HK-103X	C CAPACITOR	0.01uF 50V K		C902	QEKJ1HM-225Z	E CAPACITOR	2.2uF 50V M	
C517	NCB31HK-103X	C CAPACITOR	0.01uF 50V K		C903	QEKJ1CM-476Z	E CAPACITOR	47uF 16V M	
C521	NCB31HK-103X	C CAPACITOR	0.01uF 50V K		C904	QEKJ1CM-106Z	E CAPACITOR	10uF 16V M	
C522	QEKJ0JM-107Z	E CAPACITOR	100uF 6.3V M		C905	QEKJ1CM-476Z	E CAPACITOR	47uF 16V M	
C523	NDC31HJ-470X	C CAPACITOR	47pF 50V J		C906	NCB31EK-103X	C CAPACITOR	0.01uF 25V K	
C524	NCB31HK-153X	C CAPACITOR	0.015uF 50V K		C907	QEKJ1AM-227Z	E CAPACITOR	220uF 10V M	
C525	NCB31HK-103X	C CAPACITOR	0.01uF 50V K		C908	QEKJ1AM-227Z	E CAPACITOR	220uF 10V M	
C526	NCB31HK-272X	C CAPACITOR	2700pF 50V K		C909	QEKJ1AM-227Z	E CAPACITOR	220uF 10V M	
C527	NCB31HK-103X	C CAPACITOR	0.01uF 50V K		C910	QEKJ1CM-106Z	E CAPACITOR	10uF 16V M	
C528	NCB31EK-333X	C CAPACITOR	0.033uF 25V K		C911	NCB31EK-104X	C CAPACITOR	0.1uF 25V K	
C529	QEKJ0JM-107Z	E CAPACITOR	100uF 6.3V M		C912	NCB31HK-103X	C CAPACITOR	0.01uF 50V K	
C530	NCB31EK-333X	C CAPACITOR	0.033uF 25V K		C913	QEKJ1CM-106Z	E CAPACITOR	10uF 16V M	
C531	NCB31EK-473X	C CAPACITOR	0.047uF 25V K		C914	QEKJ1CM-107Z	E CAPACITOR	100uF 16V M	
C533	NDC31HJ-471X	C CAPACITOR	470pF 50V J		C915	NCB31EK-104X	C CAPACITOR	0.1uF 25V K	
C534	NDC31HJ-471X	C CAPACITOR	470pF 50V J		C918	NDC31HJ-101X	C CAPACITOR	100pF 50V J	
C535	NCB31EK-473X	C CAPACITOR	0.047uF 25V K		C971	NCB31EK-104X	C CAPACITOR	0.1uF 25V K	
C536	NCB31EK-473X	C CAPACITOR	0.047uF 25V K		R1	NRSA63J-101X	MG RESISTOR	100Ω 1/16W J	
C537	NCB31EK-473X	C CAPACITOR	0.047uF 25V K		R2	NRSA63J-103X	MG RESISTOR	10kΩ 1/16W J	
C538	NCB31EK-473X	C CAPACITOR	0.047uF 25V K		R4	NRSA63J-472X	MG RESISTOR	4.7kΩ 1/16W J	
C539	QEKJ0JM-107Z	E CAPACITOR	100uF 6.3V M		R5	NRSA63J-473X	MG RESISTOR	47kΩ 1/16W J	
C540	NCB31HK-103X	C CAPACITOR	0.01uF 50V K		R6	NRSA63J-473X	MG RESISTOR	47kΩ 1/16W J	
C541	NCB31HK-103X	C CAPACITOR	0.01uF 50V K		R7	NRSA63J-472X	MG RESISTOR	4.7kΩ 1/16W J	
C544	NCB31HK-103X	C CAPACITOR	0.01uF 50V K		R8	NRSA63J-473X	MG RESISTOR	47kΩ 1/16W J	
C545	QEKJ0JM-107Z	E CAPACITOR	100uF 6.3V M		R9	NRSA63J-332X	MG RESISTOR	3.3kΩ 1/16W J	
C546	NDC31HJ-101X	C CAPACITOR	100pF 50V J		R10	NRS181J-100X	MG RESISTOR	10Ω 1/8W J	
C547	NCB31EK-104X	C CAPACITOR	0.1uF 25V K		R11	NRSA63J-103X	MG RESISTOR	10kΩ 1/16W J	
C548	QEKJ0JM-107Z	E CAPACITOR	100uF 6.3V M		R31	NRSA63J-102X	MG RESISTOR	1kΩ 1/16W J	
C549	NCB31HK-103X	C CAPACITOR	0.01uF 50V K		R32	NRSA63J-103X	MG RESISTOR	10kΩ 1/16W J	
C550	QEKJ1HM-105Z	E CAPACITOR	1uF 50V M		R33	NRSA63J-152X	MG RESISTOR	1.5kΩ 1/16W J	
C551	QEKJ1AM-107Z	E CAPACITOR	100uF 10V M		R35	NRSA63J-102X	MG RESISTOR	1kΩ 1/16W J	
C552	NCB31HK-103X	C CAPACITOR	0.01uF 50V K		R41	NRSA63J-332X	MG RESISTOR	3.3kΩ 1/16W J	
C553	NDC31HJ-100X	C CAPACITOR	10pF 50V J		R42	NRSA63J-102X	MG RESISTOR	1kΩ 1/16W J	
C554	NDC31HJ-100X	C CAPACITOR	10pF 50V J		R43	NRSA63J-102X	MG RESISTOR	1kΩ 1/16W J	
C555	QEKJ0JM-107Z	E CAPACITOR	100uF 6.3V M		R44	NRSA02J-330X	MG RESISTOR	33Ω 1/10W J	
C556	NCB31EK-104X	C CAPACITOR	0.1uF 25V K		R45	NRSA63J-102X	MG RESISTOR	1kΩ 1/16W J	
C559	NCB31HK-182X	C CAPACITOR	1800pF 50V K		R51	NRSA63J-471X	MG RESISTOR	470Ω 1/16W J	
C560	NCB31EK-473X	C CAPACITOR	0.047uF 25V K		R52	NRSA63J-153X	MG RESISTOR	15kΩ 1/16W J	
C561	QEKJ0JM-476Z	E CAPACITOR	47uF 6.3V M		R53	NRSA63J-103X	MG RESISTOR	10kΩ 1/16W J	
C562	NCB31HK-103X	C CAPACITOR	0.01uF 50V K		R54	NRSA63J-103X	MG RESISTOR	10kΩ 1/16W J	
C563	QEDJ1AM-107Z	E CAPACITOR	100uF 10V M		R55	NRSA63J-222X	MG RESISTOR	2.2kΩ 1/16W J	
C564	NCB31EK-473X	C CAPACITOR	0.047uF 25V K		R56	NRSA63J-473X	MG RESISTOR	47kΩ 1/16W J	
C565	NCB31EK-473X	C CAPACITOR	0.047uF 25V K		R57	NRSA63J-473X	MG RESISTOR	47kΩ 1/16W J	
C566	NCB31EK-473X	C CAPACITOR	0.047uF 25V K		R58	NRSA63J-473X	MG RESISTOR	47kΩ 1/16W J	
C567	NCB31EK-473X	C CAPACITOR	0.047uF 25V K		R59	NRSA63J-273X	MG RESISTOR	27kΩ 1/16W J	
C568	NCB31EK-223X	C CAPACITOR	0.022uF 25V K		R71	NRSA63J-103X	MG RESISTOR	10kΩ 1/16W J	
C581	NCS31HJ-821X	C CAPACITOR	820pF 50V J		R72	NRSA63J-222X	MG RESISTOR	2.2kΩ 1/16W J	
C582	QEKJ1EM-475Z	E CAPACITOR	4.7uF 25V M		R73	NRSA63J-222X	MG RESISTOR	2.2kΩ 1/16W J	
C583	NDC31HJ-121X	C CAPACITOR	120pF 50V J		R74	NRSA63J-0R0X	MG RESISTOR	0Ω 1/16W J	
C584	NCS31HJ-821X	C CAPACITOR	820pF 50V J		R75	NRSA63J-472X	MG RESISTOR	4.7kΩ 1/16W J	
C585	QEKJ0JM-476Z	E CAPACITOR	47uF 6.3V M		R76	NRSA63J-472X	MG RESISTOR	4.7kΩ 1/16W J	
C591	NCS31HJ-821X	C CAPACITOR	820pF 50V J		R77	NRSA02J-101X	MG RESISTOR	100Ω 1/10W J	
C592	QEKJ1EM-475Z	E CAPACITOR	4.7uF 25V M		R78	NRSA63J-202X	MG RESISTOR	2kΩ 1/16W J	
C593	NDC31HJ-121X	C CAPACITOR	120pF 50V J						

△ Symbol No.	Part No.	Part Name	Description	Local	△ Symbol No.	Part No.	Part Name	Description	Local
R81	NRSA63J-103X	MG RESISTOR	10kΩ 1/16W J		R582	NRSA63J-333X	MG RESISTOR	33kΩ 1/16W J	
R82	NRSA63J-183X	MG RESISTOR	18kΩ 1/16W J		R583	NRSA63J-512X	MG RESISTOR	5.1kΩ 1/16W J	
R91	NRSA63J-103X	MG RESISTOR	10kΩ 1/16W J		R584	NRSA63J-151X	MG RESISTOR	150Ω 1/16W J	
R92	NRSA63J-183X	MG RESISTOR	18kΩ 1/16W J		R585	NRSA63J-0R0X	MG RESISTOR	0Ω 1/16W J	
R162	NRSA63J-223X	MG RESISTOR	22kΩ 1/16W J		R586	NRSA63J-223X	MG RESISTOR	22kΩ 1/16W J	
R163	NRSA63J-222X	MG RESISTOR	2.2kΩ 1/16W J		R587	NRSA63J-223X	MG RESISTOR	22kΩ 1/16W J	
R164	NRSA63J-271X	MG RESISTOR	270Ω 1/16W J		R591	NRSA63J-183X	MG RESISTOR	18kΩ 1/16W J	
R165	NRSA63J-473X	MG RESISTOR	47kΩ 1/16W J		R592	NRSA63J-333X	MG RESISTOR	33kΩ 1/16W J	
R166	NRSA63J-473X	MG RESISTOR	47kΩ 1/16W J		R593	NRSA63J-512X	MG RESISTOR	5.1kΩ 1/16W J	
R167	NRSA63J-273X	MG RESISTOR	27kΩ 1/16W J		R594	NRSA63J-151X	MG RESISTOR	150Ω 1/16W J	
R168	NRSA63J-273X	MG RESISTOR	27kΩ 1/16W J		R595	NRSA63J-0R0X	MG RESISTOR	0Ω 1/16W J	
R172	NRSA63J-223X	MG RESISTOR	22kΩ 1/16W J		R596	NRSA63J-223X	MG RESISTOR	22kΩ 1/16W J	
R173	NRSA63J-222X	MG RESISTOR	2.2kΩ 1/16W J		R597	NRSA63J-223X	MG RESISTOR	22kΩ 1/16W J	
R174	NRSA63J-271X	MG RESISTOR	270Ω 1/16W J		R705	NRSA63J-222X	MG RESISTOR	2.2kΩ 1/16W J	
R175	NRSA63J-473X	MG RESISTOR	47kΩ 1/16W J		R706	NRSA63J-222X	MG RESISTOR	2.2kΩ 1/16W J	
R176	NRSA63J-473X	MG RESISTOR	47kΩ 1/16W J		R708	NRSA63J-222X	MG RESISTOR	2.2kΩ 1/16W J	
R177	NRSA63J-273X	MG RESISTOR	27kΩ 1/16W J		R709	NRSA63J-473X	MG RESISTOR	47kΩ 1/16W J	
R178	NRSA63J-273X	MG RESISTOR	27kΩ 1/16W J		R710	NRSA63J-473X	MG RESISTOR	47kΩ 1/16W J	
R191	NRS181J-100X	MG RESISTOR	10Ω 1/8W J		R713	NRSA63J-103X	MG RESISTOR	10kΩ 1/16W J	
R301	NRSA63J-472X	MG RESISTOR	4.7kΩ 1/16W J		R714	NRSA63J-103X	MG RESISTOR	10kΩ 1/16W J	
R341	NRSA02J-821X	MG RESISTOR	820Ω 1/10W J		R715	NRSA63J-103X	MG RESISTOR	10kΩ 1/16W J	
R342	NRSA02J-101X	MG RESISTOR	100Ω 1/10W J		R717	NRSA63J-103X	MG RESISTOR	10kΩ 1/16W J	
R343	NRSA63J-222X	MG RESISTOR	2.2kΩ 1/16W J		R718	NRSA63J-103X	MG RESISTOR	10kΩ 1/16W J	
R351	NRSA02J-821X	MG RESISTOR	820Ω 1/10W J		R719	NRSA63J-472X	MG RESISTOR	4.7kΩ 1/16W J	
R352	NRSA02J-101X	MG RESISTOR	100Ω 1/10W J		R720	NRSA63J-472X	MG RESISTOR	4.7kΩ 1/16W J	
R353	NRSA63J-222X	MG RESISTOR	2.2kΩ 1/16W J		R721	NRSA63J-472X	MG RESISTOR	4.7kΩ 1/16W J	
R503	NRSA63J-823X	MG RESISTOR	82kΩ 1/16W J		R722	NRSA63J-473X	MG RESISTOR	47kΩ 1/16W J	
R504	NRSA63J-823X	MG RESISTOR	82kΩ 1/16W J		R723	NRSA63J-473X	MG RESISTOR	47kΩ 1/16W J	
R505	NRSA63J-334X	MG RESISTOR	330kΩ 1/16W J		R724	NRSA63J-0R0X	MG RESISTOR	0Ω 1/16W J	
R506	NRSA63J-334X	MG RESISTOR	330kΩ 1/16W J		R725	NRSA63J-473X	MG RESISTOR	47kΩ 1/16W J	
R507	NRSA02J-220X	MG RESISTOR	22Ω 1/10W J		R726	NRSA63J-473X	MG RESISTOR	47kΩ 1/16W J	
R508	NRSA02J-220X	MG RESISTOR	22Ω 1/10W J		R727	NRSA63J-103X	MG RESISTOR	10kΩ 1/16W J	
R509	NRSA63J-823X	MG RESISTOR	82kΩ 1/16W J		R728	NRSA63J-473X	MG RESISTOR	47kΩ 1/16W J	
R510	NRSA63J-563X	MG RESISTOR	56kΩ 1/16W J		R729	NRSA63J-473X	MG RESISTOR	47kΩ 1/16W J	
R511	NRSA63J-103X	MG RESISTOR	10kΩ 1/16W J		R730	NRSA63J-104X	MG RESISTOR	100kΩ 1/16W J	
R512	NRSA63J-202X	MG RESISTOR	2kΩ 1/16W J		R731	NRSA63J-473X	MG RESISTOR	47kΩ 1/16W J	
R513	NRSA63J-102X	MG RESISTOR	1kΩ 1/16W J		R734	NRSA63J-472X	MG RESISTOR	4.7kΩ 1/16W J	
R514	NRSA63J-153X	MG RESISTOR	15kΩ 1/16W J		R735	NRSA63J-102X	MG RESISTOR	1kΩ 1/16W J	
R515	NRSA63J-101X	MG RESISTOR	100Ω 1/16W J		R736	NRSA63J-122X	MG RESISTOR	1.2kΩ 1/16W J	
R516	NRSA63J-821X	MG RESISTOR	820Ω 1/16W J		R737	NRSA63J-473X	MG RESISTOR	47kΩ 1/16W J	
R517	NRSA63J-0R0X	MG RESISTOR	0Ω 1/16W J		R738	NRSA63J-0R0X	MG RESISTOR	0Ω 1/16W J	
R519	NRSA02J-151X	MG RESISTOR	150Ω 1/10W J		R739	NRSA63J-0R0X	MG RESISTOR	0Ω 1/16W J	
R521	NRSA63J-562X	MG RESISTOR	5.6kΩ 1/16W J		R740	NRSA63J-104X	MG RESISTOR	100kΩ 1/16W J	
R522	NRSA63J-473X	MG RESISTOR	47kΩ 1/16W J		R741	NRSA63J-103X	MG RESISTOR	10kΩ 1/16W J	
R523	NRSA63J-474X	MG RESISTOR	470kΩ 1/16W J		R742	NRSA63J-473X	MG RESISTOR	47kΩ 1/16W J	
R524	NRSA63J-153X	MG RESISTOR	15kΩ 1/16W J		R743	NRSA63J-473X	MG RESISTOR	47kΩ 1/16W J	
R525	NRSA63J-103X	MG RESISTOR	10kΩ 1/16W J		R744	NRSA63J-103X	MG RESISTOR	10kΩ 1/16W J	
R526	NRSA63J-0R0X	MG RESISTOR	0Ω 1/16W J		R750	NRSA63J-223X	MG RESISTOR	22kΩ 1/16W J	
R527	NRSA63J-101X	MG RESISTOR	100Ω 1/16W J		R751	NRSA63J-222X	MG RESISTOR	2.2kΩ 1/16W J	
R528	NRSA63J-101X	MG RESISTOR	100Ω 1/16W J		R752	NRSA63J-103X	MG RESISTOR	10kΩ 1/16W J	
R529	NRSA63J-0R0X	MG RESISTOR	0Ω 1/16W J		R753	NRSA63J-473X	MG RESISTOR	47kΩ 1/16W J	
R530	NRSA63J-0R0X	MG RESISTOR	0Ω 1/16W J		R754	NRSA63J-0R0X	MG RESISTOR	0Ω 1/16W J	
R531	NRSA63J-101X	MG RESISTOR	100Ω 1/16W J		R755	NRSA63J-0R0X	MG RESISTOR	0Ω 1/16W J	
R532	NRSA63J-101X	MG RESISTOR	100Ω 1/16W J		R761	NRSA63J-472X	MG RESISTOR	4.7kΩ 1/16W J	
R533	NRSA63J-105X	MG RESISTOR	1MΩ 1/16W J		R762	NRSA63J-332X	MG RESISTOR	3.3kΩ 1/16W J	
R534	NRSA63J-472X	MG RESISTOR	4.7kΩ 1/16W J		R763	NRSA63J-472X	MG RESISTOR	4.7kΩ 1/16W J	
R535	NRSA63J-472X	MG RESISTOR	4.7kΩ 1/16W J		R764	NRSA63J-473X	MG RESISTOR	47kΩ 1/16W J	
R536	NRSA63J-472X	MG RESISTOR	4.7kΩ 1/16W J		R765	NRSA63J-0R0X	MG RESISTOR	0Ω 1/16W J	
R537	NRSA63J-472X	MG RESISTOR	4.7kΩ 1/16W J		R782	NRSA63J-102X	MG RESISTOR	1kΩ 1/16W J	
R538	NRSA63J-103X	MG RESISTOR	10kΩ 1/16W J		R882	NRSA63J-473X	MG RESISTOR	47kΩ 1/16W J	
R539	NRSA63J-155X	MG RESISTOR	1.5MΩ 1/16W J		R891	NRSA63J-473X	MG RESISTOR	47kΩ 1/16W J	
R561	NRSA63J-333X	MG RESISTOR	33kΩ 1/16W J		R892	NRSA63J-102X	MG RESISTOR	1kΩ 1/16W J	
R562	NRSA63J-822X	MG RESISTOR	8.2kΩ 1/16W J		R901	QRE142J-102X	C RESISTOR	1kΩ 1/4W J	
R563	NRSA63J-472X	MG RESISTOR	4.7kΩ 1/16W J		R902	NRSA02J-912X	MG RESISTOR	9.1kΩ 1/10W J	
R564	NRSA63J-153X	MG RESISTOR	15kΩ 1/16W J		R903	NRSA02J-472X	MG RESISTOR	4.7kΩ 1/10W J	
R566	NRSA02J-822X	MG RESISTOR	8.2kΩ 1/10W J		R905	NRSA02J-822X	MG RESISTOR	8.2kΩ 1/10W J	
R567	NRSA63J-682X	MG RESISTOR	6.8kΩ 1/16W J		R906	NRSA63J-203X	MG RESISTOR	20kΩ 1/16W J	
R568	NRSA63J-302X	MG RESISTOR	3kΩ 1/16W J		R971	NRS181J-222X	MG RESISTOR	2.2kΩ 1/8W J	
R569	NRSA63J-472X	MG RESISTOR	4.7kΩ 1/16W J		R972	NRS181J-222X	MG RESISTOR	2.2kΩ 1/8W J	
R571	NRSA63J-152X	MG RESISTOR	1.5kΩ 1/16W J						
R572	NRSA63J-152X	MG RESISTOR	1.5kΩ 1/16W J		L1	QQL244J-4R7Z	COIL	4.7uH J	
R573	NRSA63J-152X	MG RESISTOR	1.5kΩ 1/16W J		L521	QQL244J-470Z	COIL	47uH J	
R574	NRS181J-220X	MG RESISTOR	22Ω 1/8W J		L522	QQL244J-470Z	COIL	47uH J	
R575	NRS181J-220X	MG RESISTOR	22Ω 1/8W J		L523	QQL244J-470Z	COIL	47uH J	
R576	NRSA02J-512X	MG RESISTOR	5.1kΩ 1/10W J		L524	QQL244J-470Z	COIL	47uH J	
R577	NRSA02J-822X	MG RESISTOR	8.2kΩ 1/10W J		L701	QQL244K-4R7Z	COIL	4.7uH K	
R581	NRSA63J-183X	MG RESISTOR	18kΩ 1/16W J		L702	QQL244K-4R7Z	COIL	4.7uH K	

Symbol No.	Part No.	Part Name	Description	Local
L703	QQL244K-4R7Z	COIL	4.7uH K	
L901	QQR0703-001	CHOKE COIL		
CN501	QGB2027M4-22S	CONNECTOR	B-B (1-22)	
CN701	QGZ1601J1-15	CONNECTOR	(1-15)	
CN702	QGA2006F1-02	CONNECTOR	W-B (1-2)	
CN901	QNZ0650-001	CAR CONNECTOR		
J1	QNB0100-002	CAR ANT JACK		
J301	QNN0519-001	PIN JACK		
PP1	QZW0010-001	STYLE PIN		
PP2	QZW0010-001	STYLE PIN		
TU1	QAU0313-001	TUNER		
X71	QAX0263-001Z	CRYSTAL	4.332MHz	
X521	QAX0413-001Z	CRYSTAL	16.9344MHz	
X701	QAX0406-001Z	CRYSTAL	4.500MHz	

Symbol No.	Part No.	Part Name	Description	Local
R632	NRS181J-152X	MG RESISTOR	1.5kΩ 1/8W J	
R633	NRSA63J-152X	MG RESISTOR	1.5kΩ 1/16W J	
R634	NRSA02J-271X	MG RESISTOR	270Ω 1/10W J	
R636	NRSA02J-391X	MG RESISTOR	390Ω 1/10W J	
R638	NRSA02J-331X	MG RESISTOR	330Ω 1/10W J	
R640	NRSA02J-391X	MG RESISTOR	390Ω 1/10W J	
R642	NRSA02J-181X	MG RESISTOR	180Ω 1/10W J	
R644	NRSA02J-271X	MG RESISTOR	270Ω 1/10W J	
R646	NRS181J-471X	MG RESISTOR	470Ω 1/8W J	
R648	NRS181J-471X	MG RESISTOR	470Ω 1/8W J	
R650	NRSA63J-221X	MG RESISTOR	220Ω 1/16W J	
R652	NRSA63J-331X	MG RESISTOR	330Ω 1/16W J	
R654	NRSA63J-104X	MG RESISTOR	100kΩ 1/16W J	
R670	NRSA02J-0R0X	MG RESISTOR	0Ω 1/10W J	
R673	NRSA63J-222X	MG RESISTOR	2.2kΩ 1/16W J	
R674	NRSA63J-222X	MG RESISTOR	2.2kΩ 1/16W J	
R675	NRSA63J-103X	MG RESISTOR	10kΩ 1/16W J	
R676	NRSA63J-184X	MG RESISTOR	180kΩ 1/16W J	
R677	NRSA63J-103X	MG RESISTOR	10kΩ 1/16W J	
R678	NRSA63J-103X	MG RESISTOR	10kΩ 1/16W J	
R679	NRSA63J-103X	MG RESISTOR	10kΩ 1/16W J	
R680	NRSA63J-513X	MG RESISTOR	51kΩ 1/16W J	

## Switch board (KD-S1501\_E.EX.EY.EU)

Block No. [0][2]

Symbol No.	Part No.	Part Name	Description	Local
IC601	PT6523LQ-L	LCD DRIVER		
D601	SML-310LT/MN/-X	LED		
D602	CL-165SR/PG-D-X	LED		
D603	CL-165SR/PG-D-X	LED		
D604	CL-165SR/PG-D-X	LED		
D605	CL-165SR/PG-D-X	LED		
D606	CL-165SR/PG-D-X	LED		
D607	CL-165SR/PG-D-X	LED		
D608	CL-165SR/PG-D-X	LED		
D609	CL-165SR/PG-D-X	LED		
D610	CL-165SR/PG-D-X	LED		
D611	CL-165SR/PG-D-X	LED		
D612	CL-165SR/PG-D-X	LED		
D613	CL-165SR/PG-D-X	LED		
D614	CL-165SR/PG-D-X	LED		
D615	CL-165SR/PG-D-X	LED		
D616	CL-165SR/PG-D-X	LED		
D617	CL-165SR/PG-D-X	LED		
D618	CL-165SR/PG-D-X	LED		
D631	NSPW310BS/BRS/	LED		
D632	NSPW310BS/BRS/	LED		
D641	MA8051/M/-X	Z DIODE		
D643	MA111-X	SI DIODE		
C601	NCB31HK-223X	C CAPACITOR	0.022uF 50V K	
C602	NCS31HJ-681X	C CAPACITOR	680pF 50V J	
C603	NBE20JM-106X	TA E CAPACITOR	10uF 6.3V M	
R601	NRSA63J-821X	MG RESISTOR	820Ω 1/16W J	
R602	NRSA63J-821X	MG RESISTOR	820Ω 1/16W J	
R603	NRSA63J-122X	MG RESISTOR	1.2kΩ 1/16W J	
R604	NRSA63J-182X	MG RESISTOR	1.8kΩ 1/16W J	
R605	NRSA63J-821X	MG RESISTOR	820Ω 1/16W J	
R606	NRSA63J-821X	MG RESISTOR	820Ω 1/16W J	
R607	NRSA63J-122X	MG RESISTOR	1.2kΩ 1/16W J	
R608	NRSA63J-182X	MG RESISTOR	1.8kΩ 1/16W J	
R609	NRSA63J-272X	MG RESISTOR	2.7kΩ 1/16W J	
R610	NRSA63J-392X	MG RESISTOR	3.9kΩ 1/16W J	
R611	NRSA63J-821X	MG RESISTOR	820Ω 1/16W J	
R612	NRSA63J-821X	MG RESISTOR	820Ω 1/16W J	
R613	NRSA63J-122X	MG RESISTOR	1.2kΩ 1/16W J	
R614	NRSA63J-182X	MG RESISTOR	1.8kΩ 1/16W J	
R615	NRSA63J-272X	MG RESISTOR	2.7kΩ 1/16W J	
R619	NRSA02J-391X	MG RESISTOR	390Ω 1/10W J	
R620	NRSA02J-391X	MG RESISTOR	390Ω 1/10W J	
R621	NRSA63J-821X	MG RESISTOR	820Ω 1/16W J	
R622	NRS181J-471X	MG RESISTOR	470Ω 1/8W J	
R624	NRS181J-471X	MG RESISTOR	470Ω 1/8W J	
R626	NRSA63J-391X	MG RESISTOR	390Ω 1/16W J	
R628	NRSA63J-471X	MG RESISTOR	470Ω 1/16W J	
R630	NRS181J-561X	MG RESISTOR	560Ω 1/8W J	

Symbol No.	Part No.	Part Name	Description	Local
CJ601	QGZ1601K1-15S	CONNECTOR	(1-15)	
S601	NSW0124-001X	TACT SW		
S602	NSW0124-001X	TACT SW		
S603	NSW0124-001X	TACT SW		
S604	NSW0124-001X	TACT SW		
S605	NSW0124-001X	TACT SW		
S606	NSW0124-001X	TACT SW		
S607	NSW0124-001X	TACT SW		
S608	NSW0124-001X	TACT SW		
S609	NSW0124-001X	TACT SW		
S610	NSW0124-001X	TACT SW		
S611	NSW0124-001X	TACT SW		
S612	NSW0124-001X	TACT SW		
S613	NSW0124-001X	TACT SW		
S614	NSW0124-001X	TACT SW		
S615	NSW0124-001X	TACT SW		
S616	NSW0124-001X	TACT SW		
S617	NSW0124-001X	TACT SW		
S618	NSW0124-001X	TACT SW		

# Main board (KD-G152/G151\_E.EX.EY.EU)

Block No. [0][3]

Symbol No.	Part No.	Part Name	Description	Local
IC71	LC72725M-X	IC		
IC161	TEA6320T-X	IC		
IC301	LA4743K	POWER IC		
IC501	TA2157FN-X	RF AMP IC		
IC521	TC94A14FA	CD LSI IC		
IC561	LA6242H-X	IC		
IC571	NJM4565M-WE	IC		
IC701	UPD178078GF-690	IC		
IC901	HA13164A	IC		
Q1	UN2211-X	TRANSISTOR		
Q2	2SD601A/QR/-X	TRANSISTOR		
Q3	UN2111-X	TRANSISTOR		
Q4	2SB709A/R/-X	TRANSISTOR		
Q5	2SB624/4/-X	TRANSISTOR		
Q6	UN2211-X	TRANSISTOR		
Q7	UN2211-X	TRANSISTOR		
Q31	2SD601A/QR/-X	TRANSISTOR		
Q32	2SD601A/QR/-X	TRANSISTOR		
Q41	2SC3661-X	TRANSISTOR		
Q42	2SC3661-X	TRANSISTOR		
Q51	2SD601A/QR/-X	TRANSISTOR		
Q52	2SD601A/QR/-X	TRANSISTOR		
Q53	UN2211-X	TRANSISTOR		
Q71	UN2111-X	TRANSISTOR		
Q73	2SD601A/QR/-X	TRANSISTOR		
Q74	2SD601A/QR/-X	TRANSISTOR		
Q341	KTD1304-X	TRANSISTOR		
Q351	KTD1304-X	TRANSISTOR		
Q501	2SB1241/QR/-T	TRANSISTOR		
Q521	UN2111-X	TRANSISTOR		
Q522	UN2211-X	TRANSISTOR		
Q561	2SB1322/RS/-T	TRANSISTOR		
Q781	UN2111-X	TRANSISTOR		
Q782	UN2211-X	TRANSISTOR		
Q783	UN2111-X	TRANSISTOR		
Q901	2SB709A/QR/-X	TRANSISTOR		
Q902	UN2211-X	TRANSISTOR		
D1	MA111-X	SI DIODE		
D2	MA111-X	SI DIODE		
D3	MA111-X	SI DIODE		
D4	MA111-X	SI DIODE		
D71	MA111-X	SI DIODE		
D321	MA111-X	SI DIODE		
D341	MA111-X	SI DIODE		
D561	1A3G-T1	SI DIODE		
D702	MA8062/M/-X	Z DIODE		
D703	MA8062/M/-X	Z DIODE		
D704	MA8062/M/-X	Z DIODE		
D705	MA8062/M/-X	Z DIODE		
D706	MA8062/M/-X	Z DIODE		
D707	MA8062/M/-X	Z DIODE		
D708	MA8062/M/-X	Z DIODE		
D781	MA111-X	SI DIODE		
D782	MA111-X	SI DIODE		
D783	MA8110/M/-X	Z DIODE		
D901	1N5401-F64	DIODE		
D902	MA111-X	SI DIODE		
D971	RB160M-30-X	SB DIODE		
D972	RB160M-30-X	SB DIODE		
C2	NCB31EK-473X	C CAPACITOR	0.047uF 25V K	
C3	QEKJ1HM-474Z	E CAPACITOR	0.47uF 50V M	
C4	QEKJ1AM-227Z	E CAPACITOR	220uF 10V M	
C5	NDC31HJ-101X	C CAPACITOR	100pF 50V J	
C6	QEKJ1AM-107Z	E CAPACITOR	100uF 10V M	
C8	NCB31HK-102X	C CAPACITOR	1000pF 50V K	
C9	QEKJ1AM-227Z	E CAPACITOR	220uF 10V M	
C10	QEKJ1HM-105Z	E CAPACITOR	1uF 50V M	
C31	QEKJ1HM-225Z	E CAPACITOR	2.2uF 50V M	
C32	NCS31HJ-102X	C CAPACITOR	1000pF 50V J	
C41	NCB21EK-124X	C CAPACITOR	0.12uF 25V K	

Symbol No.	Part No.	Part Name	Description	Local
C42	NCB31HK-333X	C CAPACITOR	0.033uF 50V K	
C43	QEKJ1CM-107Z	E CAPACITOR	100uF 16V M	
C51	QEKJ1HM-474Z	E CAPACITOR	0.47uF 50V M	
C52	NCB31EK-472X	C CAPACITOR	4700pF 25V K	
C53	NCB31EK-104X	C CAPACITOR	0.1uF 25V K	
C54	NCB31EK-103X	C CAPACITOR	0.01uF 25V K	
C55	NDC31HJ-331X	C CAPACITOR	330pF 50V J	
C71	NDC31HJ-820X	C CAPACITOR	82pF 50V J	
C72	NDC31HJ-470X	C CAPACITOR	47pF 50V J	
C73	NCB31HK-103X	C CAPACITOR	0.01uF 50V K	
C74	QEKJ0JM-476Z	E CAPACITOR	47uF 6.3V M	
C75	NDC31HJ-561X	C CAPACITOR	560pF 50V J	
C76	NDC31HJ-331X	C CAPACITOR	330pF 50V J	
C77	QEKJ1CM-106Z	E CAPACITOR	10uF 16V M	
C78	NCB31EK-104X	C CAPACITOR	0.1uF 25V K	
C79	NCB31EK-103X	C CAPACITOR	0.01uF 25V K	
C81	NCB31HK-102X	C CAPACITOR	1000pF 50V K	
C82	NCB31EK-123X	C CAPACITOR	0.012uF 25V K	
C83	NCB31HK-222X	C CAPACITOR	2200pF 50V K	
C84	QEKJ1HM-105Z	E CAPACITOR	1uF 50V M	
C91	NCB31HK-102X	C CAPACITOR	1000pF 50V K	
C92	NCB31EK-123X	C CAPACITOR	0.012uF 25V K	
C93	NCB31HK-222X	C CAPACITOR	2200pF 50V K	
C94	QEKJ1HM-105Z	E CAPACITOR	1uF 50V M	
C162	NCB31HK-822X	C CAPACITOR	8200pF 50V K	
C163	NCB31CK-224X	C CAPACITOR	0.22uF 16V K	
C164	NCB31CK-224X	C CAPACITOR	0.22uF 16V K	
C165	NCB31CK-333X	C CAPACITOR	0.033uF 16V K	
C166	NCB31HK-562X	C CAPACITOR	5600pF 50V K	
C167	QEKJ1HM-475Z	E CAPACITOR	4.7uF 50V M	
C168	QEKJ1HM-475Z	E CAPACITOR	4.7uF 50V M	
C172	NCB31HK-822X	C CAPACITOR	8200pF 50V K	
C173	NCB31CK-224X	C CAPACITOR	0.22uF 16V K	
C174	NCB31CK-224X	C CAPACITOR	0.22uF 16V K	
C175	NCB31CK-333X	C CAPACITOR	0.033uF 16V K	
C176	NCB31HK-562X	C CAPACITOR	5600pF 50V K	
C177	QEKJ1HM-475Z	E CAPACITOR	4.7uF 50V M	
C178	QEKJ1HM-475Z	E CAPACITOR	4.7uF 50V M	
C182	QTE1H54-225Z	E CAPACITOR	2.2uF 50V	
C183	QTE1H54-225Z	E CAPACITOR	2.2uF 50V	
C185	QEKJ1HM-105Z	E CAPACITOR	1uF 50V M	
C186	QEKJ1HM-105Z	E CAPACITOR	1uF 50V M	
C191	QEKJ1CM-476Z	E CAPACITOR	47uF 16V M	
C192	QEKJ1AM-107Z	E CAPACITOR	100uF 10V M	
C193	QEKJ1CM-107Z	E CAPACITOR	100uF 16V M	
C194	NCB31CK-103X	C CAPACITOR	0.01uF 16V K	
C195	NCB31CK-224X	C CAPACITOR	0.22uF 16V K	
C196	NCB31EK-104X	C CAPACITOR	0.1uF 25V K	
C301	QEKJ1EM-475Z	E CAPACITOR	4.7uF 25V M	
C302	NCB31HK-223X	C CAPACITOR	0.022uF 50V K	
C303	QERF1CM-476Z	E CAPACITOR	47uF 16V M	
C304	QEKJ1CM-107Z	E CAPACITOR	100uF 16V M	
C305	QERF1CM-226Z	E CAPACITOR	22uF 16V M	
C306	NCB31HK-223X	C CAPACITOR	0.022uF 50V K	
C308	NCB31EK-104X	C CAPACITOR	0.1uF 25V K	
C309	NCB31EK-104X	C CAPACITOR	0.1uF 25V K	
C310	NCB31EK-104X	C CAPACITOR	0.1uF 25V K	
C311	NCB31EK-104X	C CAPACITOR	0.1uF 25V K	
C312	NDC31HJ-101X	C CAPACITOR	100pF 50V J	
C313	NDC31HJ-101X	C CAPACITOR	100pF 50V J	
C314	NDC31HJ-101X	C CAPACITOR	100pF 50V J	
C315	NDC31HJ-101X	C CAPACITOR	100pF 50V J	
C316	NDC31HJ-101X	C CAPACITOR	100pF 50V J	
C317	NDC31HJ-101X	C CAPACITOR	100pF 50V J	
C318	NDC31HJ-101X	C CAPACITOR	100pF 50V J	
C319	NDC31HJ-101X	C CAPACITOR	100pF 50V J	
C321	NDC31HJ-101X	C CAPACITOR	100pF 50V J	
C322	QFV91HJ-474Z	MF CAPACITOR	0.47uF 50V J	
C331	NDC31HJ-101X	C CAPACITOR	100pF 50V J	
C332	QFV91HJ-474Z	MF CAPACITOR	0.47uF 50V J	
C333	NCB31EK-473X	C CAPACITOR	0.047uF 25V K	
C341	NDC31HJ-101X	C CAPACITOR	100pF 50V J	
C342	QFV91HJ-474Z	MF CAPACITOR	0.47uF 50V J	
C351	NDC31HJ-101X	C CAPACITOR	100pF 50V J	
C352	QFV91HJ-474Z	MF CAPACITOR	0.47uF 50V J	
C501	NCB31HK-103X	C CAPACITOR	0.01uF 50V K	
C502	NCB31HK-103X	C CAPACITOR	0.01uF 50V K	

△ Symbol No.	Part No.	Part Name	Description	Local	△ Symbol No.	Part No.	Part Name	Description	Local
C503	QEKJ0JM-107Z	E CAPACITOR	100uF 6.3V M		C714	NCB31AK-334X	C CAPACITOR	0.33uF 10V K	
C504	NCB31HK-103X	C CAPACITOR	0.01uF 50V K		C717	NCB31EK-104X	C CAPACITOR	0.1uF 25V K	
C505	QEKJ0JM-107Z	E CAPACITOR	100uF 6.3V M		C718	NCB31EK-104X	C CAPACITOR	0.1uF 25V K	
C507	NCB31HK-682X	C CAPACITOR	6800pF 50V K		C781	QERF1AM-227Z	E CAPACITOR	220uF 10V M	
C508	NCB31HK-103X	C CAPACITOR	0.01uF 50V K		C782	QERF1CM-226Z	E CAPACITOR	22uF 16V M	
C509	QEKJ0JM-107Z	E CAPACITOR	100uF 6.3V M		C783	NCB31CK-224X	C CAPACITOR	0.22uF 16V K	
C510	NCB31EK-104X	C CAPACITOR	0.1uF 25V K		C784	QEKJ1EM-475Z	E CAPACITOR	4.7uF 25V M	
C511	NCB31EK-104X	C CAPACITOR	0.1uF 25V K		C901	QEZ0646-228	E CAPACITOR	2200uF	
C512	NDC31HJ-820X	C CAPACITOR	82pF 50V J		C902	QEKJ1HM-225Z	E CAPACITOR	2.2uF 50V M	
C513	NCB31HK-103X	C CAPACITOR	0.01uF 50V K		C903	QEKJ1CM-476Z	E CAPACITOR	47uF 16V M	
C514	NDC31HJ-5R0X	C CAPACITOR	5pF 50V J		C904	QEKJ1CM-106Z	E CAPACITOR	10uF 16V M	
C521	NCB31HK-103X	C CAPACITOR	0.01uF 50V K		C905	QEKJ1CM-476Z	E CAPACITOR	47uF 16V M	
C522	QEKJ0JM-107Z	E CAPACITOR	100uF 6.3V M		C906	NCB31EK-103X	C CAPACITOR	0.01uF 25V K	
C523	NDC31HJ-470X	C CAPACITOR	47pF 50V J		C907	QEKJ1AM-227Z	E CAPACITOR	220uF 10V M	
C524	NCB31HK-153X	C CAPACITOR	0.015uF 50V K		C908	QEKJ1AM-227Z	E CAPACITOR	220uF 10V M	
C525	NCB31HK-103X	C CAPACITOR	0.01uF 50V K		C909	QEKJ1AM-227Z	E CAPACITOR	220uF 10V M	
C526	NCB31HK-272X	C CAPACITOR	2700pF 50V K		C910	QEKJ1CM-106Z	E CAPACITOR	10uF 16V M	
C527	NCB31HK-103X	C CAPACITOR	0.01uF 50V K		C911	NCB31EK-104X	C CAPACITOR	0.1uF 25V K	
C528	NCB31EK-333X	C CAPACITOR	0.033uF 25V K		C912	NCB31HK-103X	C CAPACITOR	0.01uF 50V K	
C529	QEKJ0JM-107Z	E CAPACITOR	100uF 6.3V M		C913	QEKJ1CM-106Z	E CAPACITOR	10uF 16V M	
C530	NCB31EK-333X	C CAPACITOR	0.033uF 25V K		C914	QEKJ1CM-107Z	E CAPACITOR	100uF 16V M	
C531	NCB31EK-473X	C CAPACITOR	0.047uF 25V K		C915	NCB31EK-104X	C CAPACITOR	0.1uF 25V K	
C533	NDC31HJ-471X	C CAPACITOR	470pF 50V J		C918	NDC31HJ-101X	C CAPACITOR	100pF 50V J	
C534	NDC31HJ-471X	C CAPACITOR	470pF 50V J		C971	NCB31EK-104X	C CAPACITOR	0.1uF 25V K	
C535	NCB31EK-473X	C CAPACITOR	0.047uF 25V K		R1	NRSA63J-101X	MG RESISTOR	100Ω 1/16W J	
C536	NCB31EK-473X	C CAPACITOR	0.047uF 25V K		R2	NRSA63J-103X	MG RESISTOR	10kΩ 1/16W J	
C537	NCB31EK-473X	C CAPACITOR	0.047uF 25V K		R4	NRSA63J-472X	MG RESISTOR	4.7kΩ 1/16W J	
C538	NCB31EK-473X	C CAPACITOR	0.047uF 25V K		R5	NRSA63J-473X	MG RESISTOR	47kΩ 1/16W J	
C539	QEKJ0JM-107Z	E CAPACITOR	100uF 6.3V M		R6	NRSA63J-473X	MG RESISTOR	47kΩ 1/16W J	
C540	NCB31HK-103X	C CAPACITOR	0.01uF 50V K		R7	NRSA63J-472X	MG RESISTOR	4.7kΩ 1/16W J	
C541	NCB31HK-103X	C CAPACITOR	0.01uF 50V K		R8	NRSA63J-473X	MG RESISTOR	4.7kΩ 1/16W J	
C544	NCB31HK-103X	C CAPACITOR	0.01uF 50V K		R9	NRSA63J-332X	MG RESISTOR	3.3kΩ 1/16W J	
C545	QEKJ0JM-107Z	E CAPACITOR	100uF 6.3V M		R10	NRS181J-100X	MG RESISTOR	10Ω 1/8W J	
C546	NDC31HJ-101X	C CAPACITOR	100pF 50V J		R11	NRSA63J-103X	MG RESISTOR	10kΩ 1/16W J	
C547	NCB31EK-104X	C CAPACITOR	0.1uF 25V K		R31	NRSA63J-102X	MG RESISTOR	1kΩ 1/16W J	
C548	QEKJ0JM-107Z	E CAPACITOR	100uF 6.3V M		R32	NRSA63J-103X	MG RESISTOR	10kΩ 1/16W J	
C549	NCB31HK-103X	C CAPACITOR	0.01uF 50V K		R33	NRSA63J-152X	MG RESISTOR	1.5kΩ 1/16W J	
C550	QEKJ1HM-105Z	E CAPACITOR	1uF 50V M		R35	NRSA63J-102X	MG RESISTOR	1kΩ 1/16W J	
C551	QEKJ1AM-107Z	E CAPACITOR	100uF 10V M		R41	NRSA63J-332X	MG RESISTOR	3.3kΩ 1/16W J	
C552	NCB31HK-103X	C CAPACITOR	0.01uF 50V K		R42	NRSA63J-102X	MG RESISTOR	1kΩ 1/16W J	
C553	NDC31HJ-100X	C CAPACITOR	10pF 50V J		R43	NRSA63J-102X	MG RESISTOR	1kΩ 1/16W J	
C554	NDC31HJ-100X	C CAPACITOR	10pF 50V J		R44	NRSA02J-330X	MG RESISTOR	33Ω 1/10W J	
C555	QEKJ0JM-107Z	E CAPACITOR	100uF 6.3V M		R45	NRSA63J-102X	MG RESISTOR	1kΩ 1/16W J	
C556	NCB31EK-104X	C CAPACITOR	0.1uF 25V K		R51	NRSA63J-471X	MG RESISTOR	470Ω 1/16W J	
C559	NCB31HK-182X	C CAPACITOR	1800pF 50V K		R52	NRSA63J-153X	MG RESISTOR	15kΩ 1/16W J	
C560	NCB31EK-473X	C CAPACITOR	0.047uF 25V K		R53	NRSA63J-103X	MG RESISTOR	10kΩ 1/16W J	
C561	QEKJ0JM-476Z	E CAPACITOR	47uF 6.3V M		R54	NRSA63J-103X	MG RESISTOR	10kΩ 1/16W J	
C562	NCB31HK-103X	C CAPACITOR	0.01uF 50V K		R55	NRSA63J-222X	MG RESISTOR	2.2kΩ 1/16W J	
C563	QEDJ1AM-107Z	E CAPACITOR	100uF 10V M		R56	NRSA63J-473X	MG RESISTOR	47kΩ 1/16W J	
C564	NCB31EK-473X	C CAPACITOR	0.047uF 25V K		R57	NRSA63J-473X	MG RESISTOR	47kΩ 1/16W J	
C565	NCB31EK-473X	C CAPACITOR	0.047uF 25V K		R58	NRSA63J-473X	MG RESISTOR	47kΩ 1/16W J	
C566	NCB31EK-473X	C CAPACITOR	0.047uF 25V K		R59	NRSA63J-273X	MG RESISTOR	27kΩ 1/16W J	
C567	NCB31EK-473X	C CAPACITOR	0.047uF 25V K		R71	NRSA63J-103X	MG RESISTOR	10kΩ 1/16W J	
C568	NCB31EK-223X	C CAPACITOR	0.022uF 25V K		R72	NRSA63J-222X	MG RESISTOR	2.2kΩ 1/16W J	
C581	NCS31HJ-821X	C CAPACITOR	820pF 50V J		R73	NRSA63J-222X	MG RESISTOR	2.2kΩ 1/16W J	
C582	QEKJ1EM-475Z	E CAPACITOR	4.7uF 25V M		R74	NRSA63J-0R0X	MG RESISTOR	0Ω 1/16W J	
C583	NDC31HJ-121X	C CAPACITOR	120pF 50V J		R75	NRSA63J-472X	MG RESISTOR	4.7kΩ 1/16W J	
C584	NCS31HJ-821X	C CAPACITOR	820pF 50V J		R76	NRSA63J-472X	MG RESISTOR	4.7kΩ 1/16W J	
C585	QEKJ0JM-476Z	E CAPACITOR	47uF 6.3V M		R77	NRSA02J-101X	MG RESISTOR	100Ω 1/10W J	
C591	NCS31HJ-821X	C CAPACITOR	820pF 50V J		R78	NRSA63J-202X	MG RESISTOR	2kΩ 1/16W J	
C592	QEKJ1EM-475Z	E CAPACITOR	4.7uF 25V M		R81	NRSA63J-103X	MG RESISTOR	10kΩ 1/16W J	
C593	NDC31HJ-121X	C CAPACITOR	120pF 50V J		R82	NRSA63J-183X	MG RESISTOR	18kΩ 1/16W J	
C594	NCS31HJ-821X	C CAPACITOR	820pF 50V J		R91	NRSA63J-103X	MG RESISTOR	10kΩ 1/16W J	
C595	QEKJ0JM-476Z	E CAPACITOR	47uF 6.3V M		R92	NRSA63J-183X	MG RESISTOR	18kΩ 1/16W J	
C596	QEKJ1CM-107Z	E CAPACITOR	100uF 16V M		R162	NRSA63J-223X	MG RESISTOR	22kΩ 1/16W J	
C597	NCS31HJ-102X	C CAPACITOR	1000pF 50V J		R163	NRSA63J-222X	MG RESISTOR	2.2kΩ 1/16W J	
C703	NCB31HK-103X	C CAPACITOR	0.01uF 50V K		R164	NRSA63J-271X	MG RESISTOR	270Ω 1/16W J	
C704	NBE40JM-476X	TA E CAPACITOR	47uF 6.3V M		R165	NRSA63J-473X	MG RESISTOR	47kΩ 1/16W J	
C705	NCB31EK-104X	C CAPACITOR	0.1uF 25V K		R166	NRSA63J-473X	MG RESISTOR	47kΩ 1/16W J	
C706	NCB31EK-104X	C CAPACITOR	0.1uF 25V K		R167	NRSA63J-273X	MG RESISTOR	27kΩ 1/16W J	
C707	NDC31HJ-270X	C CAPACITOR	27pF 50V J		R168	NRSA63J-273X	MG RESISTOR	27kΩ 1/16W J	
C708	NDC31HJ-220X	C CAPACITOR	22pF 50V J		R172	NRSA63J-223X	MG RESISTOR	22kΩ 1/16W J	
C709	QEKJ1AM-107Z	E CAPACITOR	100uF 10V M		R173	NRSA63J-222X	MG RESISTOR	2.2kΩ 1/16W J	
C710	NCB31EK-103X	C CAPACITOR	0.01uF 25V K		R174	NRSA63J-271X	MG RESISTOR	270Ω 1/16W J	
C711	NCB31EK-104X	C CAPACITOR	0.1uF 25V K		R175	NRSA63J-473X	MG RESISTOR	47kΩ 1/16W J	
C712	NCB31EK-104X	C CAPACITOR	0.1uF 25V K		R176	NRSA63J-473X	MG RESISTOR	47kΩ 1/16W J	
C713	NCB31HK-103X	C CAPACITOR	0.01uF 50V K						

Symbol No.	Part No.	Part Name	Description	Local	Symbol No.	Part No.	Part Name	Description	Local
R177	NRSA63J-273X	MG RESISTOR	27kΩ 1/16W J		R709	NRSA63J-473X	MG RESISTOR	47kΩ 1/16W J	
R178	NRSA63J-273X	MG RESISTOR	27kΩ 1/16W J		R710	NRSA63J-473X	MG RESISTOR	47kΩ 1/16W J	
R191	NRS181J-100X	MG RESISTOR	10Ω 1/8W J		R713	NRSA63J-103X	MG RESISTOR	10kΩ 1/16W J	
R301	NRSA63J-472X	MG RESISTOR	4.7kΩ 1/16W J		R714	NRSA63J-103X	MG RESISTOR	10kΩ 1/16W J	
R341	NRSA02J-821X	MG RESISTOR	820Ω 1/10W J		R715	NRSA63J-103X	MG RESISTOR	10kΩ 1/16W J	
R342	NRSA02J-101X	MG RESISTOR	100Ω 1/10W J		R717	NRSA63J-103X	MG RESISTOR	10kΩ 1/16W J	
R343	NRSA63J-222X	MG RESISTOR	2.2kΩ 1/16W J		R718	NRSA63J-103X	MG RESISTOR	10kΩ 1/16W J	
R351	NRSA02J-821X	MG RESISTOR	820Ω 1/10W J		R719	NRSA63J-472X	MG RESISTOR	4.7kΩ 1/16W J	
R352	NRSA02J-101X	MG RESISTOR	100Ω 1/10W J		R720	NRSA63J-472X	MG RESISTOR	4.7kΩ 1/16W J	
R353	NRSA63J-222X	MG RESISTOR	2.2kΩ 1/16W J		R721	NRSA63J-472X	MG RESISTOR	4.7kΩ 1/16W J	
R503	NRSA63J-823X	MG RESISTOR	82kΩ 1/16W J		R722	NRSA63J-473X	MG RESISTOR	47kΩ 1/16W J	
R504	NRSA63J-823X	MG RESISTOR	82kΩ 1/16W J		R723	NRSA63J-473X	MG RESISTOR	47kΩ 1/16W J	
R505	NRSA63J-334X	MG RESISTOR	330kΩ 1/16W J		R724	NRSA63J-0R0X	MG RESISTOR	0Ω 1/16W J	
R506	NRSA63J-334X	MG RESISTOR	330kΩ 1/16W J		R725	NRSA63J-473X	MG RESISTOR	47kΩ 1/16W J	
R507	NRSA02J-220X	MG RESISTOR	22Ω 1/10W J		R726	NRSA63J-473X	MG RESISTOR	47kΩ 1/16W J	
R508	NRSA02J-220X	MG RESISTOR	22Ω 1/10W J		R727	NRSA63J-103X	MG RESISTOR	10kΩ 1/16W J	
R509	NRSA63J-823X	MG RESISTOR	82kΩ 1/16W J		R728	NRSA63J-473X	MG RESISTOR	47kΩ 1/16W J	
R510	NRSA63J-563X	MG RESISTOR	56kΩ 1/16W J		R729	NRSA63J-473X	MG RESISTOR	47kΩ 1/16W J	
R511	NRSA63J-103X	MG RESISTOR	10kΩ 1/16W J		R730	NRSA63J-104X	MG RESISTOR	100kΩ 1/16W J	
R512	NRSA63J-202X	MG RESISTOR	2kΩ 1/16W J		R731	NRSA63J-473X	MG RESISTOR	47kΩ 1/16W J	
R513	NRSA63J-102X	MG RESISTOR	1kΩ 1/16W J		R732	NRSA63J-473X	MG RESISTOR	47kΩ 1/16W J	
R514	NRSA63J-153X	MG RESISTOR	15kΩ 1/16W J		R734	NRSA63J-472X	MG RESISTOR	4.7kΩ 1/16W J	
R515	NRSA63J-101X	MG RESISTOR	100Ω 1/16W J		R735	NRSA63J-102X	MG RESISTOR	1kΩ 1/16W J	
R516	NRSA63J-821X	MG RESISTOR	820Ω 1/16W J		R736	NRSA63J-122X	MG RESISTOR	1.2kΩ 1/16W J	
R517	NRSA63J-0R0X	MG RESISTOR	0Ω 1/16W J		R738	NRSA63J-0R0X	MG RESISTOR	0Ω 1/16W J	
R519	NRSA02J-151X	MG RESISTOR	150Ω 1/10W J		R739	NRSA63J-0R0X	MG RESISTOR	0Ω 1/16W J	
R521	NRSA63J-562X	MG RESISTOR	5.6kΩ 1/16W J		R740	NRSA63J-104X	MG RESISTOR	100kΩ 1/16W J	
R522	NRSA63J-473X	MG RESISTOR	47kΩ 1/16W J		R741	NRSA63J-103X	MG RESISTOR	10kΩ 1/16W J	
R523	NRSA63J-474X	MG RESISTOR	470kΩ 1/16W J		R742	NRSA63J-473X	MG RESISTOR	47kΩ 1/16W J	
R524	NRSA63J-153X	MG RESISTOR	15kΩ 1/16W J		R743	NRSA63J-473X	MG RESISTOR	47kΩ 1/16W J	
R525	NRSA63J-103X	MG RESISTOR	10kΩ 1/16W J		R744	NRSA63J-103X	MG RESISTOR	10kΩ 1/16W J	
R526	NRSA63J-0R0X	MG RESISTOR	0Ω 1/16W J		R752	NRSA63J-103X	MG RESISTOR	10kΩ 1/16W J	
R527	NRSA63J-101X	MG RESISTOR	100Ω 1/16W J		R753	NRSA63J-473X	MG RESISTOR	47kΩ 1/16W J	
R528	NRSA63J-101X	MG RESISTOR	100Ω 1/16W J		R754	NRSA63J-0R0X	MG RESISTOR	0Ω 1/16W J	
R529	NRSA63J-0R0X	MG RESISTOR	0Ω 1/16W J		R755	NRSA63J-0R0X	MG RESISTOR	0Ω 1/16W J	
R530	NRSA63J-0R0X	MG RESISTOR	0Ω 1/16W J		R782	NRSA63J-102X	MG RESISTOR	1kΩ 1/16W J	
R531	NRSA63J-101X	MG RESISTOR	100Ω 1/16W J		R882	NRSA63J-473X	MG RESISTOR	47kΩ 1/16W J	
R532	NRSA63J-101X	MG RESISTOR	100Ω 1/16W J		R901	QRE142J-102X	C RESISTOR	1kΩ 1/4W J	
R533	NRSA63J-105X	MG RESISTOR	1MΩ 1/16W J		R902	NRSA02J-912X	MG RESISTOR	9.1kΩ 1/10W J	
R534	NRSA63J-472X	MG RESISTOR	4.7kΩ 1/16W J		R903	NRSA02J-472X	MG RESISTOR	4.7kΩ 1/10W J	
R535	NRSA63J-472X	MG RESISTOR	4.7kΩ 1/16W J		R905	NRSA02J-822X	MG RESISTOR	8.2kΩ 1/10W J	
R536	NRSA63J-472X	MG RESISTOR	4.7kΩ 1/16W J		R906	NRSA63J-203X	MG RESISTOR	20kΩ 1/16W J	
R537	NRSA63J-472X	MG RESISTOR	4.7kΩ 1/16W J		R971	NRS181J-222X	MG RESISTOR	2.2kΩ 1/8W J	
R538	NRSA63J-103X	MG RESISTOR	10kΩ 1/16W J		R972	NRS181J-222X	MG RESISTOR	2.2kΩ 1/8W J	
R539	NRSA63J-155X	MG RESISTOR	1.5MΩ 1/16W J						
R561	NRSA63J-333X	MG RESISTOR	33kΩ 1/16W J		L1	QQL244J-4R7Z	COIL	4.7uH J	
R562	NRSA63J-822X	MG RESISTOR	8.2kΩ 1/16W J		L521	QQL244J-470Z	COIL	47uH J	
R563	NRSA63J-472X	MG RESISTOR	4.7kΩ 1/16W J		L522	QQL244J-470Z	COIL	47uH J	
R564	NRSA63J-153X	MG RESISTOR	15kΩ 1/16W J		L523	QQL244J-470Z	COIL	47uH J	
R566	NRSA02J-822X	MG RESISTOR	8.2kΩ 1/10W J		L524	QQL244J-470Z	COIL	47uH J	
R567	NRSA63J-682X	MG RESISTOR	6.8kΩ 1/16W J		L701	QQL244K-4R7Z	COIL	4.7uH K	
R568	NRSA63J-302X	MG RESISTOR	3kΩ 1/16W J		L702	QQL244K-4R7Z	COIL	4.7uH K	
R569	NRSA63J-472X	MG RESISTOR	4.7kΩ 1/16W J		L703	QQL244K-4R7Z	COIL	4.7uH K	
R571	NRSA63J-152X	MG RESISTOR	1.5kΩ 1/16W J		L901	QQR0703-001	CHOKE COIL		
R572	NRSA63J-152X	MG RESISTOR	1.5kΩ 1/16W J						
R573	NRSA63J-152X	MG RESISTOR	1.5kΩ 1/16W J		CN501	QGB2027M4-22S	CONNECTOR	B-B (1-22)	
R574	NRS181J-220X	MG RESISTOR	22Ω 1/8W J		CN701	QGZ1601J1-15	CONNECTOR	(1-15)	
R575	NRS181J-220X	MG RESISTOR	22Ω 1/8W J		CN901	QNZ0650-001	CAR CONNECTOR		
R576	NRSA02J-512X	MG RESISTOR	5.1kΩ 1/10W J		J1	QNB0100-002	CAR ANT JACK		
R577	NRSA02J-822X	MG RESISTOR	8.2kΩ 1/10W J		J301	QNN0519-001	PIN JACK		
R581	NRSA63J-183X	MG RESISTOR	18kΩ 1/16W J		TU1	QAU0313-001	TUNER		
R582	NRSA63J-333X	MG RESISTOR	33kΩ 1/16W J		X71	QAX0263-001Z	CRYSTAL	4.332MHz	
R583	NRSA63J-512X	MG RESISTOR	5.1kΩ 1/16W J		X521	QAX0413-001Z	CRYSTAL	16.9344MHz	
R584	NRSA63J-151X	MG RESISTOR	150Ω 1/16W J		X701	QAX0406-001Z	CRYSTAL	4.500MHz	
R585	NRSA63J-0R0X	MG RESISTOR	0Ω 1/16W J						
R586	NRSA63J-223X	MG RESISTOR	22kΩ 1/16W J						
R587	NRSA63J-223X	MG RESISTOR	22kΩ 1/16W J						
R591	NRSA63J-183X	MG RESISTOR	18kΩ 1/16W J						
R592	NRSA63J-333X	MG RESISTOR	33kΩ 1/16W J						
R593	NRSA63J-512X	MG RESISTOR	5.1kΩ 1/16W J						
R594	NRSA63J-151X	MG RESISTOR	150Ω 1/16W J						
R595	NRSA63J-0R0X	MG RESISTOR	0Ω 1/16W J						
R596	NRSA63J-223X	MG RESISTOR	22kΩ 1/16W J						
R597	NRSA63J-223X	MG RESISTOR	22kΩ 1/16W J						
R705	NRSA63J-222X	MG RESISTOR	2.2kΩ 1/16W J						
R706	NRSA63J-222X	MG RESISTOR	2.2kΩ 1/16W J						
R708	NRSA63J-222X	MG RESISTOR	2.2kΩ 1/16W J						

# Switch board

(KD-G152/G151\_E.EX.EY.EU)

Block No. [0][4]

Symbol No.	Part No.	Part Name	Description	Local	Symbol No.	Part No.	Part Name	Description	Local
					R629	NRSA63J-821X	MG RESISTOR	820Ω 1/16W J	G152 E,G15 2EU, G152 EX,G1 52EY G151 E,G15 1EU, G151 EX,G1 51EY G152 E,G15 2EU, G152 EX,G1 52EY G151 E,G15 1EU, G151 EX,G1 51EY
IC601	PT6523LQ-L	LCD DRIVER							
D601	SML-310VT/JK/-X	LED			R630	NRSA63J-132X	MG RESISTOR	1.3kΩ 1/16W J	
D602	SML-310VT/JK/-X	LED							
D603	SML-310VT/JK/-X	LED			R630	NRSA63J-122X	MG RESISTOR	1.2kΩ 1/16W J	
D604	SML-310VT/JK/-X	LED		G151 E,G15 1EU, G151 EX,G1 51EY G152 E,G15 2EU, G152 EX,G1 52EY	R631	NRSA63J-132X	MG RESISTOR	1.3kΩ 1/16W J	
D604	SML-310LT/MN/-X	LED		G151 E,G15 2EU, G152 EX,G1 52EY	R632	NRSA63J-331X	MG RESISTOR	330Ω 1/16W J	
D605	SML-310VT/JK/-X	LED			R634	NRSA63J-821X	MG RESISTOR	820Ω 1/16W J	
D606	SML-310VT/JK/-X	LED			R636	NRSA63J-331X	MG RESISTOR	330Ω 1/16W J	
D607	SML-310VT/JK/-X	LED			R638	NRSA63J-511X	MG RESISTOR	510Ω 1/16W J	
D608	SML-310LT/MN/-X	LED			R640	NRSA63J-331X	MG RESISTOR	330Ω 1/16W J	
D609	SML-310LT/MN/-X	LED							
D610	SML-310VT/JK/-X	LED							
D611	SML-310VT/JK/-X	LED			R642	NRSA63J-132X	MG RESISTOR	1.3kΩ 1/16W J	G151 E,G15 1EU, G151 EX,G1 51EY G152 E,G15 2EU, G152 EX,G1 52EY G151 E,G15 1EU, G151 EX,G1 51EY
D612	SML-310VT/JK/-X	LED							
D613	SML-310VT/JK/-X	LED							
D614	SML-310VT/JK/-X	LED							
D615	SML-310VT/JK/-X	LED							
D616	SML-310VT/JK/-X	LED			R642	NRSA63J-122X	MG RESISTOR	1.2kΩ 1/16W J	
D617	SML-310VT/JK/-X	LED		G151 E,G15 1EU, G151 EX,G1 51EY G152 E,G15 2EU, G152 EX,G1 52EY	R643	NRSA63J-132X	MG RESISTOR	1.3kΩ 1/16W J	
D617	SML-310LT/MN/-X	LED		G151 E,G15 2EU, G152 EX,G1 52EY	R644	NRSA63J-331X	MG RESISTOR	330Ω 1/16W J	
D618	SML-310LT/MN/-X	LED			R651	NRSA63J-222X	MG RESISTOR	2.2kΩ 1/16W J	
D631	NSPW310BS/BRS/	LED			R652	NRSA63J-222X	MG RESISTOR	2.2kΩ 1/16W J	
D632	NSPW310BS/BRS/	LED			R653	NRSA63J-103X	MG RESISTOR	10kΩ 1/16W J	
D641	MA8051/M/-X	Z DIODE			R654	NRSA63J-103X	MG RESISTOR	10kΩ 1/16W J	
D643	MA111-X	SI DIODE			R655	NRSA63J-103X	MG RESISTOR	10kΩ 1/16W J	
C601	NCB31HK-223X	C CAPACITOR	0.022uF 50V K		R656	NRSA63J-103X	MG RESISTOR	10kΩ 1/16W J	
C602	NCS31HJ-681X	C CAPACITOR	680pF 50V J		R657	NRSA63J-513X	MG RESISTOR	51kΩ 1/16W J	
C603	NBE20JM-106X	TA E CAPACITOR	10uF 6.3V M		R658	NRSA63J-184X	MG RESISTOR	180kΩ 1/16W J	
					R671	NRSA02J-0R0X	MG RESISTOR	0Ω 1/10W J	
R601	NRSA63J-821X	MG RESISTOR	820Ω 1/16W J		CJ601	QGZ1601K1-15S	CONNECTOR	(1-15)	
R602	NRSA63J-821X	MG RESISTOR	820Ω 1/16W J		S601	NSW0124-001X	TACT SW		
R603	NRSA63J-122X	MG RESISTOR	1.2kΩ 1/16W J		S602	NSW0124-001X	TACT SW		
R604	NRSA63J-182X	MG RESISTOR	1.8kΩ 1/16W J		S603	NSW0124-001X	TACT SW		
R605	NRSA63J-821X	MG RESISTOR	820Ω 1/16W J		S604	NSW0124-001X	TACT SW		
R606	NRSA63J-821X	MG RESISTOR	820Ω 1/16W J		S605	NSW0124-001X	TACT SW		
R607	NRSA63J-122X	MG RESISTOR	1.2kΩ 1/16W J		S606	NSW0124-001X	TACT SW		
R608	NRSA63J-182X	MG RESISTOR	1.8kΩ 1/16W J		S607	NSW0124-001X	TACT SW		
R609	NRSA63J-272X	MG RESISTOR	2.7kΩ 1/16W J		S608	NSW0124-001X	TACT SW		
R610	NRSA63J-392X	MG RESISTOR	3.9kΩ 1/16W J		S609	NSW0124-001X	TACT SW		
R611	NRSA63J-821X	MG RESISTOR	820Ω 1/16W J		S610	NSW0124-001X	TACT SW		
R612	NRSA63J-821X	MG RESISTOR	820Ω 1/16W J		S611	NSW0124-001X	TACT SW		
R613	NRSA63J-122X	MG RESISTOR	1.2kΩ 1/16W J		S612	NSW0124-001X	TACT SW		
R614	NRSA63J-182X	MG RESISTOR	1.8kΩ 1/16W J		S613	NSW0124-001X	TACT SW		
R615	NRSA63J-272X	MG RESISTOR	2.7kΩ 1/16W J		S614	NSW0124-001X	TACT SW		
R627	NRSA02J-391X	MG RESISTOR	390Ω 1/10W J		S615	NSW0124-001X	TACT SW		
R628	NRSA02J-391X	MG RESISTOR	390Ω 1/10W J		S616	NSW0124-001X	TACT SW		
					S617	NSW0124-001X	TACT SW		
					S618	NSW0124-001X	TACT SW		
R629	NRSA63J-911X	MG RESISTOR	910Ω 1/16W J	G151 E,G15 1EU, G151 EX,G1 51EY					

# Main board (KD-S1501\_E2.EX2.EY2.EU2)

Block No. [0][5]

Symbol No.	Part No.	Part Name	Description	Local
IC71	SAA6579T-X	IC		
IC161	TEA6320T-X	IC		
IC301	LA4743K	POWER IC		
IC501	TA2157FN-X	RF AMP IC		
IC521	TC94A14FA	CD LSI IC		
IC561	LA6242H-X	IC		
IC571	NJM4565M-WE	IC		
IC701	UPD178078GF-690	IC		
IC901	HA13164A	IC		
Q1	UN2211-X	TRANSISTOR		
Q2	2SD601A/QR/-X	TRANSISTOR		
Q3	UN2111-X	TRANSISTOR		
Q4	2SB709A/R/-X	TRANSISTOR		
Q5	2SB624/4/-X	TRANSISTOR		
Q6	UN2211-X	TRANSISTOR		
Q7	UN2211-X	TRANSISTOR		
Q31	2SD601A/QR/-X	TRANSISTOR		
Q32	2SD601A/QR/-X	TRANSISTOR		
Q41	2SC3661-X	TRANSISTOR		
Q42	2SC3661-X	TRANSISTOR		
Q51	2SD601A/QR/-X	TRANSISTOR		
Q52	2SD601A/QR/-X	TRANSISTOR		
Q53	UN2211-X	TRANSISTOR		
Q71	UN2111-X	TRANSISTOR		
Q73	2SD601A/QR/-X	TRANSISTOR		
Q74	2SD601A/QR/-X	TRANSISTOR		
Q341	KTD1304-X	TRANSISTOR		
Q351	KTD1304-X	TRANSISTOR		
Q501	2SB1241/QR/-T	TRANSISTOR		
Q521	UN2111-X	TRANSISTOR		
Q522	UN2211-X	TRANSISTOR		
Q561	2SB1322/RS/-T	TRANSISTOR		
Q761	2SB624/4/-X	TRANSISTOR		
Q762	2SB624/4/-X	TRANSISTOR		
Q763	UN2211-X	TRANSISTOR		
Q781	UN2111-X	TRANSISTOR		
Q782	UN2213-X	DIGI TRANSISTOR		
Q783	UN2111-X	TRANSISTOR		
Q891	UN2211-X	TRANSISTOR		
Q901	2SB709A/QR/-X	TRANSISTOR		
Q902	UN2211-X	TRANSISTOR		
D1	MA111-X	SI DIODE		
D2	MA111-X	SI DIODE		
D3	MA111-X	SI DIODE		
D4	MA111-X	SI DIODE		
D71	MA111-X	SI DIODE		
D321	MA111-X	SI DIODE		
D341	MA111-X	SI DIODE		
D561	1A3G-T1	SI DIODE		
D702	MA8062/M/-X	Z DIODE		
D703	MA8062/M/-X	Z DIODE		
D704	MA8062/M/-X	Z DIODE		
D705	MA8062/M/-X	Z DIODE		
D706	MA8062/M/-X	Z DIODE		
D707	MA8062/M/-X	Z DIODE		
D708	MA8062/M/-X	Z DIODE		
D761	MA111-X	SI DIODE		
D762	MA111-X	SI DIODE		
D781	MA111-X	SI DIODE		
D782	MA111-X	SI DIODE		
D783	MA8091/M/-X	Z DIODE		
D891	MA111-X	SI DIODE		
D892	MA111-X	SI DIODE		
D901	1N5401-F64	DIODE		
D902	MA111-X	SI DIODE		
D971	RB160M-30-X	SB DIODE		
D972	RB160M-30-X	SB DIODE		
C2	NCB31EK-473X	C CAPACITOR	0.047uF 25V K	
C3	QEKJ1HM-474Z	E CAPACITOR	0.47uF 50V M	
C4	QEKJ1AM-227Z	E CAPACITOR	220uF 10V M	

Symbol No.	Part No.	Part Name	Description	Local
C5	NDC31HJ-101X	C CAPACITOR	100pF 50V J	
C6	QEKJ1AM-107Z	E CAPACITOR	100uF 10V M	
C8	NCB31HK-102X	C CAPACITOR	1000pF 50V K	
C9	QEKJ1AM-227Z	E CAPACITOR	220uF 10V M	
C10	QEKJ1HM-105Z	E CAPACITOR	1uF 50V M	
C14	NCB31EK-103X	C CAPACITOR	0.01uF 25V K	
C31	QEKJ1HM-225Z	E CAPACITOR	2.2uF 50V M	
C32	NCS31HJ-102X	C CAPACITOR	1000pF 50V J	
C41	NCB21EK-124X	C CAPACITOR	0.12uF 25V K	
C42	NCB31HK-333X	C CAPACITOR	0.033uF 50V K	
C43	QEKJ1CM-107Z	E CAPACITOR	100uF 16V M	
C51	QEKJ1HM-474Z	E CAPACITOR	0.47uF 50V M	
C52	NCB31EK-472X	C CAPACITOR	4700pF 25V K	
C53	NCB31EK-104X	C CAPACITOR	0.1uF 25V K	
C54	NCB31EK-103X	C CAPACITOR	0.01uF 25V K	
C55	NDC31HJ-331X	C CAPACITOR	330pF 50V J	
C71	NDC31HJ-820X	C CAPACITOR	82pF 50V J	
C72	NDC31HJ-470X	C CAPACITOR	47pF 50V J	
C73	NCB31HK-103X	C CAPACITOR	0.01uF 50V K	
C74	QEKJ0JM-476Z	E CAPACITOR	47uF 6.3V M	
C75	NDC31HJ-561X	C CAPACITOR	560pF 50V J	
C76	NCB31EK-223X	C CAPACITOR	0.022uF 25V K	
C77	QEKJ1HM-225Z	E CAPACITOR	2.2uF 50V M	
C78	NCB31EK-104X	C CAPACITOR	0.1uF 25V K	
C79	NCB31EK-103X	C CAPACITOR	0.01uF 25V K	
C81	NCB31HK-102X	C CAPACITOR	1000pF 50V K	
C82	NCB31EK-123X	C CAPACITOR	0.012uF 25V K	
C83	NCB31HK-222X	C CAPACITOR	2200pF 50V K	
C84	QEKJ1HM-105Z	E CAPACITOR	1uF 50V M	
C91	NCB31HK-102X	C CAPACITOR	1000pF 50V K	
C92	NCB31EK-123X	C CAPACITOR	0.012uF 25V K	
C93	NCB31HK-222X	C CAPACITOR	2200pF 50V K	
C94	QEKJ1HM-105Z	E CAPACITOR	1uF 50V M	
C162	NCB31HK-822X	C CAPACITOR	8200pF 50V K	
C163	NCB31CK-224X	C CAPACITOR	0.22uF 16V K	
C164	NCB31CK-224X	C CAPACITOR	0.22uF 16V K	
C165	NCB31CK-333X	C CAPACITOR	0.033uF 16V K	
C166	NCB31HK-562X	C CAPACITOR	5600pF 50V K	
C167	QEKJ1HM-475Z	E CAPACITOR	4.7uF 50V M	
C168	QEKJ1HM-475Z	E CAPACITOR	4.7uF 50V M	
C172	NCB31HK-822X	C CAPACITOR	8200pF 50V K	
C173	NCB31CK-224X	C CAPACITOR	0.22uF 16V K	
C174	NCB31CK-224X	C CAPACITOR	0.22uF 16V K	
C175	NCB31CK-333X	C CAPACITOR	0.033uF 16V K	
C176	NCB31HK-562X	C CAPACITOR	5600pF 50V K	
C177	QEKJ1HM-475Z	E CAPACITOR	4.7uF 50V M	
C178	QEKJ1HM-475Z	E CAPACITOR	4.7uF 50V M	
C182	QTE1H54-225Z	E CAPACITOR	2.2uF 50V	
C183	QTE1H54-225Z	E CAPACITOR	2.2uF 50V	
C185	QEKJ1HM-105Z	E CAPACITOR	1uF 50V M	
C186	QEKJ1HM-105Z	E CAPACITOR	1uF 50V M	
C191	QEKJ1CM-476Z	E CAPACITOR	47uF 16V M	
C192	QEKJ1AM-107Z	E CAPACITOR	100uF 10V M	
C193	QEKJ1CM-107Z	E CAPACITOR	100uF 16V M	
C194	NCB31CK-103X	C CAPACITOR	0.01uF 16V K	
C195	NCB31CK-224X	C CAPACITOR	0.22uF 16V K	
C196	NCB31EK-104X	C CAPACITOR	0.1uF 25V K	
C301	QEKJ1EM-475Z	E CAPACITOR	4.7uF 25V M	
C302	NCB31HK-223X	C CAPACITOR	0.022uF 50V K	
C303	QERF1CM-476Z	E CAPACITOR	47uF 16V M	
C304	QEKJ1CM-107Z	E CAPACITOR	100uF 16V M	
C305	QERF1CM-226Z	E CAPACITOR	22uF 16V M	
C306	NCB31HK-223X	C CAPACITOR	0.022uF 50V K	
C308	NCB31EK-104X	C CAPACITOR	0.1uF 25V K	
C309	NCB31EK-104X	C CAPACITOR	0.1uF 25V K	
C310	NCB31EK-104X	C CAPACITOR	0.1uF 25V K	
C311	NCB31EK-104X	C CAPACITOR	0.1uF 25V K	
C312	NDC31HJ-101X	C CAPACITOR	100pF 50V J	
C313	NDC31HJ-101X	C CAPACITOR	100pF 50V J	
C314	NDC31HJ-101X	C CAPACITOR	100pF 50V J	
C315	NDC31HJ-101X	C CAPACITOR	100pF 50V J	
C316	NDC31HJ-101X	C CAPACITOR	100pF 50V J	
C317	NDC31HJ-101X	C CAPACITOR	100pF 50V J	
C318	NDC31HJ-101X	C CAPACITOR	100pF 50V J	
C319	NDC31HJ-101X	C CAPACITOR	100pF 50V J	
C321	NDC31HJ-101X	C CAPACITOR	100pF 50V J	
C322	QFV91HJ-474Z	MF CAPACITOR	0.47uF 50V J	



Symbol No.	Part No.	Part Name	Description	Local	Symbol No.	Part No.	Part Name	Description	Local
C331	NDC31HJ-101X	C CAPACITOR	100pF 50V J		C597	NCS31HJ-102X	C CAPACITOR	1000pF 50V J	
C332	QFV91HJ-474Z	MF CAPACITOR	0.47uF 50V J		C703	NCB31HK-103X	C CAPACITOR	0.01uF 50V K	
C333	NCB31EK-473X	C CAPACITOR	0.047uF 25V K		C704	NBE40JM-476X	TA E CAPACITOR	47uF 6.3V M	
C341	NDC31HJ-101X	C CAPACITOR	100pF 50V J		C705	NCB31EK-104X	C CAPACITOR	0.1uF 25V K	
C342	QFV91HJ-474Z	MF CAPACITOR	0.47uF 50V J		C706	NCB31EK-104X	C CAPACITOR	0.1uF 25V K	
C351	NDC31HJ-101X	C CAPACITOR	100pF 50V J		C707	NDC31HJ-270X	C CAPACITOR	27pF 50V J	
C352	QFV91HJ-474Z	MF CAPACITOR	0.47uF 50V J		C708	NDC31HJ-220X	C CAPACITOR	22pF 50V J	
C501	NCB31HK-103X	C CAPACITOR	0.01uF 50V K		C709	QEKJ1AM-107Z	E CAPACITOR	100uF 10V M	
C502	NCB31HK-103X	C CAPACITOR	0.01uF 50V K		C710	NCB31EK-103X	C CAPACITOR	0.01uF 25V K	
C503	QEKJ0JM-107Z	E CAPACITOR	100uF 6.3V M		C711	NCB31EK-104X	C CAPACITOR	0.1uF 25V K	
C504	NCB31HK-103X	C CAPACITOR	0.01uF 50V K		C712	NCB31EK-104X	C CAPACITOR	0.1uF 25V K	
C505	QEKJ0JM-107Z	E CAPACITOR	100uF 6.3V M		C713	NCB31HK-103X	C CAPACITOR	0.01uF 50V K	
C507	NCB31HK-682X	C CAPACITOR	6800pF 50V K		C714	NCB31AK-334X	C CAPACITOR	0.33uF 10V K	
C508	NCB31HK-103X	C CAPACITOR	0.01uF 50V K		C717	NCB31EK-104X	C CAPACITOR	0.1uF 25V K	
C509	QEKJ0JM-107Z	E CAPACITOR	100uF 6.3V M		C718	NCB31EK-104X	C CAPACITOR	0.1uF 25V K	
C510	NCB31EK-104X	C CAPACITOR	0.1uF 25V K		C781	QERF1AM-227Z	E CAPACITOR	220uF 10V M	
C511	NCB31EK-104X	C CAPACITOR	0.1uF 25V K		C782	QERF1CM-226Z	E CAPACITOR	22uF 16V M	
C512	NDC31HJ-820X	C CAPACITOR	82pF 50V J		C783	NCB31CK-224X	C CAPACITOR	0.22uF 16V K	
C513	NCB31HK-103X	C CAPACITOR	0.01uF 50V K		C784	QEKJ1EM-475Z	E CAPACITOR	4.7uF 25V M	
C514	NDC31HJ-5R0X	C CAPACITOR	5pF 50V J		C891	NCB31EK-104X	C CAPACITOR	0.1uF 25V K	
C515	NCB31HK-103X	C CAPACITOR	0.01uF 50V K		C901	QEZ0646-228	E CAPACITOR	2200uF	
C516	NCB31HK-103X	C CAPACITOR	0.01uF 50V K		C902	QEKJ1HM-225Z	E CAPACITOR	2.2uF 50V M	
C517	NCB31HK-103X	C CAPACITOR	0.01uF 50V K		C903	QEKJ1CM-476Z	E CAPACITOR	47uF 16V M	
C521	NCB31HK-103X	C CAPACITOR	0.01uF 50V K		C904	QEKJ1CM-106Z	E CAPACITOR	10uF 16V M	
C522	QEKJ0JM-107Z	E CAPACITOR	100uF 6.3V M		C905	QEKJ1CM-476Z	E CAPACITOR	47uF 16V M	
C523	NDC31HJ-470X	C CAPACITOR	47pF 50V J		C906	NCB31EK-103X	C CAPACITOR	0.01uF 25V K	
C524	NCB31HK-153X	C CAPACITOR	0.015uF 50V K		C907	QEKJ1AM-227Z	E CAPACITOR	220uF 10V M	
C525	NCB31HK-103X	C CAPACITOR	0.01uF 50V K		C908	QEKJ1AM-227Z	E CAPACITOR	220uF 10V M	
C526	NCB31HK-272X	C CAPACITOR	2700pF 50V K		C909	QEKJ1AM-227Z	E CAPACITOR	220uF 10V M	
C527	NCB31HK-103X	C CAPACITOR	0.01uF 50V K		C910	QEKJ1CM-106Z	E CAPACITOR	10uF 16V M	
C528	NCB31EK-333X	C CAPACITOR	0.033uF 25V K		C911	NCB31EK-104X	C CAPACITOR	0.1uF 25V K	
C529	QEKJ0JM-107Z	E CAPACITOR	100uF 6.3V M		C912	NCB31HK-103X	C CAPACITOR	0.01uF 50V K	
C530	NCB31EK-333X	C CAPACITOR	0.033uF 25V K		C913	QEKJ1CM-106Z	E CAPACITOR	10uF 16V M	
C531	NCB31EK-473X	C CAPACITOR	0.047uF 25V K		C914	QEKJ1CM-107Z	E CAPACITOR	100uF 16V M	
C533	NDC31HJ-471X	C CAPACITOR	470pF 50V J		C915	NCB31EK-104X	C CAPACITOR	0.1uF 25V K	
C534	NDC31HJ-471X	C CAPACITOR	470pF 50V J		C918	NDC31HJ-101X	C CAPACITOR	100pF 50V J	
C535	NCB31EK-473X	C CAPACITOR	0.047uF 25V K		C971	NCB31EK-104X	C CAPACITOR	0.1uF 25V K	
C536	NCB31EK-473X	C CAPACITOR	0.047uF 25V K		R1	NRSA63J-101X	MG RESISTOR	100Ω 1/16W J	
C537	NCB31EK-473X	C CAPACITOR	0.047uF 25V K		R2	NRSA63J-103X	MG RESISTOR	10kΩ 1/16W J	
C538	NCB31EK-473X	C CAPACITOR	0.047uF 25V K		R4	NRSA63J-472X	MG RESISTOR	4.7kΩ 1/16W J	
C539	QEKJ0JM-107Z	E CAPACITOR	100uF 6.3V M		R5	NRSA63J-473X	MG RESISTOR	47kΩ 1/16W J	
C540	NCB31HK-103X	C CAPACITOR	0.01uF 50V K		R6	NRSA63J-473X	MG RESISTOR	47kΩ 1/16W J	
C541	NCB31HK-103X	C CAPACITOR	0.01uF 50V K		R7	NRSA63J-472X	MG RESISTOR	4.7kΩ 1/16W J	
C544	NCB31HK-103X	C CAPACITOR	0.01uF 50V K		R8	NRSA63J-473X	MG RESISTOR	47kΩ 1/16W J	
C545	QEKJ0JM-107Z	E CAPACITOR	100uF 6.3V M		R9	NRSA63J-332X	MG RESISTOR	3.3kΩ 1/16W J	
C546	NDC31HJ-101X	C CAPACITOR	100pF 50V J		R10	NRS181J-100X	MG RESISTOR	10Ω 1/8W J	
C547	NCB31EK-104X	C CAPACITOR	0.1uF 25V K		R11	NRSA63J-103X	MG RESISTOR	10kΩ 1/16W J	
C548	QEKJ0JM-107Z	E CAPACITOR	100uF 6.3V M		R31	NRSA63J-102X	MG RESISTOR	1kΩ 1/16W J	
C549	NCB31HK-103X	C CAPACITOR	0.01uF 50V K		R32	NRSA63J-103X	MG RESISTOR	10kΩ 1/16W J	
C550	QEKJ1HM-105Z	E CAPACITOR	1uF 50V M		R33	NRSA63J-152X	MG RESISTOR	1.5kΩ 1/16W J	
C551	QEKJ1AM-107Z	E CAPACITOR	100uF 10V M		R35	NRSA63J-102X	MG RESISTOR	1kΩ 1/16W J	
C552	NCB31HK-103X	C CAPACITOR	0.01uF 50V K		R41	NRSA63J-332X	MG RESISTOR	3.3kΩ 1/16W J	
C553	NDC31HJ-100X	C CAPACITOR	10pF 50V J		R42	NRSA63J-102X	MG RESISTOR	1kΩ 1/16W J	
C554	NDC31HJ-100X	C CAPACITOR	10pF 50V J		R43	NRSA63J-102X	MG RESISTOR	1kΩ 1/16W J	
C555	QEKJ0JM-107Z	E CAPACITOR	100uF 6.3V M		R44	NRSA02J-330X	MG RESISTOR	33Ω 1/10W J	
C556	NCB31EK-104X	C CAPACITOR	0.1uF 25V K		R45	NRSA63J-102X	MG RESISTOR	1kΩ 1/16W J	
C559	NCB31HK-182X	C CAPACITOR	1800pF 50V K		R51	NRSA63J-471X	MG RESISTOR	470Ω 1/16W J	
C560	NCB31EK-473X	C CAPACITOR	0.047uF 25V K		R52	NRSA63J-153X	MG RESISTOR	15kΩ 1/16W J	
C561	QEKJ0JM-476Z	E CAPACITOR	47uF 6.3V M		R53	NRSA63J-103X	MG RESISTOR	10kΩ 1/16W J	
C562	NCB31HK-103X	C CAPACITOR	0.01uF 50V K		R54	NRSA63J-103X	MG RESISTOR	10kΩ 1/16W J	
C563	QEDJ1AM-107Z	E CAPACITOR	100uF 10V M		R55	NRSA63J-222X	MG RESISTOR	2.2kΩ 1/16W J	
C564	NCB31EK-473X	C CAPACITOR	0.047uF 25V K		R56	NRSA63J-473X	MG RESISTOR	47kΩ 1/16W J	
C565	NCB31EK-473X	C CAPACITOR	0.047uF 25V K		R57	NRSA63J-473X	MG RESISTOR	47kΩ 1/16W J	
C566	NCB31EK-473X	C CAPACITOR	0.047uF 25V K		R58	NRSA63J-473X	MG RESISTOR	47kΩ 1/16W J	
C567	NCB31EK-473X	C CAPACITOR	0.047uF 25V K		R59	NRSA63J-223X	MG RESISTOR	22kΩ 1/16W J	
C568	NCB31EK-223X	C CAPACITOR	0.022uF 25V K		R71	NRSA63J-222X	MG RESISTOR	2.2kΩ 1/16W J	
C581	NCS31HJ-821X	C CAPACITOR	820pF 50V J		R72	NRSA63J-222X	MG RESISTOR	2.2kΩ 1/16W J	
C582	QEKJ1EM-475Z	E CAPACITOR	4.7uF 25V M		R73	NRSA63J-222X	MG RESISTOR	2.2kΩ 1/16W J	
C583	NDC31HJ-121X	C CAPACITOR	120pF 50V J		R74	NRSA63J-0R0X	MG RESISTOR	0Ω 1/16W J	
C584	NCS31HJ-821X	C CAPACITOR	820pF 50V J		R75	NRSA63J-472X	MG RESISTOR	4.7kΩ 1/16W J	
C585	QEKJ0JM-476Z	E CAPACITOR	47uF 6.3V M		R76	NRSA63J-472X	MG RESISTOR	4.7kΩ 1/16W J	
C591	NCS31HJ-821X	C CAPACITOR	820pF 50V J		R77	NRSA02J-101X	MG RESISTOR	100Ω 1/10W J	
C592	QEKJ1EM-475Z	E CAPACITOR	4.7uF 25V M		R81	NRSA63J-103X	MG RESISTOR	10kΩ 1/16W J	
C593	NDC31HJ-121X	C CAPACITOR	120pF 50V J		R82	NRSA63J-183X	MG RESISTOR	18kΩ 1/16W J	
C594	NCS31HJ-821X	C CAPACITOR	820pF 50V J		R91	NRSA63J-103X	MG RESISTOR	10kΩ 1/16W J	
C595	QEKJ0JM-476Z	E CAPACITOR	47uF 6.3V M		R92	NRSA63J-183X	MG RESISTOR	18kΩ 1/16W J	
C596	QEKJ1CM-107Z	E CAPACITOR	100uF 16V M						

Symbol No.	Part No.	Part Name	Description	Local	Symbol No.	Part No.	Part Name	Description	Local
R162	NRSA63J-223X	MG RESISTOR	22kΩ 1/16W J		R586	NRSA63J-223X	MG RESISTOR	22kΩ 1/16W J	
R163	NRSA63J-222X	MG RESISTOR	2.2kΩ 1/16W J		R587	NRSA63J-223X	MG RESISTOR	22kΩ 1/16W J	
R164	NRSA63J-271X	MG RESISTOR	270Ω 1/16W J		R591	NRSA63J-183X	MG RESISTOR	18kΩ 1/16W J	
R165	NRSA63J-473X	MG RESISTOR	47kΩ 1/16W J		R592	NRSA63J-333X	MG RESISTOR	33kΩ 1/16W J	
R166	NRSA63J-473X	MG RESISTOR	47kΩ 1/16W J		R593	NRSA63J-512X	MG RESISTOR	5.1kΩ 1/16W J	
R167	NRSA63J-273X	MG RESISTOR	27kΩ 1/16W J		R594	NRSA63J-151X	MG RESISTOR	150Ω 1/16W J	
R168	NRSA63J-273X	MG RESISTOR	27kΩ 1/16W J		R595	NRSA63J-0R0X	MG RESISTOR	0Ω 1/16W J	
R172	NRSA63J-223X	MG RESISTOR	22kΩ 1/16W J		R596	NRSA63J-223X	MG RESISTOR	22kΩ 1/16W J	
R173	NRSA63J-222X	MG RESISTOR	2.2kΩ 1/16W J		R597	NRSA63J-223X	MG RESISTOR	22kΩ 1/16W J	
R174	NRSA63J-271X	MG RESISTOR	270Ω 1/16W J		R705	NRSA63J-222X	MG RESISTOR	2.2kΩ 1/16W J	
R175	NRSA63J-473X	MG RESISTOR	47kΩ 1/16W J		R706	NRSA63J-222X	MG RESISTOR	2.2kΩ 1/16W J	
R176	NRSA63J-473X	MG RESISTOR	47kΩ 1/16W J		R708	NRSA63J-222X	MG RESISTOR	2.2kΩ 1/16W J	
R177	NRSA63J-273X	MG RESISTOR	27kΩ 1/16W J		R709	NRSA63J-473X	MG RESISTOR	47kΩ 1/16W J	
R178	NRSA63J-273X	MG RESISTOR	27kΩ 1/16W J		R710	NRSA63J-473X	MG RESISTOR	47kΩ 1/16W J	
R191	NRS181J-100X	MG RESISTOR	10Ω 1/8W J		R713	NRSA63J-103X	MG RESISTOR	10kΩ 1/16W J	
R301	NRSA63J-472X	MG RESISTOR	4.7kΩ 1/16W J		R714	NRSA63J-103X	MG RESISTOR	10kΩ 1/16W J	
R341	NRSA02J-821X	MG RESISTOR	820Ω 1/10W J		R715	NRSA63J-103X	MG RESISTOR	10kΩ 1/16W J	
R342	NRSA02J-101X	MG RESISTOR	100Ω 1/10W J		R717	NRSA63J-103X	MG RESISTOR	10kΩ 1/16W J	
R343	NRSA63J-222X	MG RESISTOR	2.2kΩ 1/16W J		R718	NRSA63J-103X	MG RESISTOR	10kΩ 1/16W J	
R351	NRSA02J-821X	MG RESISTOR	820Ω 1/10W J		R719	NRSA63J-472X	MG RESISTOR	4.7kΩ 1/16W J	
R352	NRSA02J-101X	MG RESISTOR	100Ω 1/10W J		R720	NRSA63J-472X	MG RESISTOR	4.7kΩ 1/16W J	
R353	NRSA63J-222X	MG RESISTOR	2.2kΩ 1/16W J		R721	NRSA63J-472X	MG RESISTOR	4.7kΩ 1/16W J	
R503	NRSA63J-823X	MG RESISTOR	82kΩ 1/16W J		R722	NRSA63J-473X	MG RESISTOR	47kΩ 1/16W J	
R504	NRSA63J-823X	MG RESISTOR	82kΩ 1/16W J		R723	NRSA63J-473X	MG RESISTOR	47kΩ 1/16W J	
R505	NRSA63J-334X	MG RESISTOR	330kΩ 1/16W J		R724	NRSA63J-0R0X	MG RESISTOR	0Ω 1/16W J	
R506	NRSA63J-334X	MG RESISTOR	330kΩ 1/16W J		R725	NRSA63J-473X	MG RESISTOR	47kΩ 1/16W J	
R507	NRSA02J-220X	MG RESISTOR	22Ω 1/10W J		R726	NRSA63J-473X	MG RESISTOR	47kΩ 1/16W J	
R508	NRSA02J-220X	MG RESISTOR	22Ω 1/10W J		R727	NRSA63J-103X	MG RESISTOR	10kΩ 1/16W J	
R509	NRSA63J-823X	MG RESISTOR	82kΩ 1/16W J		R728	NRSA63J-473X	MG RESISTOR	47kΩ 1/16W J	
R510	NRSA63J-563X	MG RESISTOR	56kΩ 1/16W J		R729	NRSA63J-473X	MG RESISTOR	47kΩ 1/16W J	
R511	NRSA63J-103X	MG RESISTOR	10kΩ 1/16W J		R730	NRSA63J-104X	MG RESISTOR	100kΩ 1/16W J	
R512	NRSA63J-202X	MG RESISTOR	2kΩ 1/16W J		R731	NRSA63J-473X	MG RESISTOR	47kΩ 1/16W J	
R513	NRSA63J-102X	MG RESISTOR	1kΩ 1/16W J		R734	NRSA63J-472X	MG RESISTOR	4.7kΩ 1/16W J	
R514	NRSA63J-153X	MG RESISTOR	15kΩ 1/16W J		R735	NRSA63J-102X	MG RESISTOR	1kΩ 1/16W J	
R515	NRSA63J-101X	MG RESISTOR	100Ω 1/16W J		R736	NRSA63J-122X	MG RESISTOR	1.2kΩ 1/16W J	
R516	NRSA63J-821X	MG RESISTOR	820Ω 1/16W J		R737	NRSA63J-473X	MG RESISTOR	47kΩ 1/16W J	
R517	NRSA63J-0R0X	MG RESISTOR	0Ω 1/16W J		R738	NRSA63J-0R0X	MG RESISTOR	0Ω 1/16W J	
R519	NRSA02J-151X	MG RESISTOR	150Ω 1/10W J		R739	NRSA63J-0R0X	MG RESISTOR	0Ω 1/16W J	
R521	NRSA63J-562X	MG RESISTOR	5.6kΩ 1/16W J		R740	NRSA63J-104X	MG RESISTOR	100kΩ 1/16W J	
R522	NRSA63J-473X	MG RESISTOR	47kΩ 1/16W J		R741	NRSA63J-103X	MG RESISTOR	10kΩ 1/16W J	
R523	NRSA63J-474X	MG RESISTOR	470kΩ 1/16W J		R742	NRSA63J-473X	MG RESISTOR	47kΩ 1/16W J	
R524	NRSA63J-153X	MG RESISTOR	15kΩ 1/16W J		R743	NRSA63J-473X	MG RESISTOR	47kΩ 1/16W J	
R525	NRSA63J-103X	MG RESISTOR	10kΩ 1/16W J		R744	NRSA63J-103X	MG RESISTOR	10kΩ 1/16W J	
R526	NRSA63J-0R0X	MG RESISTOR	0Ω 1/16W J		R750	NRSA63J-223X	MG RESISTOR	22kΩ 1/16W J	
R527	NRSA63J-101X	MG RESISTOR	100Ω 1/16W J		R751	NRSA63J-222X	MG RESISTOR	2.2kΩ 1/16W J	
R528	NRSA63J-101X	MG RESISTOR	100Ω 1/16W J		R752	NRSA63J-103X	MG RESISTOR	10kΩ 1/16W J	
R529	NRSA63J-0R0X	MG RESISTOR	0Ω 1/16W J		R753	NRSA63J-473X	MG RESISTOR	47kΩ 1/16W J	
R530	NRSA63J-0R0X	MG RESISTOR	0Ω 1/16W J		R754	NRSA63J-0R0X	MG RESISTOR	0Ω 1/16W J	
R531	NRSA63J-101X	MG RESISTOR	100Ω 1/16W J		R755	NRSA63J-0R0X	MG RESISTOR	0Ω 1/16W J	
R532	NRSA63J-101X	MG RESISTOR	100Ω 1/16W J		R761	NRSA63J-472X	MG RESISTOR	4.7kΩ 1/16W J	
R533	NRSA63J-105X	MG RESISTOR	1MΩ 1/16W J		R762	NRSA63J-332X	MG RESISTOR	3.3kΩ 1/16W J	
R534	NRSA63J-472X	MG RESISTOR	4.7kΩ 1/16W J		R763	NRSA63J-472X	MG RESISTOR	4.7kΩ 1/16W J	
R535	NRSA63J-472X	MG RESISTOR	4.7kΩ 1/16W J		R764	NRSA63J-473X	MG RESISTOR	47kΩ 1/16W J	
R536	NRSA63J-472X	MG RESISTOR	4.7kΩ 1/16W J		R765	NRSA63J-0R0X	MG RESISTOR	0Ω 1/16W J	
R537	NRSA63J-472X	MG RESISTOR	4.7kΩ 1/16W J		R782	NRSA63J-102X	MG RESISTOR	1kΩ 1/16W J	
R538	NRSA63J-103X	MG RESISTOR	10kΩ 1/16W J		R882	NRSA63J-473X	MG RESISTOR	47kΩ 1/16W J	
R539	NRSA63J-155X	MG RESISTOR	1.5MΩ 1/16W J		R891	NRSA63J-473X	MG RESISTOR	47kΩ 1/16W J	
R561	NRSA63J-333X	MG RESISTOR	33kΩ 1/16W J		R892	NRSA63J-102X	MG RESISTOR	1kΩ 1/16W J	
R562	NRSA63J-822X	MG RESISTOR	8.2kΩ 1/16W J		R901	QRE142J-102X	C RESISTOR	1kΩ 1/4W J	
R563	NRSA63J-472X	MG RESISTOR	4.7kΩ 1/16W J		R902	NRSA02J-912X	MG RESISTOR	9.1kΩ 1/10W J	
R564	NRSA63J-153X	MG RESISTOR	15kΩ 1/16W J		R903	NRSA02J-472X	MG RESISTOR	4.7kΩ 1/10W J	
R566	NRSA02J-822X	MG RESISTOR	8.2kΩ 1/10W J		R905	NRSA02J-822X	MG RESISTOR	8.2kΩ 1/10W J	
R567	NRSA63J-682X	MG RESISTOR	6.8kΩ 1/16W J		R906	NRSA63J-203X	MG RESISTOR	20kΩ 1/16W J	
R568	NRSA63J-302X	MG RESISTOR	3kΩ 1/16W J		R971	NRS181J-222X	MG RESISTOR	2.2kΩ 1/8W J	
R569	NRSA63J-472X	MG RESISTOR	4.7kΩ 1/16W J		R972	NRS181J-222X	MG RESISTOR	2.2kΩ 1/8W J	
R571	NRSA63J-152X	MG RESISTOR	1.5kΩ 1/16W J						
R572	NRSA63J-152X	MG RESISTOR	1.5kΩ 1/16W J		L1	QQL244J-4R7Z	COIL	4.7uH J	
R573	NRSA63J-152X	MG RESISTOR	1.5kΩ 1/16W J		L521	QQL244J-470Z	COIL	47uH J	
R574	NRS181J-220X	MG RESISTOR	22Ω 1/8W J		L522	QQL244J-470Z	COIL	47uH J	
R575	NRS181J-220X	MG RESISTOR	22Ω 1/8W J		L523	QQL244J-470Z	COIL	47uH J	
R576	NRSA02J-512X	MG RESISTOR	5.1kΩ 1/10W J		L524	QQL244J-470Z	COIL	47uH J	
R577	NRSA02J-822X	MG RESISTOR	8.2kΩ 1/10W J		L701	QQL244K-4R7Z	COIL	4.7uH K	
R581	NRSA63J-183X	MG RESISTOR	18kΩ 1/16W J		L702	QQL244K-4R7Z	COIL	4.7uH K	
R582	NRSA63J-333X	MG RESISTOR	33kΩ 1/16W J		L703	QQL244K-4R7Z	COIL	4.7uH K	
R583	NRSA63J-512X	MG RESISTOR	5.1kΩ 1/16W J		L901	QQR0703-001	CHOKE COIL		
R584	NRSA63J-151X	MG RESISTOR	150Ω 1/16W J						
R585	NRSA63J-0R0X	MG RESISTOR	0Ω 1/16W J		CN501	QGB2027M4-22S	CONNECTOR	B-B (1-22)	

Symbol No.	Part No.	Part Name	Description	Local
CN701	QGZ1601J1-15	CONNECTOR	(1-15)	
CN702	QGA2006F1-02	CONNECTOR	W-B (1-2)	
CN901	QNZ0650-001	CAR CONNECTOR		
J1	QNB0100-002	CAR ANT JACK		
J301	QNN0519-001	PIN JACK		
PP1	QZW0010-001	STYLE PIN		
PP2	QZW0010-001	STYLE PIN		
TU1	QAU0222-001	TUNER PACK		
X71	QAX0263-001Z	CRYSTAL	4.332MHz	
X521	QAX0413-001Z	CRYSTAL	16.9344MHz	
X701	QAX0406-001Z	CRYSTAL	4.500MHz	

Symbol No.	Part No.	Part Name	Description	Local
R634	NRSA02J-271X	MG RESISTOR	270Ω 1/10W J	
R636	NRSA02J-391X	MG RESISTOR	390Ω 1/10W J	
R638	NRSA02J-331X	MG RESISTOR	330Ω 1/10W J	
R640	NRSA02J-391X	MG RESISTOR	390Ω 1/10W J	
R642	NRSA02J-181X	MG RESISTOR	180Ω 1/10W J	
R644	NRSA02J-271X	MG RESISTOR	270Ω 1/10W J	
R646	NRS181J-471X	MG RESISTOR	470Ω 1/8W J	
R648	NRS181J-471X	MG RESISTOR	470Ω 1/8W J	
R650	NRSA63J-221X	MG RESISTOR	220Ω 1/16W J	
R652	NRSA63J-331X	MG RESISTOR	330Ω 1/16W J	
R654	NRSA63J-104X	MG RESISTOR	100kΩ 1/16W J	
R670	NRSA02J-0R0X	MG RESISTOR	0Ω 1/10W J	
R673	NRSA63J-222X	MG RESISTOR	2.2kΩ 1/16W J	
R674	NRSA63J-222X	MG RESISTOR	2.2kΩ 1/16W J	
R675	NRSA63J-103X	MG RESISTOR	10kΩ 1/16W J	
R676	NRSA63J-184X	MG RESISTOR	180kΩ 1/16W J	
R677	NRSA63J-103X	MG RESISTOR	10kΩ 1/16W J	
R678	NRSA63J-103X	MG RESISTOR	10kΩ 1/16W J	
R679	NRSA63J-103X	MG RESISTOR	10kΩ 1/16W J	
R680	NRSA63J-513X	MG RESISTOR	51kΩ 1/16W J	

## Switch board

(KD-S1501\_E2.EX2.EY2.EU2)

Block No. [0][6]

Symbol No.	Part No.	Part Name	Description	Local
IC601	PT6523LQ-L	LCD DRIVER		
D601	SML-310LT/MN/-X	LED		
D602	CL-165SR/PG-D-X	LED		
D603	CL-165SR/PG-D-X	LED		
D604	CL-165SR/PG-D-X	LED		
D605	CL-165SR/PG-D-X	LED		
D606	CL-165SR/PG-D-X	LED		
D607	CL-165SR/PG-D-X	LED		
D608	CL-165SR/PG-D-X	LED		
D609	CL-165SR/PG-D-X	LED		
D610	CL-165SR/PG-D-X	LED		
D611	CL-165SR/PG-D-X	LED		
D612	CL-165SR/PG-D-X	LED		
D613	CL-165SR/PG-D-X	LED		
D614	CL-165SR/PG-D-X	LED		
D615	CL-165SR/PG-D-X	LED		
D616	CL-165SR/PG-D-X	LED		
D617	CL-165SR/PG-D-X	LED		
D618	CL-165SR/PG-D-X	LED		
D631	NSPW310BS/BRS/	LED		
D632	NSPW310BS/BRS/	LED		
D641	MA8051/M/-X	Z DIODE		
D643	MA111-X	SI DIODE		

Symbol No.	Part No.	Part Name	Description	Local
CJ601	QGZ1601K1-15S	CONNECTOR	(1-15)	
S601	NSW0124-001X	TACT SW		
S602	NSW0124-001X	TACT SW		
S603	NSW0124-001X	TACT SW		
S604	NSW0124-001X	TACT SW		
S605	NSW0124-001X	TACT SW		
S606	NSW0124-001X	TACT SW		
S607	NSW0124-001X	TACT SW		
S608	NSW0124-001X	TACT SW		
S609	NSW0124-001X	TACT SW		
S610	NSW0124-001X	TACT SW		
S611	NSW0124-001X	TACT SW		
S612	NSW0124-001X	TACT SW		
S613	NSW0124-001X	TACT SW		
S614	NSW0124-001X	TACT SW		
S615	NSW0124-001X	TACT SW		
S616	NSW0124-001X	TACT SW		
S617	NSW0124-001X	TACT SW		
S618	NSW0124-001X	TACT SW		

C601	NCB31HK-223X	C CAPACITOR	0.022uF 50V K	
C602	NCS31HJ-681X	C CAPACITOR	680pF 50V J	
C603	NBE20JM-106X	TA E CAPACITOR	10uF 6.3V M	
R601	NRSA63J-821X	MG RESISTOR	820Ω 1/16W J	
R602	NRSA63J-821X	MG RESISTOR	820Ω 1/16W J	
R603	NRSA63J-122X	MG RESISTOR	1.2kΩ 1/16W J	
R604	NRSA63J-182X	MG RESISTOR	1.8kΩ 1/16W J	
R605	NRSA63J-821X	MG RESISTOR	820Ω 1/16W J	
R606	NRSA63J-821X	MG RESISTOR	820Ω 1/16W J	
R607	NRSA63J-122X	MG RESISTOR	1.2kΩ 1/16W J	
R608	NRSA63J-182X	MG RESISTOR	1.8kΩ 1/16W J	
R609	NRSA63J-272X	MG RESISTOR	2.7kΩ 1/16W J	
R610	NRSA63J-392X	MG RESISTOR	3.9kΩ 1/16W J	
R611	NRSA63J-821X	MG RESISTOR	820Ω 1/16W J	
R612	NRSA63J-821X	MG RESISTOR	820Ω 1/16W J	
R613	NRSA63J-122X	MG RESISTOR	1.2kΩ 1/16W J	
R614	NRSA63J-182X	MG RESISTOR	1.8kΩ 1/16W J	
R615	NRSA63J-272X	MG RESISTOR	2.7kΩ 1/16W J	
R619	NRSA02J-391X	MG RESISTOR	390Ω 1/10W J	
R620	NRSA02J-391X	MG RESISTOR	390Ω 1/10W J	
R621	NRSA63J-821X	MG RESISTOR	820Ω 1/16W J	
R622	NRS181J-471X	MG RESISTOR	470Ω 1/8W J	
R624	NRS181J-471X	MG RESISTOR	470Ω 1/8W J	
R626	NRSA63J-391X	MG RESISTOR	390Ω 1/16W J	
R628	NRSA63J-471X	MG RESISTOR	470Ω 1/16W J	
R630	NRS181J-561X	MG RESISTOR	560Ω 1/8W J	
R632	NRS181J-152X	MG RESISTOR	1.5kΩ 1/8W J	
R633	NRSA63J-152X	MG RESISTOR	1.5kΩ 1/16W J	

# Main board

(KD-G152/G151\_E2.EX2.EY2.EU2)

Block No. [0][7]

Symbol No.	Part No.	Part Name	Description	Local
IC71	SAA6579T-X	IC		
IC161	TEA6320T-X	IC		
IC301	LA4743K	POWER IC		
IC501	TA2157FN-X	RF AMP IC		
IC521	TC94A14FA	CD LSI IC		
IC561	LA6242H-X	IC		
IC571	NJM4565M-WE	IC		
IC701	UPD178078GF-690	IC		
IC901	HA13164A	IC		
Q1	UN2211-X	TRANSISTOR		
Q2	2SD601A/QR/-X	TRANSISTOR		
Q3	UN2111-X	TRANSISTOR		
Q4	2SB709A/R/-X	TRANSISTOR		
Q5	2SB624/4/-X	TRANSISTOR		
Q6	UN2211-X	TRANSISTOR		
Q7	UN2211-X	TRANSISTOR		
Q31	2SD601A/QR/-X	TRANSISTOR		
Q32	2SD601A/QR/-X	TRANSISTOR		
Q41	2SC3661-X	TRANSISTOR		
Q42	2SC3661-X	TRANSISTOR		
Q51	2SD601A/QR/-X	TRANSISTOR		
Q52	2SD601A/QR/-X	TRANSISTOR		
Q53	UN2211-X	TRANSISTOR		
Q71	UN2111-X	TRANSISTOR		
Q73	2SD601A/QR/-X	TRANSISTOR		
Q74	2SD601A/QR/-X	TRANSISTOR		
Q341	KTD1304-X	TRANSISTOR		
Q351	KTD1304-X	TRANSISTOR		
Q501	2SB1241/QR/-T	TRANSISTOR		
Q521	UN2111-X	TRANSISTOR		
Q522	UN2211-X	TRANSISTOR		
Q561	2SB1322/RS/-T	TRANSISTOR		
Q781	UN2111-X	TRANSISTOR		
Q782	UN2213-X	DIGI TRANSISTOR		
Q783	UN2111-X	TRANSISTOR		
Q901	2SB709A/QR/-X	TRANSISTOR		
Q902	UN2211-X	TRANSISTOR		
D1	MA111-X	SI DIODE		
D2	MA111-X	SI DIODE		
D3	MA111-X	SI DIODE		
D4	MA111-X	SI DIODE		
D71	MA111-X	SI DIODE		
D321	MA111-X	SI DIODE		
D341	MA111-X	SI DIODE		
D561	1A3G-T1	SI DIODE		
D702	MA8062/M/-X	Z DIODE		
D703	MA8062/M/-X	Z DIODE		
D704	MA8062/M/-X	Z DIODE		
D705	MA8062/M/-X	Z DIODE		
D706	MA8062/M/-X	Z DIODE		
D707	MA8062/M/-X	Z DIODE		
D708	MA8062/M/-X	Z DIODE		
D781	MA111-X	SI DIODE		
D782	MA111-X	SI DIODE		
D783	MA8091/M/-X	Z DIODE		
D901	1N5401-F64	DIODE		
D902	MA111-X	SI DIODE		
D971	RB160M-30-X	SB DIODE		
D972	RB160M-30-X	SB DIODE		
C2	NCB31EK-473X	C CAPACITOR	0.047uF 25V K	
C3	QEKJ1HM-474Z	E CAPACITOR	0.47uF 50V M	
C4	QEKJ1AM-227Z	E CAPACITOR	220uF 10V M	
C5	NDC31HJ-101X	C CAPACITOR	100pF 50V J	
C6	QEKJ1AM-107Z	E CAPACITOR	100uF 10V M	
C8	NCB31HK-102X	C CAPACITOR	1000pF 50V K	
C9	QEKJ1AM-227Z	E CAPACITOR	220uF 10V M	
C10	QEKJ1HM-105Z	E CAPACITOR	1uF 50V M	
C14	NCB31EK-103X	C CAPACITOR	0.01uF 25V K	

Symbol No.	Part No.	Part Name	Description	Local
C31	QEKJ1HM-225Z	E CAPACITOR	2.2uF 50V M	
C32	NCS31HJ-102X	C CAPACITOR	1000pF 50V J	
C41	NCB21EK-124X	C CAPACITOR	0.12uF 25V K	
C42	NCB31HK-333X	C CAPACITOR	0.033uF 50V K	
C43	QEKJ1CM-107Z	E CAPACITOR	100uF 16V M	
C51	QEKJ1HM-474Z	E CAPACITOR	0.47uF 50V M	
C52	NCB31EK-472X	C CAPACITOR	4700pF 25V K	
C53	NCB31EK-104X	C CAPACITOR	0.1uF 25V K	
C54	NCB31EK-103X	C CAPACITOR	0.01uF 25V K	
C55	NDC31HJ-331X	C CAPACITOR	330pF 50V J	
C71	NDC31HJ-820X	C CAPACITOR	82pF 50V J	
C72	NDC31HJ-470X	C CAPACITOR	47pF 50V J	
C73	NCB31HK-103X	C CAPACITOR	0.01uF 50V K	
C74	QEKJ0JM-476Z	E CAPACITOR	47uF 6.3V M	
C75	NDC31HJ-561X	C CAPACITOR	560pF 50V J	
C76	NCB31EK-223X	C CAPACITOR	0.022uF 25V K	
C77	QEKJ1HM-225Z	E CAPACITOR	2.2uF 50V M	
C78	NCB31EK-104X	C CAPACITOR	0.1uF 25V K	
C79	NCB31EK-103X	C CAPACITOR	0.01uF 25V K	
C81	NCB31HK-102X	C CAPACITOR	1000pF 50V K	
C82	NCB31EK-123X	C CAPACITOR	0.012uF 25V K	
C83	NCB31HK-222X	C CAPACITOR	2200pF 50V K	
C84	QEKJ1HM-105Z	E CAPACITOR	1uF 50V M	
C91	NCB31HK-102X	C CAPACITOR	1000pF 50V K	
C92	NCB31EK-123X	C CAPACITOR	0.012uF 25V K	
C93	NCB31HK-222X	C CAPACITOR	2200pF 50V K	
C94	QEKJ1HM-105Z	E CAPACITOR	1uF 50V M	
C162	NCB31HK-822X	C CAPACITOR	8200pF 50V K	
C163	NCB31CK-224X	C CAPACITOR	0.22uF 16V K	
C164	NCB31CK-224X	C CAPACITOR	0.22uF 16V K	
C165	NCB31CK-333X	C CAPACITOR	0.033uF 16V K	
C166	NCB31HK-562X	C CAPACITOR	5600pF 50V K	
C167	QEKJ1HM-475Z	E CAPACITOR	4.7uF 50V M	
C168	QEKJ1HM-475Z	E CAPACITOR	4.7uF 50V M	
C172	NCB31HK-822X	C CAPACITOR	8200pF 50V K	
C173	NCB31CK-224X	C CAPACITOR	0.22uF 16V K	
C174	NCB31CK-224X	C CAPACITOR	0.22uF 16V K	
C175	NCB31CK-333X	C CAPACITOR	0.033uF 16V K	
C176	NCB31HK-562X	C CAPACITOR	5600pF 50V K	
C177	QEKJ1HM-475Z	E CAPACITOR	4.7uF 50V M	
C178	QEKJ1HM-475Z	E CAPACITOR	4.7uF 50V M	
C182	QTE1H54-225Z	E CAPACITOR	2.2uF 50V	
C183	QTE1H54-225Z	E CAPACITOR	2.2uF 50V	
C185	QEKJ1HM-105Z	E CAPACITOR	1uF 50V M	
C186	QEKJ1HM-105Z	E CAPACITOR	1uF 50V M	
C191	QEKJ1CM-476Z	E CAPACITOR	47uF 16V M	
C192	QEKJ1AM-107Z	E CAPACITOR	100uF 10V M	
C193	QEKJ1CM-107Z	E CAPACITOR	100uF 16V M	
C194	NCB31CK-103X	C CAPACITOR	0.01uF 16V K	
C195	NCB31CK-224X	C CAPACITOR	0.22uF 16V K	
C196	NCB31EK-104X	C CAPACITOR	0.1uF 25V K	
C301	QEKJ1EM-475Z	E CAPACITOR	4.7uF 25V M	
C302	NCB31HK-223X	C CAPACITOR	0.022uF 50V K	
C303	QERF1CM-476Z	E CAPACITOR	47uF 16V M	
C304	QEKJ1CM-107Z	E CAPACITOR	100uF 16V M	
C305	QERF1CM-226Z	E CAPACITOR	22uF 16V M	
C306	NCB31HK-223X	C CAPACITOR	0.022uF 50V K	
C308	NCB31EK-104X	C CAPACITOR	0.1uF 25V K	
C309	NCB31EK-104X	C CAPACITOR	0.1uF 25V K	
C310	NCB31EK-104X	C CAPACITOR	0.1uF 25V K	
C311	NCB31EK-104X	C CAPACITOR	0.1uF 25V K	
C312	NDC31HJ-101X	C CAPACITOR	100pF 50V J	
C313	NDC31HJ-101X	C CAPACITOR	100pF 50V J	
C314	NDC31HJ-101X	C CAPACITOR	100pF 50V J	
C315	NDC31HJ-101X	C CAPACITOR	100pF 50V J	
C316	NDC31HJ-101X	C CAPACITOR	100pF 50V J	
C317	NDC31HJ-101X	C CAPACITOR	100pF 50V J	
C318	NDC31HJ-101X	C CAPACITOR	100pF 50V J	
C319	NDC31HJ-101X	C CAPACITOR	100pF 50V J	
C321	NDC31HJ-101X	C CAPACITOR	100pF 50V J	
C322	QFV91HJ-474Z	MF CAPACITOR	0.47uF 50V J	
C331	NDC31HJ-101X	C CAPACITOR	100pF 50V J	
C332	QFV91HJ-474Z	MF CAPACITOR	0.47uF 50V J	
C333	NCB31EK-473X	C CAPACITOR	0.047uF 25V K	
C341	NDC31HJ-101X	C CAPACITOR	100pF 50V J	
C342	QFV91HJ-474Z	MF CAPACITOR	0.47uF 50V J	
C351	NDC31HJ-101X	C CAPACITOR	100pF 50V J	

△ Symbol No.	Part No.	Part Name	Description	Local	△ Symbol No.	Part No.	Part Name	Description	Local
C352	QFV91HJ-474Z	MF CAPACITOR	0.47uF 50V J		C711	NCB31EK-104X	C CAPACITOR	0.1uF 25V K	
C501	NCB31HK-103X	C CAPACITOR	0.01uF 50V K		C712	NCB31EK-104X	C CAPACITOR	0.1uF 25V K	
C502	NCB31HK-103X	C CAPACITOR	0.01uF 50V K		C713	NCB31HK-103X	C CAPACITOR	0.01uF 50V K	
C503	QEKJ0JM-107Z	E CAPACITOR	100uF 6.3V M		C714	NCB31AK-334X	C CAPACITOR	0.33uF 10V K	
C504	NCB31HK-103X	C CAPACITOR	0.01uF 50V K		C717	NCB31EK-104X	C CAPACITOR	0.1uF 25V K	
C505	QEKJ0JM-107Z	E CAPACITOR	100uF 6.3V M		C718	NCB31EK-104X	C CAPACITOR	0.1uF 25V K	
C507	NCB31HK-682X	C CAPACITOR	6800pF 50V K		C781	QERF1AM-227Z	E CAPACITOR	220uF 10V M	
C508	NCB31HK-103X	C CAPACITOR	0.01uF 50V K		C782	QERF1CM-226Z	E CAPACITOR	22uF 16V M	
C509	QEKJ0JM-107Z	E CAPACITOR	100uF 6.3V M		C783	NCB31CK-224X	C CAPACITOR	0.22uF 16V K	
C510	NCB31EK-104X	C CAPACITOR	0.1uF 25V K		C784	QEKJ1EM-475Z	E CAPACITOR	4.7uF 25V M	
C511	NCB31EK-104X	C CAPACITOR	0.1uF 25V K		C901	QEZ0646-228	E CAPACITOR	2200uF	
C512	NDC31HJ-820X	C CAPACITOR	82pF 50V J		C902	QEKJ1HM-225Z	E CAPACITOR	2.2uF 50V M	
C513	NCB31HK-103X	C CAPACITOR	0.01uF 50V K		C903	QEKJ1CM-476Z	E CAPACITOR	47uF 16V M	
C514	NDC31HJ-5R0X	C CAPACITOR	5pF 50V J		C904	QEKJ1CM-106Z	E CAPACITOR	10uF 16V M	
C521	NCB31HK-103X	C CAPACITOR	0.01uF 50V K		C905	QEKJ1CM-476Z	E CAPACITOR	47uF 16V M	
C522	QEKJ0JM-107Z	E CAPACITOR	100uF 6.3V M		C906	NCB31EK-103X	C CAPACITOR	0.01uF 25V K	
C523	NDC31HJ-470X	C CAPACITOR	47pF 50V J		C907	QEKJ1AM-227Z	E CAPACITOR	220uF 10V M	
C524	NCB31HK-153X	C CAPACITOR	0.015uF 50V K		C908	QEKJ1AM-227Z	E CAPACITOR	220uF 10V M	
C525	NCB31HK-103X	C CAPACITOR	0.01uF 50V K		C909	QEKJ1AM-227Z	E CAPACITOR	220uF 10V M	
C526	NCB31HK-272X	C CAPACITOR	2700pF 50V K		C910	QEKJ1CM-106Z	E CAPACITOR	10uF 16V M	
C527	NCB31HK-103X	C CAPACITOR	0.01uF 50V K		C911	NCB31EK-104X	C CAPACITOR	0.1uF 25V K	
C528	NCB31EK-333X	C CAPACITOR	0.033uF 25V K		C912	NCB31HK-103X	C CAPACITOR	0.01uF 50V K	
C529	QEKJ0JM-107Z	E CAPACITOR	100uF 6.3V M		C913	QEKJ1CM-106Z	E CAPACITOR	10uF 16V M	
C530	NCB31EK-333X	C CAPACITOR	0.033uF 25V K		C914	QEKJ1CM-107Z	E CAPACITOR	100uF 16V M	
C531	NCB31EK-473X	C CAPACITOR	0.047uF 25V K		C915	NCB31EK-104X	C CAPACITOR	0.1uF 25V K	
C533	NDC31HJ-471X	C CAPACITOR	470pF 50V J		C918	NDC31HJ-101X	C CAPACITOR	100pF 50V J	
C534	NDC31HJ-471X	C CAPACITOR	470pF 50V J		C971	NCB31EK-104X	C CAPACITOR	0.1uF 25V K	
C535	NCB31EK-473X	C CAPACITOR	0.047uF 25V K		R1	NRSA63J-101X	MG RESISTOR	100Ω 1/16W J	
C536	NCB31EK-473X	C CAPACITOR	0.047uF 25V K		R2	NRSA63J-103X	MG RESISTOR	10kΩ 1/16W J	
C537	NCB31EK-473X	C CAPACITOR	0.047uF 25V K		R4	NRSA63J-472X	MG RESISTOR	4.7kΩ 1/16W J	
C538	NCB31EK-473X	C CAPACITOR	0.047uF 25V K		R5	NRSA63J-473X	MG RESISTOR	47kΩ 1/16W J	
C539	QEKJ0JM-107Z	E CAPACITOR	100uF 6.3V M		R6	NRSA63J-473X	MG RESISTOR	47kΩ 1/16W J	
C540	NCB31HK-103X	C CAPACITOR	0.01uF 50V K		R7	NRSA63J-472X	MG RESISTOR	4.7kΩ 1/16W J	
C541	NCB31HK-103X	C CAPACITOR	0.01uF 50V K		R8	NRSA63J-473X	MG RESISTOR	47kΩ 1/16W J	
C544	NCB31HK-103X	C CAPACITOR	0.01uF 50V K		R9	NRSA63J-332X	MG RESISTOR	3.3kΩ 1/16W J	
C545	QEKJ0JM-107Z	E CAPACITOR	100uF 6.3V M		R10	NRS181J-100X	MG RESISTOR	10Ω 1/8W J	
C546	NDC31HJ-101X	C CAPACITOR	100pF 50V J		R11	NRSA63J-103X	MG RESISTOR	10kΩ 1/16W J	
C547	NCB31EK-104X	C CAPACITOR	0.1uF 25V K		R31	NRSA63J-102X	MG RESISTOR	1kΩ 1/16W J	
C548	QEKJ0JM-107Z	E CAPACITOR	100uF 6.3V M		R32	NRSA63J-103X	MG RESISTOR	10kΩ 1/16W J	
C549	NCB31HK-103X	C CAPACITOR	0.01uF 50V K		R33	NRSA63J-152X	MG RESISTOR	1.5kΩ 1/16W J	
C550	QEKJ1HM-105Z	E CAPACITOR	1uF 50V M		R35	NRSA63J-102X	MG RESISTOR	1kΩ 1/16W J	
C551	QEKJ1AM-107Z	E CAPACITOR	100uF 10V M		R41	NRSA63J-332X	MG RESISTOR	3.3kΩ 1/16W J	
C552	NCB31HK-103X	C CAPACITOR	0.01uF 50V K		R42	NRSA63J-102X	MG RESISTOR	1kΩ 1/16W J	
C553	NDC31HJ-100X	C CAPACITOR	10pF 50V J		R43	NRSA63J-102X	MG RESISTOR	1kΩ 1/16W J	
C554	NDC31HJ-100X	C CAPACITOR	10pF 50V J		R44	NRSA02J-330X	MG RESISTOR	33Ω 1/10W J	
C555	QEKJ0JM-107Z	E CAPACITOR	100uF 6.3V M		R45	NRSA63J-102X	MG RESISTOR	1kΩ 1/16W J	
C556	NCB31EK-104X	C CAPACITOR	0.1uF 25V K		R51	NRSA63J-471X	MG RESISTOR	470Ω 1/16W J	
C559	NCB31HK-182X	C CAPACITOR	1800pF 50V K		R52	NRSA63J-153X	MG RESISTOR	15kΩ 1/16W J	
C560	NCB31EK-473X	C CAPACITOR	0.047uF 25V K		R53	NRSA63J-103X	MG RESISTOR	10kΩ 1/16W J	
C561	QEKJ0JM-476Z	E CAPACITOR	47uF 6.3V M		R54	NRSA63J-103X	MG RESISTOR	10kΩ 1/16W J	
C562	NCB31HK-103X	C CAPACITOR	0.01uF 50V K		R55	NRSA63J-222X	MG RESISTOR	2.2kΩ 1/16W J	
C563	QEDJ1AM-107Z	E CAPACITOR	100uF 10V M		R56	NRSA63J-473X	MG RESISTOR	47kΩ 1/16W J	
C564	NCB31EK-473X	C CAPACITOR	0.047uF 25V K		R57	NRSA63J-473X	MG RESISTOR	47kΩ 1/16W J	
C565	NCB31EK-473X	C CAPACITOR	0.047uF 25V K		R58	NRSA63J-473X	MG RESISTOR	47kΩ 1/16W J	
C566	NCB31EK-473X	C CAPACITOR	0.047uF 25V K		R59	NRSA63J-223X	MG RESISTOR	22kΩ 1/16W J	
C567	NCB31EK-473X	C CAPACITOR	0.047uF 25V K		R71	NRSA63J-222X	MG RESISTOR	2.2kΩ 1/16W J	
C568	NCB31EK-223X	C CAPACITOR	0.022uF 25V K		R72	NRSA63J-222X	MG RESISTOR	2.2kΩ 1/16W J	
C581	NCS31HJ-821X	C CAPACITOR	820pF 50V J		R73	NRSA63J-222X	MG RESISTOR	2.2kΩ 1/16W J	
C582	QEKJ1EM-475Z	E CAPACITOR	4.7uF 25V M		R74	NRSA63J-0R0X	MG RESISTOR	0Ω 1/16W J	
C583	NDC31HJ-121X	C CAPACITOR	120pF 50V J		R75	NRSA63J-472X	MG RESISTOR	4.7kΩ 1/16W J	
C584	NCS31HJ-821X	C CAPACITOR	820pF 50V J		R76	NRSA63J-472X	MG RESISTOR	4.7kΩ 1/16W J	
C585	QEKJ0JM-476Z	E CAPACITOR	47uF 6.3V M		R77	NRSA02J-101X	MG RESISTOR	100Ω 1/10W J	
C591	NCS31HJ-821X	C CAPACITOR	820pF 50V J		R81	NRSA63J-103X	MG RESISTOR	10kΩ 1/16W J	
C592	QEKJ1EM-475Z	E CAPACITOR	4.7uF 25V M		R82	NRSA63J-183X	MG RESISTOR	18kΩ 1/16W J	
C593	NDC31HJ-121X	C CAPACITOR	120pF 50V J		R91	NRSA63J-103X	MG RESISTOR	10kΩ 1/16W J	
C594	NCS31HJ-821X	C CAPACITOR	820pF 50V J		R92	NRSA63J-183X	MG RESISTOR	18kΩ 1/16W J	
C595	QEKJ0JM-476Z	E CAPACITOR	47uF 6.3V M		R162	NRSA63J-223X	MG RESISTOR	22kΩ 1/16W J	
C596	QEKJ1CM-107Z	E CAPACITOR	100uF 16V M		R163	NRSA63J-222X	MG RESISTOR	2.2kΩ 1/16W J	
C597	NCS31HJ-102X	C CAPACITOR	1000pF 50V J		R164	NRSA63J-271X	MG RESISTOR	270Ω 1/16W J	
C703	NCB31HK-103X	C CAPACITOR	0.01uF 50V K		R165	NRSA63J-473X	MG RESISTOR	47kΩ 1/16W J	
C704	NBE40JM-476X	TA E CAPACITOR	47uF 6.3V M		R166	NRSA63J-473X	MG RESISTOR	47kΩ 1/16W J	
C705	NCB31EK-104X	C CAPACITOR	0.1uF 25V K		R167	NRSA63J-273X	MG RESISTOR	27kΩ 1/16W J	
C706	NCB31EK-104X	C CAPACITOR	0.1uF 25V K		R168	NRSA63J-273X	MG RESISTOR	27kΩ 1/16W J	
C707	NDC31HJ-270X	C CAPACITOR	27pF 50V J		R172	NRSA63J-223X	MG RESISTOR	22kΩ 1/16W J	
C708	NDC31HJ-220X	C CAPACITOR	22pF 50V J		R173	NRSA63J-222X	MG RESISTOR	2.2kΩ 1/16W J	
C709	QEKJ1AM-107Z	E CAPACITOR	100uF 10V M		R174	NRSA63J-271X	MG RESISTOR	270Ω 1/16W J	
C710	NCB31EK-103X	C CAPACITOR	0.01uF 25V K						

△ Symbol No.	Part No.	Part Name	Description	Local	△ Symbol No.	Part No.	Part Name	Description	Local
R175	NRSA63J-473X	MG RESISTOR	47kΩ 1/16W J		R706	NRSA63J-222X	MG RESISTOR	2.2kΩ 1/16W J	
R176	NRSA63J-473X	MG RESISTOR	47kΩ 1/16W J		R708	NRSA63J-222X	MG RESISTOR	2.2kΩ 1/16W J	
R177	NRSA63J-273X	MG RESISTOR	27kΩ 1/16W J		R709	NRSA63J-473X	MG RESISTOR	47kΩ 1/16W J	
R178	NRSA63J-273X	MG RESISTOR	27kΩ 1/16W J		R710	NRSA63J-473X	MG RESISTOR	47kΩ 1/16W J	
R191	NRS181J-100X	MG RESISTOR	10Ω 1/8W J		R713	NRSA63J-103X	MG RESISTOR	10kΩ 1/16W J	
R301	NRSA63J-472X	MG RESISTOR	4.7kΩ 1/16W J		R714	NRSA63J-103X	MG RESISTOR	10kΩ 1/16W J	
R341	NRSA02J-821X	MG RESISTOR	820Ω 1/10W J		R715	NRSA63J-103X	MG RESISTOR	10kΩ 1/16W J	
R342	NRSA02J-101X	MG RESISTOR	100Ω 1/10W J		R717	NRSA63J-103X	MG RESISTOR	10kΩ 1/16W J	
R343	NRSA63J-222X	MG RESISTOR	2.2kΩ 1/16W J		R718	NRSA63J-103X	MG RESISTOR	10kΩ 1/16W J	
R351	NRSA02J-821X	MG RESISTOR	820Ω 1/10W J		R719	NRSA63J-472X	MG RESISTOR	4.7kΩ 1/16W J	
R352	NRSA02J-101X	MG RESISTOR	100Ω 1/10W J		R720	NRSA63J-472X	MG RESISTOR	4.7kΩ 1/16W J	
R353	NRSA63J-222X	MG RESISTOR	2.2kΩ 1/16W J		R721	NRSA63J-472X	MG RESISTOR	4.7kΩ 1/16W J	
R503	NRSA63J-823X	MG RESISTOR	82kΩ 1/16W J		R722	NRSA63J-473X	MG RESISTOR	47kΩ 1/16W J	
R504	NRSA63J-823X	MG RESISTOR	82kΩ 1/16W J		R723	NRSA63J-473X	MG RESISTOR	47kΩ 1/16W J	
R505	NRSA63J-334X	MG RESISTOR	330kΩ 1/16W J		R724	NRSA63J-0R0X	MG RESISTOR	0Ω 1/16W J	
R506	NRSA63J-334X	MG RESISTOR	330kΩ 1/16W J		R725	NRSA63J-473X	MG RESISTOR	47kΩ 1/16W J	
R507	NRSA02J-220X	MG RESISTOR	22Ω 1/10W J		R726	NRSA63J-473X	MG RESISTOR	47kΩ 1/16W J	
R508	NRSA02J-220X	MG RESISTOR	22Ω 1/10W J		R727	NRSA63J-103X	MG RESISTOR	10kΩ 1/16W J	
R509	NRSA63J-823X	MG RESISTOR	82kΩ 1/16W J		R728	NRSA63J-473X	MG RESISTOR	47kΩ 1/16W J	
R510	NRSA63J-563X	MG RESISTOR	56kΩ 1/16W J		R729	NRSA63J-473X	MG RESISTOR	47kΩ 1/16W J	
R511	NRSA63J-103X	MG RESISTOR	10kΩ 1/16W J		R730	NRSA63J-104X	MG RESISTOR	100kΩ 1/16W J	
R512	NRSA63J-202X	MG RESISTOR	2kΩ 1/16W J		R731	NRSA63J-473X	MG RESISTOR	47kΩ 1/16W J	
R513	NRSA63J-102X	MG RESISTOR	1kΩ 1/16W J		R732	NRSA63J-473X	MG RESISTOR	47kΩ 1/16W J	
R514	NRSA63J-153X	MG RESISTOR	15kΩ 1/16W J		R734	NRSA63J-472X	MG RESISTOR	4.7kΩ 1/16W J	
R515	NRSA63J-101X	MG RESISTOR	100Ω 1/16W J		R735	NRSA63J-102X	MG RESISTOR	1kΩ 1/16W J	
R516	NRSA63J-821X	MG RESISTOR	820Ω 1/16W J		R736	NRSA63J-122X	MG RESISTOR	1.2kΩ 1/16W J	
R517	NRSA63J-0R0X	MG RESISTOR	0Ω 1/16W J		R738	NRSA63J-0R0X	MG RESISTOR	0Ω 1/16W J	
R519	NRSA02J-151X	MG RESISTOR	150Ω 1/10W J		R739	NRSA63J-0R0X	MG RESISTOR	0Ω 1/16W J	
R521	NRSA63J-562X	MG RESISTOR	5.6kΩ 1/16W J		R740	NRSA63J-104X	MG RESISTOR	100kΩ 1/16W J	
R522	NRSA63J-473X	MG RESISTOR	47kΩ 1/16W J		R741	NRSA63J-103X	MG RESISTOR	10kΩ 1/16W J	
R523	NRSA63J-474X	MG RESISTOR	470kΩ 1/16W J		R742	NRSA63J-473X	MG RESISTOR	47kΩ 1/16W J	
R524	NRSA63J-153X	MG RESISTOR	15kΩ 1/16W J		R743	NRSA63J-473X	MG RESISTOR	47kΩ 1/16W J	
R525	NRSA63J-103X	MG RESISTOR	10kΩ 1/16W J		R744	NRSA63J-103X	MG RESISTOR	10kΩ 1/16W J	
R526	NRSA63J-0R0X	MG RESISTOR	0Ω 1/16W J		R752	NRSA63J-103X	MG RESISTOR	10kΩ 1/16W J	
R527	NRSA63J-101X	MG RESISTOR	100Ω 1/16W J		R753	NRSA63J-473X	MG RESISTOR	47kΩ 1/16W J	
R528	NRSA63J-101X	MG RESISTOR	100Ω 1/16W J		R754	NRSA63J-0R0X	MG RESISTOR	0Ω 1/16W J	
R529	NRSA63J-0R0X	MG RESISTOR	0Ω 1/16W J		R755	NRSA63J-0R0X	MG RESISTOR	0Ω 1/16W J	
R530	NRSA63J-0R0X	MG RESISTOR	0Ω 1/16W J		R782	NRSA63J-102X	MG RESISTOR	1kΩ 1/16W J	
R531	NRSA63J-101X	MG RESISTOR	100Ω 1/16W J		R882	NRSA63J-473X	MG RESISTOR	47kΩ 1/16W J	
R532	NRSA63J-101X	MG RESISTOR	100Ω 1/16W J		R901	QRE142J-102X	C RESISTOR	1kΩ 1/4W J	
R533	NRSA63J-105X	MG RESISTOR	1MΩ 1/16W J		R902	NRSA02J-912X	MG RESISTOR	9.1kΩ 1/10W J	
R534	NRSA63J-472X	MG RESISTOR	4.7kΩ 1/16W J		R903	NRSA02J-472X	MG RESISTOR	4.7kΩ 1/10W J	
R535	NRSA63J-472X	MG RESISTOR	4.7kΩ 1/16W J		R905	NRSA02J-822X	MG RESISTOR	8.2kΩ 1/10W J	
R536	NRSA63J-472X	MG RESISTOR	4.7kΩ 1/16W J		R906	NRSA63J-203X	MG RESISTOR	20kΩ 1/16W J	
R537	NRSA63J-472X	MG RESISTOR	4.7kΩ 1/16W J		R971	NRS181J-222X	MG RESISTOR	2.2kΩ 1/8W J	
R538	NRSA63J-103X	MG RESISTOR	10kΩ 1/16W J		R972	NRS181J-222X	MG RESISTOR	2.2kΩ 1/8W J	
R539	NRSA63J-155X	MG RESISTOR	1.5MΩ 1/16W J						
R561	NRSA63J-333X	MG RESISTOR	33kΩ 1/16W J		L1	QQL244J-4R7Z	COIL	4.7uH J	
R562	NRSA63J-822X	MG RESISTOR	8.2kΩ 1/16W J		L521	QQL244J-470Z	COIL	47uH J	
R563	NRSA63J-472X	MG RESISTOR	4.7kΩ 1/16W J		L522	QQL244J-470Z	COIL	47uH J	
R564	NRSA63J-153X	MG RESISTOR	15kΩ 1/16W J		L523	QQL244J-470Z	COIL	47uH J	
R566	NRSA02J-822X	MG RESISTOR	8.2kΩ 1/10W J		L524	QQL244J-470Z	COIL	47uH J	
R567	NRSA63J-682X	MG RESISTOR	6.8kΩ 1/16W J		L701	QQL244K-4R7Z	COIL	4.7uH K	
R568	NRSA63J-302X	MG RESISTOR	3kΩ 1/16W J		L702	QQL244K-4R7Z	COIL	4.7uH K	
R569	NRSA63J-472X	MG RESISTOR	4.7kΩ 1/16W J		L703	QQL244K-4R7Z	COIL	4.7uH K	
R571	NRSA63J-152X	MG RESISTOR	1.5kΩ 1/16W J		L901	QQR0703-001	CHOKE COIL		
R572	NRSA63J-152X	MG RESISTOR	1.5kΩ 1/16W J						
R573	NRSA63J-152X	MG RESISTOR	1.5kΩ 1/16W J		CN501	QGB2027M4-22S	CONNECTOR	B-B (1-22)	
R574	NRS181J-220X	MG RESISTOR	22Ω 1/8W J		CN701	QGZ1601J1-15	CONNECTOR	(1-15)	
R575	NRS181J-220X	MG RESISTOR	22Ω 1/8W J		CN901	QNZ0650-001	CAR CONNECTOR		
R576	NRSA02J-512X	MG RESISTOR	5.1kΩ 1/10W J		J1	QNB0100-002	CAR ANT JACK		
R577	NRSA02J-822X	MG RESISTOR	8.2kΩ 1/10W J		J301	QNN0519-001	PIN JACK		
R581	NRSA63J-183X	MG RESISTOR	18kΩ 1/16W J		TU1	QAU0222-001	TUNER PACK		
R582	NRSA63J-333X	MG RESISTOR	33kΩ 1/16W J		X71	QAX0263-001Z	CRYSTAL	4.332MHz	
R583	NRSA63J-512X	MG RESISTOR	5.1kΩ 1/16W J		X521	QAX0413-001Z	CRYSTAL	16.9344MHz	
R584	NRSA63J-151X	MG RESISTOR	150Ω 1/16W J		X701	QAX0406-001Z	CRYSTAL	4.500MHz	
R585	NRSA63J-0R0X	MG RESISTOR	0Ω 1/16W J						
R586	NRSA63J-223X	MG RESISTOR	22kΩ 1/16W J						
R587	NRSA63J-223X	MG RESISTOR	22kΩ 1/16W J						
R591	NRSA63J-183X	MG RESISTOR	18kΩ 1/16W J						
R592	NRSA63J-333X	MG RESISTOR	33kΩ 1/16W J						
R593	NRSA63J-512X	MG RESISTOR	5.1kΩ 1/16W J						
R594	NRSA63J-151X	MG RESISTOR	150Ω 1/16W J						
R595	NRSA63J-0R0X	MG RESISTOR	0Ω 1/16W J						
R596	NRSA63J-223X	MG RESISTOR	22kΩ 1/16W J						
R597	NRSA63J-223X	MG RESISTOR	22kΩ 1/16W J						
R705	NRSA63J-222X	MG RESISTOR	2.2kΩ 1/16W J						

# Switch board

(KD-G152/G151\_E2.EX2.EY2.EU2)

Block No. [0][8]

Symbol No.	Part No.	Part Name	Description	Local	Symbol No.	Part No.	Part Name	Description	Local
IC601	PT6523LQ-L	LCD DRIVER							
D601	SML-310VT/JK/-X	LED			R629	NRSA63J-911X	MG RESISTOR	910Ω 1/16W J	G151 E2,G1 51EU 2,G15 1EX2, G151 EY2 G152 E2,G1 52EU
D602	SML-310VT/JK/-X	LED			R629	NRSA63J-821X	MG RESISTOR	820Ω 1/16W J	2,G15 2EX2, G152 EY2 G151 E2,G1 51EU
D603	SML-310VT/JK/-X	LED			R630	NRSA63J-132X	MG RESISTOR	1.3kΩ 1/16W J	2,G15 1EX2, G151 EY2 G152 E2,G1 52EU
D604	SML-310VT/JK/-X	LED		G151 E2,G1 51EU 2,G15 1EX2, G151 EY2 G152 E2,G1 52EU	R630	NRSA63J-122X	MG RESISTOR	1.2kΩ 1/16W J	2,G15 2EX2, G152 EY2 G151 E2,G1 51EU
D604	SML-310LT/MN/-X	LED		2,G15 2EX2, G152 EY2	R631	NRSA63J-132X	MG RESISTOR	1.3kΩ 1/16W J	2,G15 1EX2, G151 EY2
D605	SML-310VT/JK/-X	LED			R632	NRSA63J-331X	MG RESISTOR	330Ω 1/16W J	
D606	SML-310VT/JK/-X	LED			R634	NRSA63J-821X	MG RESISTOR	820Ω 1/16W J	
D607	SML-310VT/JK/-X	LED			R636	NRSA63J-331X	MG RESISTOR	330Ω 1/16W J	
D608	SML-310LT/MN/-X	LED			R638	NRSA63J-511X	MG RESISTOR	510Ω 1/16W J	
D609	SML-310LT/MN/-X	LED			R640	NRSA63J-331X	MG RESISTOR	330Ω 1/16W J	
D610	SML-310VT/JK/-X	LED							
D611	SML-310VT/JK/-X	LED							
D612	SML-310VT/JK/-X	LED							
D613	SML-310VT/JK/-X	LED							
D614	SML-310VT/JK/-X	LED							
D615	SML-310VT/JK/-X	LED							
D616	SML-310VT/JK/-X	LED							
D617	SML-310VT/JK/-X	LED		G151 E2,G1 51EU 2,G15 1EX2, G151 EY2 G152 E2,G1 52EU	R642	NRSA63J-132X	MG RESISTOR	1.3kΩ 1/16W J	G151 E2,G1 51EU 2,G15 1EX2, G151 EY2 G152 E2,G1 52EU
D617	SML-310LT/MN/-X	LED		2,G15 2EX2, G152 EY2	R642	NRSA63J-122X	MG RESISTOR	1.2kΩ 1/16W J	2,G15 2EX2, G152 EY2 G151 E2,G1 51EU
D618	SML-310LT/MN/-X	LED			R643	NRSA63J-132X	MG RESISTOR	1.3kΩ 1/16W J	2,G15 1EX2, G151 EY2
D631	NSPW310BS/BRS/	LED							
D632	NSPW310BS/BRS/	LED							
D641	MA8051/M/-X	Z DIODE							
D643	MA111-X	SI DIODE							
C601	NCB31HK-223X	C CAPACITOR	0.022uF 50V K						
C602	NCS31HJ-681X	C CAPACITOR	680pF 50V J		R644	NRSA63J-331X	MG RESISTOR	330Ω 1/16W J	
C603	NBE20JM-106X	TA E CAPACITOR	10uF 6.3V M		R651	NRSA63J-222X	MG RESISTOR	2.2kΩ 1/16W J	
R601	NRSA63J-821X	MG RESISTOR	820Ω 1/16W J		R652	NRSA63J-222X	MG RESISTOR	2.2kΩ 1/16W J	
R602	NRSA63J-821X	MG RESISTOR	820Ω 1/16W J		R653	NRSA63J-103X	MG RESISTOR	10kΩ 1/16W J	
R603	NRSA63J-122X	MG RESISTOR	1.2kΩ 1/16W J		R654	NRSA63J-103X	MG RESISTOR	10kΩ 1/16W J	
R604	NRSA63J-182X	MG RESISTOR	1.8kΩ 1/16W J		R655	NRSA63J-103X	MG RESISTOR	10kΩ 1/16W J	
R605	NRSA63J-821X	MG RESISTOR	820Ω 1/16W J		R656	NRSA63J-103X	MG RESISTOR	10kΩ 1/16W J	
R606	NRSA63J-821X	MG RESISTOR	820Ω 1/16W J		R657	NRSA63J-513X	MG RESISTOR	51kΩ 1/16W J	
R607	NRSA63J-122X	MG RESISTOR	1.2kΩ 1/16W J		R658	NRSA63J-184X	MG RESISTOR	180kΩ 1/16W J	
R608	NRSA63J-182X	MG RESISTOR	1.8kΩ 1/16W J		R671	NRSA02J-0R0X	MG RESISTOR	0Ω 1/10W J	
R609	NRSA63J-272X	MG RESISTOR	2.7kΩ 1/16W J						
R610	NRSA63J-392X	MG RESISTOR	3.9kΩ 1/16W J		CJ601	QGZ1601K1-15S	CONNECTOR	(1-15)	
R611	NRSA63J-821X	MG RESISTOR	820Ω 1/16W J		S601	NSW0124-001X	TACT SW		
R612	NRSA63J-821X	MG RESISTOR	820Ω 1/16W J		S602	NSW0124-001X	TACT SW		
R613	NRSA63J-122X	MG RESISTOR	1.2kΩ 1/16W J		S603	NSW0124-001X	TACT SW		
R614	NRSA63J-182X	MG RESISTOR	1.8kΩ 1/16W J		S604	NSW0124-001X	TACT SW		
R615	NRSA63J-272X	MG RESISTOR	2.7kΩ 1/16W J		S605	NSW0124-001X	TACT SW		
R627	NRSA02J-391X	MG RESISTOR	390Ω 1/10W J		S606	NSW0124-001X	TACT SW		
R628	NRSA02J-391X	MG RESISTOR	390Ω 1/10W J		S607	NSW0124-001X	TACT SW		
					S608	NSW0124-001X	TACT SW		
					S609	NSW0124-001X	TACT SW		
					S610	NSW0124-001X	TACT SW		

Symbol No.	Part No.	Part Name	Description	Local
S611	NSW0124-001X	TACT SW		
S612	NSW0124-001X	TACT SW		
S613	NSW0124-001X	TACT SW		
S614	NSW0124-001X	TACT SW		
S615	NSW0124-001X	TACT SW		
S616	NSW0124-001X	TACT SW		
S617	NSW0124-001X	TACT SW		
S618	NSW0124-001X	TACT SW		

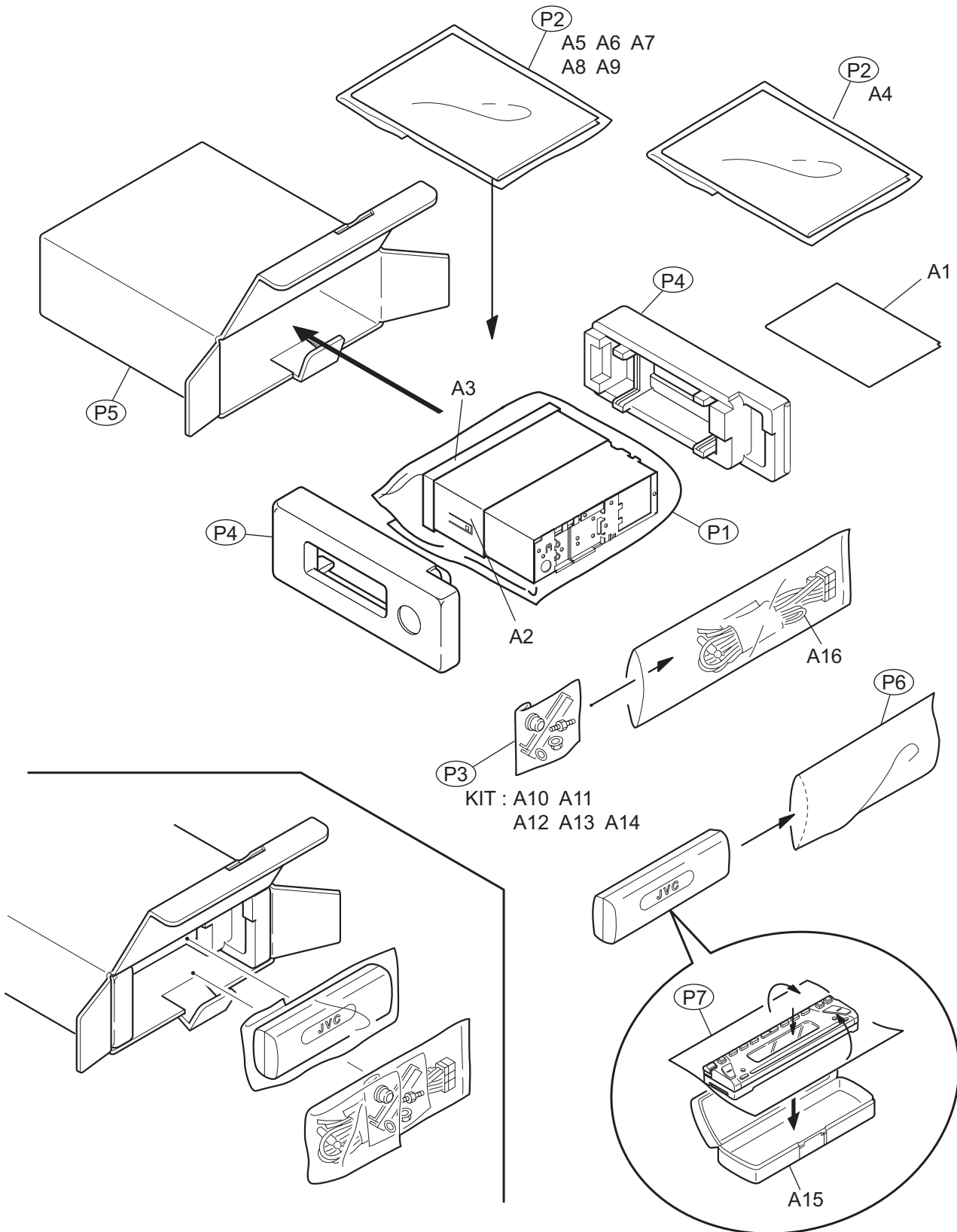


**<MEMO>**

# Packing materials and accessories parts list

Block No. **M 3 M M**

No additional / supplemental order of WARRANTY CARDS are available.



# Packing and Accessories

Block No. [M][3][M][M]

△	Symbol No.	Part No.	Part Name	Description	Local
A 1		VND3050-002	IDENTITY CARD		G151E,G151E2,G151EX,G151EX2,G151EY, G151EY2,G152E,G152E2,G152EX,G152EX2, G152EY,G152EY2,S1501E,S1501E2, S1501EX,S1501EX2,S1501EY,S1501EY2
A 2		GE20137-005A-N	MOUNTING SLEEVE		G151EU,G151EX,G151EY G151E,G151E2,G151EU2,G151EX2, G151EY2,G152E,G152E2,G152EU,G152EU2, G152EX,G152EX2,G152EY,G152EY2, S1501E,S1501E2,S1501EU,S1501EU2, S1501EX,S1501EX2,S1501EY,S1501EY2
A 2		GE20137-003A	MOUNTING SLEEVE		G151E,G151E2,G151EU,G151EU2,G151EX, G151EX2,G151EY,G151EY2 G152E,G152E2,G152EU,G152EU2,G152EX, G152EX2,G152EY,G152EY2 S1501E,S1501E2,S1501EU,S1501EU2, S1501EX,S1501EX2,S1501EY,S1501EY2
A 3		GE20135-003A	TRIM PLATE		G151E,G151E2,G151EU,G151EU2,G151EX, G151EX2,G151EY,G151EY2 G152E,G152E2,G152EU,G152EU2,G152EX, G152EX2,G152EY,G152EY2 S1501E,S1501E2,S1501EU,S1501EU2, S1501EX,S1501EX2,S1501EY,S1501EY2
A 3		GE20135-009A	TRIM PLATE		G151E,G151E2,G151EU,G151EU2,G151EX, G151EX2,G151EY,G151EY2 G152E,G152E2,G152EU,G152EU2,G152EX, G152EX2,G152EY,G152EY2 S1501E,S1501E2,S1501EU,S1501EU2, S1501EX,S1501EX2,S1501EY,S1501EY2
A 3		GE20135-001A	TRIM PLATE		G151E,G151E2,G151EU,G151EU2,G151EX, G151EX2,G151EY,G151EY2 G152E,G152E2,G152EU,G152EU2,G152EX, G152EX2,G152EY,G152EY2 S1501E,S1501E2,S1501EU,S1501EU2, S1501EX,S1501EX2,S1501EY,S1501EY2
A 4		GET0287-001A	INST BOOK	GER FRE ITA	G151E,G151E2,G151EX,G151EX2,G151EY, G151EY2,G152E,G152E2,G152EX,G152EX2, G152EY,G152EY2,S1501E,S1501E2, S1501EX,S1501EX2,S1501EY,S1501EY2
A 4		GET0287-003A	INST BOOK	ENG FRE	G151EU,G151EU2,G151EX,G151EX2, G151EY,G151EY2,G152E,G152E2,G152EX, G152EX2,S1501E,S1501E2,S1501EX, S1501EX2,S1501EY,S1501EY2
A 4		GET0287-006A	INST BOOK	ENG GER RUS	G151EY,G151EY2,G152EY,G152EY2, S1501EY,S1501EY2 G151E,G151E2,G151EX,G151EX2,G151EY, G151EY2,G152E,G152E2,G152EX,G152EX2, G152EY,G152EY2,S1501E,S1501E2, S1501EX,S1501EX2,S1501EY,S1501EY2
A 5		GET0287-002A	INST BOOK	SPA GRE POR	G151E,G151E2,G151EX,G151EX2,G151EY, G151EY2,G152E,G152E2,G152EX,G152EX2, G152EY,G152EY2,S1501E,S1501E2, S1501EX,S1501EX2,S1501EY,S1501EY2
A 5		GET0287-005A	INST BOOK	SPA TUR PER	G151EU,G151EU2,G152EU,G152EU2, S1501EU,S1501EU2 G151E,G151E2,G151EX,G151EX2,G151EY, G151EY2,G152E,G152E2,G152EX,G152EX2, G152EY,G152EY2,S1501E,S1501E2, S1501EX,S1501EX2,S1501EY,S1501EY2
A 5		GET0287-004A	INST BOOK	DUT SWE DAN FIN	G151EY,G151EY2,G152EY,G152EY2, S1501EY,S1501EY2 G151E,G151E2,G151EX,G151EX2,G151EY, G151EY2,G152E,G152E2,G152EX,G152EX2, G152EY,G152EY2,S1501E,S1501E2, S1501EX,S1501EX2,S1501EY,S1501EY2
A 5		GET0287-007A	INST BOOK	POL CZE HUN	G151EY,G151EY2,G152EY,G152EY2, S1501EY,S1501EY2 G151E,G151E2,G151EX,G151EX2,G151EY, G151EY2,G152E,G152E2,G152EX,G152EX2, G152EY,G152EY2,S1501E,S1501E2, S1501EX,S1501EX2,S1501EY,S1501EY2
A 6		GET0287-008A	INSTALL MANUAL		G151E,G151E2,G151EX,G151EX2,G151EY, G151EY2,G152E,G152E2,G152EX,G152EX2, G152EY,G152EY2,S1501E,S1501E2, S1501EX,S1501EX2,S1501EY,S1501EY2
A 6		GET0287-010A	INSTALL MANUAL		G151EU,G151EU2,G151EX,G151EX2, G151EY,G151EY2,G152E,G152E2,G152EX, G152EX2,S1501E,S1501E2,S1501EX, S1501EX2,S1501EY,S1501EY2
A 6		GET0287-013A	INSTALL MANUAL		G151EY,G151EY2,G152EY,G152EY2, S1501EY,S1501EY2 G151E,G151E2,G151EX,G151EX2,G151EY, G151EY2,G152E,G152E2,G152EX,G152EX2, G152EY,G152EY2,S1501E,S1501E2, S1501EX,S1501EX2,S1501EY,S1501EY2
A 7		GET0287-009A	INSTALL MANUAL		G151E,G151E2,G151EX,G151EX2,G151EY, G151EY2,G152E,G152E2,G152EX,G152EX2, G152EY,G152EY2,S1501E,S1501E2, S1501EX,S1501EX2,S1501EY,S1501EY2
A 7		GET0287-012A	INSTALL MANUAL		G151EU,G151EU2,G152EU,G152EU2, S1501EU,S1501EU2 G151E,G151E2,G151EX,G151EX2,G151EY, G151EY2,G152E,G152E2,G152EX,G152EX2, G152EY,G152EY2,S1501E,S1501E2, S1501EX,S1501EX2,S1501EY,S1501EY2
A 7		GET0287-011A	INSTALL MANUAL		G151EX,G151EX2,G152EX,G152EX2, S1501EX,S1501EX2 G151EY,G151EY2,G152EY,G152EY2, S1501EY,S1501EY2 G151E,G151E2,G151EX,G151EX2,G151EY, G151EY2,G152E,G152E2,G152EX,G152EX2, G152EY,G152EY2,S1501E,S1501E2, S1501EX,S1501EX2,S1501EY,S1501EY2
A 7		GET0287-014A	INSTALL MANUAL		G151EY,G151EY2,G152EY,G152EY2, S1501EY,S1501EY2 G151E,G151E2,G151EX,G151EX2,G151EY, G151EY2,G152E,G152E2,G152EX,G152EX2, G152EY,G152EY2,S1501E,S1501E2, S1501EX,S1501EX2,S1501EY,S1501EY2
A 8		-----	WARRANTY CARD	BT-54023-1	G151E,G151E2,G151EX,G151EX2,G151EY, G151EY2,G152E,G152E2,G152EX,G152EX2, G152EY,G152EY2,S1501E,S1501E2, S1501EX,S1501EX2,S1501EY,S1501EY2
A 9		VND3046-001	SERIAL TICKET		G151E,G151E2,G151EX,G151EX2,G151EY, G151EY2,G152E,G152E2,G152EX,G152EX2, G152EY,G152EY2,S1501E,S1501E2, S1501EX,S1501EX2,S1501EY,S1501EY2
A 10		VKZ4027-202	PLUG NUT		G151E,G151E2,G151EX,G151EX2,G151EY, G151EY2,G152E,G152E2,G152EX,G152EX2, G152EY,G152EY2,S1501E,S1501E2, S1501EX,S1501EX2,S1501EY,S1501EY2
A 11		VKH4871-003	MOUNT BOLT		G151E,G151E2,G151EX,G151EX2,G151EY, G151EY2,G152E,G152E2,G152EX,G152EX2, G152EY,G152EY2,S1501E,S1501E2, S1501EX,S1501EX2,S1501EY,S1501EY2
A 12		VKZ4328-003	LOCK NUT		G151E,G151E2,G151EX,G151EX2,G151EY, G151EY2,G152E,G152E2,G152EX,G152EX2, G152EY,G152EY2,S1501E,S1501E2, S1501EX,S1501EX2,S1501EY,S1501EY2
A 13		QYWWS53A008ZA	WASHER	0mm/5.3mm x	
A 14		GE40130-002A	HOOK	(x2)	
A 15		FSJB3002-00C	HARD CASE		
A 16		QAM0157-002	POWER CORD		G151E,G151E2,G151EU,G151EU2,G151EX, G151EX2,G151EY,G151EY2,G152E,G152E2, G152EX,G152EX2,G152EY,G152EY2
A 16		QAM0175-002	POWER CORD		S1501E,S1501E2,S1501EU,S1501EU2, S1501EX,S1501EX2,S1501EY,S1501EY2
KIT		SRW-385U	SCREW PART KIT	A10 A11 A12 A13 A14	
P 1		QPC03004315P	POLY BAG	30cm x 43cm	
P 2		FSPG4002-001	POLY BAG	(x2)	
P 3		QPA00801205	POLY BAG	8cm x 12cm	
P 4		GE10070-003A	EPS CUSHION		
P 5		GE31402-002A	CARTON		G151E,G151E2,G151EU,G151EU2,G151EX, G151EX2,G151EY,G151EY2 G152E,G152E2,G152EU,G152EU2,G152EX, G152EX2,G152EY,G152EY2 S1501E,S1501E2,S1501EU,S1501EU2,S1501 EX,S1501EX2,S1501EY,S1501EY2
P 5		GE31432-003A	CARTON		G151E,G151E2,G151EU,G151EU2,G151EX, G151EX2,G151EY,G151EY2 G152E,G152E2,G152EU,G152EU2,G152EX, G152EX2,G152EY,G152EY2 S1501E,S1501E2,S1501EU,S1501EU2,S1501 EX,S1501EX2,S1501EY,S1501EY2
P 5		GE31405-001A	CARTON		G151E,G151E2,G151EU,G151EU2,G151EX, G151EX2,G151EY,G151EY2 G152E,G152E2,G152EU,G152EU2,G152EX, G152EX2,G152EY,G152EY2 S1501E,S1501E2,S1501EU,S1501EU2,S1501 EX,S1501EX2,S1501EY,S1501EY2
P 6		QPA01003003	POLY BAG	10cm x 30cm	
P 7		FSYH4036-068	SHEET		