

3-WAY 3-SPEAKER
SYSTEM

MODEL **VS-5323**

JVC

**INSTRUCTION
BOOK**



OPERATION

1. Speaker Hook-Up (see Fig. 1)

- 1) Connect the positive terminal (+) of your amplifier to the positive terminal (red) of this speaker system.
- 2) Connect the negative terminal (-) of the amplifier to the negative terminal (black) of the speaker system.

Caution:

If amplifier has outputs with more than one impedance, be sure to use the 8-ohms output terminals as the impedance of this speaker system is 8-ohms. Special care should be taken not to bring the positive and negative wires into contact with each other, otherwise the power transistors of your amplifier may be damaged.

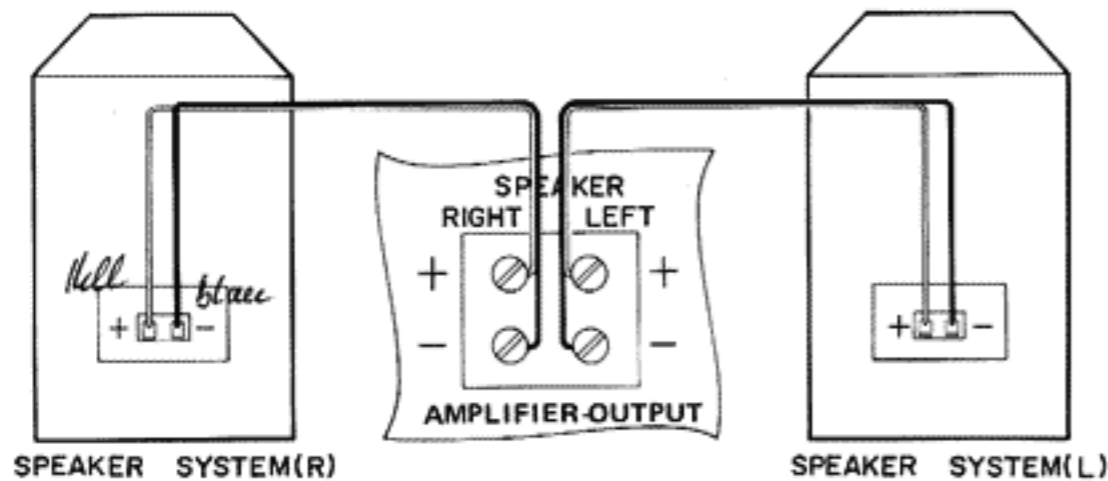


Fig. 1

2. Removing Front Grille (see Fig. 2)

The front grille of this speaker system is removable and the level control is conveniently located on the front for easy adjustment.

Be careful, not touch the speaker cones;

They are made of thin cone paper and easily punctured.

To replace the front grille, align its frame with the opening of the enclosure and gently push on the four corners.

3. Adjusting Level Control (see Fig. 2)

The front panel level control allows the tweeter and mid range sound level to be adjusted to your preference. Since acoustics depend on the environmental condition of your room, it is recommended to experiment with different settings of this control until satisfactory response is obtained.

As an example, for a room with a lot of furniture, carpeting and curtains, it may be necessary to set the control to the "MAX (Maximum)" position. On the other hand, a different setting is required for a room which does not contain so much sound absorbing material.

4. Adjusting Tunable Bass Port (see Fig. 2)

Because the VS-5323 has a tunable bass port it is possible to vary its low frequency characteristics to match the music being played and the acoustics of your room. For example for music such as jazz or rock which contains a relatively large amount of bass turn the control to 0dB or +2dB.

When the speaker system is in the corner of the room or when it is being used to play classical music or ballads turn the control to -2dB or 0dB.

In practice the emphasis you want will depend upon the type of music you are playing and your personal preference so always adjust the control for the optimum response.

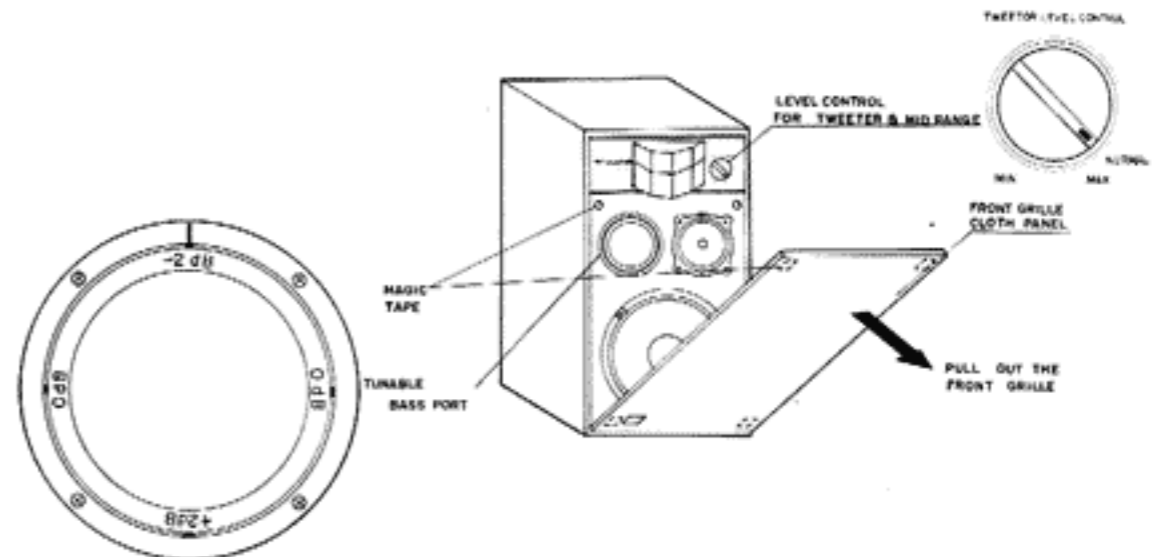


Fig. 2

CHARACTERISTICS

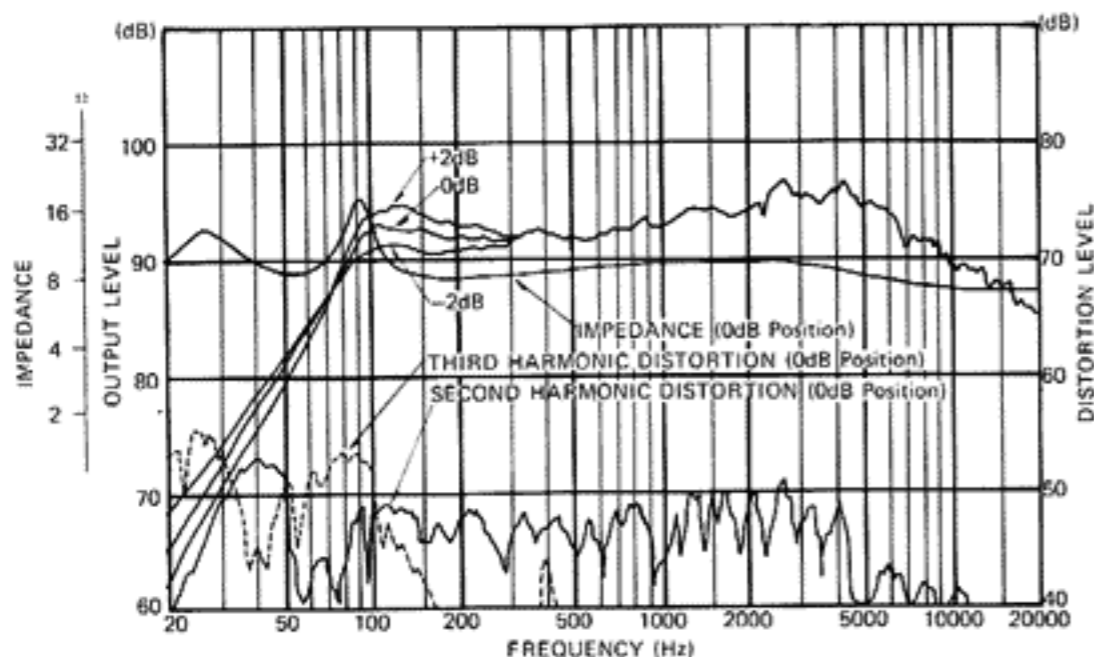


Fig. 3

SCHEMATIC DIAGRAM

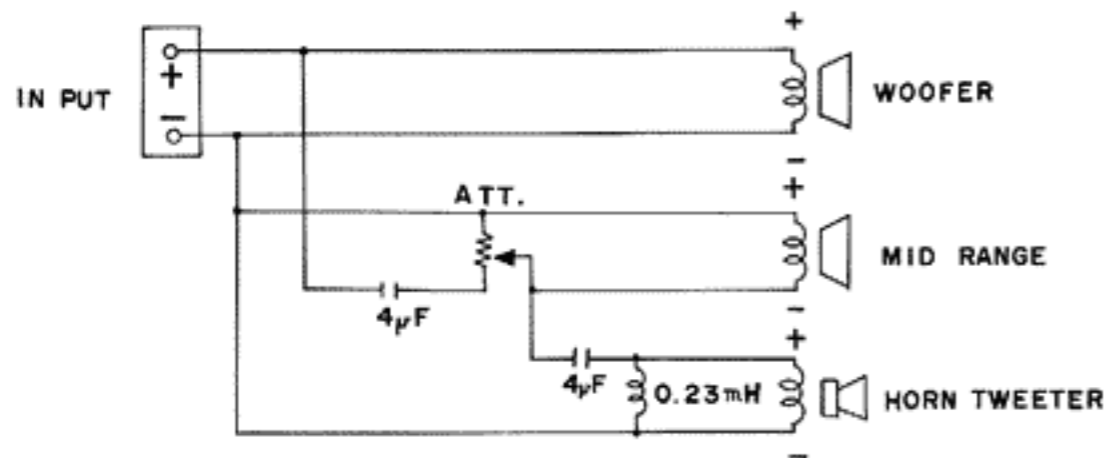


Fig. 4

FEATURES

- The tunable bass port allows the enclosure to be tuned to be either a bass reflex enclosure or an air suspension enclosure.
- The elegant front grille is easily detachable. By doing this one can increase the level of the high frequency range.
- Total frequency response is from 40Hz to 20kHz with crossover points at 5kHz and 8kHz.
- A copper cap in the magnetic circuit of the 10" speaker reduces eddy currents and this in turn reduces the third harmonic distortion by an average of 1/5. In addition the directivity of high frequency sound is improved by the use of a multi-cellular horn.
- **Tunable Bass Port**
The tunable bass port used to vary the low frequency characteristics of the VS-5323 works by changing the speaker cabinet from a bass reflex enclosure to an air suspension enclosure by continuously varying the opening of the bass port. When the bass port is turned to the +2dB position it becomes a bass reflex system and the low frequency characteristics - between 100 and 200Hz - are emphasised. When the bass port is turned to the -2dB position it becomes an air suspension system and the low frequencies are damped.

Fig. 3 shows how the frequency response can be changed. As your requirements change according to the acoustics of your room and the type of music being played, adjust the bass response by changing the tunable bass port.

SPECIFICATIONS

Type	: Variable bass reflex enclosure (can be used as an air suspension enclosure) 3-way, 3-speaker system
Speakers	: Woofer - 10" (25cm) cone speaker Mid-range - 4" (12cm) cone speaker Tweeter - Multi-cellular horn
Power handling capacity	: 50W (peak)
Input impedance	: 8Ω
Frequency range	: 40Hz - 20,000Hz
Crossover frequency	: 5,000Hz, 8,000Hz
Dimensions	: 22-13/16" (H) x 12-5/8" (W) x 11-13/16" (D) (58cm H x 32cm W x 30cm D)
Weight	: 17.6 lbs. (net) (8 kg)



JVC Makes the World's Finest Home Entertainment Products.

JVC
JVC AMERICA, INC.

A Subsidiary of
Victor Company of Japan, Limited, Tokyo, Japan
50-35 56th Road, Maspeth, N.Y. 11378



Printed in Japan
E30580-386A