

JVC

SERVICE MANUAL

PORTABLE CD PLAYER

XL-P52BK

On repairing the XL-P52, refer to the service manual (No. 1983) for the XL-P42 together with this manual because the XL-P52 is the same as the XL-P42 in the specifications except packing.

● Enclosure parts comparison table between XL-P42 and XL-P52

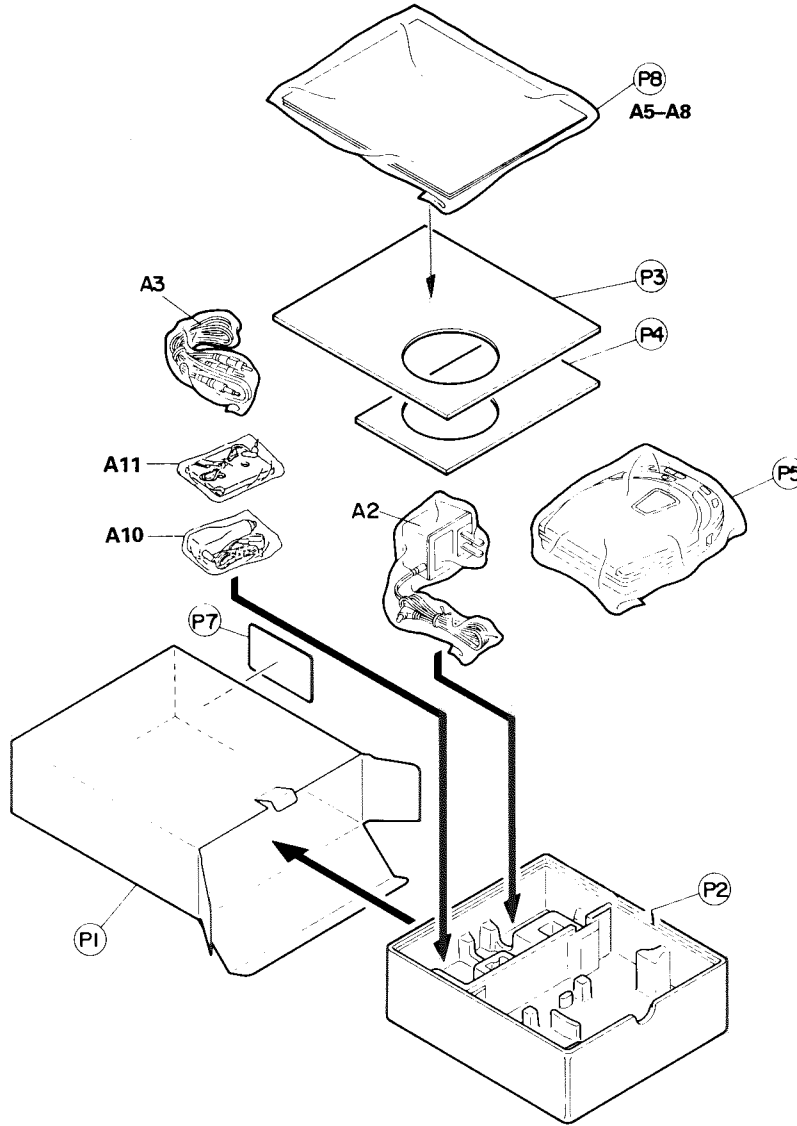
No.	Part Name	XL-P42 Part No.	XL-P52 Part No.
112	CD door	2549-805-0-02	2549-806-0-01

● Accessories Parts List

BLOCK NO. 03MM [] [] [] []

△	REF.	PARTS NO.	PARTS NAME	REMARKS	QTY	SUFFIX	CLR
A	2	0027-194-0-0313	AC ADAPTER	120V /6A	1		
A	3	VMP0127-001J	LINE CORD		1		
A	5	VNN9277-611H	INSTRUCTIONS	2552-920-0-07	1		
A	6	BT-52002-1	WARRANTY CARD		1	C	
		BT-20047F	WARRANTY CARD		1	J	
A	7	BT-20071B	SVC CENTER LIST		1	C	
		BT-20137	SERVICE NETWORK		1	J	
A	8	BT-20044G	SAFETY INST.		1	J	
A	10	VGB0060-015	CAR ADAPTOR		1		
A	11	VGA4022-002	CASSET ADAPTOR		1		

Packing Illustration and Parts List



● Packing Parts List

BLOCK NO. 03MM

△	REF.	PARTS NO.	PARTS NAME	REMARKS	QTY	SUFFIX	CLR
P	1	2552-911-0-04	GIFT BOX		1		
P	2	2549-901-0-00	CUSHION		1		
P	3	2520-907-1-00	SPACER C		1		
P	4	2520-908-1-00	SPACER D		1		
P	5	VPE3005-042	POLY BAG	FOR SET	1		
P	7	-----	CARTON LABEL		1		
P	8	0033-985-0-00		FOR INSTRUCTION	1		

JVC

VICTOR COMPANY OF JAPAN, LIMITED
AUDIO PRODUCTS DIVISION

10-1, 1-chome, Ohwatari-machi, Maebashi-city, Japan