

CD AUTO CHANGER

KDC-C719/C719Y KDC-C719/G4

SERVICE MANUAL REVISED

KENWOOD

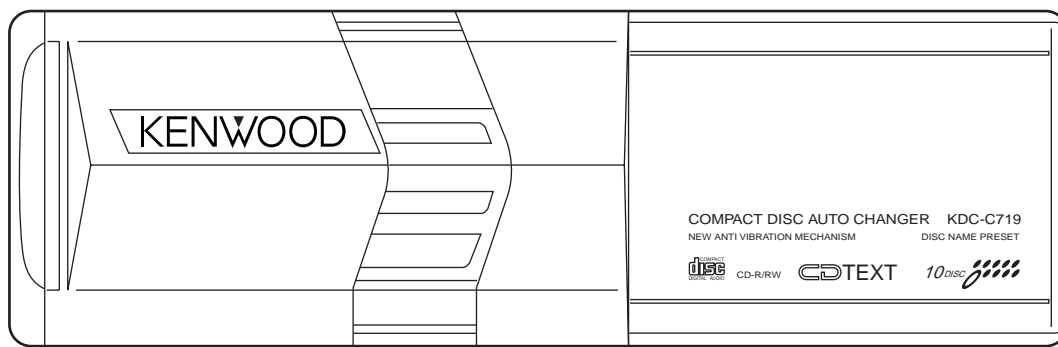
Kenwood Corporation

© 2006-5 PRINTED IN JAPAN
B53-0418-00 (N) 960

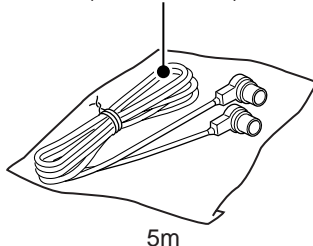
Model	Serial Number
KDC-C719 (E type)	U0400251~
KDC-C719 (K,M type)	60400351~
KDC-C719/G4 (M type)	67400651~

Service jig	Parts No.
For initial position setting	W05-0635-00

When transporting these models, always attach CAUTION CARD and STEPPED SCREW (for transportation).

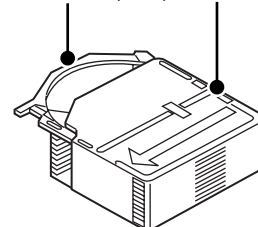


Cord with plug
(E30-4291-15)

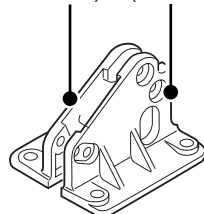


5m

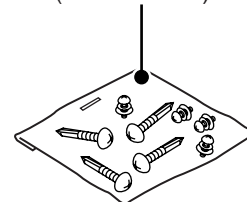
Tray
(J99-0614-01) Holder assy
(J19-5146-02)



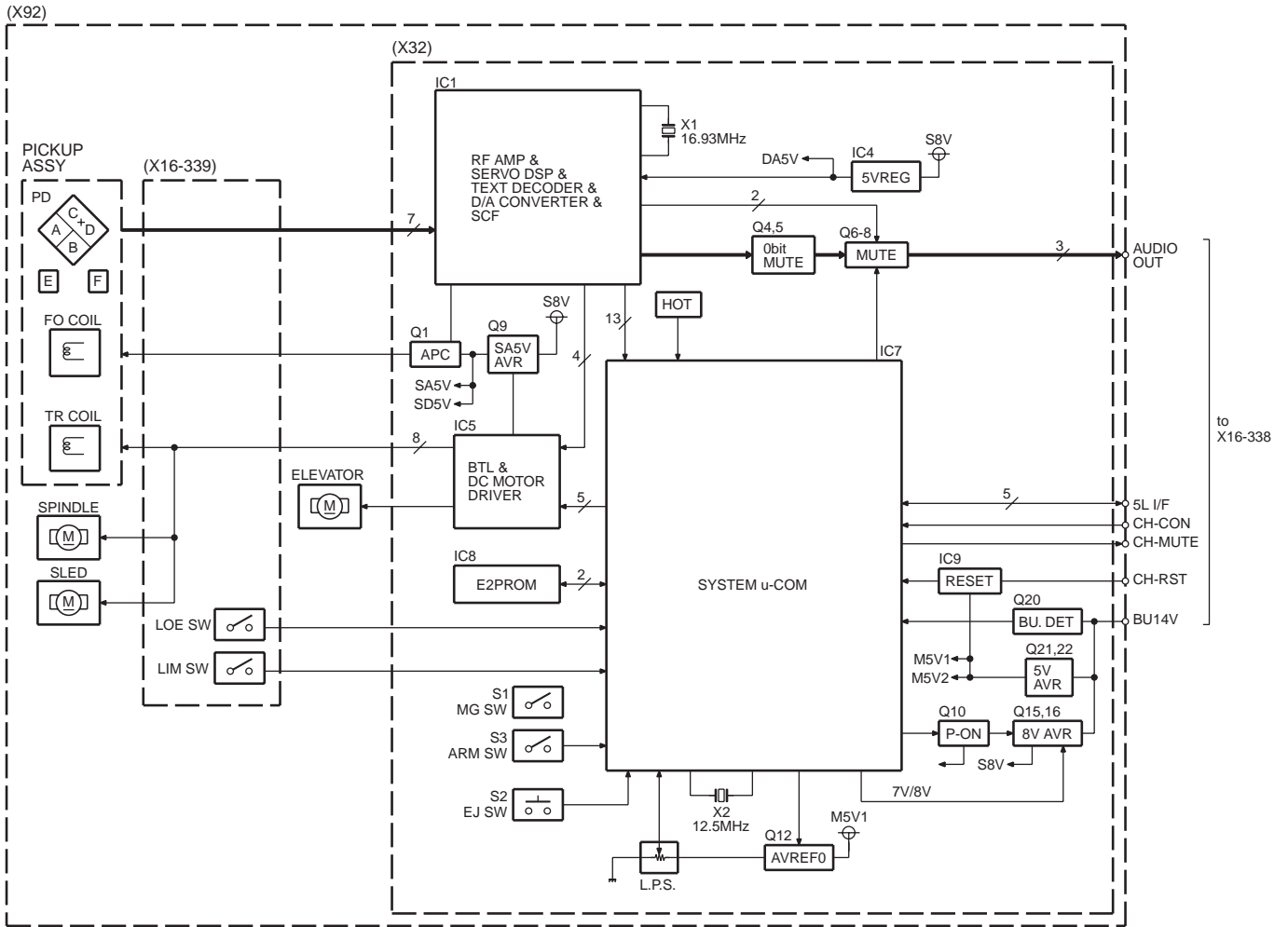
Bracket (L)
(J19-5018-03) Bracket (R)
(J19-5019-03)



Screw set
(N99-1784-05)



BLOCK DIAGRAM



COMPONENTS DESCRIPTION

● CD PLAYER UNIT (X32-5810-00)

Ref. No.	Application / Function	Operation / Condition / Compatibility
IC1	DSP	Servo control
IC4	A5V regulator	Power supply for 5V audio
IC5	Driver	Driving spindle motor, loading/eject operation, elevation operation, driving pick-up ACT
IC7	μ-com	Servo control, LX_BUS communication control
IC8	Memory IC	ELV operation parameter, Store servo coefficient
IC9	Reset IC	
Q1	Current AMP	Adjust the current to be applied to the laser
Q4~8	AMUTE SW	AMUTE
Q9	SW SA5V	
Q10	PON SW	PON
Q11	CH RESET SW	CH RESET
Q13	CH control SW	
Q14	CH MUTE SW	CH MUTE
Q16	SW8V	
Q17,18	8V SW	
Q19	8V/7V SW	8V/7V switching
Q20	BU5V detection SW	BU5V detection
Q21,22	BU5V	Supply power to IC7
Q30	Anti-scratch measure	
Q31	SW	Switching loading, eject, and spindle

MICROCOMPUTER'S TERMINAL DESCRIPTION

● SYSTEM MICROCOMPUTER: 784214YGC132A/784217YGC106A (X32: IC7)

Pin No.	Pin Name	I/O	Application
1	NOR/RW	O	Disc detection result
2	/TSTB	O	TEXT data strobe signal
3	P_CON	O	Power supply control signal for video CH
4	FOK	I	Focus-ON status signal input
5	/XTALEN	O	Servo IC oscillation stop signal
6	RST	O	Servo IC reset terminal
7	SA0	O	Servo IC communication address setting
8	SSTB	O	Servo IC communication strobe
9	VDD		Positive power supply voltage connection terminal
10	X2		Oscillator connection terminal 2
11	X1	I	Oscillator connection terminal 1
12	VSS		GND electric potential connection
13	XT2		Sub clock connection terminal 2
14	XT1	I	Sub clock connection terminal 1

MICROCOMPUTER'S TERMINAL DESCRIPTION

Pin No.	Pin Name	I/O	Application
15	RESET	I	Reset
16	FOGUP	I	Focus gain up terminal
17	MGSW	I	Magazine switch
18	EJSW	I	Eject switch
19	COMMSW	I	5 line communication new/old switch
20	PACK	I	TEXT data PACK synch signal
21	CHCON	I	Changer control input from H/U
22	BUDET	I	BU power supply detection terminal
23	AVDD		A/D converter analog power supply terminal
24	AVREF0	I	A/D converter reference voltage input
25	HOT	I	Temperature rise detection
26	LPS	I	MD deck up/down position detection
27	LOESW	I	Loading completion switch
28	LIMSW	I	Limit switch
29	TOFF	I	Tracking off mode
30	ADJSEL	I	Servo auto-adjustment ON/OFF
31	TBANK	I	Tracking bank switching terminal
32	SIM2	I	Model detection terminal
33	AVSS		A/D converter standard GND terminal
34	LPSCO	O	A/D converter reference power supply control
35	AMUTE	O	Audio mute
36	AVREF1		D/A converter reference power supply
37	SDI	I	Servo IC communication serial data input
38	SDO	O	Servo IC communication serial data output
39	SCK	O	Servo IC communication serial clock output
40	DATAH	I	Data input from H/U
41	DATAC	O	Data output from the changer
42	HCLK	I/O	Communication clock input from H/U
43	REQC	O	Request of communication with H/U
44	CHMUTE	O	Audio mute output to H/U
45	TSI	I	TEXT data input
46	TSO	O	TEXT data output
47	/TSCK	O	TEXT clock output
48~71	NC	O	Not used
72	VSS		GND electric potential connection terminal
73,74	NC	O	Not used
75	PUOK	O	Pick-up type detection terminal (for production)
76	ELVADJ	I	MD deck up/down position adjustment mode
77~80	NC	O	Not used
81	VDD		Positive power supply voltage connection terminal
82	PUSEL	I	Pick-up type detection
83	REQH	I	Request of communication from H/U
84	SP/LO+	O	Spindle/loading control terminal +

MICROCOMPUTER'S TERMINAL DESCRIPTION

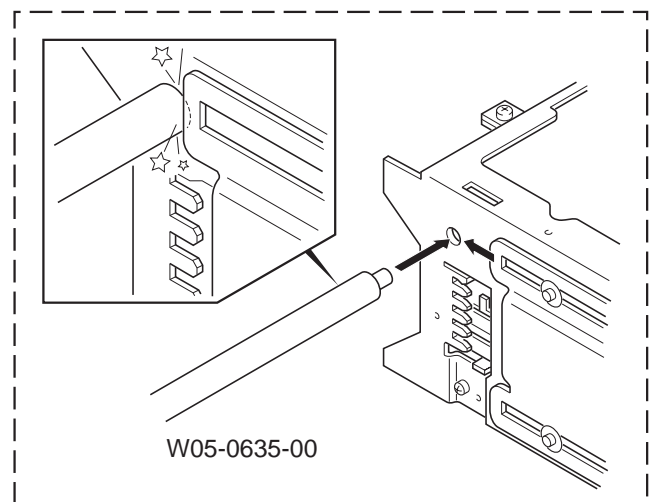
Pin No.	Pin Name	I/O	Application
85	SP/LO-	O	Spindle/loading control terminal -
86	ELV+	O	MD up/down control terminal +
87	ELV-	O	MD up/down control terminal -
88	SIM1	I	Standard stack CH destination port
89	SEARCH	O	Search/play switching port
90	TEST1	I	Mechanism duration mode
91	TEST2	I	Mechanism duration mode
92	8V/7V	O	Driver IC for mechanism operation power supply voltage control
93	EEPWR	I	EEPROM writing mode
94	TEST/VPP	I	Flash ROM program mode
95	SRVSEL	I	Servo operation mode (no mechanism operation)
96	SLNSA	I	Sled blind zone ON/OFF terminal
97	SDA	I/O	EEPROM data input/output
98	SCL	O	EEPROM clock output
99	PON	O	PON output
100	ARMSW	I	Arm switch

ADJUSTMENT

● L.P.S. initial position adjustment procedure

1. Connect the changer to the HEAD UNIT (H/U).
2. While holding the magazine eject button of the changer, press the reset button of the H/U.
3. After about 3 seconds, release the magazine eject button.
4. Press the SRC button of the H/U to enter the CD-CH mode, and the H/U's display section indicates "E-88".
5. Move the mechanism deck to around the 1st stage by pressing the DISC- or DISC+ button.
6. Insert the adjustment tool (W05-0635-00) into the tool hole on the changer mechanism.
7. Then press the DISC+ button to move the mechanism deck until the mechanism's slider hits the adjustment tool.
8. When the motor locks (stops), press the REPEAT key of the H/U.

When the REPEAT key is pressed, the mechanism moves automatically to the 1st stage and the initial position adjustment completes. (The data is written in the EEPROM at this time.)



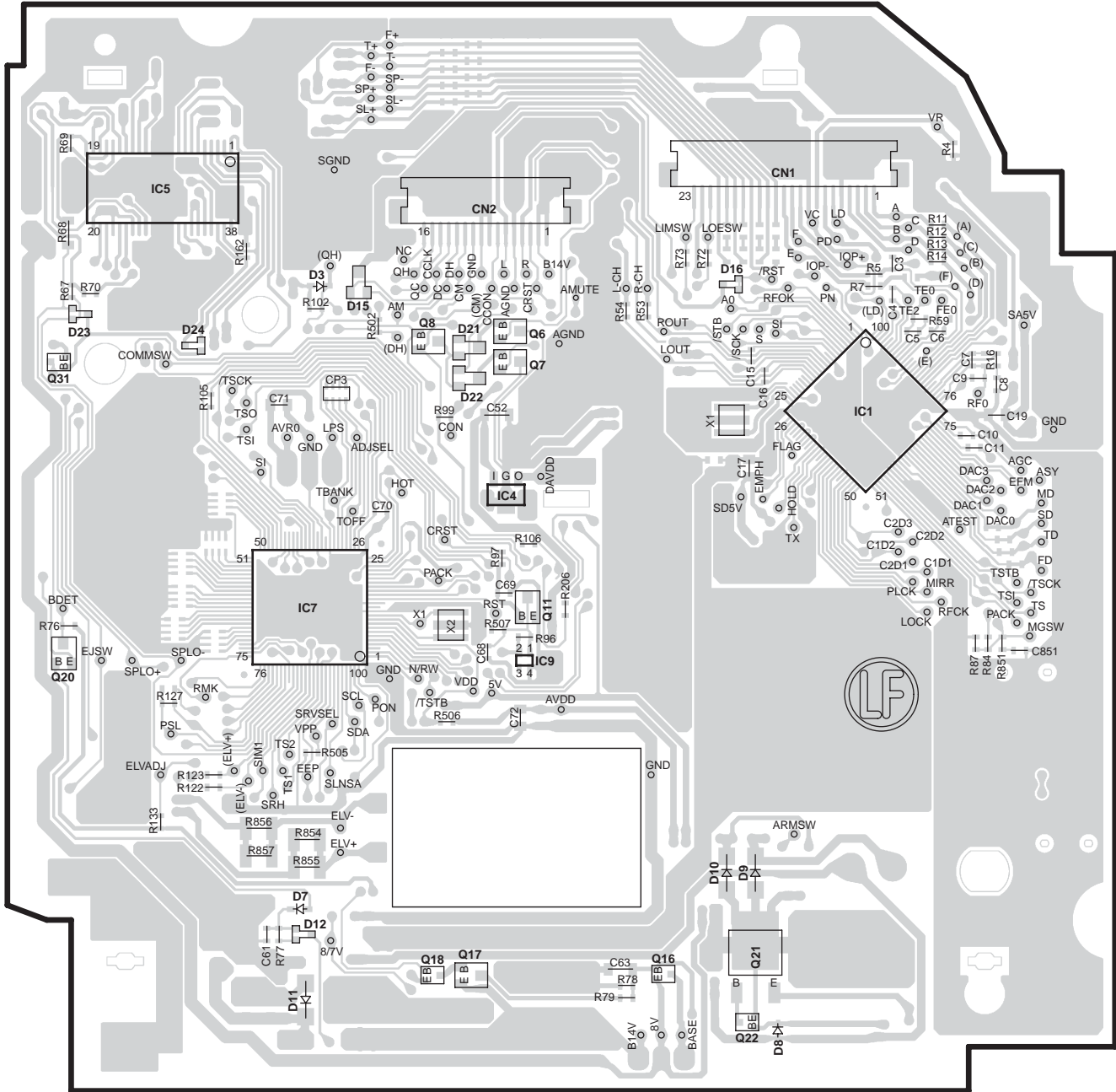
● Caution : Note on IC8 (EEPROM)

Be sure to use the W05-1306-00 when replacing the EEPROM. IC8 stores the digital servo data of the pickup servo.

Therefore, if the EEPROM does not store servo data, ERROR76 (E-76) will indicate the H/U's display section at the moment CD is played.

PC BOARD (COMPONENT SIDE VIEW)

CD PLAYER UNIT X32-5810-00 (J76-0139-11)



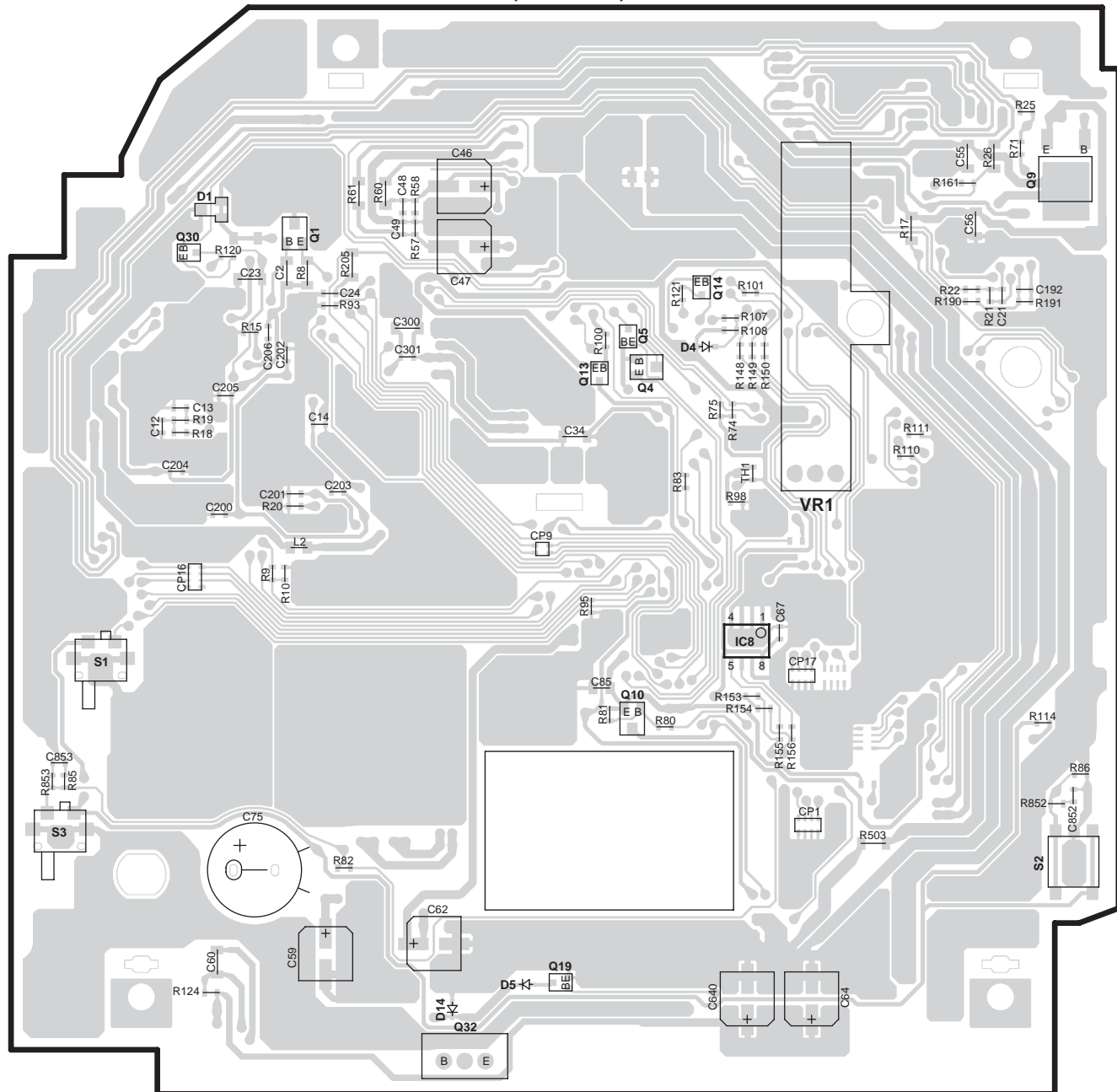
X32-5810-00

Ref. No.	Address	Ref. No.	Address	Ref. No.	Address
IC1	3D	Q7	3C	Q20	4A
IC4	3C	Q8	3C	Q21	5D
IC5	2B	Q11	4C	Q22	5D
IC7	4B	Q16	5D	Q31	3A
IC9	4C	Q17	5C		
Q6	3C	Q18	5C		

Refer to the schematic diagram for the values of resistors and capacitors.

PC BOARD (FOIL SIDE VIEW)

CD PLAYER UNIT X32-5810-00 (J76-0139-11)



X32-5810-00

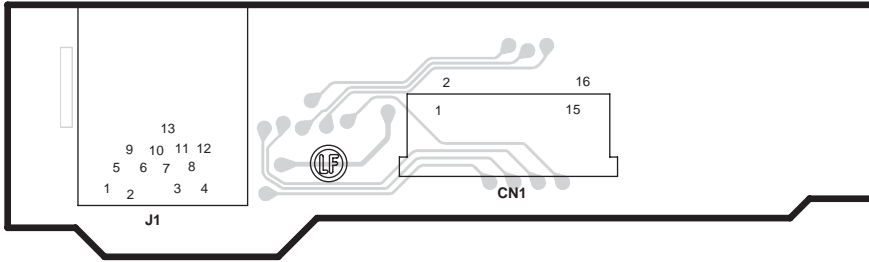
Ref. No.	Address	Ref. No.	Address
IC8	4H	Q10	4H
Q1	2G	Q13	3H
Q4	3H	Q14	2H
Q5	3H	Q19	5H
Q9	2J	Q30	2F

Refer to the schematic diagram for the values of resistors and capacitors.

KDC-C719/C719Y
KDC-C719/G4

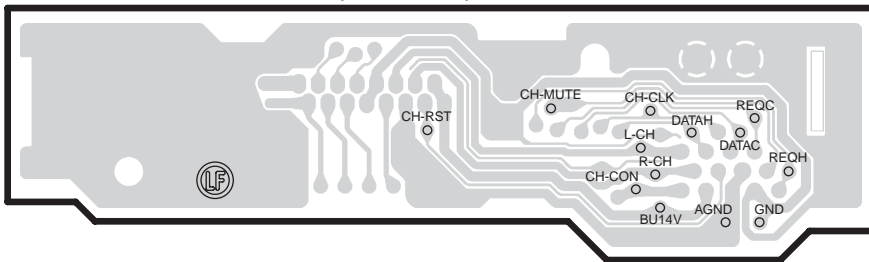
PC BOARD (COMPONENT SIDE VIEW)

SUB-CIRCUIT UNIT X16-3380-00 (J76-0144-12)

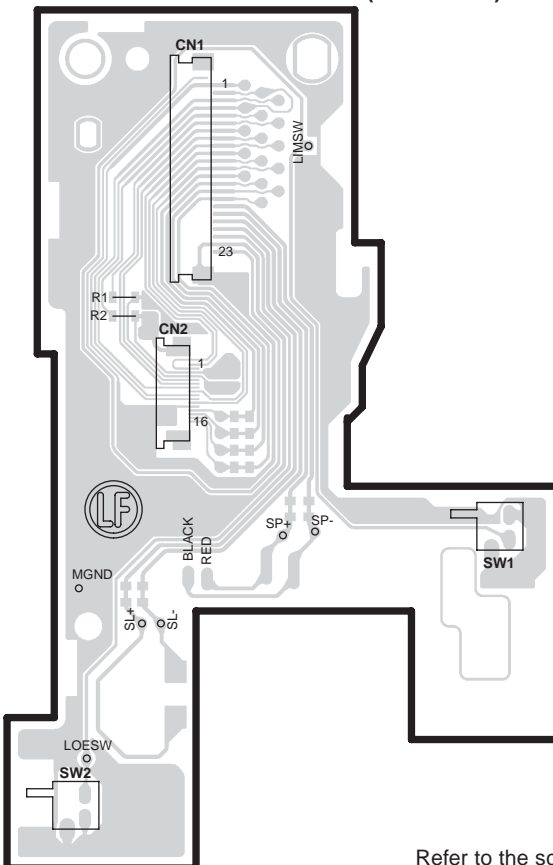


PC BOARD (FOIL SIDE VIEW)

SUB-CIRCUIT UNIT X16-3380-00 (J76-0144-12)



SUB-CIRCUIT UNIT X16-3390-00 (J76-0145-11)



Refer to the schematic diagram for the values of resistors and capacitors.

1

2

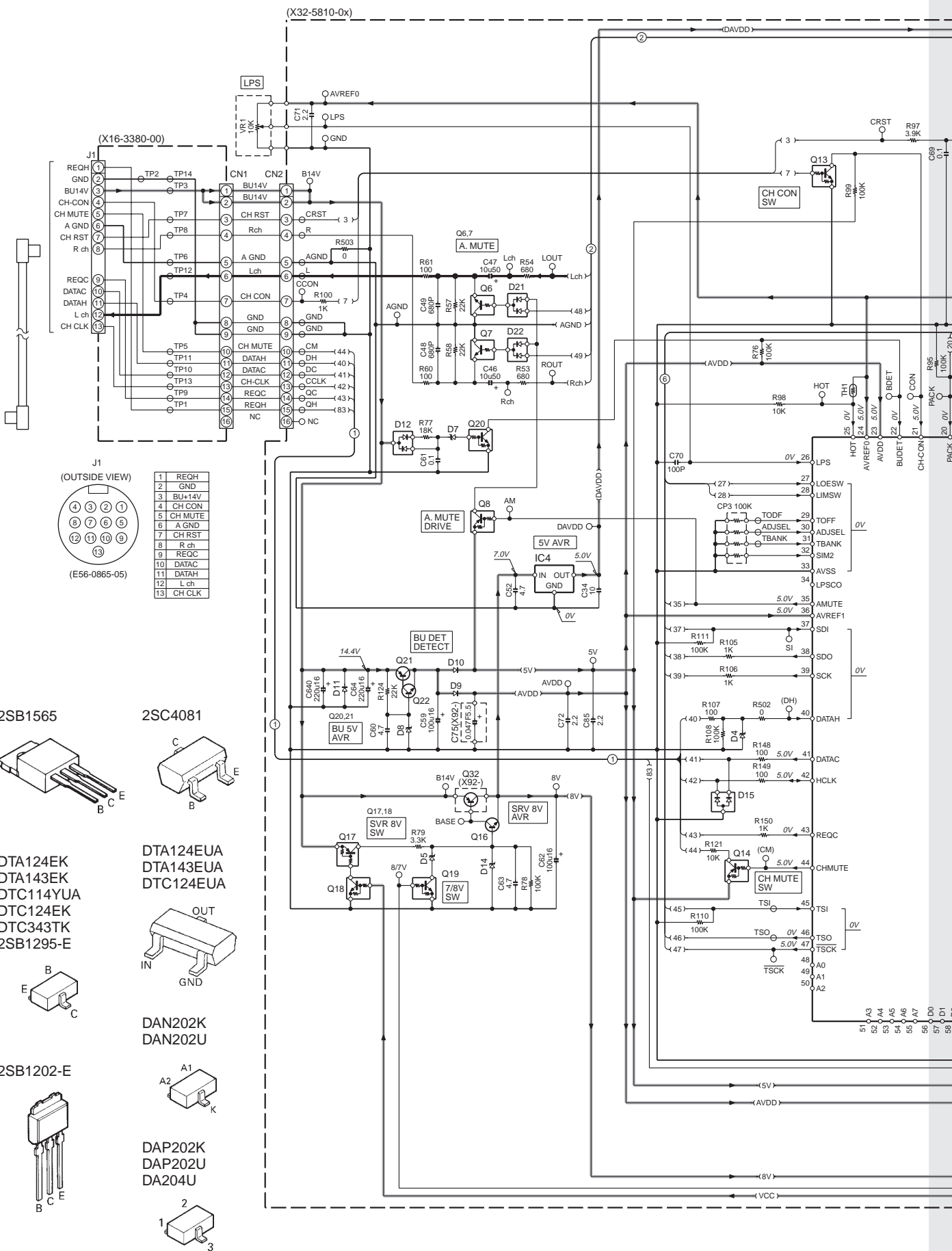
3

4

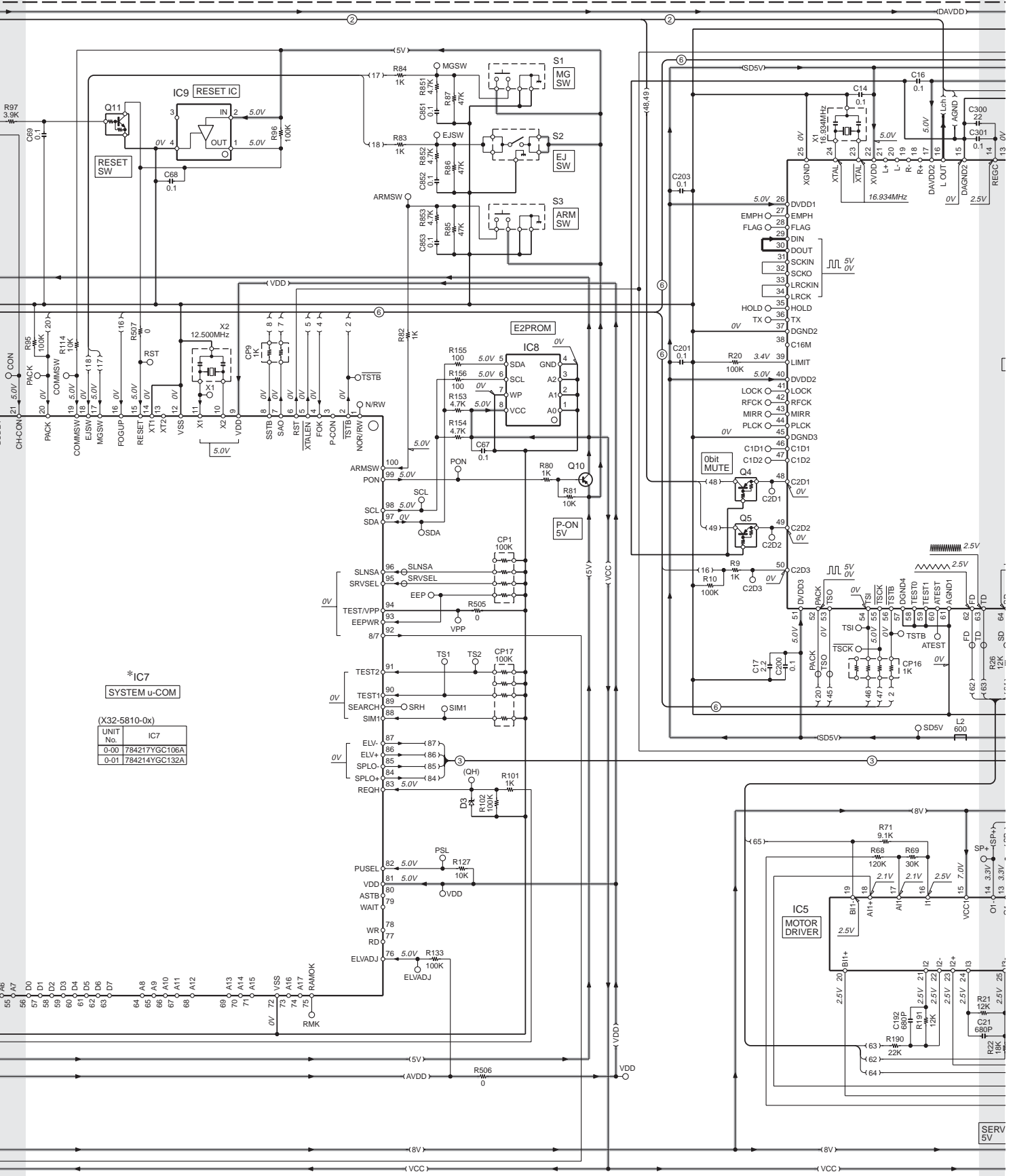
5

6

7



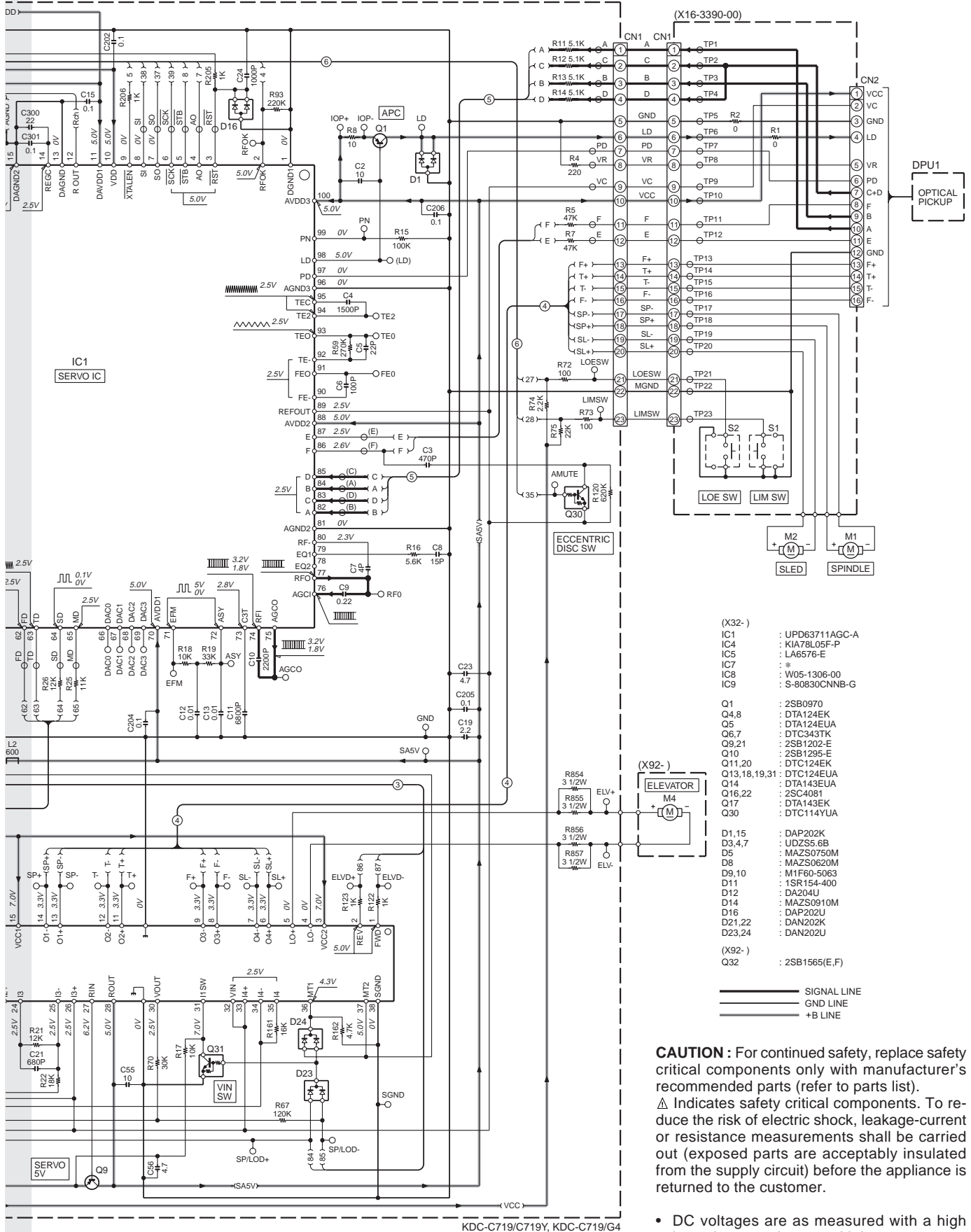
KDC-C719/C719Y
KDC-C719/G4



*IC7
SYSTEM u-COM

(X32-5810-0x)

UNIT No.	IC7
0-00	784217YGC106A
0-01	784214YGC132A



- (X32-)
- IC1 : UPD63711AGC-A
 - IC4 : KIA78L05F-P
 - IC5 : LA6576-E
 - IC7 : *
 - IC8 : W05-1306-00
 - IC9 : S-80830CNNB-G

- Q1 : 2SB0970
- Q4,8 : DTA124EK
- Q5 : DTA124EUA
- Q6,7 : DTC343TK
- Q9,21 : 2SB1202-E
- Q10 : 2SB1295-E
- Q11,20 : DTC124EK
- Q13,18,19,31 : DTC124EUA
- Q14 : DTA143EUA
- Q16,22 : 2SC4081
- Q17 : DTA143EK
- Q30 : DTC114YUA

- D1,15 : DAP202K
- D3,4,7 : UDZS5.6B
- D5 : MAZS0750M
- D8 : MAZS0620M
- D9,10 : M1F60-5063
- D11 : 1SR154-400
- D12 : DA204U
- D14 : MAZS0910M
- D16 : DAP202U
- D21,22 : DAN202K
- D23,24 : DAN202U

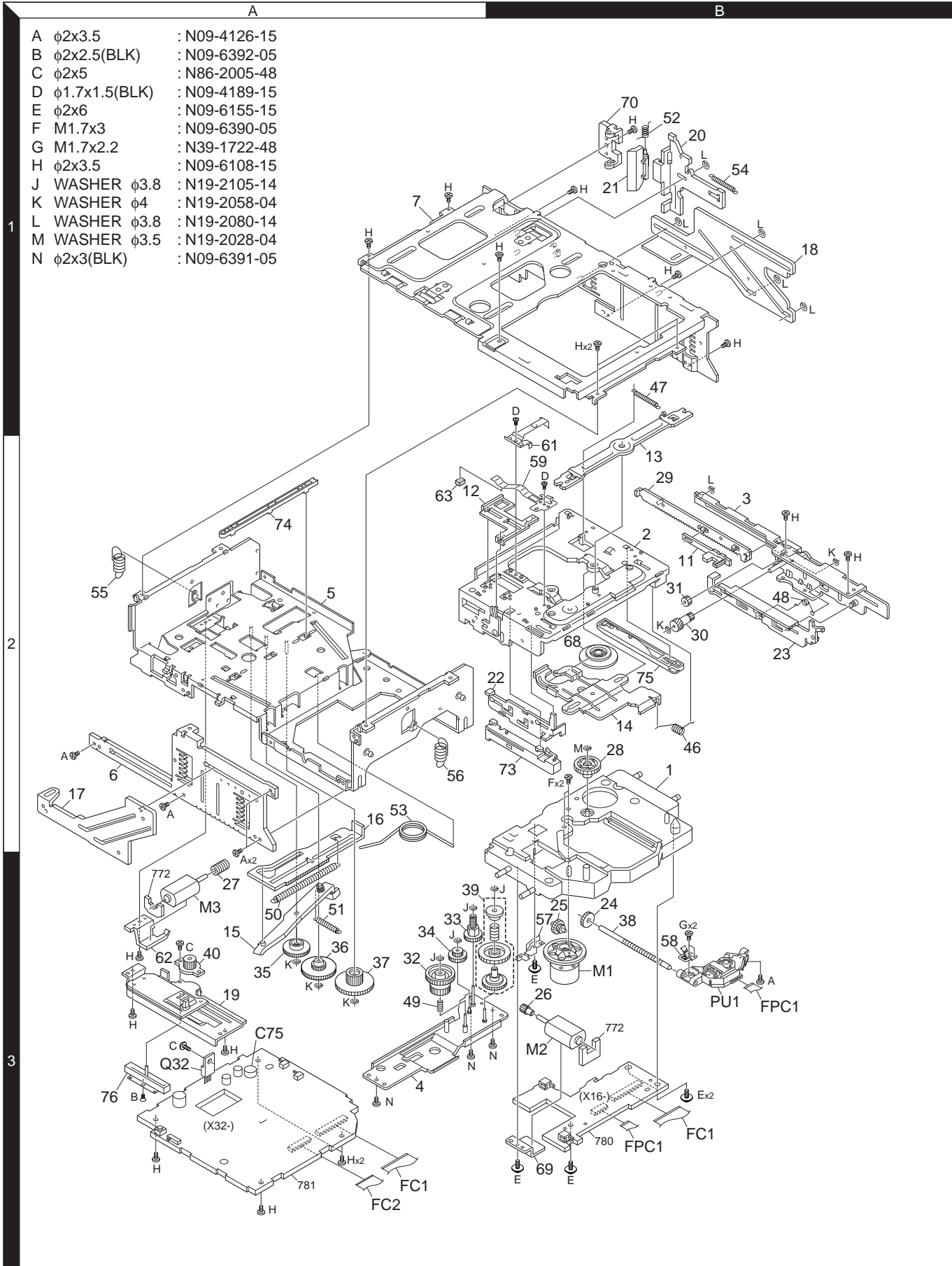
- (X92-)
- Q32 : 2SB1565(E,F)

— SIGNAL LINE
 — GND LINE
 — +B LINE

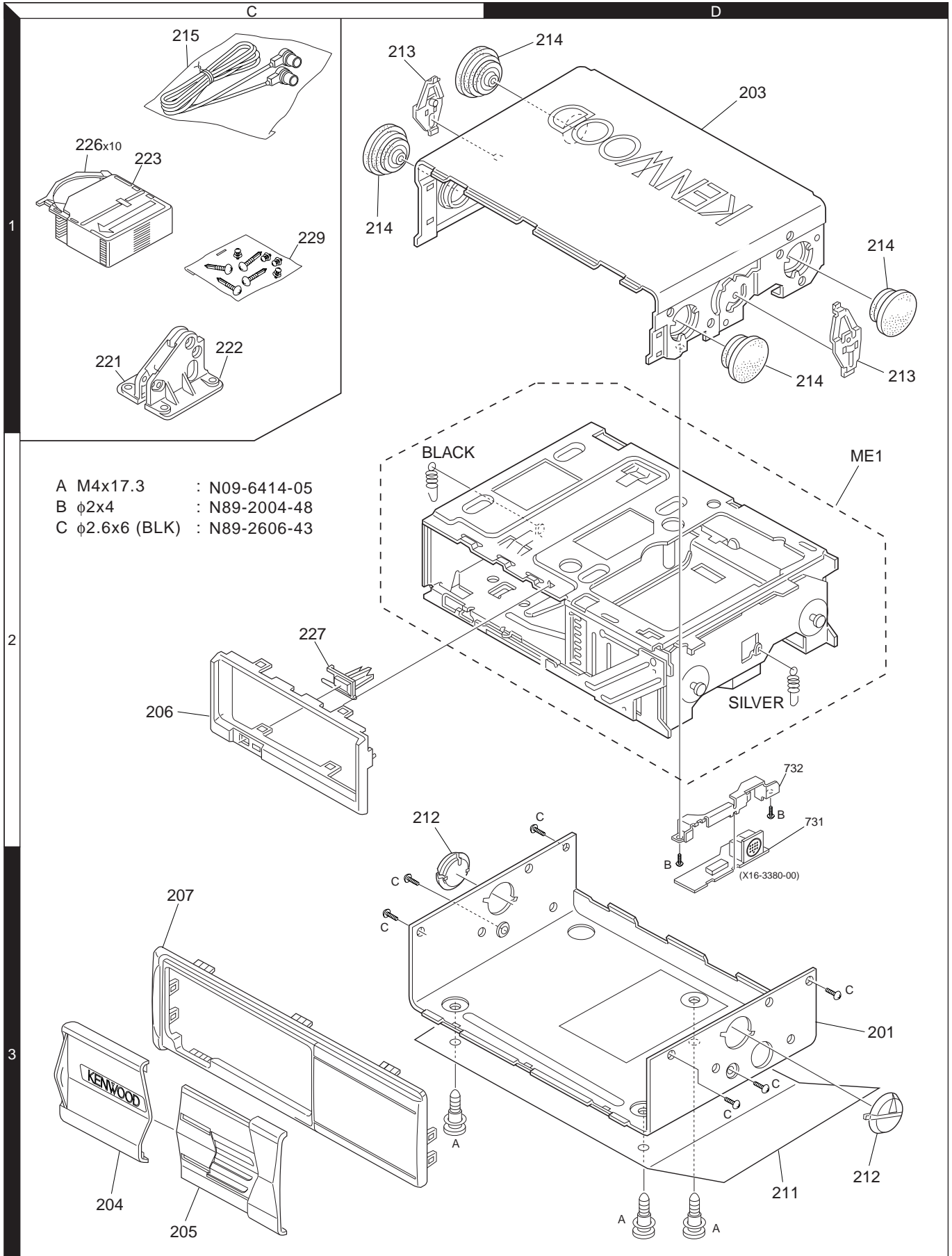
CAUTION : For continued safety, replace safety critical components only with manufacturer's recommended parts (refer to parts list).
 ⚠ Indicates safety critical components. To reduce the risk of electric shock, leakage-current or resistance measurements shall be carried out (exposed parts are acceptably insulated from the supply circuit) before the appliance is returned to the customer.

- DC voltages are as measured with a high impedance voltmeter. Values may vary slightly due to variations between individual instruments or/and units.

EXPLODED VIEW (CD MECHANISM)



EXPLODED VIEW (UNIT)



Parts with the exploded numbers larger than 700 are not supplied.

PARTS LIST

* New parts

Parts without **Parts No.** are not supplied.

Les articles non mentionnés dans le **Parts No.** ne sont pas fournis.

Teile ohne **Parts No.** werden nicht geliefert.

Ref. No.	Ad d	New	Parts No.	Description	Desti- nation
KDC-C719/C719Y_C719/G4					
201	3D	*	A10-5277-01	CHASSIS	M1E2E3
201	3D	*	A10-5277-01	CHASSIS	M3
201	3D	*	A10-5278-01	CHASSIS	K1
203	1D		A01-2881-01	METALLIC CABINET	M1E2E3
203	1D		A01-2881-01	METALLIC CABINET	M3
203	1D	*	A01-2882-01	METALLIC CABINET	K1
204	3C		A21-4047-12	DRESSING PANEL	M1E2E3
204	3C		A21-4047-12	DRESSING PANEL	M3
204	3C		A21-4082-02	DRESSING PANEL	K1
205	3C		A21-4048-12	DRESSING PANEL	M1E2E3
205	3C		A21-4048-12	DRESSING PANEL	M3
205	3C		A21-4083-02	DRESSING PANEL	K1
206	2C		A22-2997-02	SUB PANEL	
207	3C		A64-2896-01	PANEL	K1
207	3C		A64-2897-01	PANEL	M1E2E3
207	3C		A64-2897-01	PANEL	M3
-			B46-0100-50	WARRANTY CARD	K1M1M3
-			B46-0182-14	ID CARD	E2E3
-			B46-0682-00	WARRANTY CARD	E2E3
-			B58-1236-04	CAUTION CARD	
-			B58-1411-04	CAUTION CARD	E2E3
-			B58-1947-00	CAUTION CARD	E2E3
-			B64-2346-00	INSTRU.MANUAL (ENG,FRE,SPA,POR)	K1E3
-			B64-2350-00	INSTRUCTION MANUAL (ENG,T-CHI)	M1M3
-		*	B64-2351-10	INSTRUCTION MANUAL (ARA)	M1M3
-			B64-2355-00	INSTRUCTION MANUAL (ENG,RUS,POL)	E2
-			B64-2356-00	INSTRUCTION MANUAL (CZE,HUN,CRO)	E2
-		*	B64-2365-10	INSTRUCTION MANUAL (GER,DUT,ITA)	E3
211	3D		B58-1275-04	CAUTION CARD	
212	3D		D10-4515-03	ARM	
213	1C	*	D10-4516-14	LEVER	
214	1C		D39-0242-05	DAMPER	
215	1C		E30-4291-15	CORD WITH PLUG	
-			H02-0827-03	INNER CARTON CASE	
-			H10-4729-02	POLYSTYRENE FOAMED FIXTURE	
-			H13-1706-04	CARTON BOARD	
-			H25-0337-04	PROTECTION BAG (180X300X0.03)	
-			H25-1111-04	PROTECTION BAG (280X450X0.03)	M1E2E3
-			H25-1111-04	PROTECTION BAG (280X450X0.03)	M3
-			H25-1115-04	PROTECTION BAG	K1
-		*	H54-2592-14	ITEM CARTON CASE	K1E3
-		*	H54-2595-14	ITEM CARTON CASE	M1M3
-			H54-2598-04	ITEM CARTON CASE	E2
221	1C		J19-5018-03	BRACKET (L)	
222	1C		J19-5019-03	BRACKET (R)	
223	1C		J19-5146-02	HOLDER ASSY (DISC MAGAZINE)	
226	1C		J99-0614-01	TRAY	
227	2C		K24-4055-04	PUSH KNOB	
229	1C	*	N99-1784-05	SCREW SET	

Ref. No.	Ad d	New	Parts No.	Description	Desti- nation
A	3D	*	N09-6414-05	STEPPED SCREW	
B	2D	*	N89-2004-48	BINDING HEAD TAPTITE SCREW	
C	3D		N89-2606-43	BINDING HEAD TAPTITE SCREW	
ME1	2D	*	X92-5310-00	MECHANISM ASSY (CHM-1400W)	
SUB-CIRCUIT UNIT (X16-3380-00)					
CN1			E41-2245-05	FLAT CABLE CONNECTOR	
J1			E56-0865-05	CYLINDRICAL RECEPTACLE	
SUB-CIRCUIT UNIT (X16-3390-00) in X92					
CN1		*	E41-2514-05	FLAT CABLE CONNECTOR	
CN2			E41-2612-05	FLAT CABLE CONNECTOR	
R1,2			RK73EB2E000JX	CHIP R 0.0 J 1/4W	
S1,2			S74-0811-05	MICRO SWITCH	
CD PLAYER UNIT (X32-5810-00) in X92					
C2			CK73EB1A106K	CHIP C 10UF K	
C3			CC73GCH1H471J	CHIP C 470PF J	
C4			CK73GB1H152K	CHIP C 1500PF K	
C5			CC73GCH1H220J	CHIP C 22PF J	
C6			CC73GCH1H101J	CHIP C 100PF J	
C7			CC73GCH1H040C	CHIP C 4.0PF C	
C8			CC73GCH1H150J	CHIP C 15PF J	
C9			CK73GB1C224K	CHIP C 0.22UF K	
C10			CK73GB1H222K	CHIP C 2200PF K	
C11			CK73GB1H682K	CHIP C 6800PF K	
C12,13			CK73GB1H103K	CHIP C 0.010UF K	
C14-16			CK73GB1H104K	CHIP C 0.10UF K	
C17			CK73FB1A225K	CHIP C 2.2UF K	
C19			CK73FB1A225K	CHIP C 2.2UF K	
C21			CC73GCH1H681J	CHIP C 680PF J	
C23			CK73EB1A475K	CHIP C 4.7UF K	
C24			CK73GB1H102K	CHIP C 1000PF K	
C34			CK73EB1A106K	CHIP C 10UF K	
C46,47			CE32BJ1H100M	CHIP EL 10UF 50WV	
C48,49			CC73GCH1H681J	CHIP C 680PF J	
C52			CK73EB1A475K	CHIP C 4.7UF K	
C55			CK73EB1A106K	CHIP C 10UF K	
C56			CK73EB1A475K	CHIP C 4.7UF K	
C59			CE32BJ1C101M	CHIP EL 100UF 16WV	
C60			CK73EB1A475K	CHIP C 4.7UF K	
C61			CK73GB1H104K	CHIP C 0.10UF K	
C62			CE32BJ1C101M	CHIP EL 100UF 16WV	
C63			CK73EB1A475K	CHIP C 4.7UF K	
C64			CE32BM1C221M	CHIP EL 220UF 16WV	
C67-69			CK73GB1H104K	CHIP C 0.10UF K	
C70			CC73GCH1H101J	CHIP C 100PF J	
C71,72			CK73FB1A225K	CHIP C 2.2UF K	
C85			CK73FB1A225K	CHIP C 2.2UF K	
C192			CC73GCH1H681J	CHIP C 680PF J	
C200-206			CK73GB1H104K	CHIP C 0.10UF K	
C300			CK73EB0J226K	CHIP C 22UF K	
C301			CK73GB1H104K	CHIP C 0.10UF K	
C640			CE32BM1C221M	CHIP EL 220UF 16WV	
C851-853			CK73GB1H104K	CHIP C 0.10UF K	

E2 : KDC-C719Y E3 : KDC-C719 (Europe)

K1 : KDC-C719 (North America)

M1 : KDC-C719 M3 : KDC-C719/G4 (Other Areas)

△ Indicates safety critical components.

PARTS LIST

CD PLAYER UNIT (X32-5810-00) in X92

Ref. No.	Add	New	Parts No.	Description	Destination	Ref. No.	Add	New	Parts No.	Description	Destination
CN1		*	E41-2179-05	FLAT CABLE CONNECTOR		R108			RK73GB2A104J	CHIP R 100K J 1/10W	
CN2		*	E41-2173-05	FLAT CABLE CONNECTOR		R110,111			RK73GB2A104J	CHIP R 100K J 1/10W	
L2			L92-0322-05	CHIP FERRITE		R114			RK73GB2A103J	CHIP R 10K J 1/10W	
X1			L78-0596-05	RESONATOR		R120			RK73GB2A624J	CHIP R 620K J 1/10W	
X2			L78-0568-05	RESONATOR		R121			RK73GB2A103J	CHIP R 10K J 1/10W	
CP1			RK74GB1J104J	CHIP-COM 100K J 1/16W		R122,123			RK73GB2A102J	CHIP R 1.0K J 1/10W	
CP3			RK74GB1J104J	CHIP-COM 100K J 1/16W		R124			RK73GB2A223J	CHIP R 22K J 1/10W	
CP9			RK74GA1J102J	CHIP-COM 1.0K J 1/16W		R127			RK73GB2A103J	CHIP R 10K J 1/10W	
CP16			RK74GB1J102J	CHIP-COM 1.0K J 1/16W		R133			RK73GB2A104J	CHIP R 100K J 1/10W	
CP17			RK74GB1J104J	CHIP-COM 100K J 1/16W		R148,149			RK73GB2A101J	CHIP R 100 J 1/10W	
R4			RK73GB2A221J	CHIP R 220 J 1/10W		R150			RK73GB2A102J	CHIP R 1.0K J 1/10W	
R5			RK73GB2A473J	CHIP R 47K J 1/10W		R153,154			RK73GB2A472J	CHIP R 4.7K J 1/10W	
R7			RK73GB2A473J	CHIP R 47K J 1/10W		R155,156			RK73GB2A101J	CHIP R 100 J 1/10W	
R8			RK73EB2E100J	CHIP R 10 J 1/4W		R161			RK73GB2A163J	CHIP R 16K J 1/10W	
R9			RK73GB2A102J	CHIP R 1.0K J 1/10W		R162			RK73GB2A472J	CHIP R 4.7K J 1/10W	
R10			RK73GB2A104J	CHIP R 100K J 1/10W		R190			RK73GB2A223J	CHIP R 22K J 1/10W	
R11-14			RK73GB2A512J	CHIP R 5.1K J 1/10W		R191			RK73GB2A123J	CHIP R 12K J 1/10W	
R15			RK73GB2A104J	CHIP R 100K J 1/10W		R205			RK73EB2E102J	CHIP R 1.0K J 1/4W	
R16			RK73GB2A562J	CHIP R 5.6K J 1/10W		R206			RK73GB2A102J	CHIP R 1.0K J 1/10W	
R17			RK73EB2E103J	CHIP R 10K J 1/4W		R502			RK73GB2A000JX	CHIP R 0.0 J 1/10W	
R18			RK73GB2A103J	CHIP R 10K J 1/10W		R503			RK73EB2E000JX	CHIP R 0.0 J 1/4W	
R19			RK73GB2A333J	CHIP R 33K J 1/10W		R505-507			RK73GB2A000JX	CHIP R 0.0 J 1/10W	
R20			RK73GB2A104J	CHIP R 100K J 1/10W		R851-853			RK73GB2A472J	CHIP R 4.7K J 1/10W	
R21			RK73GB2A123J	CHIP R 12K J 1/10W		R854-857	*		RK73PB2H3R0J	CHIP R 3.0 J 1/2W	
R22			RK73GB2A183J	CHIP R 18K J 1/10W		S1			S68-0823-05	PUSH SWITCH	
R25			RK73GB2A113J	CHIP R 11K J 1/10W		S2			S70-0838-05	TACT SWITCH	
R26			RK73EB2E123J	CHIP R 12K J 1/4W		S3			S68-0823-05	PUSH SWITCH	
R53,54			RK73GB2A681J	CHIP R 680 J 1/10W		D1			DAP202K	DIODE	
R57,58			RK73GB2A223J	CHIP R 22K J 1/10W		D3,4			UDZS5.6B	ZENER DIODE	
R59			RK73GB2A274J	CHIP R 270K J 1/10W		D5	*		MAZS0750M	ZENER DIODE	
R60,61			RK73EB2E101J	CHIP R 100 J 1/4W		D7			UDZS5.6B	ZENER DIODE	
R67			RK73GB2A124J	CHIP R 120K J 1/10W		D8	*		MAZS0620M	ZENER DIODE	
R68			RK73EB2E124J	CHIP R 120K J 1/4W		D9,10			D1F60-5063	DIODE	
R69,70			RK73GB2A303J	CHIP R 30K J 1/10W		D11			1SR154-400	DIODE	
R71			RK73GB2A912J	CHIP R 9.1K J 1/10W		D12			DA204U	DIODE	
R72,73			RK73GB2A101J	CHIP R 100 J 1/10W		D14			MAZS0910M	ZENER DIODE	
R74,75			RK73GB2A222J	CHIP R 2.2K J 1/10W		D15			DAP202K	DIODE	
R76			RK73GB2A104J	CHIP R 100K J 1/10W		D16			DAP202U	DIODE	
R77			RK73GB2A183J	CHIP R 18K J 1/10W		D21,22			DAN202K	DIODE	
R78			RK73GB2A104J	CHIP R 100K J 1/10W		D23,24			DAN202U	DIODE	
R79			RK73GB2A332J	CHIP R 3.3K J 1/10W		IC1			UPD63711AGC-A	MOS-IC	
R80			RK73GB2A102J	CHIP R 1.0K J 1/10W		IC4	*		KIA78L05F-P	ANALOGUE IC	
R81			RK73GB2A103J	CHIP R 10K J 1/10W		IC5	*		LA6576-E	ANALOGUE IC	
R82-84			RK73GB2A102J	CHIP R 1.0K J 1/10W		IC7	*		784217YGC106A	MICROCONTROLLER IC	
R85-87			RK73GB2A473J	CHIP R 47K J 1/10W		IC8			W05-1306-00	ROM IC	
R93			RK73GB2A224J	CHIP R 220K J 1/10W		IC9			S-80830CNNB-G	MOS-IC	
R95,96			RK73GB2A104J	CHIP R 100K J 1/10W		Q1			2SB0970	TRANSISTOR	
R97			RK73GB2A392J	CHIP R 3.9K J 1/10W		Q4			DTA124EK	DIGITAL TRANSISTOR	
R98			RK73GB2A103J	CHIP R 10K J 1/10W		Q5			DTA124EUA	DIGITAL TRANSISTOR	
R99			RK73GB2A104J	CHIP R 100K J 1/10W		Q6,7			DTC343TK	DIGITAL TRANSISTOR	
R100,101			RK73GB2A102J	CHIP R 1.0K J 1/10W		Q8			DTA124EK	DIGITAL TRANSISTOR	
R102			RK73GB2A104J	CHIP R 100K J 1/10W		Q9	*		2SB1202-E	TRANSISTOR	
R105,106			RK73GB2A102J	CHIP R 1.0K J 1/10W		Q10			2SB1295-E	TRANSISTOR	
R107			RK73GB2A101J	CHIP R 100 J 1/10W		Q11			DTC124EK	DIGITAL TRANSISTOR	

E2 : KDC-C719Y E3 : KDC-C719 (Europe)
K1 : KDC-C719 (North America)
M1 : KDC-C719 M3 : KDC-C719/G4 (Other Areas)

△ Indicates safety critical components.

PARTS LIST

CD PLAYER UNIT (X32-5810-00) in X92

Ref. No.	A d d	N e w	Parts No.	Description	Desti- nation
Q13			DTC124EUA	DIGITAL TRANSISTOR	
Q14			DTA143EUA	DIGITAL TRANSISTOR	
Q16			2SC4081	TRANSISTOR	
Q17			DTA143EK	DIGITAL TRANSISTOR	
Q18,19			DTC124EUA	DIGITAL TRANSISTOR	
Q20			DTC124EK	DIGITAL TRANSISTOR	
Q21		*	2SB1202-E	TRANSISTOR	
Q22			2SC4081	TRANSISTOR	
Q30			DTC114YUA	DIGITAL TRANSISTOR	
Q31			DTC124EUA	DIGITAL TRANSISTOR	
TH1		*	NCP18WB333J0S	THERMISTOR 33K	
MECHANISM ASSY (X92-5310-00) (CHM-1400W)					
1	2B	*	A10-4745-23	CHASSIS ASSY	
2	2B	*	A10-4748-32	CHASSIS CALKING ASSY	
3	2B		A10-4751-13	CHASSIS CALKING ASSY	
4	3A	*	A10-4754-14	CHASSIS CALKING ASSY	
5	2A	*	A10-4757-42	CHASSIS CALKING ASSY	
6	2A	*	A10-4759-12	CHASSIS	
7	1A	*	A10-4760-12	CHASSIS CALKING ASSY	
C75	3A		C90-5647-05	ELECTRO 0.047F 5.5WV	
11	2B		D10-4546-03	ARM	
12	2A	*	D10-4527-13	SLIDER	
13	2B	*	D10-4528-13	ARM	
14	2B	*	D10-4529-13	ARM	
15	3A	*	D10-4531-14	LEVER ASSY	
16	2A	*	D10-4533-13	LEVER	
17	2A	*	D10-4534-24	SLIDER ASSY	
18	1B	*	D10-4536-23	SLIDER	
19	3A	*	D10-4537-14	SLIDER ASSY	
20	1B	*	D10-4540-23	ARM	
21	1B		D10-4547-03	LEVER	
22	2B	*	D12-0630-12	CAM	
23	2B	*	D12-0631-12	CAM	
24	3B		D13-2185-04	GEAR	
25	3B		D13-2186-04	GEAR	
26	3B		D13-2187-04	GEAR	
27	3A		D13-2188-04	WORM	
28	2B		D13-2092-04	GEAR	
29	2B	*	D13-2093-14	GEAR ASSY	
30	2B		D13-2095-04	GEAR	
31	2B		D13-2096-04	GEAR	
32	3A		D13-2099-04	GEAR	
33	3A		D13-2100-04	GEAR	
34	3A		D13-2101-04	GEAR	
35	3A		D13-2102-04	GEAR	
36	3A		D13-2103-04	GEAR	
37	3A		D13-2104-14	GEAR	
38	3B		D19-0636-04	LEAD SCREW	
39	3A		D19-0637-04	CLUTCH ASSY	
40	3A		D39-0225-05	DAMPER	
FC1	3A		E39-0172-15	FLAT CABLE	
FC2	3A		E39-0173-35	FLAT CABLE	

Ref. No.	A d d	N e w	Parts No.	Description	Desti- nation
46	2B	*	G01-3036-14	TORSION COIL SPRING	
47	1B		G01-3037-04	EXTENSION SPRING	
48	2B		G01-3038-04	TORSION COIL SPRING	
49	3A		G01-3039-04	COMPRESSION SPRING	
50	3A		G01-3040-04	EXTENSION SPRING	
51	3A		G01-3041-04	EXTENSION SPRING	
52	1B		G01-3042-04	TORSION COIL SPRING	
53	2A		G01-3043-04	TORSION COIL SPRING	
54	1B		G01-3044-04	EXTENSION SPRING	
55	2A		G01-3045-04	EXTENSION SPRING	
56	2A		G01-3046-04	EXTENSION SPRING	
57	3B		G02-1374-04	FLAT SPRING	
58	3B		G02-1375-03	FLAT SPRING	
59	2B		G02-1376-03	FLAT SPRING	
61	2B		G02-1378-14	FLAT SPRING	
62	3A	*	G02-1380-14	FLAT SPRING	
63	2A		G10-1045-14	FELT	
68	2B		J11-0637-03	CLAMPER	
69	3B	*	J21-9592-14	MOUNTING HARDWARE	
70	1B	*	J21-9595-13	MOUNTING HARDWARE	
73	2B		J90-0759-03	GUIDE	
74	2A		J90-0992-03	RAIL	
75	2B		J90-0990-03	GUIDE	
FPC1	3B		J86-0027-05	FPC (LEAD FREE)	
A	2A	*	N09-4126-15	TAPTITE SCREW (2X3.5,CT)	
B	3A	*	N09-6392-05	TAPTITE SCREW (S2X2.5 NI)	
C	3A	*	N86-2005-48	BINDING HEAD TAPTITE SCREW	
D	2B	*	N09-4189-15	TAPTITE SCREW (1.7X1.5 ST)	
E	3B		N09-6155-15	SEMS (TAPTITE SCREW) (PT 2X6)	
F	2B	*	N09-6390-05	MACHINE SCREW (M1.7X3)	
G	3B	*	N39-1722-48	PAN HEAD MACHINE SCREW	
H	3A		N09-6108-15	TAPTITE SCREW (M2X3.5)	
J	3A		N19-2105-14	FLAT WASHER	
K	3A		N19-2058-04	FLAT WASHER	
L	1B		N19-2080-14	FLAT WASHER	
M	2B		N19-2028-04	FLAT WASHER	
N	3A	*	N09-6391-05	TAPTITE SCREW (S2X3 BLACK-NI)	
76	3A	*	R33-0207-35	SLIDE TYPE VARIABLE RESISTOR	
M1	3B	*	T42-1337-04	DC MOTOR	
M2, 3	3A	*	T42-1063-15	DC MOTOR	
Q32	3A		2SB1565(E,F)	TRANSISTOR	
PU1	3B		X93-2010-01	OPTICAL PICKUP ASSY	

E2 : KDC-C719Y E3 : KDC-C719 (Europe)

K1 : KDC-C719 (North America)

M1 : KDC-C719 M3 : KDC-C719/G4 (Other Areas)

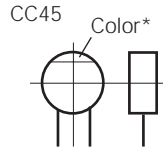
△ Indicates safety critical components.

PARTS LIST

CAPACITORS

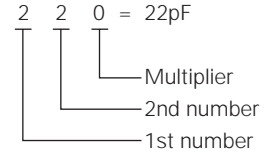
CC 45 TH 1H 220 J
1 2 3 4 5 6

- 1 = Type ... ceramic, electrolytic, etc.
- 2 = Shape ... round, square, etc.
- 3 = Temp. coefficient
- 4 = Voltage rating
- 5 = Value
- 6 = Tolerance



• Capacitor value

- 010 = 1pF
- 100 = 10pF
- 101 = 100pF
- 102 = 1000pF = 0.001μF
- 103 = 0.01μF



• Temperature coefficient

1st Word	C	L	P	R	S	T	U
Color*	Black	Red	Orange	Yellow	Green	Blue	Violet
ppm/°C	0	-80	-150	-220	-330	-470	-750

2nd Word	G	H	J	K	L
ppm/°C	±30	±60	±120	±250	±500

Example : CC45TH = -470±60ppm/°C

• Tolerance (More than 10pF)

Code	C	D	G	J	K	M	X	Z	P	No code
(%)	±0.25	±0.5	±2	±5	±10	±20	+40 -20	+80 -20	+100 -0	More than 10μF : -10~+50 Less than 4.7μF : -10~+75

(Less than 10pF)

Code	B	C	D	F	G
(pF)	±0.1	±0.25	±0.5	±1	±2

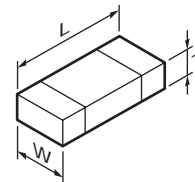
• Voltage rating

2nd word \ 1st word	A	B	C	D	E	F	G	H	J	K	V
0	1.0	1.25	1.6	2.0	2.5	3.15	4.0	5.0	6.3	8.0	-
1	10	12.5	16	20	25	31.5	40	50	63	80	35
2	100	125	160	200	250	315	400	500	630	800	-
3	1000	1250	1600	2000	2500	2150	4000	5000	6300	8000	-

• Chip capacitors

- (EX) CC 73 F SL 1H 000 J
1 2 3 4 5 6 7
- (Chip) (CH, RH, UJ, SL)
- (EX) CK 73 F F 1H 000 Z
1 2 3 4 5 6 7
- (Chip) (B, F)
- Refer to the table above.
- 1 = Type
 - 2 = Shape
 - 3 = Dimension
 - 4 = Temp. coefficient
 - 5 = Voltage rating
 - 6 = Value
 - 7 = Tolerance

• Dimension



Chip capacitor

Code	L	W	T
Empty	5.6±0.5	5.0±0.5	Less than 2.0
A	4.5±0.5	3.2±0.4	Less than 2.0
B	4.5±0.5	2.0±0.3	Less than 2.0
C	4.5±0.5	1.25±0.2	Less than 1.25
D	3.2±0.4	2.5±0.3	Less than 1.5
E	3.2±0.2	1.6±0.2	Less than 1.25
F	2.0±0.3	1.25±0.2	Less than 1.25
G	1.6±0.2	0.8±0.2	Less than 1.0
H	1.0±0.05	0.5±0.05	0.5±0.05

Chip resistor

Code	L	W	T
E	3.2±0.2	1.6±0.2	1.0
F	2.0±0.3	1.25±0.2	1.0
G	1.6±0.2	0.8±0.2	0.5±0.1
H	1.0±0.05	0.5±0.05	0.35±0.05

• Rating wattage

Code	Wattage	Code	Wattage	Code	Wattage
1J	1/16W	2C	1/6W	3A	1W
2A	1/10W	2E	1/4W	3D	2W
2B	1/8W	2H	1/2W		

RESISTORS

• Chip resistor (Carbon)

- (EX) RD 73 E B 2B 000 J
1 2 3 4 5 6 7
- (Chip) (B, F)

• Carbon resistor (Normal type)

- (EX) RD 14 B B 2C 000 J
1 2 3 4 5 6 7

- 1 = Type
- 2 = Shape
- 3 = Dimension
- 4 = Temp. coefficient
- 5 = Rating wattage
- 6 = Value
- 7 = Tolerance

SPECIFICATIONS

Disc section

Laser diode	GaAlAs ($\lambda=780\text{nm}$)
Digital filter	8 Times Over Sampling
D/A Converter	1Bit
Spindle speed	500~200rpm (CLV)
Wow & Flutter	Below Measurable Limit
Frequency response	5Hz~20kHz ($\pm 1\text{dB}$)
Total harmonic distortion	0.005% (1kHz)
S/N ratio	100dB
Dynamic range	94dB
Channel separation	96dB

General

Operating voltage	14.4V (11~16V)
Current consumption	0.8A
Installation Size (W x H x D)	250 x 80 x 176 mm (9-13/16 x 3-1/8 x 6-13/16 inch)
Weight	2.0kg (4.4 lbs)

KENWOOD follows a policy of continuous advancements in development.
For this reason specifications may be changed without notice.

DANGER:
Please do not look the laser beam directly during re-
pair or operation check.

