

KFC-P522

SERVICE MANUAL

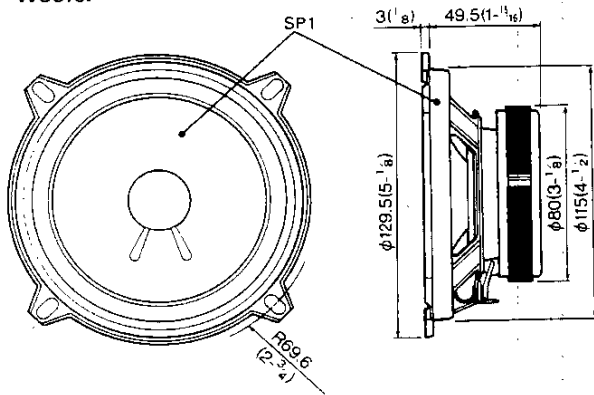
KENWOOD

Q.C.

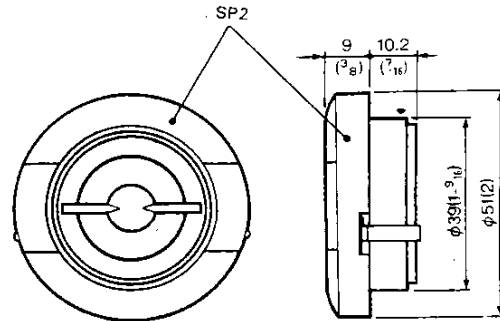
©1992.4 PRINTED IN JAPAN
B51-6469-00 (MC) 1519

EXTERNAL VIEW

Woofer



Tweeter

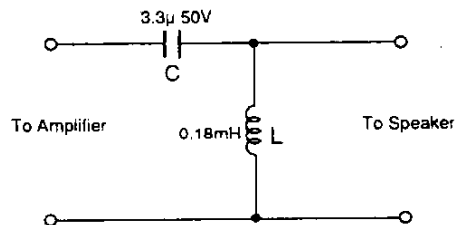


PARTS INCLUDED

- 1 $\phi 4 \times 16 (\phi 3/16 \times 5/8)$ X 8
- 2 $\phi 4 \times 12 (\phi 3/16 \times 1/2)$ X 4
- 3 M4 x 6 (M3/16 x 1/4) X 2
- 4 X 4
- 5 X 4
- 6 M4 (M3/16) X 8
- 7 M4 (M3/16) X 8
- 8 M4 (M3/16) X 8
- 9 X 2
- 10 X 2
- 11 X 2
- 12 15cm (0.5ft) X 2
- 13 2m (6.5ft) X 2
- 14 5m (16.4ft) X 2

NETWORK

* This network is for the connection cords in the tweeter.



PARTS LIST

★ New parts

Parts without **Parts No.** are not supplied.

Les articles non mentionnés dans le **Parts No.** ne sont pas fournis.

Teile ohne **Parts No.** werden nicht geliefert.

Ref. No.	New Parts	Parts No.	Description
SP1	★	T10-0556-08	SPEAKER (WOOFER)
SP2	★	T03-0402-08	SPEAKER (TWEETER)
① ~ ⑧	★	N99-1225-08	SCREW SET
⑨	★	J21-8093-08	BRACKET (A)
⑩	★	J21-8095-08	BRACKET (B)
⑪	★	J21-8096-08	BRACKET (C)
⑫ ~ ⑭	★	E30-5121-08	CORD SET