

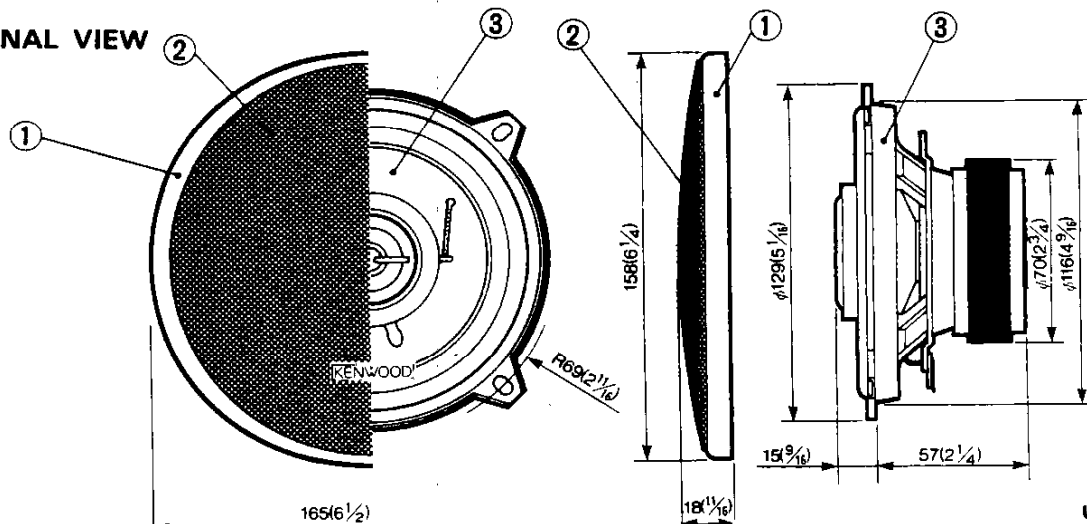
KFC-S130

SERVICE MANUAL

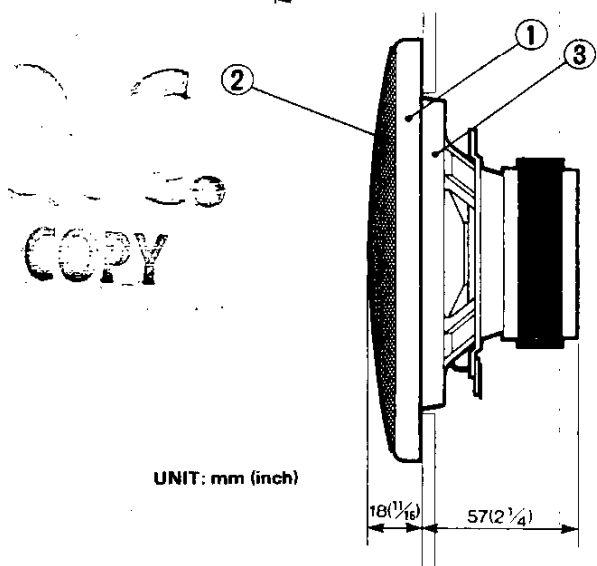
KENWOOD

©1989-1 PRINTED IN JAPAN
B51-3784-00(B)1160

EXTERNAL VIEW






UNIT: mm (inch)



UNIT: mm (inch)

PARTS INCLUDED

-  4.5m (15ft) X 2
-  $\phi 4-20$ (3/16-3/4) X 8
-  X 8

PARTS LIST

★ New parts
Parts without **Parts No.** are not supplied.
Les articles non mentionnés dans le **Parts No.** ne sont pas fournis.
Teile ohne **Parts No.** werden nicht geliefert.

Ref No.	New Parts	Parts No.	Description
①	★	B06-0285-08 B46-0100-10	FRONT GRILLE WARRANTY CARD
②	★	E30-1181-08 F09-0863-08	CORD SET PROTECTOR
③	★	N99-1088-08 T15-0128-08	SCREW SET SPEAKER

SPECIFICATIONS

- Speakers
- Woofer 13cm(5 1/4in) Water proof
P-P cone type
230g(8oz) Magnet
 - Tweeter 2.5cm(1in) Balanced dome type
 - Peak power 80Watts
 - Frequency Response 45Hz ~ 22,000Hz
 - Sensitivity 90dB/W at 1m
 - Impedance 4 ohms
 - Weight per speaker with grille 0.83kgf(1 lb 13 oz)/pc

We follow a policy of advancements in development.
For this reason specifications may be changed without notice.