

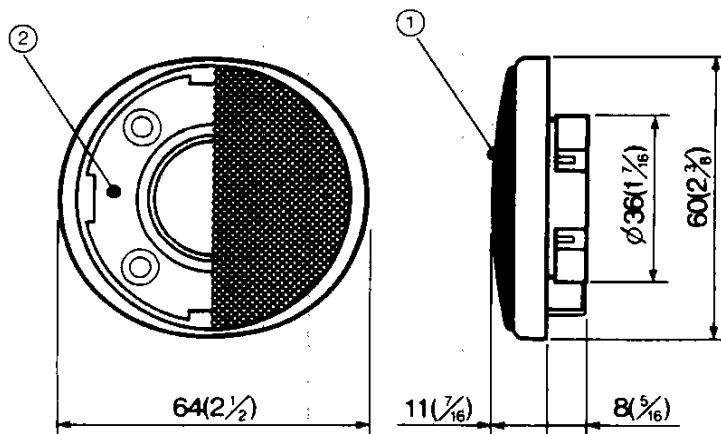
KFC-T101

SERVICE MANUAL

KENWOOD

© 1988-1 PRINTED IN JAPAN
B51-3423-10 (G) 2010

EXTERNAL VIEW



Unit: mm (inch)

PARTS INCLUDED

- $\phi 4 \times 30$ ($\phi 3/16 \times 1-3/16$) $\times 8$
- $\phi 4 \times 20$ ($\phi 3/16 \times 13/16$) $\times 8$
- $\times 8$
- $\times 2$

SPECIFICATIONS

- Speaker 25 mm (1 in) dome type
0.47 oz magnet
- Peak input power 120 Watts
- Sensitivity 88dB/W at 1m
- Frequency response 2,000Hz to 20,000Hz
- Resonant frequency (fo) 1,500Hz
- Impedance 4 ohms
- Weight per speaker with grille ... 110g (3.9oz)/pc

We follow a policy of advancements in development.
For this reason specifications may be changed without notice.

PARTS LIST

★ New parts
Parts without **Parts No.** are not supplied.
Les articles non mentionnes dans le **Parts No.** ne sont pas fournis.
Teile ohne **Parts No.** werden nicht geliefert.

Ref No.	New Parts	Parts No.	Description
		B46-0100-10	WARRANTY CARD
①	★	F09-0839-08	SCREEN
	★	J39-0225-08	SPACER
	★	N99-1063-08	SCREW SET
②	★	T03-0261-08	SPEAKER (TWEETER)

Q.C.
COPY