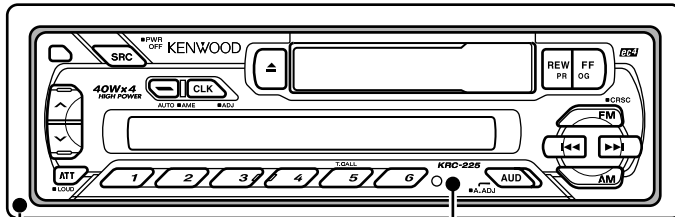


# KRC-225/235 KRC-265/S

## SERVICE MANUAL

© 2001-11 PRINTED IN KOREA  
B51-7854-00 (K) 1748

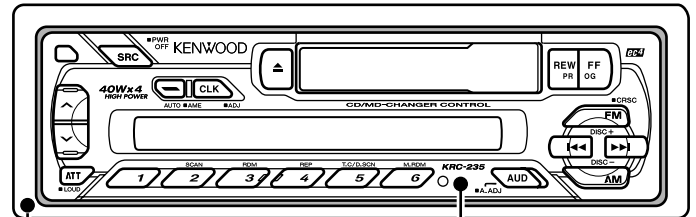
### KRC-225



Escutcheon  
(B07-2124-02)

Panel assy  
(A64-2506-02)

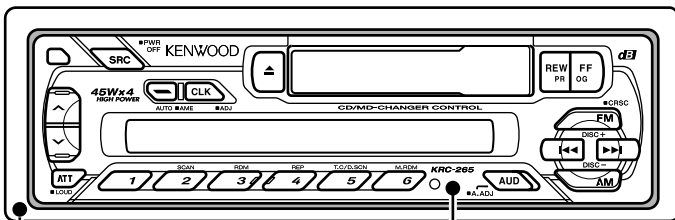
### KRC-235



Escutcheon  
(B07-2124-02)

Panel assy  
(A64-2505-02)

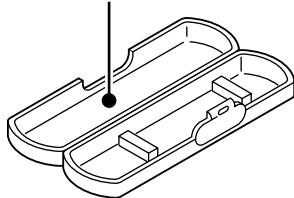
### KRC-265/S



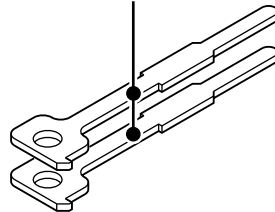
Escutcheon  
(B07-2124-02):KRC-265  
(B07-3049-02):KRC-265S

Panel assy  
(A64-2507-02):KRC-265  
(A64-2634-02):KRC-265S

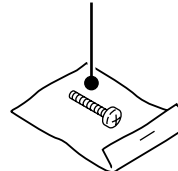
Plastic cabinet assy  
(A02-1486-13)



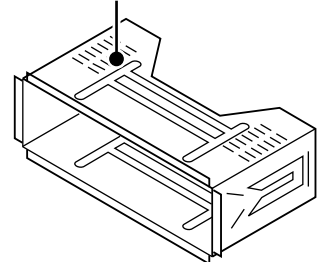
Lever  
(D10-3031-04)x2



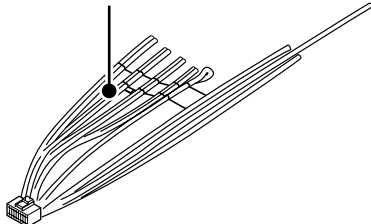
Screw set  
(N99-1610-15)



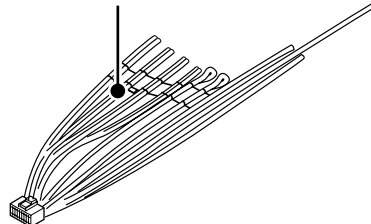
Mounting hardware assy  
(J21-9491-13)



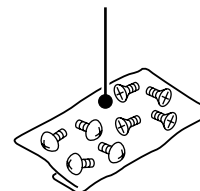
DC cord  
(E30-4783-05):KRC-225/235



DC cord  
(E30-4784-05):KRC-265/S

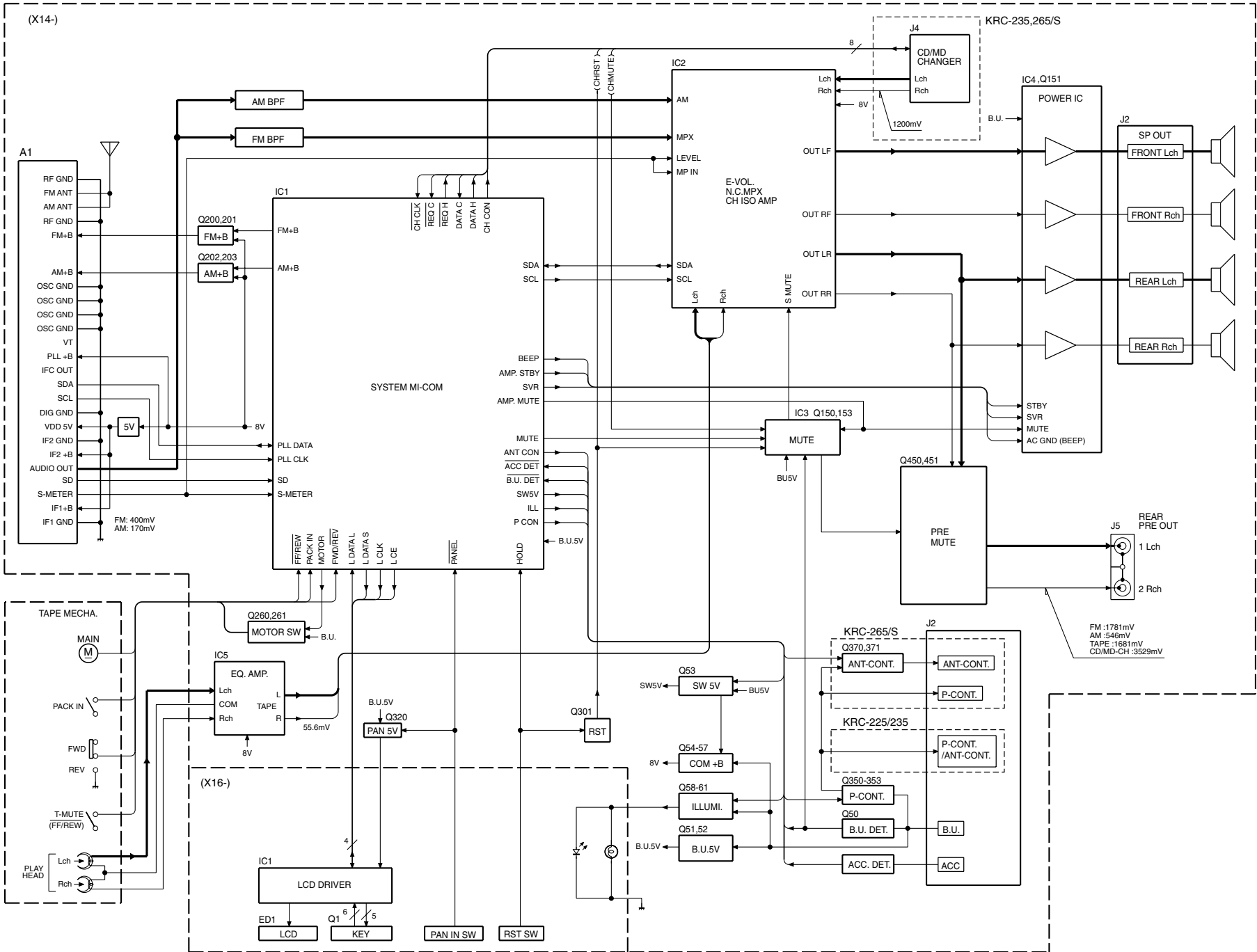


Screw set  
(N99-1719-05)



# KRC-225/235/265/265S

## BLOCK DIAGRAM



## COMPONENT DESCRIPTION

### ●SWITCH UNIT(X16-1490-XX)

Ref.No.	Component Name	Application/Function	Operation/Condition/Compatibility
IC1	LC75853NE	LCD driver with key-matrix	
Q1	DTA114EK or UN2111 or KRA102S	Key-matrix permission SW	Ready on key-matrix

### ●SYNTHESIZER UNIT(X14-6850-XX)

Ref.No.	Component Name	Application/Function	Operation/Condition/Compatibility
IC1	LC72366-9592	System MI-COM.	System control
IC2	TDA7461ND	E-VOL. & N.C. MPX	Controls sound volume. Selects each source.
IC3	HD74HC27FP	Mute logic	3-input NOR gate x 3
IC4	TDA7384A or TDA7386	Power IC	Amplifies power so that the speaker can drive audio signal.
IC5	LA3161	Equalizer amplifier	Equalizer amplifier for cassette tape sound
Q50	2SC2412K or 2SD601A	BACK-UP detection (Momentary power down detection) SW	While BACK-UP is added, a base becomes Hi, and Q50 is turned on.
Q51	2SB1443	BACK-UP 5V AVR	While BACK-UP is added, AVR outputs +5V. Q51 and Q52 is inverted Darlington connection.
Q52	2SC2412K or 2SD601A		
Q53	DTA114YK or UN2114 or KRA107S	P.ON 5V SW	While a base becomes Lo, Q53 is turned on.
Q54	DTC144EK or UN2213 or KRC104S	COM+B SW	While Q54's base becomes Hi, Q55 is turned on.
Q55	DTA124EK or UN2112 or KRA103S		Works during POWER ON mode.
Q56	2SA2057 or 2SB1548 (P) or 2SB1565(E,F) or 2SB1655(E,F)	COM+B AVR	While Q57's base becomes Hi, Q56 is turned on.
Q57	2SC2412K or 2SD601A		Q56 and Q57 is inverted Darlington connection.
Q58	DTC144EK or UN2213 or KRC104S	Illumination +B SW	While Q58's base becomes Hi, Q59 is turned on.
Q59	DTA124EK or UN2112 or KRA103S		Works during POWER ON mode with a panel attached to the set.
Q60	2SA2057 or 2SB1548 (P) or 2SB1565(E,F) or 2SB1655(E,F)	Illumination +B driver	While Q61's base becomes Hi, Q60 is turned on.
Q61	2SC2412K or 2SD601A		Q60 and Q61 is inverted Darlington connection.
Q150	DTC124EK or UN2212 or KRC103S	Electric volume mute SW	When BACK-UP detection SW or CHANGER RESET SW or MI-COM.'s mute works, a base becomes Hi, and Q150 is turned on.
Q151	DTC114YK or UN2214 or KRC107S	SVR discharge SW	When POWER IC RESET is activated, a base becomes Hi, Q151 is turned on.
Q153	DTA124EK or UN2112 or KRA103S	Pre-out mute driver	When BACK-UP detection SW or CHANGER RESET SW or MI-COM.'s mute works, a base becomes Lo, and Q153 is turned on.
Q200	DTC124EK or UN2212 or KRC103S	FM +B SW	Q201 is turned on when Q200's base becomes Hi.
Q201	2SB1277(Q,R)		Works during FM reception mode.
Q202	DTC124EK or UN2212 or KRC103S	AM +B SW	Q203 is turned on when Q202's base becomes Hi.
Q203	2SB1277(Q,R)		Works during AM reception mode.

# KRC-225/235/265/265S

## COMPONENT DESCRIPTION

### ●SYNTHESIZER UNIT(X14-6850-XX)

Ref.No.	Component Name	Application/Function	Operation/Condition/Compatibility
Q260	DTC114YK or UN2214 or KRC107S	Motor +B SW	When Q260's base becomes Hi, Q261 is turned on.
Q261	2SB1443		Works during TAPE mode.
Q301	DTA144EK or UN2113	Changer reset SW	When a base becomes Lo, Q301 is turned on.
Q320	2SA1037K	Panel 5V SW	While a panel is attached to the set, a base becomes Lo, and Q320 is turned on.
Q350	2SB1277(Q,R)	P-CON. driver	When Q353's base becomes Hi, Q350 is turned on.
Q351	2SA1037K	P-CON. protection SW	Works when P-CON is being short-circuited on GND.
Q352	DTA124EK or UN2112 or KRA103S	P-CON. protection inhibit SW	Inhibits protection SW function when P-CON works momentary.
Q353	DTC114YK or UN2214 or KRC107S	P-CON. SW	Q353 is turned on when a base becomes Hi. Works during POWER ON mode.
Q370	2SB1277(Q,R)	ANT-CON. SW	Q370 is turned on when Q371's base becomes Hi.
Q371	DTC114YK or UN2214 or KRC107S		Works during TUNER mode.
Q450	DTC143TK or UN2216	Pre-out mute SW (R ch.)	When BACK-UP detection SW or CHANGER RESET SW or MI-COM.'s mute works, a base becomes Hi, and Q450,451 are turned on.
Q451	DTC143TK or UN2216	Pre-out mute SW (L ch.)	

# KRC-225/235/265/265S

## MICROCOMPUTER'S TERMINAL DESCRIPTION

### ●Terminal Description ( IC1 : X14-6850-XX)

Pin No.	Pin Name	I/O	Description	Processing Operation
1	XIN	I	Main clock resonator connection terminal	
2	GND	-	TEST terminal 2	Connected to GND lines.
3	L DATA L	I	Data input from the LCD driver IC	
4	L DATA S	O	Data output to the LCD driver IC	
5	L CLK	O	Clock output to the LCD driver IC	
6	L CE	O	CE output to the LCD driver IC	
7	SDA	I/O	Data input/output with the E-VOL. IC	
8	PLL DATA	I/O	Data input/output with the F/E	
9	PLL CLK	O	Clock output to the F/E	
10	SD	I	SD input from the F/E	Hi : Station detected
11	DATA C	I	Data input from changers	
12	DATA H	O	Data output to changers	
13	CH CLK	I/O	Clock input/output with changers	
14	-	O	-	N.C.(Not used)
15	MOTOR	O	Cassette motor on/off output	Hi : Motor ON
16	SCL	O	Clock output to the E-VOL. IC	
17-24	-	O	-	N.C.(Not used)
25	AM+B	O	AM+B ON/OFF output	Hi : during AM reception
26	FM+B	O	FM+B ON/OFF output	Hi : during FM reception
27	PACK IN	I	Cassette tape Pack-in detection input	Lo : Pack-in
28	FF/REW	I	FF/REW detection input	Lo : FF/REW, Hi : PLAY
29	GND	I	-	Connected to GND lines.
30	GND	I	-	Connected to GND lines.
31	VDD	-	Positive power supply connection terminal	Connected to B.U. 5V lines.
32	REQ C	I	Request input from changers	Lo : Request
33	MUTE	O	Audio mute on/off output	Hi : Mute ON
34	CH CON	O	Changer control	Lo : Standby, Hi : ON
35	REQ H	O	Request output to changers	Lo : Request
36	SVR	O	Power IC reset terminal	When the momentary power down, after ACC ON/OFF is detected and after POWER OFF, the output becomes Hi temporarily.
37	AMP STBY	O	Power IC standby control output	Hi : POWER ON mode
38	AMP MUTE	O	Power IC mute control	Lo : Mute
39	P CON	O	Power control	Hi : POWER ON mode
40	ANT CON	O	Antenna control	Hi : during FM/AM reception
41	SW5V	O	SW 5V control	Lo : POWER ON mode
42	ILL	O	Illumination AVR ON/OFF control terminal	Hi : POWER ON mode
43	-	O	-	N.C.(Not used)
44	BEEP	O	BEEP sound output	
45-47	-	O	-	N.C.(Not used)
48	ROLL OFF	I	Roll off input	Pull down to GND lines. (Not used)
49	NOISE CANCELLER	I	Noise canceller input	Pull down to GND lines. (Not used)
50	SEL1	I	Destination input 1	Lo : KDC-225, Hi : KDC-235,265/S
51	SEL2	I	Destination input 2	Lo : KDC-265/S, Hi : KDC-225,235
52	SEL3	O	Destination input 3	N.C.(Not used)
53	EQ MUTE	O	Tape equalizer mute on/off output	N.C.(Not used)
54	FWD/REV	I	FWD/REV mode detection input	Lo : REV mode
55	-	O	-	N.C.(Not used)
56	REMO	I	Data input from the remote control light sensor	KDC-225/235:Pull up to PON5V lines. (Not used) KDC-265/S:Pull down to GND lines. (Not used)
57-60	-	O	-	N.C.(Not used)

# KRC-225/235/265/265S

## MICROCOMPUTER'S TERMINAL DESCRIPTION

### ●Terminal Description ( IC1 : X14-6850-XX)

Pin No.	Pin Name	I/O	Description	Processing Operation
61	ACC DET	I	ACC detection input	Hi : ACC ON
62	B.U. DET	I	Momentary power down detection input	Hi : When momentary power down detected or B.U. OFF, Lo : B.U. ON
63	S METER	I	S-meter input from the F/E	
64	PANEL	I	Panel detaching detection input	Lo : Panel not detached
65	GND	I	-	Connected to GND lines.
66	GND	I	-	Connected to GND lines.
67	HOLD	I	MI-COM. HOLD input	Lo : Hold
68	VDD	-	VDD connection terminal	Connected to B.U. 5V lines.
69	GND	I	-	Connected to GND lines.
70	GND	I	-	Connected to GND lines.
71,72	-	O	-	N.C.(Not used)
73	VDD	-	Positive power supply connection terminal	Connected to B.U. 5V lines.
74	GND	I	-	Connected to GND lines.
75	GND	I	-	Connected to GND lines.
76	VSS	-	Ground connection terminal	Connected to GND lines.
77,78	-	O	-	N.C.(Not used)
79	GND	-	TEST terminal 1	Connected to GND lines.
80	XOUT	O	Main clock resonator connection terminal	

# KRC-225/235/265/265S

## TEST MODE

### 1. How to enter the test mode

- Reset the unit while holding the FM key and preset 6 key.
- All indication segments go ON at the beginning of the test mode.

### 2. How to release the test mode

- Simply reset the unit.
- (NOTE) The test mode is not canceled by ACC OFF, power OFF, momentary power down or the panel off.

### 3. Audio adjustment

- Set the volume level to -10dB (which is shown as "30" on the display).
- Loudness OFF.
- The BASS / TREBLE and BALANCE / FADER controls can be set to the full boost / full cut and full right / full left and full front / full rear respectively by pressing the Track Up / Track Down keys.
- Sound coordination doesn't appear for the Audio mode feed.

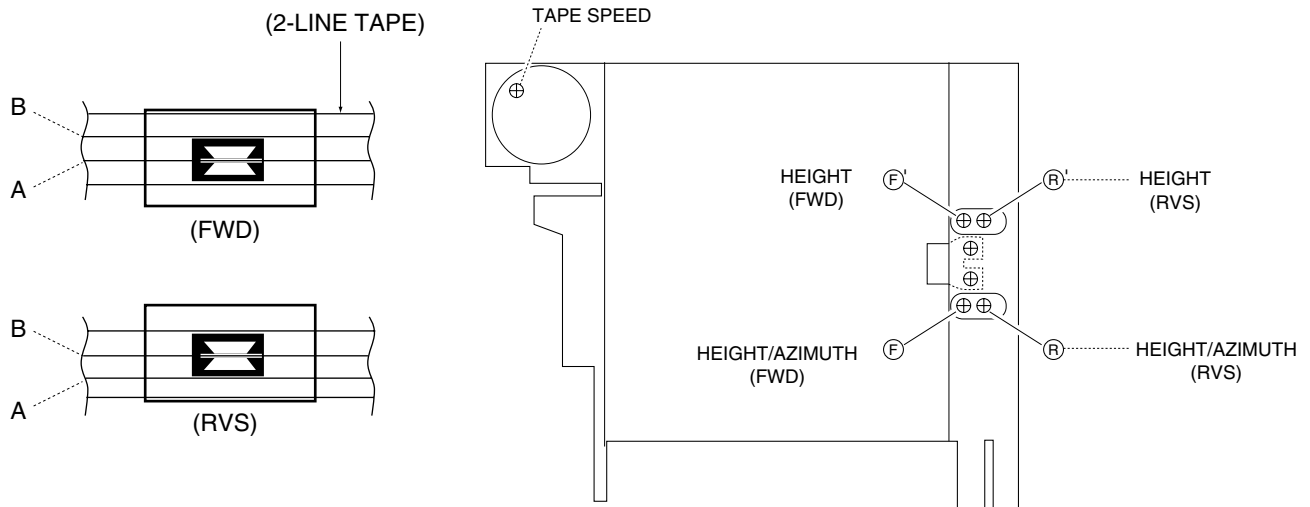
# KRC-225/235/265/265S

## ADJUSTMENT

Set the controls and switches as follows.

BALANCE : center position      BASS : center position      LOUDNESS : OFF  
 FADER : center position      TREBLE : center position

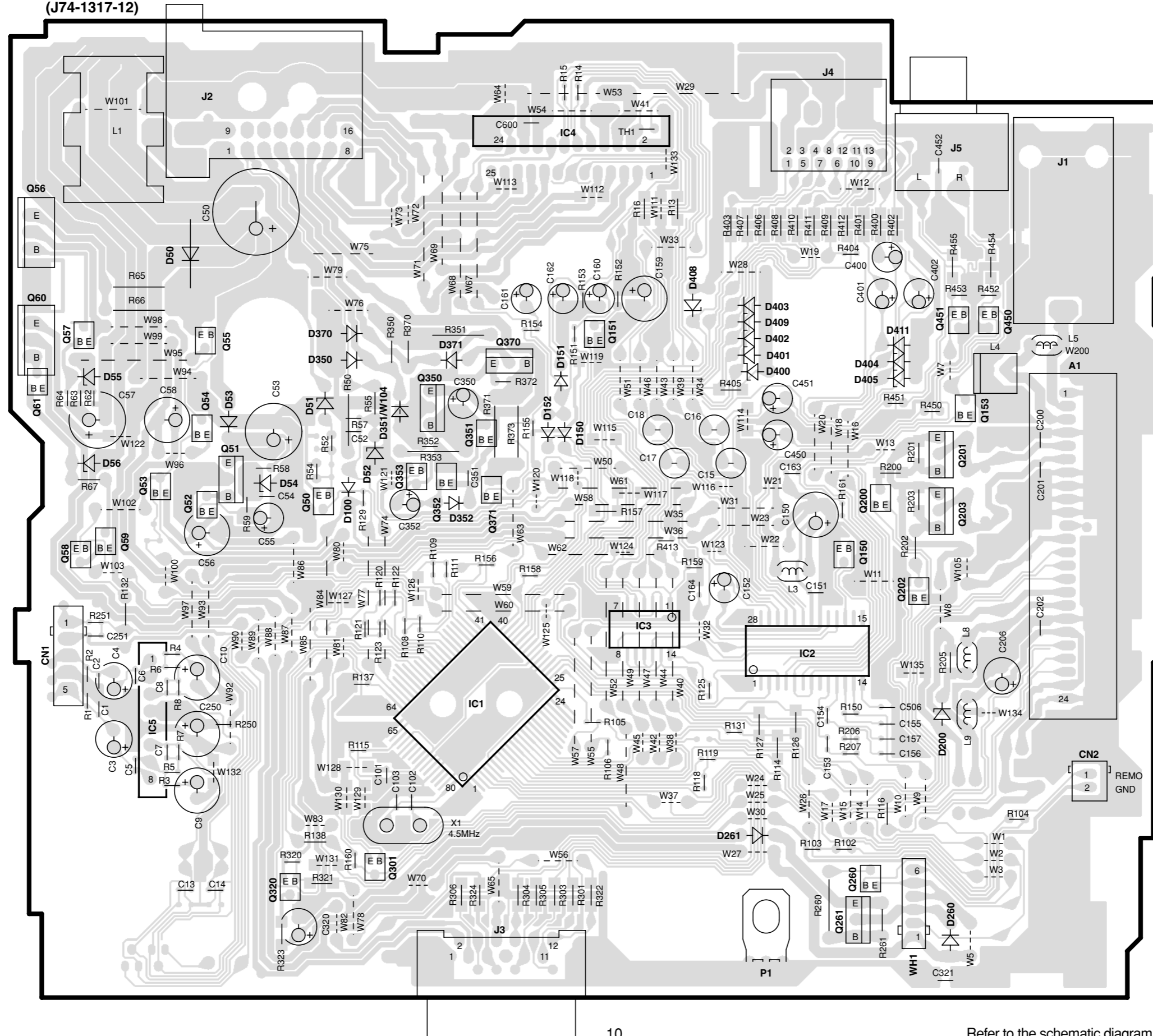
No.	ITEM	TAPE	OUTPUT SETTINGS	RECEIVER SETTINGS	ALIGNMENT POINTS	ALIGN FOR
<b>CASSETTE DECK SECTION</b>						
[1]	HEAD HEIGHT	SCC-1659	-	TAPE PLAY	Head Height Screw	1) During FWD transport adjust (F) and (F') so that line A of 2-LINE TAPE passes through the center of the head shield plate (core center area) 2) During RVS transport adjust (R) and (R') so that line B of 2-LINE TAPE passes through the center of the head shield plate (core center area) 3) After the alignment above, reverse the transport direction and check the FWD alignment again. If it is deviated, perform alignment again. (Tape used : SCC-1659, manufactured by A-BEX)
[2]	HEAD AZIMUTH	TCC-153 10kHz	Connect an AC voltmeter and oscilloscope to SP outputs.	TAPE PLAY	Head Azimuth Screw	Adjust the azimuth for each L ch/R ch or FWD/RVS becomes maximum.





# PC BOARD (Foil side view)

X14-6850-xx  
(J74-1317-12)



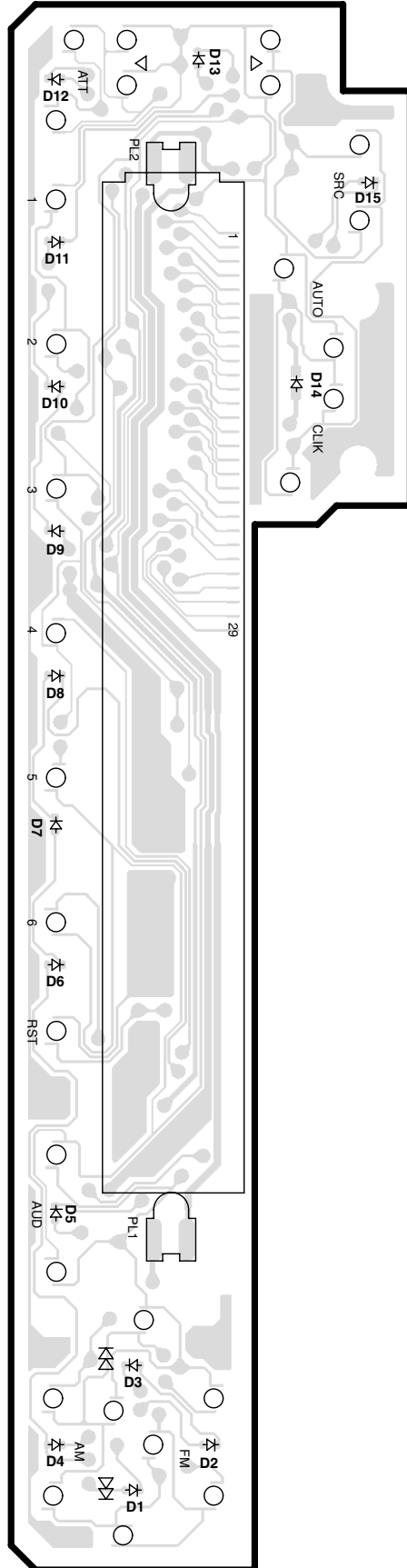
(X14-6850-xx)

Ref. No	Address
IC1	5E
IC2	5G
IC3	5F
IC4	2E
IC5	5C
Q50	4D
Q51	4C
Q52	4C
Q53	4C
Q54	3C
Q55	3C
Q56	2B
Q57	3B
Q58	4B
Q59	4C
Q60	3B
Q61	3B
Q150	4G
Q151	3F
Q153	3H
Q200	4G
Q201	4H
Q202	5G
Q203	4H
Q260	6G
Q261	6G
Q301	6D
Q320	6D
Q350	3E
Q351	4F
Q352	4E
Q353	4D
Q370	3E
Q371	4E
Q450	3H
Q451	3H

# PC BOARD

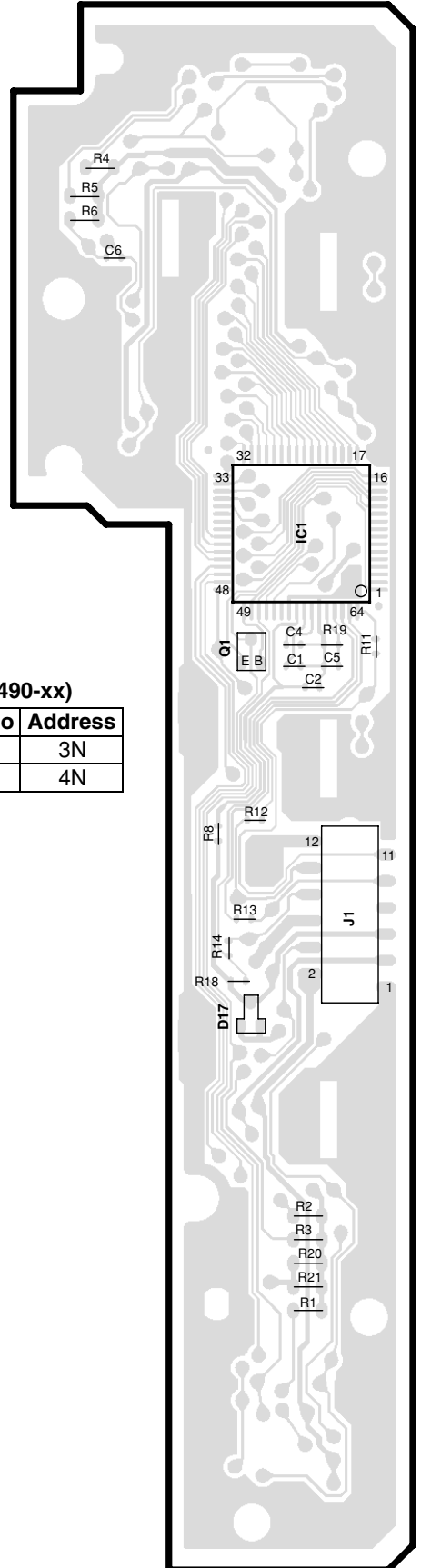
## Component side view

X16-1490-xx (J74-1298-02)



## Foil side view

X16-1490-xx (J74-1298-02)



(X16-1490-xx)

Ref. No	Address
IC1	3N
Q1	4N

Refer to the schematic diagram for the value of resistors and capacitors.

1

2

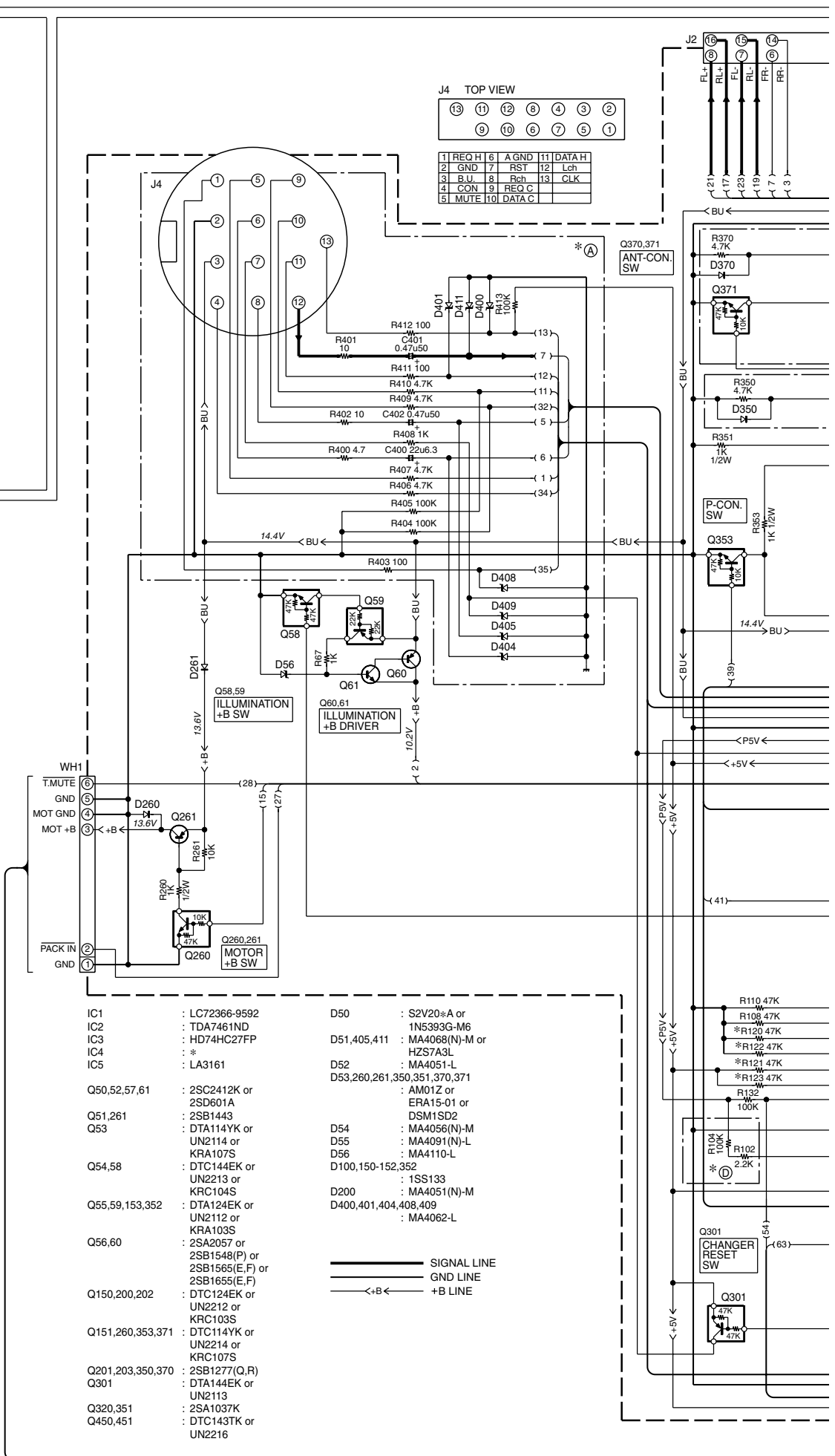
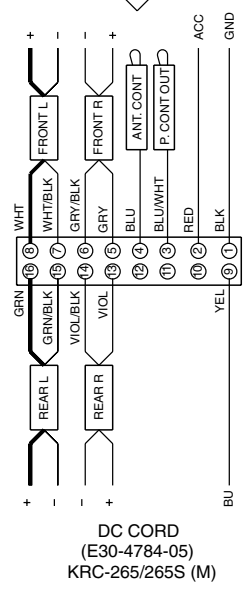
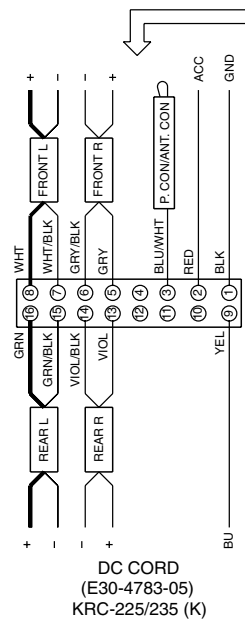
3

4

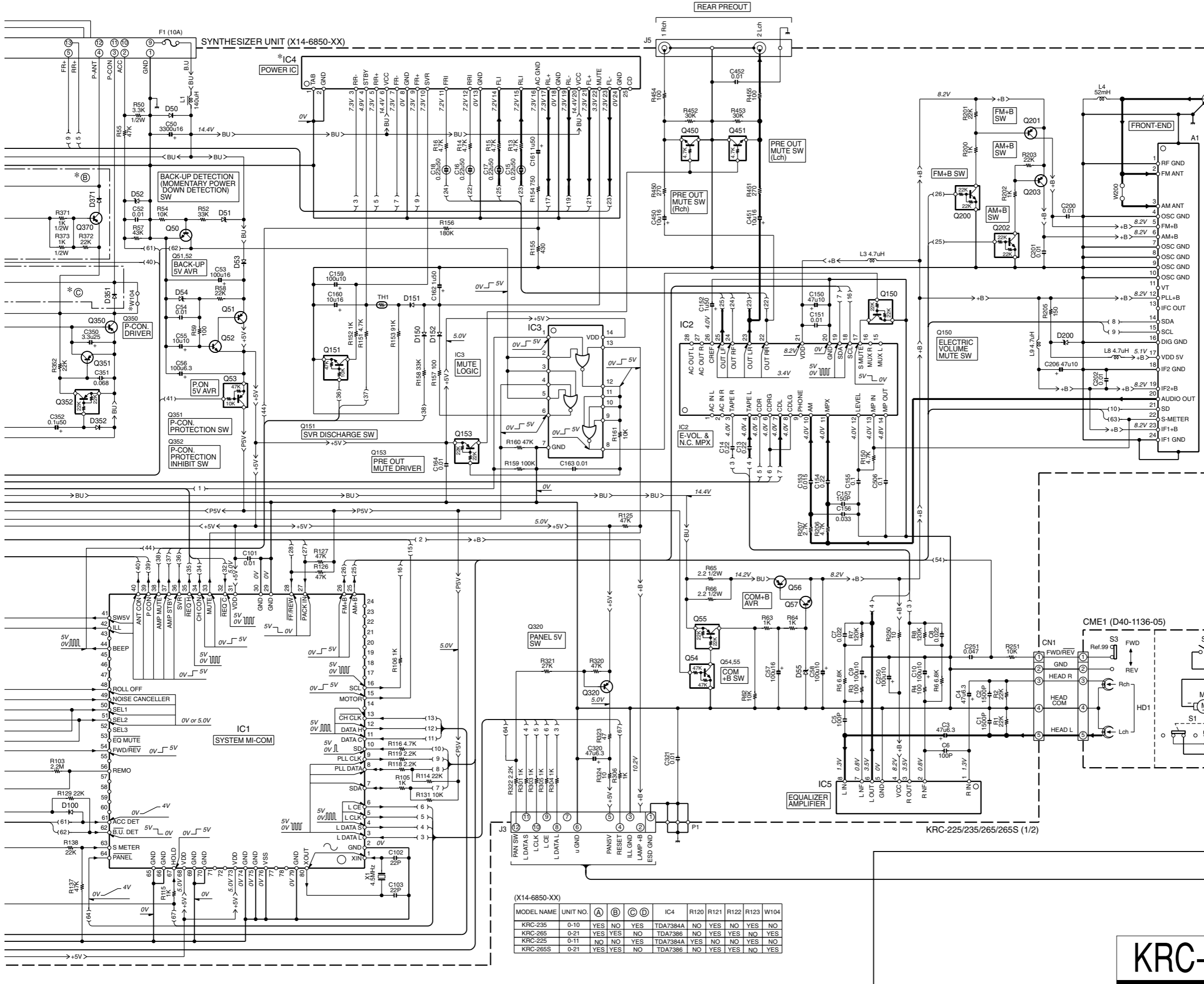
5

6

7



- |                  |   |                             |                                |
|------------------|---|-----------------------------|--------------------------------|
| IC1              | : LC72366-9592  | D50                         | : S2V20*A or 1N5393G-M6        |
| IC2              | : TDA7461ND   | D51,405,411                 | : MA4068(N)-M or HZS7A3L       |
| IC3              | : HD74HC27FP  | D52                         | : MA4051-L                     |
| IC4              | : *   | D53,260,261,350,351,370,371 | : AM01Z or ERA15-01 or DSM1SD2 |
| IC5              | : LA3161  | D54                         | : MA4056(N)-M                  |
| Q50,52,57,61     | : 2SC2412K or 2SD601A                                   | D55                         | : MA4091(N)-L                  |
| Q51,261          | : 2SB1443   | D56                         | : MA4110-L                     |
| Q53              | : DTA114YK or UN2114 or KRA107S                         | D100,150-152,352            | : 1SS133                       |
| Q54,58           | : DTC144EK or UN2213 or KRC104S                         | D200                        | : MA4051(N)-M                  |
| Q55,59,153,352   | : DTA124EK or UN2112 or KRA103S                         | D400,401,404,408,409        | : MA4062-L                     |
| Q56,60           | : 2SA2057 or 2SB1548(P) or 2SB1565(E,F) or 2SB1655(E,F) |                             |                                |
| Q150,200,202     | : DTC124EK or UN2212 or KRC103S                         |                             |                                |
| Q151,260,353,371 | : DTC114YK or UN2214 or KRC107S                         |                             |                                |
| Q201,203,350,370 | : 2SB1277(Q,R)  |                             |                                |
| Q301             | : DTA144EK or UN2113                                    |                             |                                |
| Q320,351         | : 2SA1037K  |                             |                                |
| Q450,451         | : DTC143TK or UN2216                                    |                             |                                |
- SIGNAL LINE  
— GND LINE  
— <+B — +B LINE



**CAUTION:** For continued safety, replace safety critical components only with manufacturer's recommended parts (refer to parts list).  $\Delta$  indicates safety critical components. For continued protection against risk of fire, replace only with same type and rating fuse(s). To reduce the risk of electric shock, leakage-current or resistance measurements shall be carried out (exposed parts are acceptably insulated from the supply circuit) before the appliance is returned to the customer.

Manufacture under license from Dolby Laboratories. "Dolby" and the double-D symbol are trademarks of Dolby Laboratories.

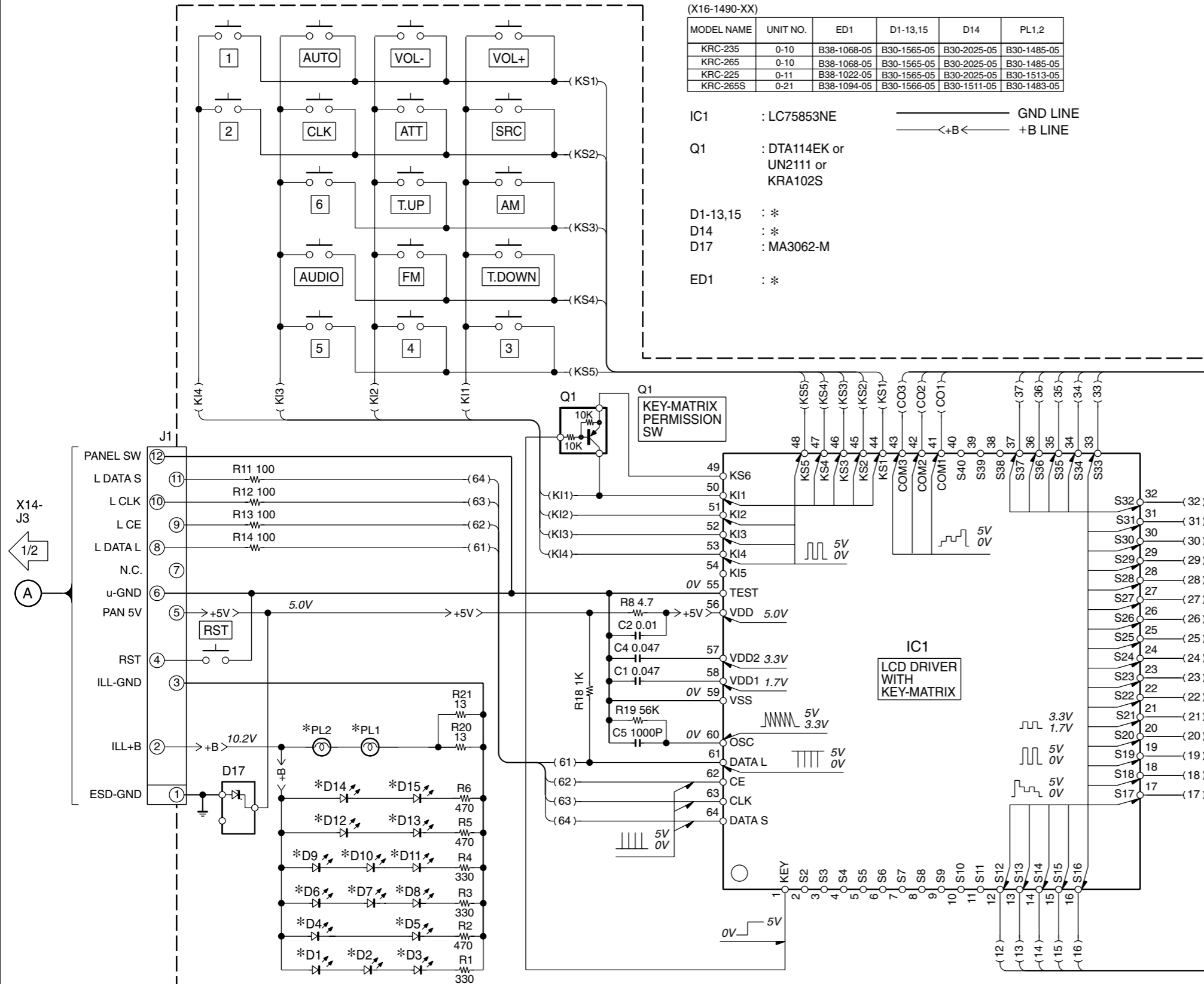
(X14-6850-XX)

MODEL NAME	UNIT NO.	A	B	C	D	IC4	R120	R121	R122	R123	W104
KRC-235	0-10	YES	NO	YES		TDA7384A	NO	YES	NO	YES	NO
KRC-265	0-21	YES	YES	NO		TDA7386	NO	YES	YES	NO	YES
KRC-225	0-11	NO	NO	YES		TDA7384A	YES	NO	NO	YES	NO
KRC-265S	0-21	YES	YES	NO		TDA7386	NO	YES	YES	NO	YES

# KRC-225/235/265/265S

**KENWOOD**

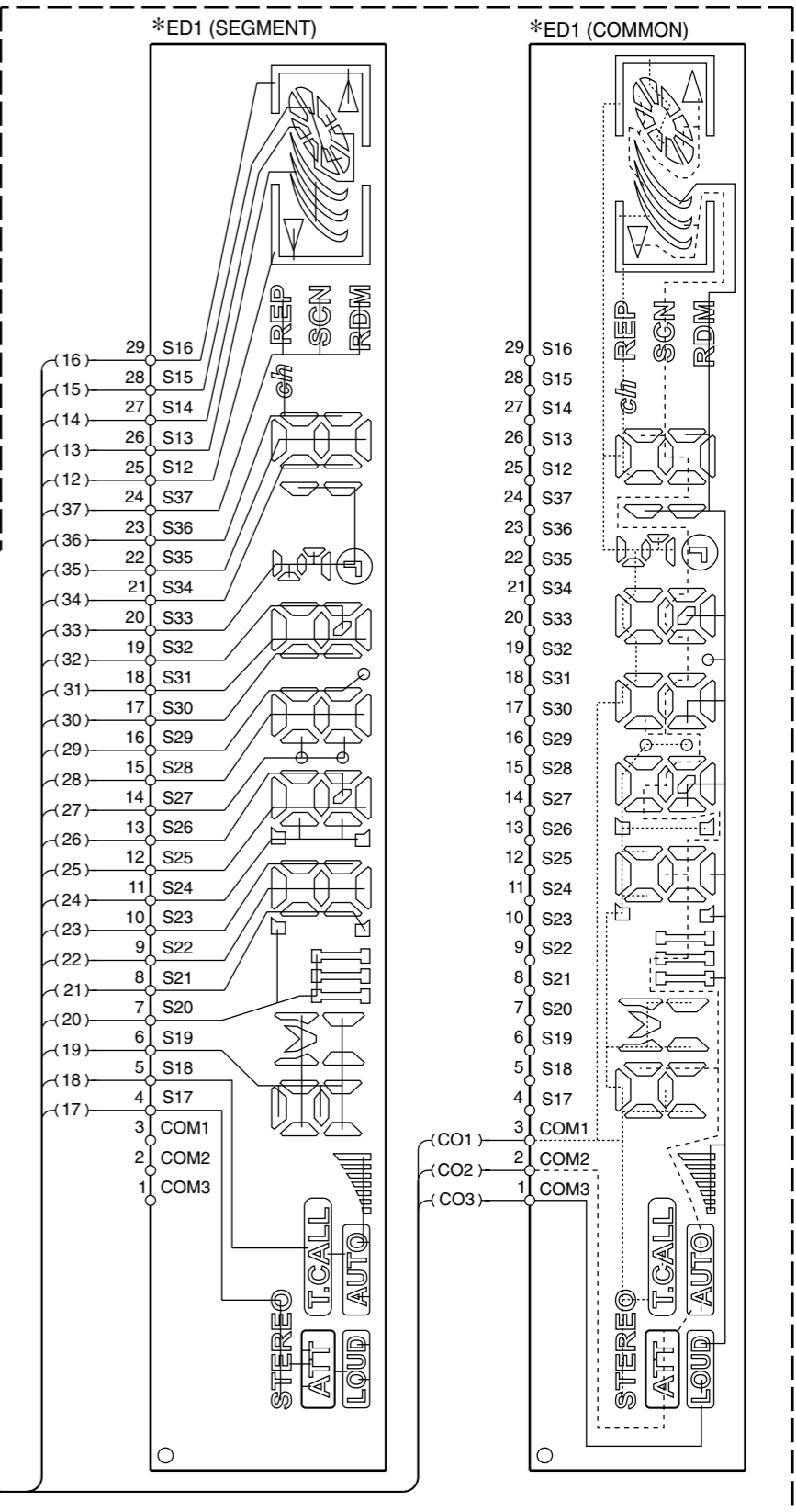
SWITCH UNIT (X16-1490-XX)



(X16-1490-XX)

MODEL NAME	UNIT NO.	ED1	D1-13,15	D14	PL1,2
KRC-235	0-10	B38-1068-05	B30-1565-05	B30-2025-05	B30-1485-05
KRC-265	0-10	B38-1068-05	B30-1565-05	B30-2025-05	B30-1485-05
KRC-225	0-11	B38-1022-05	B30-1565-05	B30-2025-05	B30-1513-05
KRC-265S	0-21	B38-1094-05	B30-1566-05	B30-1511-05	B30-1483-05

IC1 : LC75853NE  
 Q1 : DTA114EK or UN2111 or KRA102S  
 D1-13,15 : \*  
 D14 : \*  
 D17 : MA3062-M  
 ED1 : \*



KRC-225/235/265/265S (2/2)

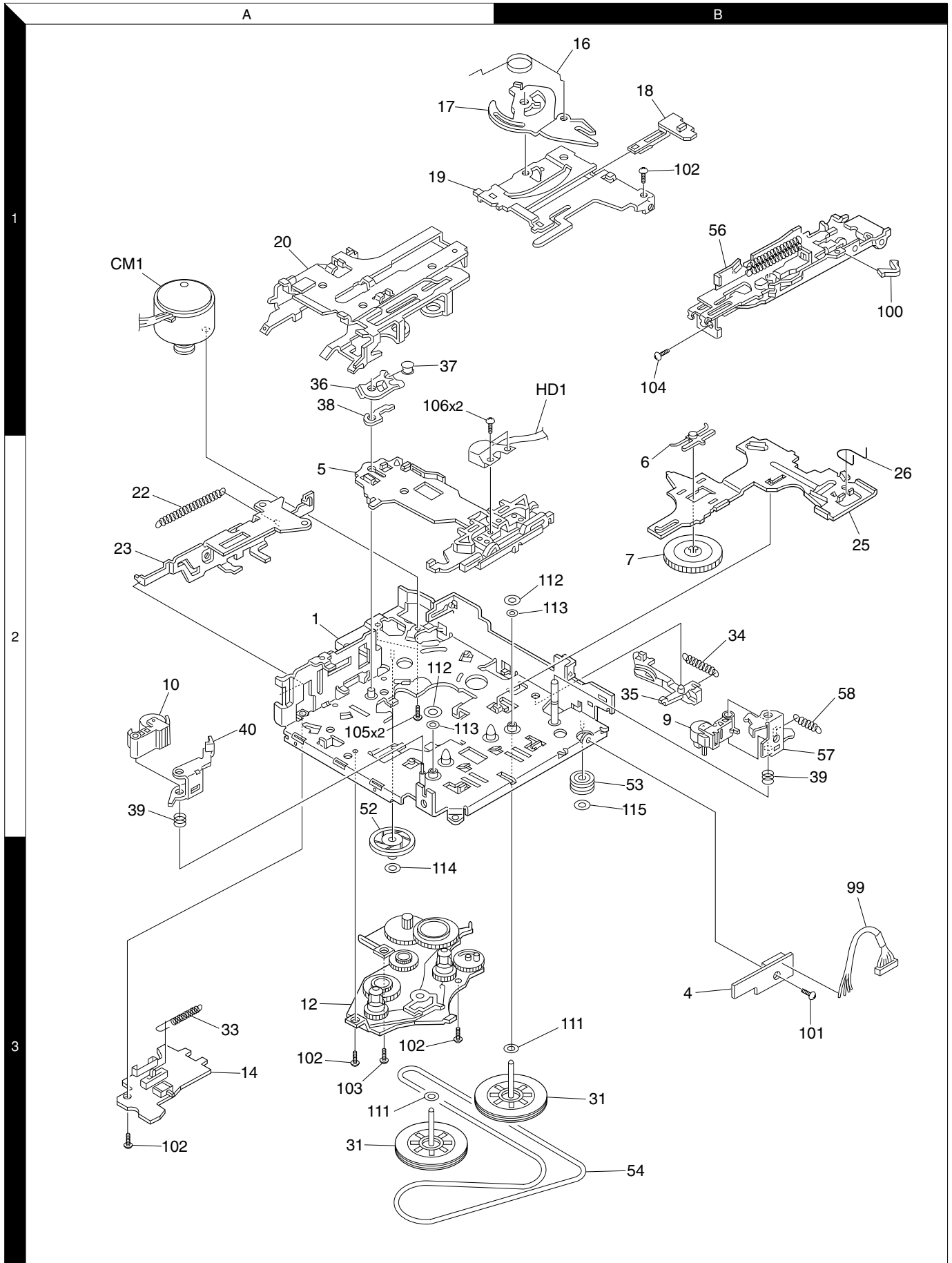
- 2SB1565
- DTA114EK
- DTA114YK
- DTA124EK
- DTA144EK
- DTC114YK
- DTC124EK
- DTC143TK
- DTC144EK
- KRC103S
- 2SC2412K
- 2SB1548
- 2SB1277
- 2SB1443
- 2SA1037K
- KRA102S
- KRC104S
- LA3161

**CAUTION:** For continued safety, replace safety critical components only with manufacturer's recommended parts (refer to parts list). ⚠ indicates safety critical components. For continued protection against risk of fire, replace only with same type and rating fuse(s). To reduce the risk of electric shock, leakage-current or resistance measurements shall be carried out (exposed parts are acceptably insulated from the supply circuit) before the appliance is returned to the customer.

**KRC-225/235/265/265S**  
**KENWOOD**

# KRC-225/235/265/265S

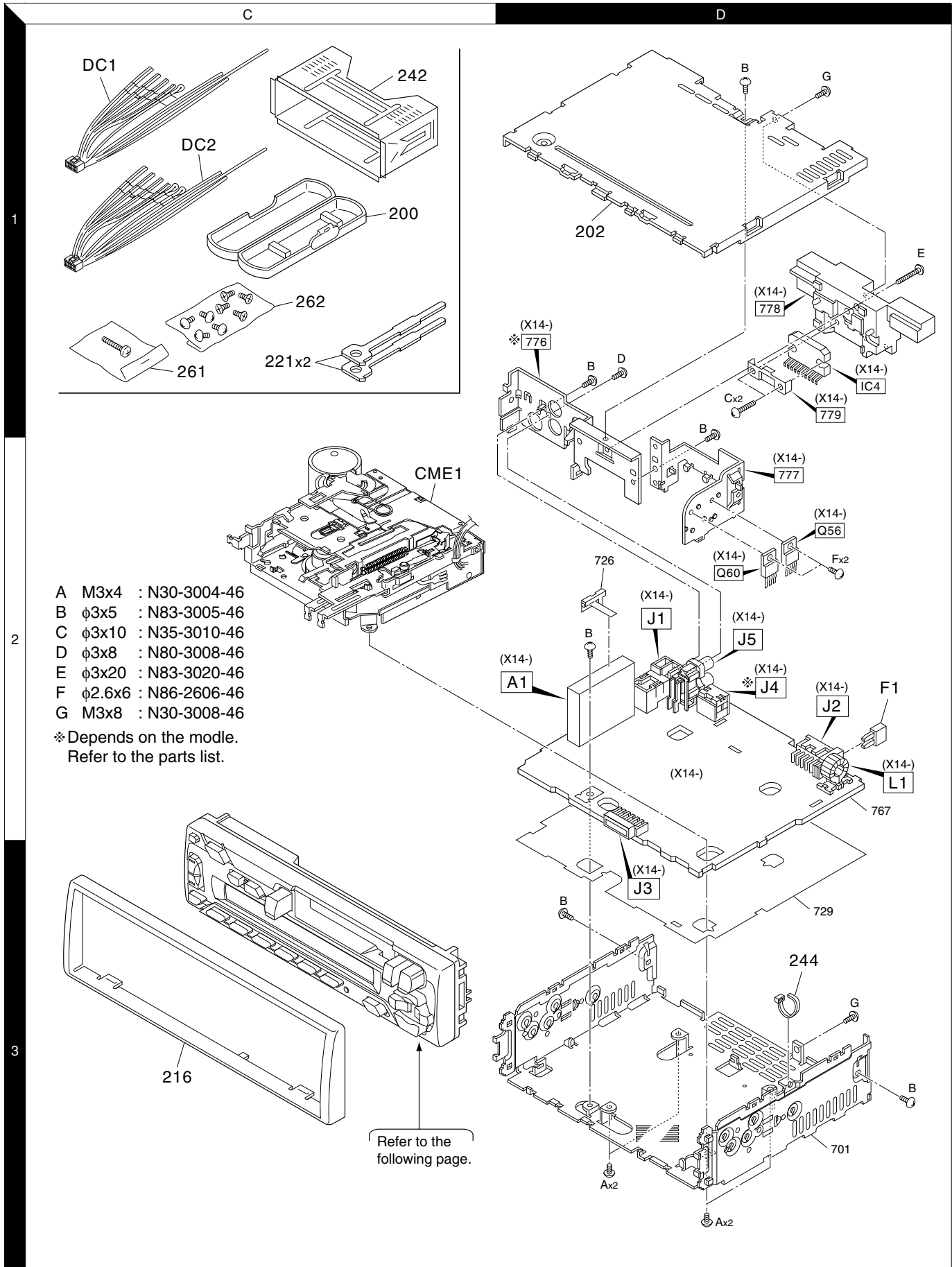
## EXPLODED VIEW(MECHANISM)



Parts with exploded numbers larger than 700 are not supplied.

# KRC-225/235/265/265S

## EXPLODED VIEW(UNIT)







# KRC-225/235/265/265S

## PARTS LIST

\* New Parts

Parts without **Parts No.** are not supplied.

Les articles non mentionnés dans le **Parts No.** ne sont pas fournis.

Teile ohne **Parts No.** werden nicht geliefert.

Ref.No.	A d d	N e w	Parts No.	Description	Dest inati on
<b>KRC-225/235/265/265S</b>					
200	1C		A02-1486-13	PLASTIC CABINET ASSY	
202	1D		A52-0756-02	TOP PLATE	
204	1F		A22-2386-13	SUB PANEL ASSY	
206	2F	*	A46-1748-01	REAR COVER	
CL1	1F		A53-1638-13	CASSETTE LID	
PA1	3E	*	A64-2505-02	PANEL ASSY	K
PA1	3E	*	A64-2506-02	PANEL ASSY	K1
PA1	3E	*	A64-2507-02	PANEL ASSY	M1
PA1	3E	*	A64-2634-02	PANEL ASSY	M5
216	3C		B07-2124-02	ESCUTCHEON	KK1M1
216	3C	*	B07-3049-02	ESCUTCHEON	M5
-			B46-0100-50	WARRANTY CARD	
-			B46-0606-04	ID CARD	
-			B58-1344-04	CAUTION CARD	K
-			B58-1365-04	CAUTION CARD	
-		*	B64-2101-00	INST. MANUAL (ENG,FRE,SPA,POR)	KK1
-		*	B64-2102-00	INST. MANUAL (ENG,T-CHI)	M1M5
-		*	B64-2103-00	INST. MANUAL (ARABIC)	M1M5
-		*	B64-2192-00	INST. MANUAL (S-CHI)	M1
221	1C		D10-3031-04	LEVER	
222	1F		D10-4446-03	LEVER	
223	1F		D10-4447-03	LEVER	
224	1F		D21-2329-04	SHAFT	
CME1	2C		D40-1136-05	CASSETTE MECHANISM ASSY	
227	3F	*	E29-1869-02	CONDUCTIVE RUBBER	
△ DC1	1C		E30-4783-05	DC CORD	KK1
△ DC2	1C		E30-4784-05	DC CORD	M1M5
△ F1	2D		F52-0006-05	FUSE(MINI BLADE TYPE) (10A)	
△ F1	2D		F52-0011-05	FUSE(MINI BLADE TYPE) (10A)	
231	1F		G01-2525-04	TORSION COIL SPRING	
232	3F		G01-2793-14	COMPRESSION SPRING	
233	1F		G01-2987-04	TORSION COIL SPRING	
234	1F		G01-2988-04	EXTENSION SPRING	
235	2F		G01-2990-04	COMPRESSION SPRING	
-			H10-4685-12	POLYSTYRENE FOAMED FIXTURE	
-			H25-0329-04	PROTECTION BAG (280X450X0.03)	
-			H25-0337-04	PROTECTION BAG (180X300X0.03)	
-		*	H54-2227-03	ITEM CARTON CASE	K
-		*	H54-2228-03	ITEM CARTON CASE	K1
-		*	H54-2229-03	ITEM CARTON CASE	M1
-		*	H54-2313-03	ITEM CARTON CASE	M5
241	3E	*	J19-5125-02	HOLDER	
242	1C		J21-9491-13	MOUNTING HARDWARE ASSY	
244	3D		J61-0307-05	WIRE BAND	
251	3E	*	K24-3817-03	KNOB (SRC)	
252	2E	*	K24-3818-04	KNOB (RELEASE)	
253	3F		K24-3545-04	KNOB (EJECT)	
254	3F		K24-3546-04	KNOB (FF)	
255	3F		K24-3547-04	KNOB (REW)	
256	3E	*	K25-1387-03	KNOB (AUTO,CLK)	
257	3E	*	K25-1389-03	KNOB (FMAM,SEEK,AUD)	

Ref.No.	A d d	N e w	Parts No.	Description	Dest inati on
258	3E	*	K25-1388-03	KNOB (ATT,PRE,RST)	
259	3E	*	K25-1390-03	KNOB (VOL)	
260	3E	*	K24-3819-04	KNOB (SEEK)	
261	1C		N99-1610-15	SCREW SET	
262	1C	*	N99-1719-05	SCREW SET	
A	3D		N30-3004-46	PAN HEAD MACHINE SCREW	
B	3D		N83-3005-46	PAN HEAD TAPTITE SCREW	
G	1D		N30-3008-46	PAN HEAD MACHINE SCREW	
H	3E		N80-2006-46	PAN HEAD TAPTITE SCREW	
J	1F		N29-0205-04	RETAINING RING (1.5)	
K	1F		N80-2008-45	PAN HEAD TAPTITE SCREW	
<b>SYNTHESIZER UNIT(X14-6850-XX)</b>					
C1	.2		CK73GB1H152K	CHIP C	1500PF K
C3	.4		CE04CW0J470M	ELECTRO	47UF 6.3WV
C5	.6		CC73GCH1H101J	CHIP C	100PF J
C7	.8		CK73GB1E223K	CHIP C	0.022UF K
C7	.8		CK73GB1H223K	CHIP C	0.022UF K
C9	.10		CE04CW1A101M	ELECTRO	100UF 10WV
C13	.14		CK73GB1A224K	CHIP C	0.22UF K
C15	.18		C90-5296-05	NP-ELECT	0.22UF 50WV
C50			C90-5242-05	ELECTRO	3300UF 16WV
C52			CK73GB1H103K	CHIP C	0.010UF K
C53			CE04CW1C101M	ELECTRO	100UF 16WV
C54			CK73GB1H103K	CHIP C	0.010UF K
C55			C90-2594-05	ELECTRO	10UF 10WV
C56			CE04CW0J101M	ELECTRO	100UF 6.3WV
C57			CE04CW1C101M	ELECTRO	100UF 16WV
C58			CE04CW1A101M	ELECTRO	100UF 10WV
C101			CK73GB1H103K	CHIP C	0.010UF K
C102,103			CC73GCH1H220J	CHIP C	22PF J
C150			CE04CW1A470M	ELECTRO	47UF 10WV
C151			CK73GB1H103K	CHIP C	0.010UF K
C152			C90-2608-05	ELECTRO	1.0UF 50WV
C153			CK73GB1H153K	CHIP C	0.015UF K
C154			CK73GB1A224K	CHIP C	0.22UF K
C155			CK73GB1C104K	CHIP C	0.10UF K
C156			CK73GB1E333K	CHIP C	0.033UF K
C156			CK73GB1H333K	CHIP C	0.033UF K
C157			CC73GCH1H151J	CHIP C	150PF J
C159			CE04CW1A101M	ELECTRO	100UF 10WV
C160			C90-2597-05	ELECTRO	10UF 16WV
C161			C90-2935-05	ELECTRO	1.0UF 50WV
C162			C90-2608-05	ELECTRO	1.0UF 50WV
C163,164			CK73GB1H103K	CHIP C	0.010UF K
C200-202			CK73GB1H103K	CHIP C	0.010UF K
C206			CE04DW1A470M	ELECTRO	47UF 10WV
C250			CE04CW1A101M	ELECTRO	100UF 10WV
C251			CK73GB1E473K	CHIP C	0.047UF K
C320			CE04CW0J470M	ELECTRO	47UF 6.3WV
C321			CK73GB1H103K	CHIP C	0.010UF K
C350			C90-2598-05	ELECTRO	3.3UF 25WV
C351			CK73GB1C683K	CHIP C	0.068UF K
C352			C90-2602-05	ELECTRO	0.10UF 50WV
C400			CE04CW0J220M	ELECTRO	22UF 6.3WV

K: KRC-235 K1: KRC-225 M1: KRC-265 M5: KRC-265S

△ indicates safety critical components.

# KRC-225/235/265/265S

## PARTS LIST

\* New Parts

Parts without **Parts No.** are not supplied.

Les articles non mentionnés dans le **Parts No.** ne sont pas fournis.

Teile ohne **Parts No.** werden nicht geliefert.

SYNTHESIZER UNIT(X14-6850-xx)

Ref.No.	A d d	N e w	Parts No.	Description	Dest inati on
C401,402			C90-2606-05	ELECTRO 0.47UF 50WV	KM1M5
C450,451			C90-2597-05	ELECTRO 10UF 16WV	
C452			CK73GB1H103K	CHIP C 0.010UF K	
C506			CK73GB1C104K	CHIP C 0.10UF K	
CN1			E40-3240-05	PIN ASSY (5P)	
J1	2D		E04-0312-05	RF COAXIAL CABLE RECEPTACLE	
J2	2D		E58-0863-15	RECTANGULAR RECEPTACLE (16P)	
J3	2D		E58-0888-05	RECTANGULAR RECEPTACLE (12P)	
J4	2D		E56-0834-05	CYLINDRICAL RECEPTACLE (13P)	KM1M5
J5	2D		E63-0013-05	PIN JACK (2P)	
WH1			E39-0344-05	WIRING HARNESS (6P)	
L1	2D		L33-1063-15	CHOKO COIL (140UH)	
L3			L40-4795-91	SMALL FIXED INDUCTOR(4.7UH,J)	
L4			L33-1123-05	LINE FILTER COIL (52mH)	
L8 ,9			L40-4795-91	SMALL FIXED INDUCTOR(4.7UH,J)	
X1			L77-1163-05	CRYSTAL RESONATOR(4.5MHZ)	
X1			L77-1165-05	CRYSTAL RESONATOR(4.5MHZ)	
B	1D		N83-3005-46	PAN HEAD TAPTITE SCREW	
C	1D		N35-3010-46	BINDING HEAD MACHINE SCREW	
D	1D		N80-3008-46	PAN HEAD TAPTITE SCREW	
E	1D		N83-3020-46	PAN HEAD TAPTITE SCREW	
F	2D		N86-2606-46	BINDING HEAD TAPTITE SCREW	
R1 ,2			RK73GB2A223J	CHIP R 22K J 1/10W	
R3 ,4			RK73GB2A101J	CHIP R 100 J 1/10W	
R5 ,6			RK73GB2A682J	CHIP R 6.8K J 1/10W	
R7 ,8			RK73GB2A124J	CHIP R 120K J 1/10W	
R13			RK73EB2E472J	CHIP R 4.7K J 1/4W	
R14 ,15			RK73GB2A472J	CHIP R 4.7K J 1/10W	
R16			RK73EB2E472J	CHIP R 4.7K J 1/4W	
R50			RD14DB2H332J	SMALL-RD 3.3K J 1/2W	
R52			RK73FB2B333J	CHIP R 33K J 1/8W	
R54			RK73FB2B103J	CHIP R 10K J 1/8W	
R55			RD14BB2C473J	RD 47K J 1/6W	
R57			RK73GB2A433J	CHIP R 43K J 1/10W	
R58			RK73FB2B223J	CHIP R 22K J 1/8W	
R59			RK73GB2A101J	CHIP R 100 J 1/10W	
R62			RK73GB2A103J	CHIP R 10K J 1/10W	
R63 ,64			RK73GB2A102J	CHIP R 1.0K J 1/10W	
R65 ,66			RD14DB2H2R2J	SMALL-RD 2.2 J 1/2W	
R67			RD14BB2C102J	RD 1.0K J 1/6W	
R102			RK73FB2B222J	CHIP R 2.2K J 1/8W	
R103			RK73GB2A225J	CHIP R 2.2M J 1/10W	KK1
R104			RK73FB2B104J	CHIP R 100K J 1/8W	KK1
R105,106			RK73GB2A102J	CHIP R 1.0K J 1/10W	
R108			RK73GB2A473J	CHIP R 47K J 1/10W	
R110			RK73GB2A473J	CHIP R 47K J 1/10W	
R114			RK73EB2E223J	CHIP R 22K J 1/4W	
R115			RK73GB2A102J	CHIP R 1.0K J 1/10W	
R116			RD14BB2C472J	RD 4.7K J 1/6W	
R118,119			RK73GB2A222J	CHIP R 2.2K J 1/10W	
R120			RK73GB2A473J	CHIP R 47K J 1/10W	K1
R121			RK73GB2A473J	CHIP R 47K J 1/10W	K
R121,122			RK73GB2A473J	CHIP R 47K J 1/10W	M1M5

Ref.No.	A d d	N e w	Parts No.	Description	Dest inati on
R123			RK73GB2A473J	CHIP R 47K J 1/10W	KK1
R125			RK73GB2A473J	CHIP R 47K J 1/10W	
R126,127			RK73EB2E473J	CHIP R 47K J 1/4W	
R129			RK73GB2A223J	CHIP R 22K J 1/10W	
R131			RK73GB2A103J	CHIP R 10K J 1/10W	
R132			RD14BB2C104J	RD 100K J 1/6W	
R137			RK73GB2A473J	CHIP R 47K J 1/10W	
R138			RD14BB2C223J	RD 22K J 1/6W	
R150,151			RK73GB2A472J	CHIP R 4.7K J 1/10W	
R152			RK73FB2B102J	CHIP R 1.0K J 1/8W	
R153			RK73GB2A913J	CHIP R 91K J 1/10W	
R154			RK73GB2A751J	CHIP R 750 J 1/10W	
R155			RK73GB2A431J	CHIP R 430 J 1/10W	
R156			RK73GB2A184J	CHIP R 180K J 1/10W	
R157			RK73EB2E101J	CHIP R 100 J 1/4W	
R158			RK73GB2A333J	CHIP R 33K J 1/10W	
R159			RK73GB2A104J	CHIP R 100K J 1/10W	
R160			RK73GB2A473J	CHIP R 47K J 1/10W	
R161			RK73GB2A103J	CHIP R 10K J 1/10W	
R200			RK73EB2E102J	CHIP R 1.0K J 1/4W	
R201			RK73EB2E223J	CHIP R 22K J 1/4W	
R202			RD14BB2C102J	RD 1.0K J 1/6W	
R203			RK73EB2E223J	CHIP R 22K J 1/4W	
R205			RK73EB2E151J	CHIP R 150 J 1/4W	
R206			RK73GB2A472J	CHIP R 4.7K J 1/10W	
R207			RK73GB2A272J	CHIP R 2.7K J 1/10W	
R250			RK73FB2B100J	CHIP R 10 J 1/8W	
R251			RK73GB2A103J	CHIP R 10K J 1/10W	
R260			RD14DB2H102J	SMALL-RD 1.0K J 1/2W	
R261			RD14BB2C103J	RD 10K J 1/6W	
R301			RK73EB2E102J	CHIP R 1.0K J 1/4W	
R303-306			RK73EB2E102J	CHIP R 1.0K J 1/4W	
R320			RK73GB2A473J	CHIP R 47K J 1/10W	
R321			RK73EB2E273J	CHIP R 27K J 1/4W	
R322			RK73EB2E222J	CHIP R 2.2K J 1/4W	
R323			RK73EB2E470J	CHIP R 47 J 1/4W	
R324			RK73EB2E100J	CHIP R 10 J 1/4W	
R350			RD14BB2C472J	RD 4.7K J 1/6W	
R351			RD14DB2H102J	SMALL-RD 1.0K J 1/2W	
R352			RK73FB2B223J	CHIP R 22K J 1/8W	
R353			RD14DB2H102J	SMALL-RD 1.0K J 1/2W	
R370			RD14BB2C472J	RD 4.7K J 1/6W	M1M5
R371			RD14DB2H102J	SMALL-RD 1.0K J 1/2W	M1M5
R372			RK73FB2B223J	CHIP R 22K J 1/8W	M1M5
R373			RD14DB2H102J	SMALL-RD 1.0K J 1/2W	M1M5
R400			RK73EB2E4R7J	CHIP R 4.7 J 1/4W	KM1M5
R401,402			RK73EB2E100J	CHIP R 10 J 1/4W	KM1M5
R403			RK73EB2E101J	CHIP R 100 J 1/4W	KM1M5
R404			RK73GB2A104J	CHIP R 100K J 1/10W	KM1M5
R405			RK73EB2E104J	CHIP R 100K J 1/4W	KM1M5
R406,407			RK73EB2E472J	CHIP R 4.7K J 1/4W	KM1M5
R408			RK73EB2E102J	CHIP R 1.0K J 1/4W	KM1M5
R409,410			RK73EB2E472J	CHIP R 4.7K J 1/4W	KM1M5
R411,412			RK73EB2E101J	CHIP R 100 J 1/4W	KM1M5
R413			RK73GB2A104J	CHIP R 100K J 1/10W	KM1M5

K: KRC-235 K1: KRC-225 M1: KRC-265 M5: KRC-265S

⚠ indicates safety critical components.

# KRC-225/235/265/265S

## PARTS LIST

\* New Parts

Parts without **Parts No.** are not supplied.

Les articles non mentionnés dans le **Parts No.** ne sont pas fournis.

Teile ohne **Parts No.** werden nicht geliefert.

SYNTHESIZER UNIT(X14-6850-xx)

Ref.No.	A d d	N e w	Parts No.	Description	Dest inati on	Ref.No.	A d d	N e w	Parts No.	Description	Dest inati on
R450,451			RK73FB2B271J	CHIP R 270 J 1/8W		Q50			2SD601A	TRANSISTOR	
R452,453			RK73FB2B303J	CHIP R 30K J 1/8W		Q51			2SB1443	TRANSISTOR	
R454,455			RK73EB2E101J	CHIP R 100 J 1/4W		Q52			2SC2412K	TRANSISTOR	
W111-114			R92-2053-05	CHIP R 0 J 1/8W	K1	Q52			2SD601A	TRANSISTOR	
W111-115			R92-2053-05	CHIP R 0 J 1/8W	KM1M5	Q53			DTA114YK	DIGITAL TRANSISTOR	
W116			R92-2052-05	CHIP R 0 OHM J 1/10W		Q53			KRA107S	DIGITAL TRANSISTOR	
W117			R92-2053-05	CHIP R 0 J 1/8W		Q53			UN2114	DIGITAL TRANSISTOR	
W118			R92-2052-05	CHIP R 0 OHM J 1/10W	M1M5	Q54			DTC144EK	DIGITAL TRANSISTOR	
W119			R92-2053-05	CHIP R 0 J 1/8W		Q54			KRC104S	DIGITAL TRANSISTOR	
W120,121			R92-2052-05	CHIP R 0 OHM J 1/10W		Q54			UN2213	DIGITAL TRANSISTOR	
W122			R92-2053-05	CHIP R 0 J 1/8W		Q55			DTA124EK	DIGITAL TRANSISTOR	
W123			R92-2052-05	CHIP R 0 OHM J 1/10W	K1	Q55			KRA103S	DIGITAL TRANSISTOR	
W123-125			R92-2052-05	CHIP R 0 OHM J 1/10W	KM1M5	Q55			UN2112	DIGITAL TRANSISTOR	
W127-133			R92-2053-05	CHIP R 0 J 1/8W		Q56	2D		2SA2057	TRANSISTOR	
W134			R92-2052-05	CHIP R 0 OHM J 1/10W		Q56	2D		2SB1548(P)	TRANSISTOR	
W135			R92-2053-05	CHIP R 0 J 1/8W		Q56	2D		2SB1565(E,F)	TRANSISTOR	
D50			S2V20*A	DIODE		Q56	2D		2SB1655(E,F)	TRANSISTOR	
D50		*	1N5393G-M6	DIODE		Q57			2SC2412K	TRANSISTOR	
D51			HZS7A3L	ZENER DIODE		Q57			2SD601A	TRANSISTOR	
D51			MA4068(N)-M	ZENER DIODE		Q58			DTC144EK	DIGITAL TRANSISTOR	
D52			MA4051-L	ZENER DIODE		Q58			KRC104S	DIGITAL TRANSISTOR	
D53			AM01Z	DIODE		Q58			UN2213	DIGITAL TRANSISTOR	
D53			DSM1SD2	DIODE		Q59			DTA124EK	DIGITAL TRANSISTOR	
D53			ERA15-01	DIODE		Q59			KRA103S	DIGITAL TRANSISTOR	
D54			MA4056(N)-M	ZENER DIODE		Q59			UN2112	DIGITAL TRANSISTOR	
D55			MA4091(N)-L	ZENER DIODE		Q60	2D		2SA2057	TRANSISTOR	
D56			MA4110-L	ZENER DIODE		Q60	2D		2SB1548(P)	TRANSISTOR	
D100			1SS133	DIODE		Q60	2D		2SB1565(E,F)	TRANSISTOR	
D150-152			1SS133	DIODE		Q60	2D		2SB1655(E,F)	TRANSISTOR	
D200			MA4051(N)-M	ZENER DIODE		Q61	2D		2SC2412K	TRANSISTOR	
D260,261			AM01Z	DIODE		Q61			2SD601A	TRANSISTOR	
D260,261			DSM1SD2	DIODE		Q150			DTC124EK	DIGITAL TRANSISTOR	
D260,261			ERA15-01	DIODE		Q150			KRC103S	DIGITAL TRANSISTOR	
D350,351			AM01Z	DIODE	KK1	Q150			UN2212	DIGITAL TRANSISTOR	
D350,351			DSM1SD2	DIODE	KK1	Q151			DTC114YK	DIGITAL TRANSISTOR	
D350,351			ERA15-01	DIODE	KK1	Q151			KRC107S	DIGITAL TRANSISTOR	
D352			1SS133	DIODE		Q151			UN2214	DIGITAL TRANSISTOR	
D370,371			AM01Z	DIODE	M1M5	Q153			DTA124EK	DIGITAL TRANSISTOR	
D370,371			DSM1SD2	DIODE	M1M5	Q153			KRA103S	DIGITAL TRANSISTOR	
D370,371			ERA15-01	DIODE	M1M5	Q153			UN2112	DIGITAL TRANSISTOR	
D400,401			MA4062-L	ZENER DIODE	KM1M5	Q200			DTC124EK	DIGITAL TRANSISTOR	
D404			MA4062-L	ZENER DIODE	KM1M5	Q200			KRC103S	DIGITAL TRANSISTOR	
D405			HZS7A3L	ZENER DIODE	KM1M5	Q200			UN2212	DIGITAL TRANSISTOR	
D405			MA4068(N)-M	ZENER DIODE	KM1M5	Q201			2SB1277(Q,R)	TRANSISTOR	
D408,409			MA4062-L	ZENER DIODE	KM1M5	Q202			DTC124EK	DIGITAL TRANSISTOR	
D411			HZS7A3L	ZENER DIODE	KM1M5	Q202			KRC103S	DIGITAL TRANSISTOR	
D411			MA4068(N)-M	ZENER DIODE	KM1M5	Q202			UN2212	DIGITAL TRANSISTOR	
IC1			LC72366-9592	MI-COM IC		Q203			2SB1277(Q,R)	TRANSISTOR	
IC2			TDA7461ND	ANALOGUE IC		Q260			DTC114YK	DIGITAL TRANSISTOR	
IC3			HD74HC27FP	MOS-IC		Q260			KRC107S	DIGITAL TRANSISTOR	
IC4	1D		TDA7384A	ANALOGUE IC	KK1	Q260			UN2214	DIGITAL TRANSISTOR	
IC4	1D		TDA7386	ANALOGUE IC	M1M5	Q261			2SB1443	TRANSISTOR	
IC5			LA3161	IC(PREAMP X2)		Q301			DTA144EK	DIGITAL TRANSISTOR	
Q50			2SC2412K	TRANSISTOR		Q301			UN2113	DIGITAL TRANSISTOR	
						Q320			2SA1037K	TRANSISTOR	

K: KRC-235 K1: KRC-225 M1: KRC-265 M5: KRC-265S

⚠ indicates safety critical components.

# KRC-225/235/265/265S

## PARTS LIST

\* New Parts

Parts without **Parts No.** are not supplied.

Les articles non mentionnés dans le **Parts No.** ne sont pas fournis.

Teile ohne **Parts No.** werden nicht geliefert.

SYNTHESIZER UNIT(X14-6850-xx)

Ref.No.	A d d	N e w	Parts No.	Description	Dest inati on
Q350			2SB1277(Q,R)	TRANSISTOR	
Q351			2SA1037K	TRANSISTOR	
Q352			DTA124EK	DIGITAL TRANSISTOR	
Q352			KRA103S	DIGITAL TRANSISTOR	
Q352			UN2112	DIGITAL TRANSISTOR	
Q353			DTC114YK	DIGITAL TRANSISTOR	
Q353			KRC107S	DIGITAL TRANSISTOR	
Q353			UN2214	DIGITAL TRANSISTOR	
Q370			2SB1277(Q,R)	TRANSISTOR	M1M5
Q371			DTC114YK	DIGITAL TRANSISTOR	M1M5
Q371			KRC107S	DIGITAL TRANSISTOR	M1M5
Q371			UN2214	DIGITAL TRANSISTOR	M1M5
Q450,451			DTC143TK	DIGITAL TRANSISTOR	
Q450,451			UN2216	DIGITAL TRANSISTOR	
TH1			PTH9C42BD471Q	POSITIVE RESISTOR	
A1	2D		X86-3320-11	TUNER UNIT	
<b>SWITCH UNIT(X16-1490-XX)</b>					
271	2E	*	B11-1376-04	OPTICAL DIFFUSER	
272	2E		B11-0992-04	REFLECTION SHEET	
273	2E		B19-2019-03	LIGHTING BOARD	
D1 -13			B30-1565-05	LED(1608,PG)	KK1M1
D1 -13			B30-1566-05	LED(1608,RED)	M5
D14			B30-1511-05	LED(RED)	M5
D14			B30-2025-05	LED	KK1M1
D15			B30-1565-05	LED(1608,PG)	KK1M1
D15			B30-1566-05	LED(1608,RED)	M5
ED1	2E		B38-1022-05	LIQUID CRYSTAL	K1
ED1	2E		B38-1068-05	LIQUID CRYSTAL	KM1
ED1	2E		B38-1094-05	LIQUID CRYSTAL	M5
PL1_2			B30-1483-05	LAMP (5.5V 0.125A)	M5
PL1_2			B30-1485-05	LAMP (5.5V 0.125A)	KM1
PL1_2			B30-1513-05	LAMP (5.5V 0.125A)	K1
C1			CK73GB1E473K	CHIP C 0.047UF K	
C1			CK73GB1H473K	CHIP C 0.047UF K	
C2			CK73GB1H103K	CHIP C 0.010UF K	
C4			CK73GB1E473K	CHIP C 0.047UF K	
C4			CK73GB1H473K	CHIP C 0.047UF K	
C5			CK73GB1H102K	CHIP C 1000PF K	
274	2E		E29-1600-04	CONDUCTIVE RUBBER	
J1			E59-0831-05	RECTANGULAR PLUG (12P)	
R1			RK73EB2E331J	CHIP R 330 J 1/4W	
R2			RK73EB2E471J	CHIP R 470 J 1/4W	
R3_4			RK73EB2E331J	CHIP R 330 J 1/4W	
R5_6			RK73EB2E471J	CHIP R 470 J 1/4W	
R8			RK73GB2A4R7J	CHIP R 4.7 J 1/10W	
R11-14			RK73GB2A101J	CHIP R 100 J 1/10W	
R18			RK73GB2A102J	CHIP R 1.0K J 1/10W	
R19			RK73GB2A563J	CHIP R 56K J 1/10W	
R20_21			RK73EB2E130J	CHIP R 13 J 1/4W	
D17			MA3062-M	ZENER DIODE	
IC1			LC75853NE	MOS-IC	
Q1			DTA114EK	DIGITAL TRANSISTOR	
Q1			KRA102S	DIGITAL TRANSISTOR	

Ref.No.	A d d	N e w	Parts No.	Description	Dest inati on
Q1			UN2111	DIGITAL TRANSISTOR	
<b>CASSETTE MECHANISM ASSY(D40-1136-05)</b>					
1		2A	A10-4328-08	CHASSIS CALKING ASSY	
4		3B	J26-4017-08	PRINTED WIRING BOARD ASSY	
5		2A	J21-7778-08	MOUNTING HARDWARE	
6		2B	D10-4091-08	SLIDER	
7		2B	D13-1323-08	GEAR	
9		2B	D10-4200-08	ARM ASSY (F)	
10		2A	D10-4201-08	ARM ASSY (R)	
12		3A	A11-0930-08	SUB CHASSIS CALKING ASSY	
14		3A	J26-4018-08	PRINTED WIRING BOARD ASSY	
16		1B	G01-2826-08	TORSION COIL SPRING	
17		1A	D10-4094-08	SLIDER	
18		1B	D10-4095-08	SLIDER	
19		1A	D10-4096-08	ARM	
20		1A	J19-4736-08	HOLDER ASSY	
22		2A	G01-2827-08	TENSION COIL SPRING	
23		2A	D10-4097-08	LEVER	
25		2B	D10-4098-08	SLIDER	
26		2B	G09-2019-08	SPRING	
31		3A	D01-0608-08	FLYWHEEL ASSY	
33		3A	G01-2828-08	TENSION COIL SPRING	
34		2B	G01-2829-08	TENSION COIL SPRING	
35		2B	D10-4099-08	ARM	
36		1A	D10-4100-08	ARM	
37		1A	D14-0682-08	ROLLER	
38		1A	D10-4101-08	LEVER	
39		2A	G01-2830-08	COMPRESSION COIL SPRING	
40		2A	D10-4102-08	ARM	
52		2A	D13-1110-08	GEAR	
53		2B	D15-0909-08	PULLEY	
54		3B	D16-0606-08	BELT	
56		1B	D10-4105-08	ARM ASSY	
57		2B	D10-4104-08	ARM	
58		2B	G01-2831-08	TENSION COIL SPRING	
99		3B	E39-0181-08	WIRE HARNESS	
100		1B	J11-0618-08	CLAMPER	
101		3B	N09-4328-08	SCREW (S2X5)	
102		3A	N09-4326-08	SCREW (S2X3)	
103		3A	N09-4191-08	SCREW (3.2X2)	
104		1B	N09-4192-08	SCREW (2.6X4.5)	
105		2A	N09-4058-08	SCREW (2X3)	
106		1A	N09-4109-08	SCREW	
111		3A	N19-2082-08	FLAT WASHER (1.55X3)	
112		2A	N19-2083-08	FLAT WASHER (1.25X3)	
113		2A	N19-2084-08	FLAT WASHER (1.55X3)	
114		3A	N19-2043-08	FLAT WASHER (1.2X3)	
115		2B	N19-2038-08	FLAT WASHER (0.85X2)	
CM1		1A	T42-1025-08	MOTOR ASSY	
HD1		1B	T31-0229-08	PLAYBACK HEAD	

K: KRC-235 K1: KRC-225 M1: KRC-265 M5: KRC-265S

△ indicates safety critical components.

# KRC-225/235/265/265S

## SPECIFICATIONS

		KRC-225(K)	KRC-235(K)	KRC-265(M)	KRC-265S(M)
		TDF	TDF	TDF	TDF
Tuner type		CR2	CR2	CR2	CR2
FM	Frequency Range	87.5MHz-108.0MHz	87.5MHz-108.0MHz	87.5MHz-108.0MHz	87.5MHz-108.0MHz
	Frequency Step	200kHz	200kHz	50kHz	50kHz
	Frequency Range	-	-	87.9MHz-107.9MHz	87.9MHz-107.9MHz
	Frequency Step	-	-	200kHz	200kHz
	Channel Space Selection	(50k/200kHz)	(50k/200kHz)	50k/200kHz	50k/200kHz
	Usable Sensitivity (S/N:30dB)	9.3dBf (0.8μV/75Ω)	9.3dBf (0.8μV/75Ω)	9.3dBf (0.8μV/75Ω)	9.3dBf (0.8μV/75Ω)
	Quieting Sensitivity (S/N 50dB)	15.2dBf (1.6μV/75Ω)	15.2dBf (1.6μV/75Ω)	15.2dBf (1.6μV/75Ω)	15.2dBf (1.6μV/75Ω)
	Frequency Response (±3.0dB)	30Hz-15kHz	30Hz-15kHz	30Hz-15kHz	30Hz-15kHz
	S/N Ratio	70dB(MONO)	70dB(MONO)	70dB(MONO)	70dB(MONO)
	Selectivity	≧ 80dB(±400kHz)	≧ 80dB(±400kHz)	≧ 80dB(±400kHz)	≧ 80dB(±400kHz)
Stereo Separation	40dB(1kHz)	40dB(1kHz)	40dB(1kHz)	40dB(1kHz)	
AM	Frequency Range	-	-	531kHz-1611kHz	531kHz-1611kHz
	Frequency Step	-	-	9kHz	9kHz
	Frequency Range	530kHz-1700kHz	530kHz-1700kHz	530kHz-1700kHz	530kHz-1700kHz
	Frequency Step	10kHz	10kHz	10kHz	10kHz
	Channel Space Selection	(9k/10kHz)	(9k/10kHz)	9k/10kHz	9k/10kHz
Usable Sensitivity (S/N:20dB)	28dBμ(25μV)	28dBμ(25μV)	28dBμ(25μV)	28dBμ(25μV)	
CASSETTE	Tape Speed	4.76cm/sec.	4.76cm/sec.	4.76cm/sec.	4.76cm/sec.
	Wow & Flutter	0.12%(WRMS)	0.12%(WRMS)	0.12%(WRMS)	0.12%(WRMS)
	Frequency Response (±3.0dB)	30-14kHz(120μ)	30-14kHz(120μ)	30-14kHz(120μ)	30-14kHz(120μ)
	Separation	40dB(1kHz)	40dB(1kHz)	40dB(1kHz)	40dB(1kHz)
	S/N Ratio	52dB	52dB	52dB	52dB
Preout Level(mV)/Load	1800mV/10kΩ	1800mV/10kΩ	1800mV/10kΩ	1800mV/10kΩ	
Preout Impedance(Ω)	≧ 600Ω	≧ 600Ω	≧ 600Ω	≧ 600Ω	
AMP	Maximum Power	40Wx4	40Wx4	45wx4	45Wx4
	Full Bandwidth Power (at less than 1%THD)	20Wx4	20Wx4	22wx4	22Wx4
TONE	Bass	100Hz±10dB	100Hz±10dB	100Hz±10dB	100Hz±10dB
	Treble	10kHz±10dB	10kHz±10dB	10kHz±10dB	10kHz±10dB
GENERAL	Operating Voltage (11~16v allowable)	14.4V	14.4V	14.4V	14.4V
	Current Consumption	10A	10A	10A	10A
	Installation Size (W)	182(mm) 7-3/16(in.)	182(mm) 7-3/16(in.)	182(mm)	182(mm)
	(H)	53(mm) 2-1/16(in.)	53(mm) 2-1/16(in.)	53(mm)	53(mm)
	(D)	158(mm) 6-1/4(in.)	158(mm) 6-1/4(in.)	158(mm)	158(mm)
Weight	1.3kg(2.9lbs.)	1.3kg(2.9lbs.)	1300g	1300g	

**KENWOOD** follows a policy of continuous advancements in development. For this reason specifications may be changed without notice.

## KENWOOD CORPORATION

14-6, Dogenzaka 1-chome, Shibuya-ku, Tokyo, 150-8501 Japan

### KENWOOD SERVICE CORPORATION

P.O. Box 22745, 2201 East Dominguez Street,  
Long Beach, CA90801-5745, U.S.A.

### KENWOOD ELECTRONICS CANADA INC.

6070 Kestrel Road, Mississauga, Ontario, Canada L5T 1S8

### KENWOOD ELECTRONICS LATIN AMERICA S.A.

P.O. Box 55-2791 Paitilla, Plaza Credicorp Bank Panama,  
Piso 9, Oficina 901, Calle 50, Panama, Republic of Panama

### KENWOOD ELECTRONICS BRASIL LTDA.

Alameda Ministro Rocha Azevedo No. 456,  
Edifício Jaú, 10o Andar, Cerqueira César, Cep 0140-001,  
São Paulo-SP-Brasil

### KENWOOD ELECTRONICS UK LIMITED

Kenwood House, Dwight Road, Watford,  
Herts, WD1 8EB, United Kingdom

### KENWOOD ELECTRONICS DEUTSCHLAND GMBH

Rembrücker Str. 15, 63150 Heusenstamm, Germany

### KENWOOD ELECTRONICS FRANCE S.A.

13, Boulevard Ney, 75018 Paris, France

### KENWOOD ELECTRONICS BELGIUM N.V.

Leuvensesteenweg 248 J, 1800 Vilvoorde, Belgium

### KENWOOD ELECTRONICS ITALIA S.p.A.

Via G. Sirtori 7/9, 20129 Milano, Italy

### KENWOOD IBÉRICA S.A.

Bolivia, 239-08020 Barcelona, Spain

### KENWOOD ELECTRONICS AUSTRALIA PTY. LTD.

(A.C.N. 001 499 074)  
16 Giffnock Avenue, Centrecourt Estate, North Ryde,  
N.S.W. 2113, Australia

### KENWOOD ELECTRONICS (HONG KONG) LTD.

Unit 3712-3724, Level 37, Tower 1, Metroplaza,  
223 Hing Fong Road, Kwai Fong, N.T., Hong Kong

### KENWOOD ELECTRONICS GULF FZE

P.O.Box 61318, Jebel Ali, Dubai, U.A.E.

### KENWOOD ELECTRONICS (THAILAND) CO., LTD.

2019 New Pechburi Road, Bangkapi, Huaykwang,  
Bangkok, 10320 Thailand

### KENWOOD ELECTRONICS SINGAPORE PTE LTD.

1 Genting Lane, #07-00, Kenwood Building, Singapore 349544

### KENWOOD ELECTRONICS (MALAYSIA) SDN BHD

#4.01 Level 4, Wisma Academy Lot 4A, Jalan 19/1,  
46300 Petaling Jaya, Selangor Darul Ehsan, Malaysia