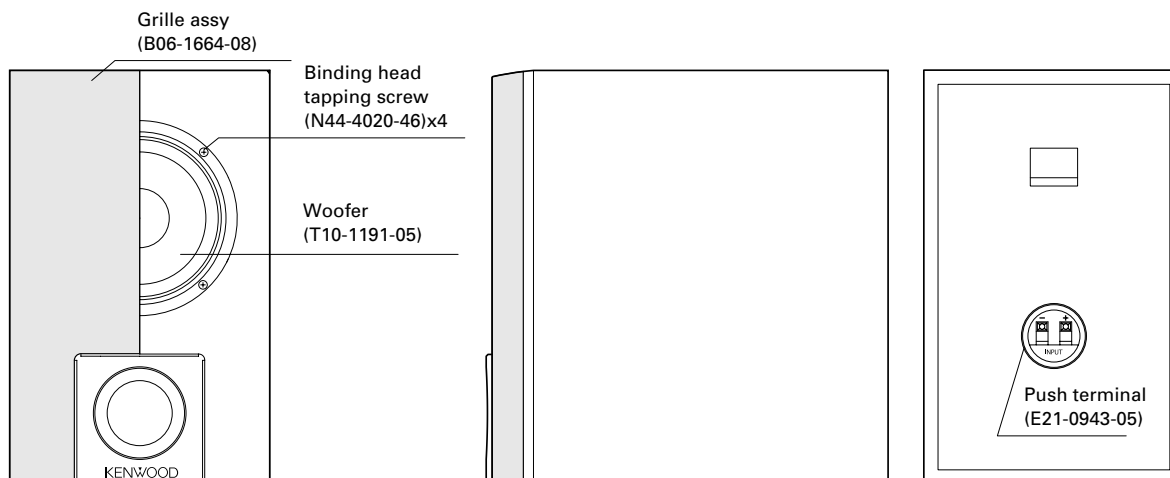


# KSW-8100

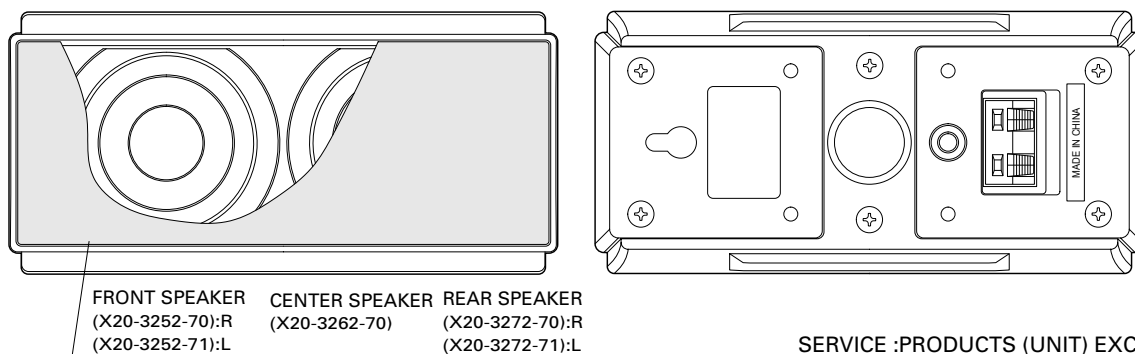
## SERVICE MANUAL

(DVT-6700/7100R/8100)

### SUB WOOFER



### FRONT, REAR, CENTER SPEAKER



### SPECIFICATIONS

	Subwoofer	Front speaker	Center speaker	Rear speaker
System	1 way	2 way (Magnetically shielded)	2way (Magnetically shielded)	2 way
Enclosure	Bass-Reflex	Bass-Reflex	Bass-Reflex	Bass-Reflex
Loudspeaker	160 mm(6-1/2") Cone type	50 mm(2") Cone type (Full Range type) (Woofer type)	50 mm(2") Cone tye (Full Range type) (Woofer type)	50 mm(2") Cone type (Full Range type) (Woofer type)
Nominal Impedance	6 Ω	6 Ω	6 Ω	6 Ω
Maximum Input Power	80 W	80 W	80 W	80 W
Sensitivity	85 dB / W at 1 m	85 dB / W at 1 m	85 dB / W at 1 m	83 dB / W at 1 m
Frequency Response	35 Hz~2,000 Hz	140 Hz~20,000 Hz	140 Hz~20,000 Hz	140 Hz~20,000 Hz
Dimensions	Width	220 mm(8-11/16")	75 mm(2-15/16")	75 mm(2-15/16")
	Height	350 mm(13-3/4")	157mm(6-3/16")	157 mm(6-3/16")
	Depth	355mm(14")	99 mm(3-7/8")	99 mm(3-7/8")
Net Weight	5.2 kg (11.5lb)	0.8kg (1.76 lb) /piece	0.8 kg (1.76 lb)	0.57 kg (1.26lb) /piece

**Note:**

KENWOOD follows a policy of continuous advancements in development. For this reason specifications may be changed without notice.

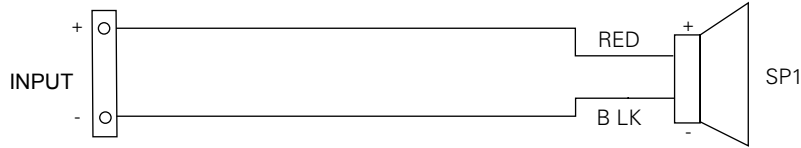


# KSW-8100

## DIVIDING NETWORK UNIT/PARTS LIST

### DIVIDING NETWORK UNIT

SUB WOOFER



### PARTS LIST

\* New Parts

Parts without **Parts No.** are not supplied.

Les articles non mentionnes dans le **Parts No.** ne sont pas fournis.

Teile ohne **Parts No.** werden nicht geliefert.

Ref. No.	Address	New Parts	Parts No.	Description	Destination	Remarks
<b>KSW-8100</b>						
-			G13-1187-08	CUSHION (4 PIECES)		
-			G13-1193-08	CUSHION (10 PIECES)		
-		*	H10-8325-08	POLYSTYRENE FOAMED FIXTURE		
-		*	H10-8326-08	POLYSTYRENE FOAMED FIXTURE		
-		*	H10-8327-08	POLYSTYRENE FOAMED FIXTURE		
-		*	H21-1382-08	PROTECTION SHEET		
-		*	H25-2548-08	PROTECTION BAG (SATELLITE)		
-		*	H51-1864-08	ITEM CARTON CASE	EG	
-		*	H51-1865-08	ITEM CARTON CASE	M	
-		*	H51-1866-08	ITEM CARTON CASE	XK	
-		*	X20-3252-70	FRONT SPEAKER (R)		
-		*	X20-3252-71	FRONT SPEAKER (L)		
-		*	X20-3262-70	CENTER SPEAKER		
-		*	X20-3272-70	REAR SPEAKER (R)		
-		*	X20-3272-71	REAR SPEAKER (L)		
<b>SUB WOOFER</b>						
-		*	B06-1664-08	GRILLE ASSY		
-		*	E21-0943-05	PUSH TERMINAL		
SP1		*	T10-1191-05	WOOFER		

L: Scandinavia

K: USA

P: Canada

R: Mexico

C: China

I: Malaysia

Y: PX(For East Hawaii)

T: England

E: Europe

G: Germany

V: China(Shanghai)

Y: AAFES(Europe)

X: Australia

Q: Russia

H: Korea

M: Other Areas

⚠ indicates safety critical components.