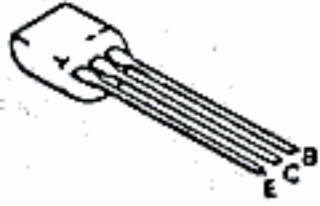
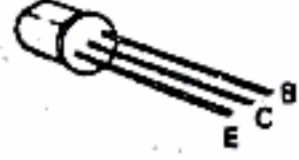


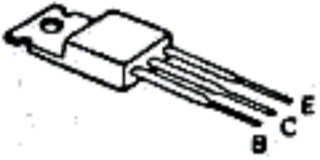
2SA1015(Y)
2SC1815(Y)
2SC1959(Y)



2SA562(Y)
2SC733(Y)



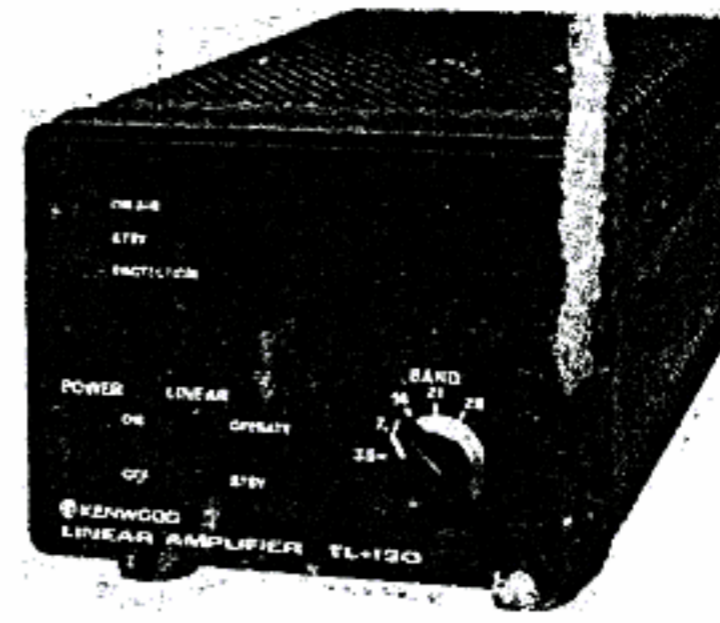
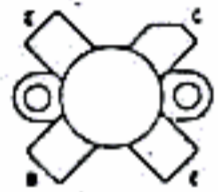
2SD235(Y)



2SA496(Y)



SRF1714



SPECIFICATIONS

Transmit Frequency Range:	3.5 MHz ~ 29.7 MHz
Exciter Power:	10W
Collector Input:	3.5 MHz ~ 21 MHz, 160W 28 MHz, 140W
Input, Output Impedance:	50Ω
Power Supply:	DC 12 ~ 16V (13.8V)
Power Consumption:	15A (DC 13.8V)
Semiconductor Complement:	
Transistors:	20
Diodes:	22
Dimensions:	123 (123) Wide x 97 (107) High x 235 (265) Deep Values in parenthesis include protrusions.
Weight:	2.3 kg

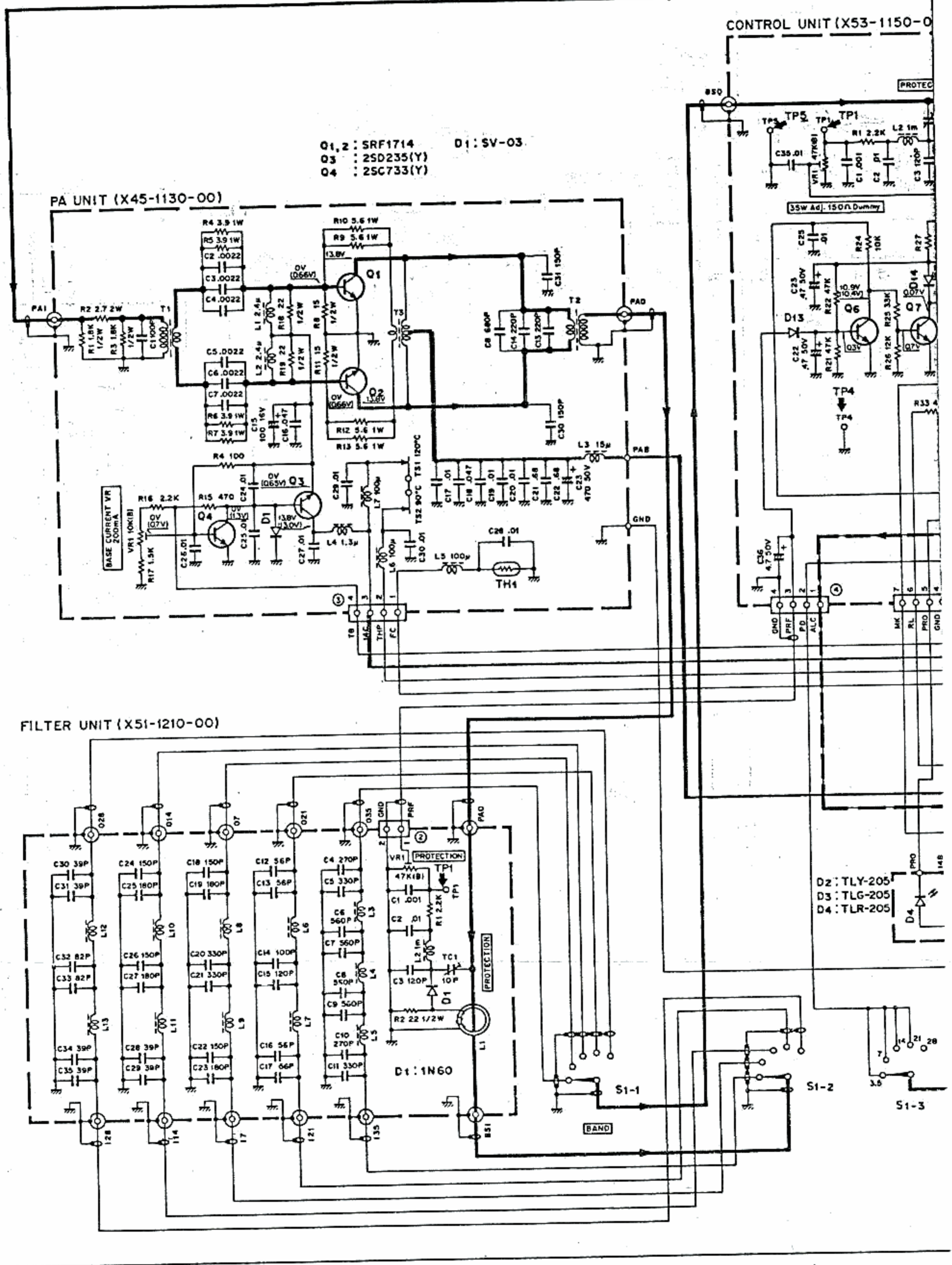
NOTE:

Specifications are subject to change for improvements.

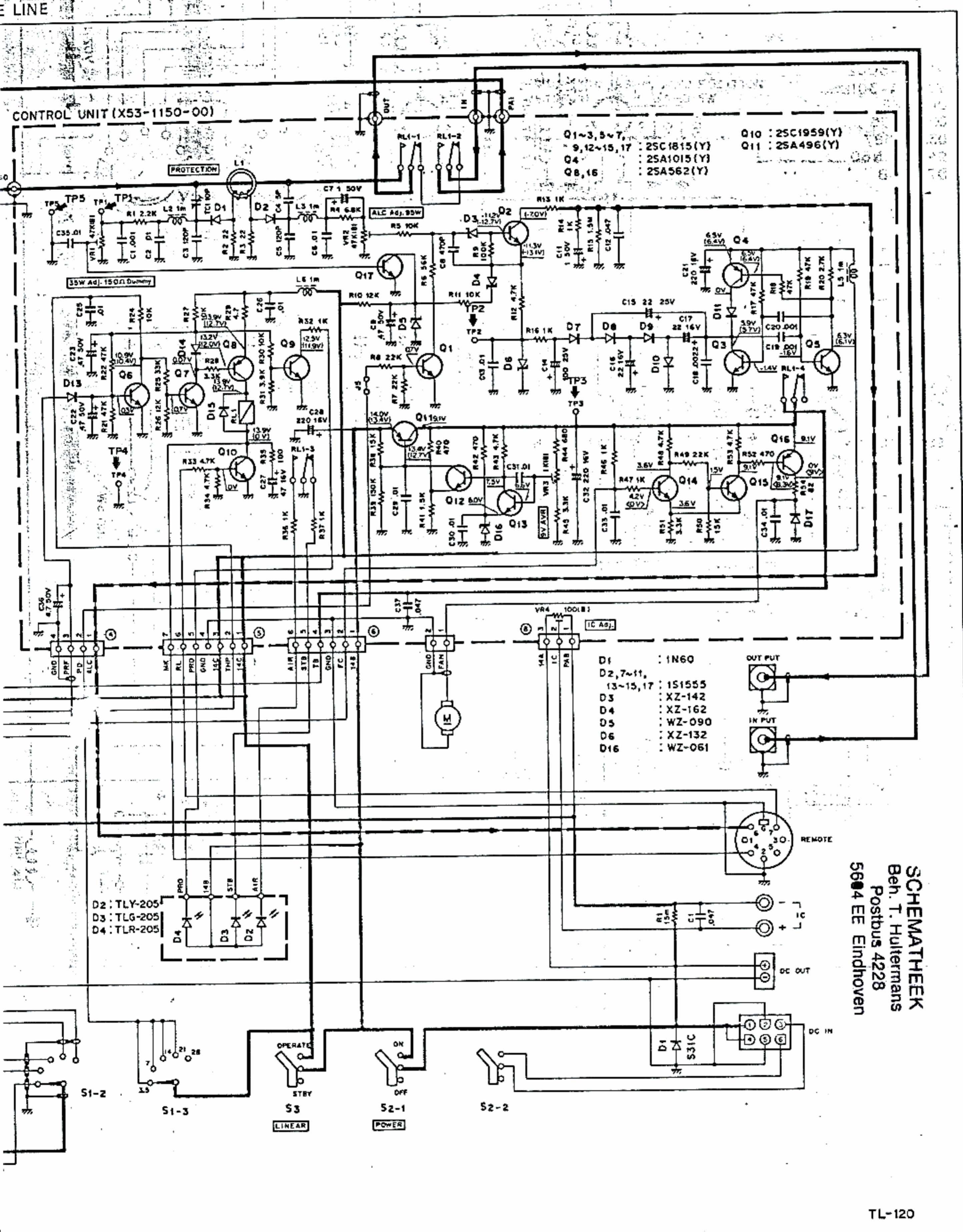
SCHEMATHEEK
Beh. T. Hultermans
Postbus 4228
5604 EE Eindhoven

— SIGNAL — CONTROL SIGNAL — COMMON VOLTAGE LINE

VOLTAGE: () transmission, < > fan operated.



■ The circuit and ratings change without notice due to development in technology.



SCHEMATHEEK
 Beh. T. Hultermans
 Postbus 4228
 5604 EE Eindhoven