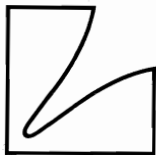


# SERVICE MANUAL



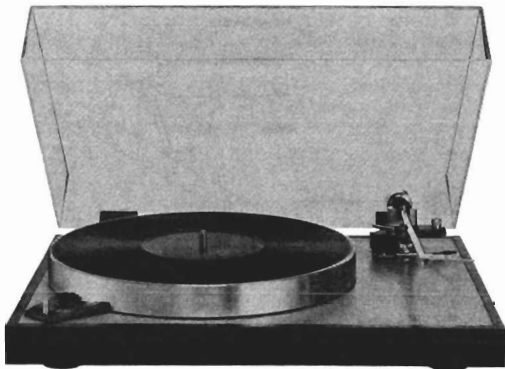
DIRECT-DRIVE PLAYER SYSTEM WITHOUT CARTRIDGE



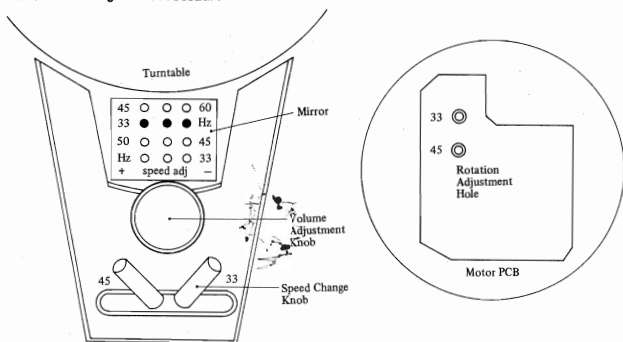
# PD 262

AUTO LIFT-UP DIRECT-DRIVE PLAYER SYSTEM

# PD 264

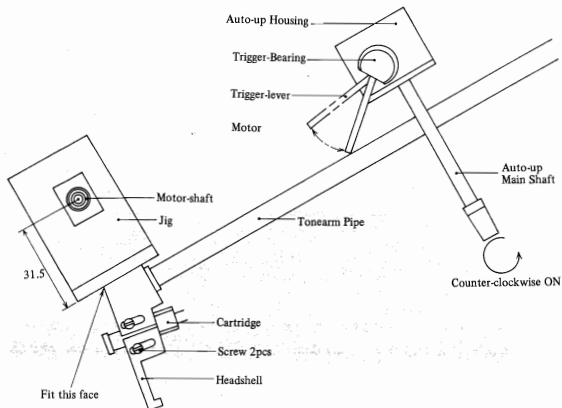


## PD264/PD262 Alignment Procedure



## Stroboscope Adjustment

- 1) Adjust volume adjustment knob turning left or right at the position of 33 on speed change knob to stop dots on mirror.
- 2) Make 4th dot from this side stop at the position of 45 on speed change knob.  
Unless it would stop, adjust "45" on motor PCB.
- 3) Make sure that more than 2 dots of this end are reflected on mirror.
- 4) Stand still stroboscope by speed adjustment volume at 33-1/3 rpm and make flow of stroboscope within  $\pm 28$  dots when turned on to 45 rpm.

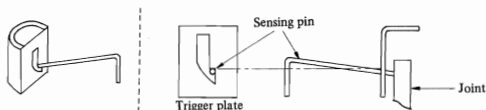


## Tonearm Adjustment

- 1) Detatch stylus cover.
- 2) Turn on auto-up main shaft counter-clockwise.
- 3) Take balance at zero and set counter-ring to zero.
- 4) Work tonearm at 1.5g on ANT knob.
- 5) Set ANT knob 2.0g and also stylus pressure at 2.0g.
- 6) Release trigger-lever lock.
- 7) Adjust tonearm height to upper part of headshell (58-60mm by jig).
- 8) Turn on main shaft on.
- 9) Insert motor shaft jig and join right-hand side of jig and left-hand side of headshell to turn trigger-bearing and placf trigger-lever on sideface of tonearm pipe to release, where trigger-bearing should be placed.
- 10) Confirm release of trigger-lever on a testing record. (Stylus presure 2.0g).

## Adjustment and Repair of the Mechanism

- 1) Referring to the following drawings, lift the sensing pin upward by some 5 – 10 degree to minimize the possible friction caused by coarse edge of the trigger plate.



- 2) By bending the sensing pin at joint between the sensing pin and trigger shaft horizontally to the right or the left, it is possible to adjust the amount of fastening. The sensing pin becomes loose easily by bending to the right, and vice versa if bended to the left. It is the best way to adjust the sensing pin so as to get easy setting of auto lift-up and also to avoid the undesired and abrupt auto lift-up under the manual operation.



- 3) Strength of return spring can be adjustable by shifting stopping points provided in the rear of auto lift-up mechanism. It is recommended to set to the loosest point, however, make sure to confirm if the power switch can be off even with use of the heavy cartridge.

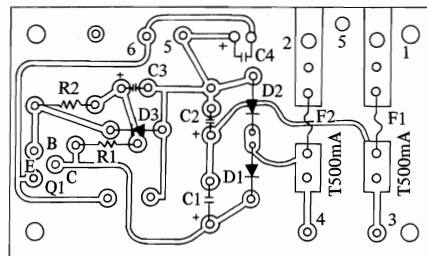


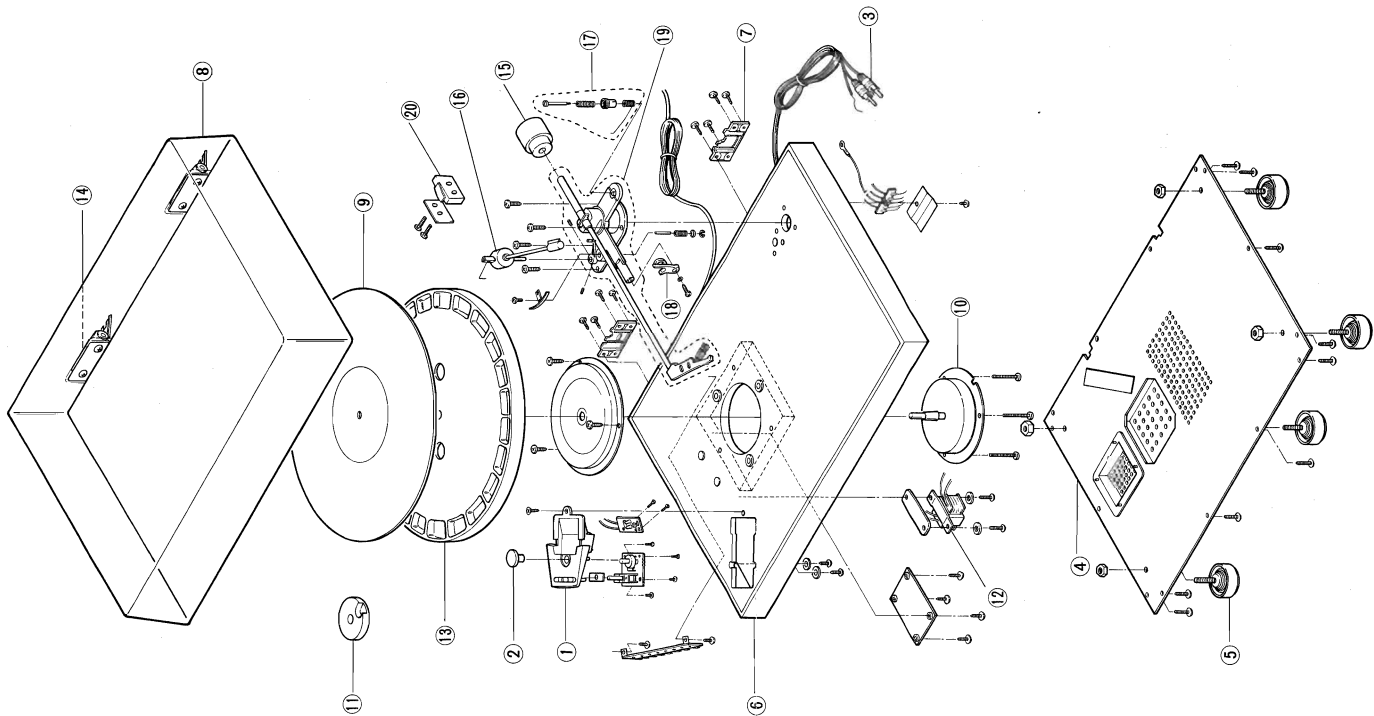
- 4) Confirm that no dusts between trigger pivot and trigger shaft may exist. Always keep it clean.

Here are several MUST-NOT's in addition:

- a) don't apply any kind of oil, etc to anywhere.
- b) don't try filing off the trigger plate, as this job is very very difficult.
- c) don't bend sensing pin much at one time, as the root of sensing pin is not so strong.

## Replacement parts List





## Replacement Parts List

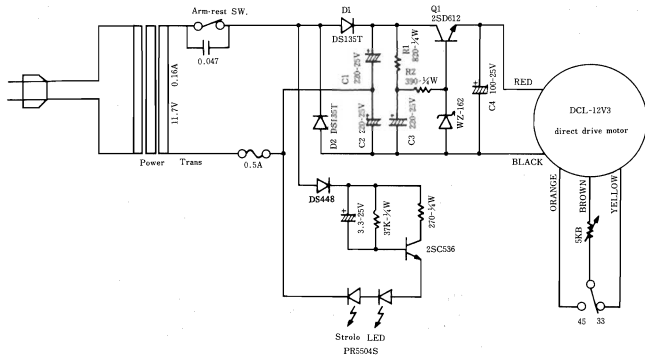
## Exploded View

Symbol No.	(PD-264) Stock No.	(PD-262) Stock No.	Description
1	B13-0006-00	B13-0006-00	Strobo Mirror Ass'y
2	F02-0054-00	F02-0054-00	Knob (Speed Adjustment)
3	P40-0042-00	P40-0042-00	PU Cord Ass'y
4	B08-0025-00	B08-0025-00	Bottom Plate Ass'y
5	F05-0005-00	F05-0005-00	Foot
6	B05-0050-00	B05-0050-00	Cabinet Ass'y
7	B11-0007-00	B11-0007-00	Lock Plate
8	V10-0009-00	V10-0009-00	Dust Cover Ass'y
9	F10-0008-00	F10-0008-00	Turn Table Sheet
10	M12-0012-00	M12-0012-00	Motor Ass'y
11	Y10-0003-00	Y10-0003-00	EP Adapter
12	L21-0007-00	L21-0007-00	Power Trans. 1915E (S)
	L21-0011-00	L21-0011-00	Power Trans. 1915J (E)
	L21-0002-07	L21-0002-07	Power Trans. 1915C (U)
13	T14-0009-00	T14-0009-00	Turn Table
14	B11-0006-00	B11-0006-00	Spring Hinge
15	A01-0042-MW	A01-0042-MW	Main Weight
16	A01-0042-AM	—	Auto-Up Mecha. Ass'y
	—	A01-0042-LA	Lifter Ass'y
17	A01-0042-AS	A01-0042-AS	Antiskating Ass'y
18	A01-0042-AR	A01-0042-AR	Arm Rest Ass'y
19	A01-0042-TA	A01-0042-TA	Tone Arm Ass'y
20	A01-0042-SW	Non Use	Power SW. (Arm Rest SW.)

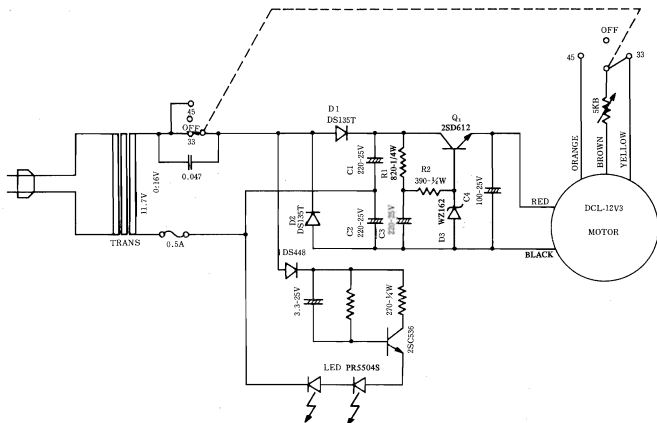
## Packing Material

Symbol No.	(PD-264) Stock No.	(PD-262) Stock No.	Description
	H01-0034-00	H01-0034-00	Carton
	H04-0046-00	H04-0046-00	Pad (F)
	H04-0047-00	H04-0047-00	Pad (R)
	MEO135	MEO199	Owner's Manual

Schematic Diagram Model PD-264



Schematic Diagram Model PD-262



PD264

## SPECIFICATIONS

**[Phono Motor Section]**

- \* Driving System: Direct-Drive System
- \* Motor: DC-servo brushless motor
- \* Turntable Platter: 30cm aluminium die-cast  
(weight 1.8kg including platter-mat)
- \* Rotation: 33-1/3 rpm, 45 rpm (2-speed)
- \* Adjustable Range of Rotation:  $\pm 6\%$
- \* S/N Ratio: better than 60dB (IEC-B)
- \* Wow & Flutter: no more than 0.035% W.R.M.S.

**[Tonearm Section]**

- \* Tonearm: Straight Arm of static balance type
- \* Effective Length: 240mm
- \* Tracking Error:  $+2^{\circ}13'$ ,  $-1^{\circ}08'$
- \* Overhang: 15mm
- \* Cartridge Weight: 4g - 11g
- \* Cartridge Height: 16mm ~ 19mm (by use of spacers)
- \* Stylus Pressure: 0 - 3g (direct reading)
- \* Accessories: Anti-skating adjustment, Tonearm Elevation, Auto Lift-Up Function, Stylus Height Adjustment Screw

**[Additional Features]**

- \* Dust Cover: Detachable with semi-freestop hinge
- \* Stroboscope: Mirror-reflex type
- \* Shut-Off Switch: Auto Shut-Off of Turntable Rotation

**[General]**

- \* Power Consumption: 5W
- \* Dimensions: 438(W) x 125(H) x 365(D) mm  
(17-1/4" x 4-15/16" x 14-3/8")
- Net 5.8kgs (12.8 lbs.)
- Gross 8 kgs (17.6 lbs.)

Specifications and appearance design subject to change without notice.

PD262

## SPECIFICATIONS

**[Phono Motor Section]**

- \* Driving System: Direct-Drive System
- \* Motor: DC-servo brushless motor
- \* Turntable Platter: 30cm aluminum die-cast  
(weight 1.8kg including platter-mat)
- \* Rotation: 33-1/3 rpm, 45 rpm (2-speed)
- \* Adjustable Range of Rotation:  $\pm 6\%$
- \* S/N Ratio: better than 60dB (IEC-B)
- \* Wow & Flutter: no more than 0.035% W.R.M.S.

**[Tonearm Section]**

- \* Tonearm: Straight Arm of static balance type
- \* Effective Length: 240mm
- \* Tracking Error:  $+2^{\circ}13'$ ,  $-1^{\circ}08'$
- \* Overhang: 15mm
- \* Cartridge Weight: 4g - 11g
- \* Stylus Pressure: 0 - 3g (direct reading)
- \* Accessories: Anti-skating adjustment, Tonearm Elevation, Stylus Height Adjustment Screw

**[Additional Features]**

- \* Dust Cover: Detachable with semi-freestop hinge
- \* Stroboscope: Mirror-reflex type

**[General]**

- \* Power Consumption: 5W
- \* Dimensions: 438(W) x 125(H) x 365(D) mm  
(17-1/4" x 4-15/16" x 14-3/8")
- Net 5.8kgs (12.8 lbs.)
- Gross 8 kgs (17.6 lbs.)

Specifications and appearance design subject to change without notice.