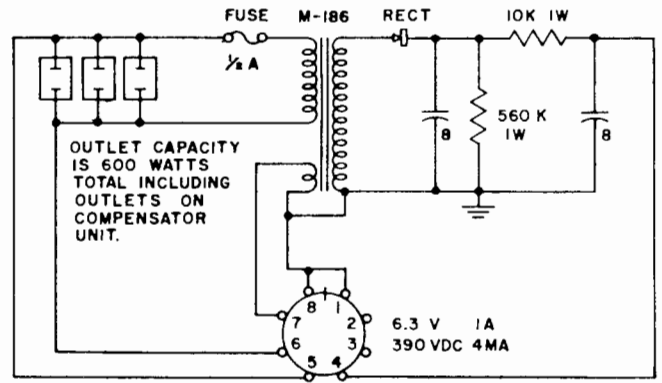
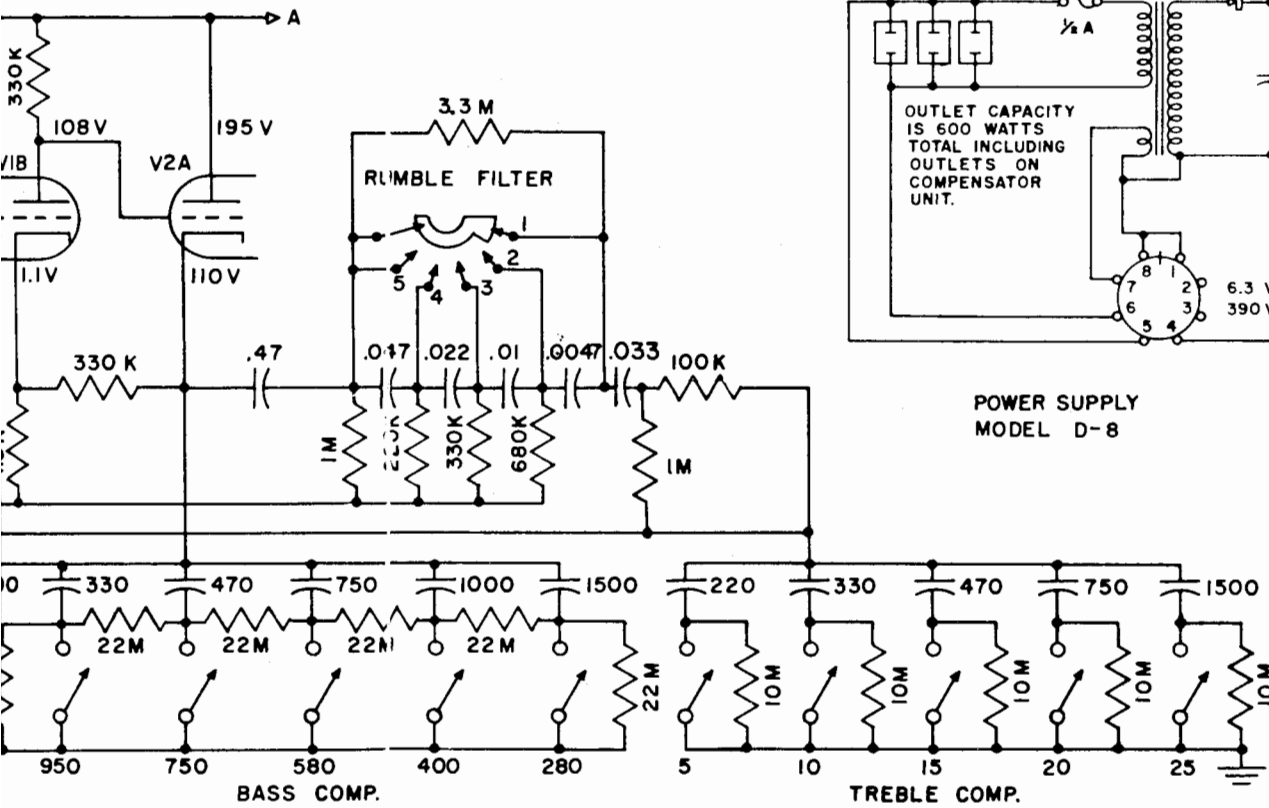


V1, V2, V3 - 12AX7
 S1 - 5 POS., 4 SECT., SELECTOR SWITCH
 S2 - POWER SWITCH (PART OF GAIN CONTROL)
 S3 - CONSTANT AMPLITUDE CARTRIDGE SWITCH (PART OF LOAD CONTROL)

UNLESS STATED OTHERWISE, COMPONENT VALUES ARE AS FOLLOWS:
 RESISTANCE IN OHMS, K = X 1000,
 M = X 1,000,000
 CAPACITY LESS THAN UNITY IN MF,
 FILTER CAPACITY IN MF,
 CAPACITY GREATER THAN UNITY IN MMF

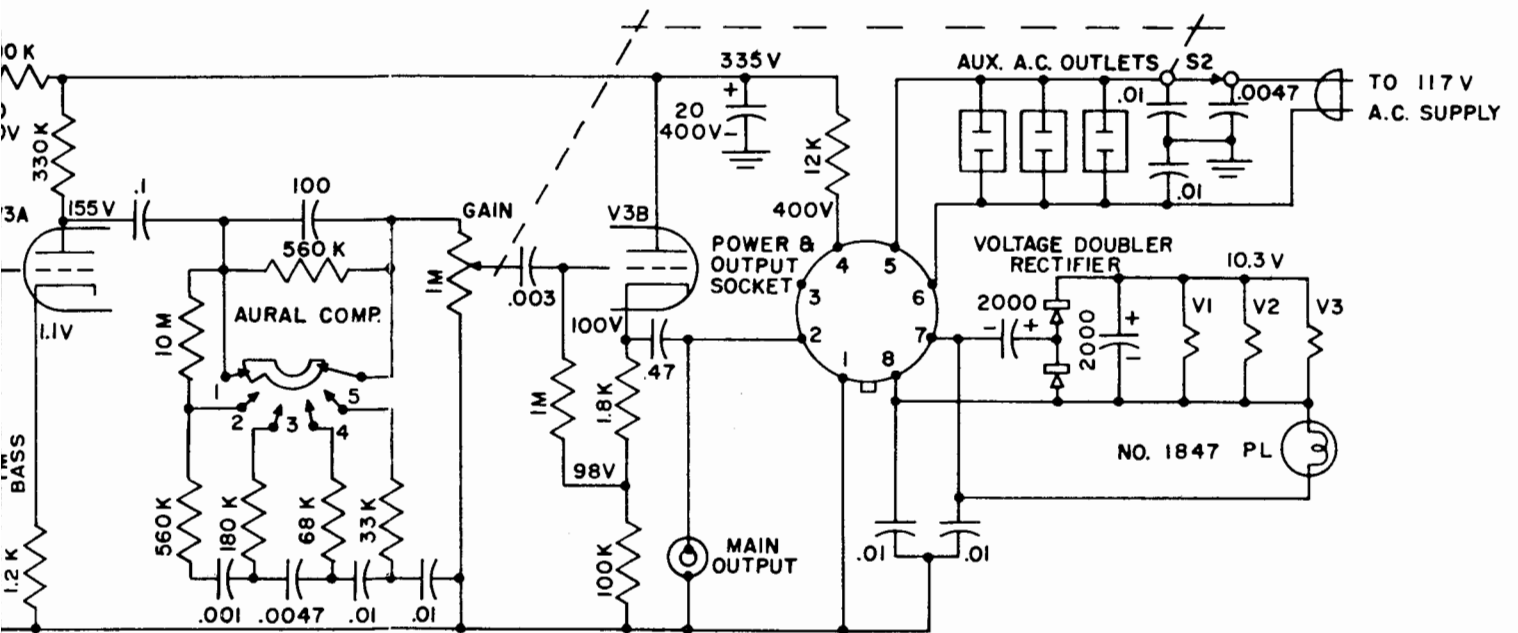
NOTE - C8 IS SUPPLIED WITH A 6 FOOT CABLE (PART J-121) TO OPERATE WITH AND BE POWERED BY A MCINTOSH POWER AMPLIFIER. PINS 5 AND 6 ON THIS CABLE ARE NOT CONNECTED.

C8 - P IS SUPPLIED WITH THE D-8 POWER SUPPLY. THE NECESSARY POWER CABLE IS A PART OF THE D-8.



POWER SUPPLY
MODEL D-8

6.3 V. A.C., 1A.
400V. D.C., 4MA.



SERIAL NO. 10600 AND UP

C-8 PREAMPLIFIER