

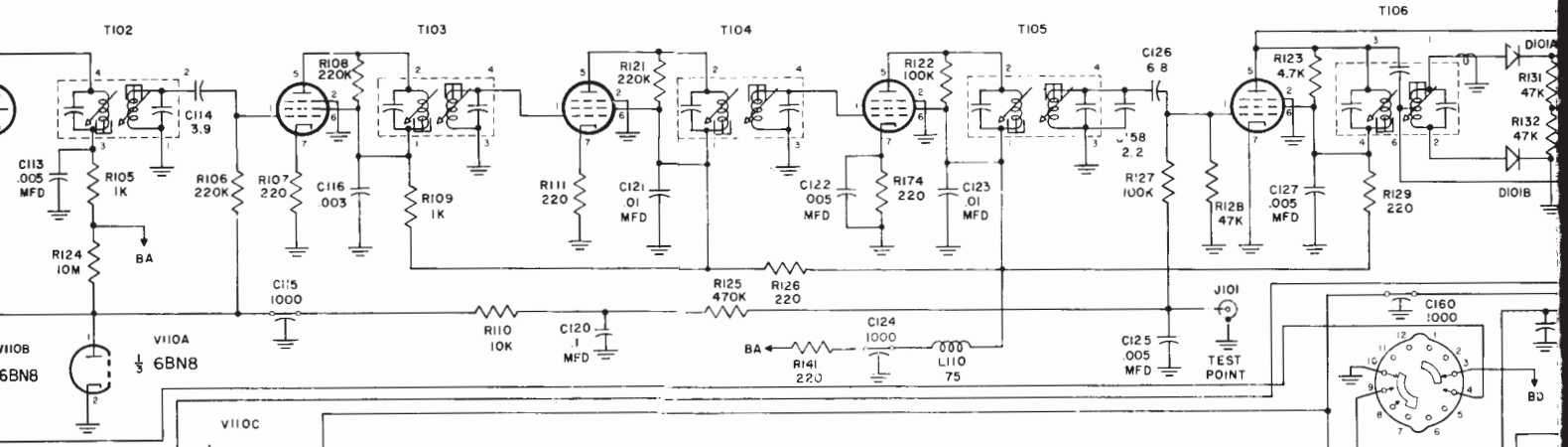
18
AT7

V103
6AU6

V104
6AU6

V105
6AU6

V106
6AU6



V110B
6BN8

V110A
6BN8

V110C
6BN8

ALL SWITCHES SHOWN IN POSITION 1

AM SWITCH

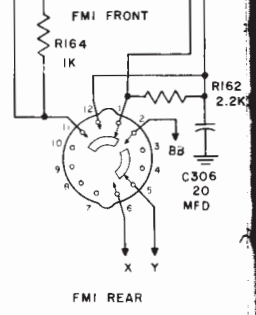
POSITION	FUNCTION
1	MULTIPLEX FM
2	AM OUT
3	NARROW
4	MEDIUM 1
5	MEDIUM 2
6	BROAD

MODE SEL SWITCH

POSITION	FUNCTION
1	POWER OFF
2	STEREO
3	MON FM
4	MON AM

FM SWITCH

POSITION	FUNCTION
1	FM OUT
2	MUTE IN
3	MUTE OUT



V203
6BA6

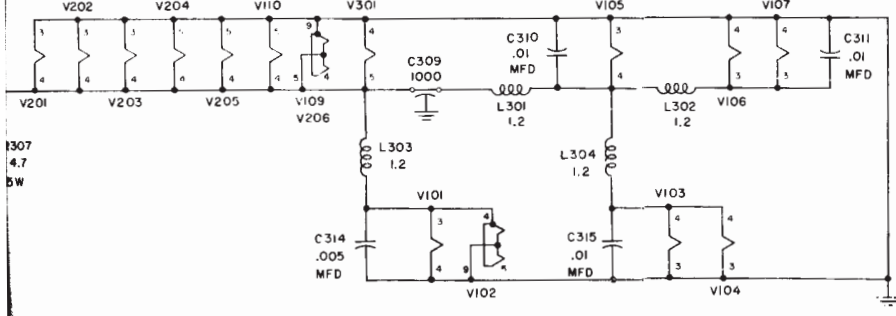
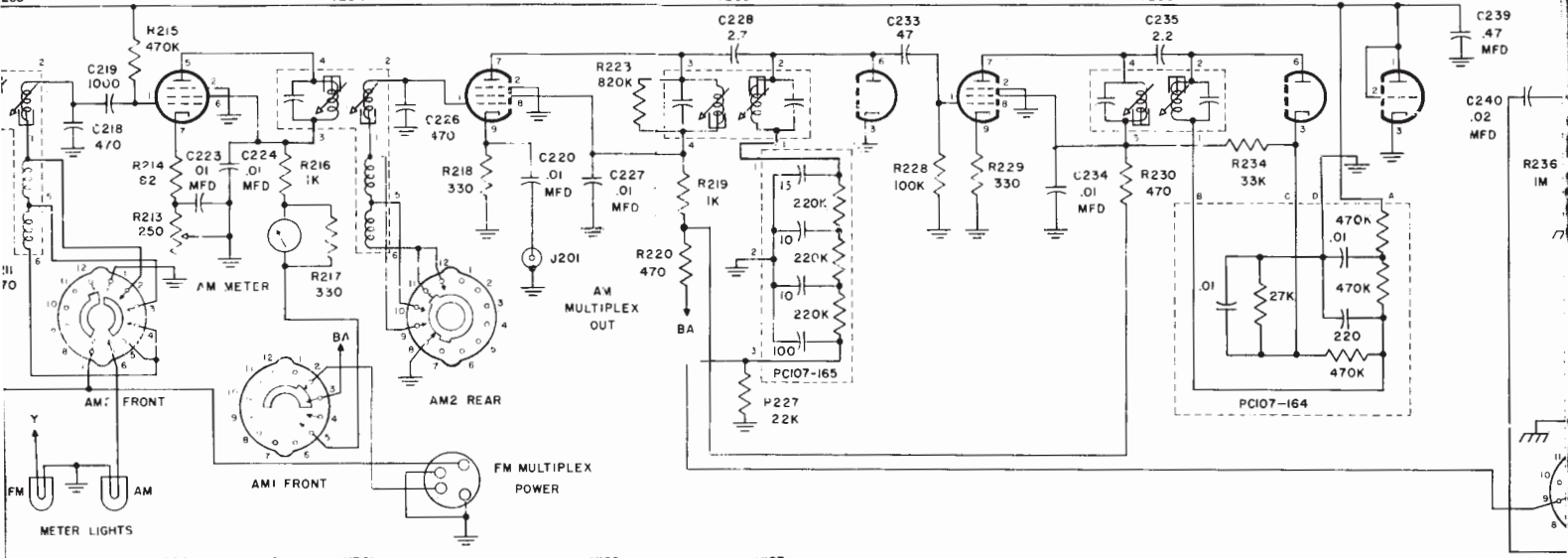
V204A
6BY8

V204B
6BY8

V205A
6BY8

V205B
6BY8

V206
12AU7



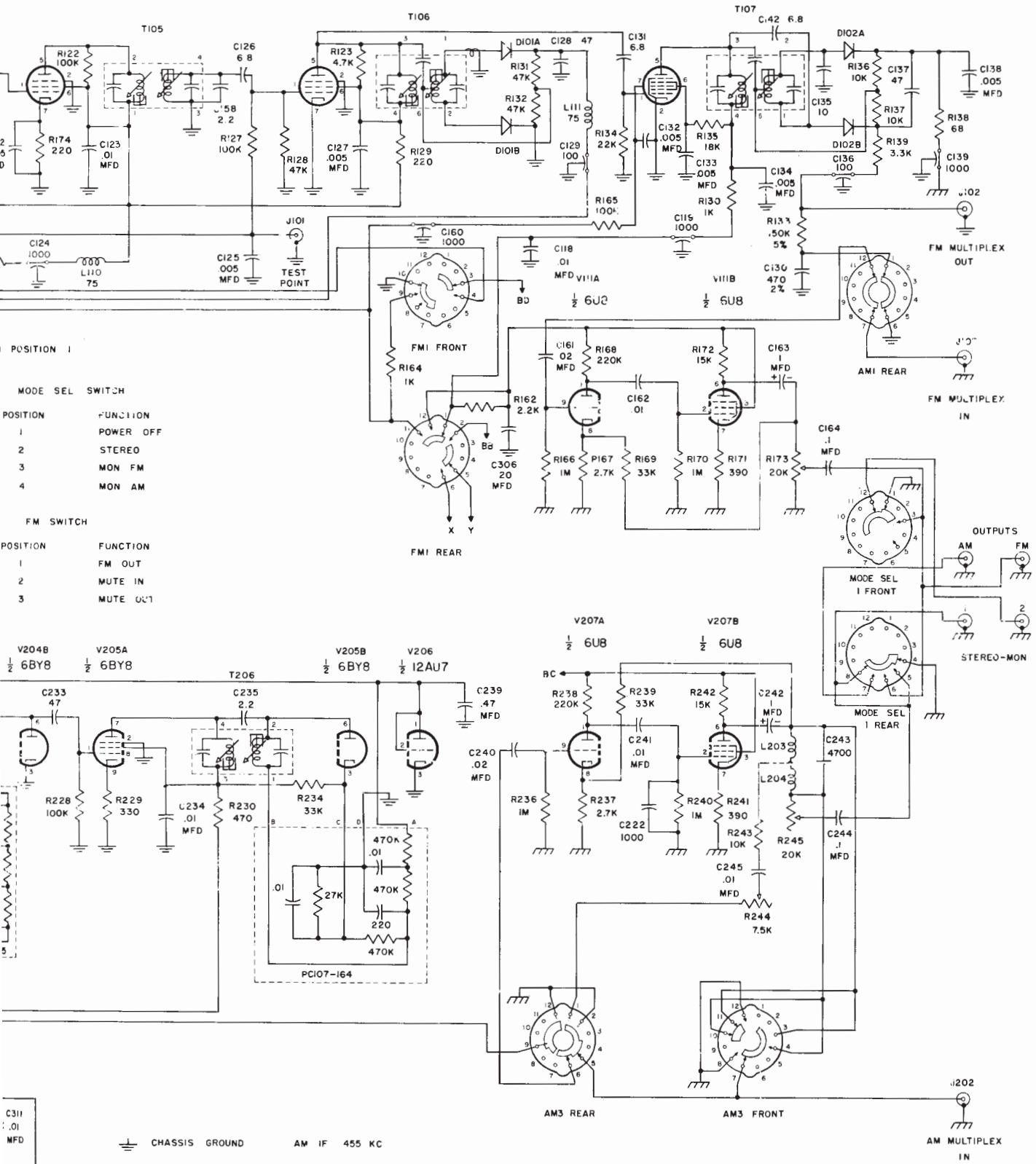
⊥ CHASSIS GROUND AM IF 455 KC
 ⏏ AUDIO GROUND FM IF 10.7 MC

ALL RESISTORS 1/2 WATT UNLESS OTHERWISE SPECIFIED
 ALL CAPACITORS IN MMFD UNLESS OTHERWISE SPECIFIED
 ALL INDUCTORS IN MICRO H UNLESS OTHERWISE SPECIFIED

V105
6AU6

V106
6AU6

V107
6CS6



MODE SEL SWITCH

POSITION	FUNCTION
1	POWER OFF
2	STEREO
3	MON FM
4	MON AM

FM SWITCH

POSITION	FUNCTION
1	FM OUT
2	MUTE IN
3	MUTE OUT

CHASSIS GROUND
 AUDIO GROUND
 ALL RESISTORS 1/2 WATT UNLESS OTHERWISE SPECIFIED
 ALL CAPACITORS IN MMFD UNLESS OTHERWISE SPECIFIED
 ALL INDUCTORS IN MICRO H UNLESS OTHERWISE SPECIFIED

M^oINTOSH LABORATORY INC.
 2 Chambers St. Binghamton, N.Y.
 MR-66 SCHEMATIC
 DRAWN BY BB SCALE MATERIAL
 CHK'D DATE 9-11-60 DRAWING NO.
 TRACED APP'D SC107-110