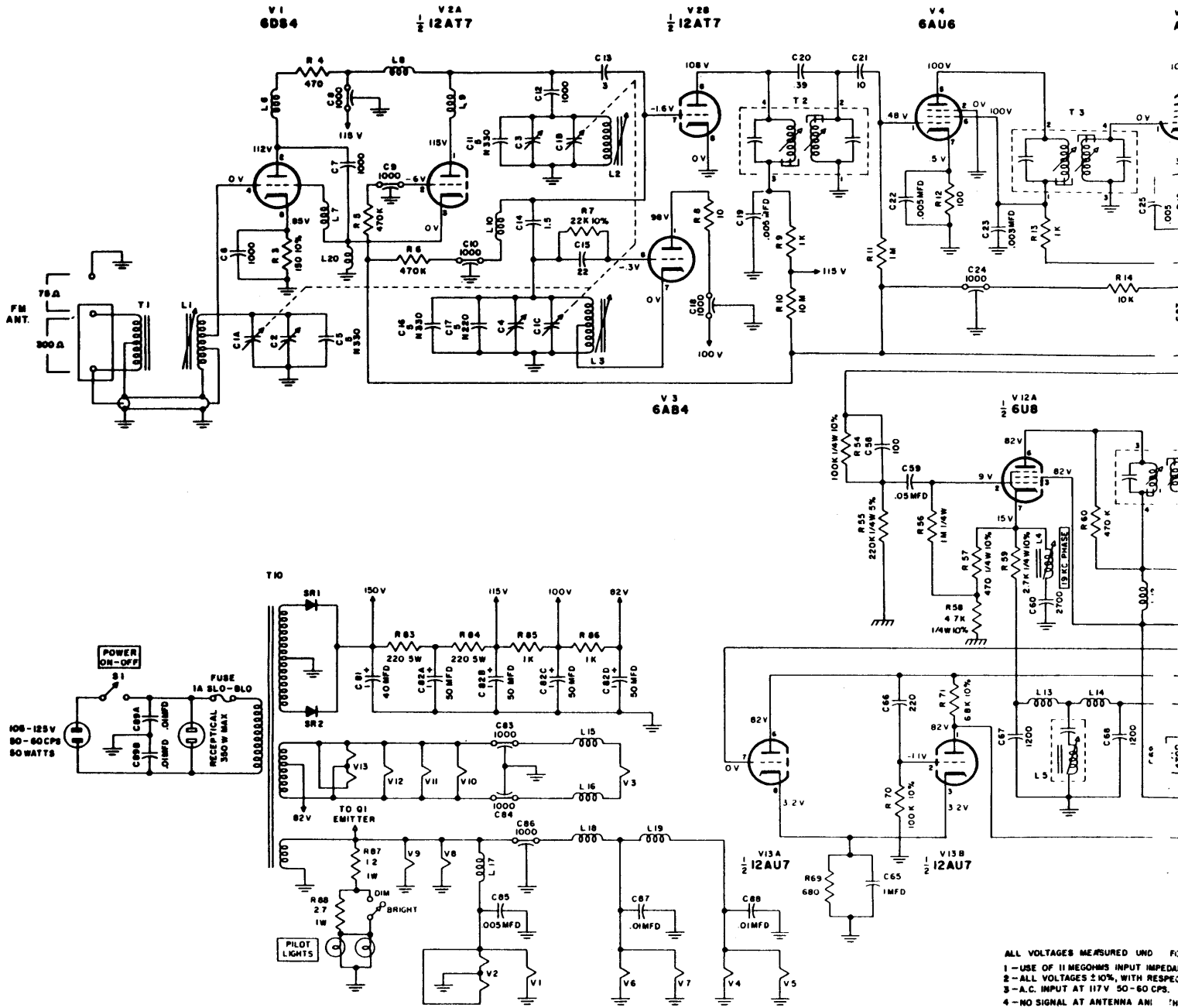


UNLESS OTHERWISE SPECIFIED
 ALL RESISTORS 1/2 W 20%
 ALL CAPACITORS IN PF
 ALL INDUCTORS IN MICRO H
 FM. IF: 10.7 MC

UNLESS OTHERWISE SPECIFIED
 ALL RESISTORS 1/2 W 20%
 ALL CAPACITORS IN PF
 ALL INDUCTORS IN MICRO H
 FM. IF: 10.7 MC

CBI NOT USED
 LAST C-C88
 LAST R-R89

DATE	BY	REVISION
		SCHEMATIC, MR67
		REVISION 1
		REVISION 2
		REVISION 3
		REVISION 4
		REVISION 5
		REVISION 6
		REVISION 7
		REVISION 8
		REVISION 9
		REVISION 10



- ALL VOLTAGES MEASURED UNDO
- 1 - USE OF 11 MEGOHMS INPUT IMPEDANCE
 - 2 - ALL VOLTAGES $\pm 10\%$, WITH RESPECT TO GROUND
 - 3 - A.C. INPUT AT 117V 50-60 CPS.
 - 4 - NO SIGNAL AT ANTENNA INPUT
 - 5 - FRONT PANEL CONTROLS AT:
 - MODE SELECTOR - MP
 - VOLUME CONTROL - MAX.
 - MUTING - OFF