

4.9



Nakamichi®

6.5mm



USER GUIDE
NK SHOCKWAVE

4.4mm

2.75mm



Nakamichi®

FC BQB
MADE IN CHINA

WELCOME

Welcome to your new NK SHOCKWAVE, US Top selling intelligent speaker and speakerphone.

NK SHOCKWAVE delivers impactful wireless audio without the hassle of cables and docking stations.

NK SHOCKWAVE also gives you the freedom to share music, movies, games and calls whenever you want. It's the perfect companion to any phone, mp3 player, tablet or laptop.

CONNECT TO NK SHOCKWAVE



OR



BLUETOOTH®
(wireless audio)

3.5mm STEREO
(wired audio)

CHARGE NK SHOCKWAVE

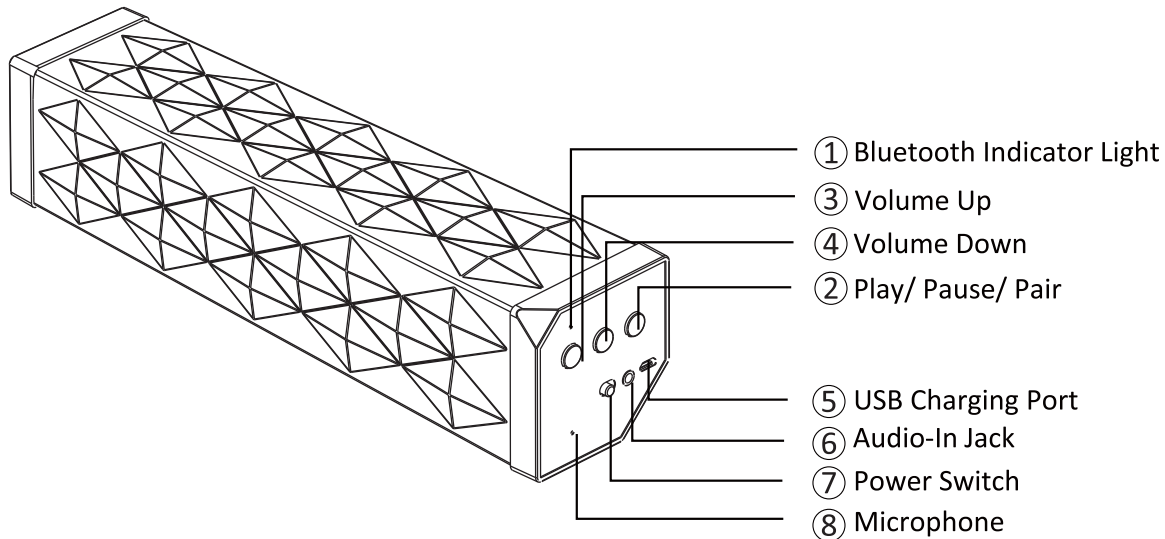


USB

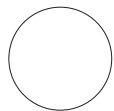
CONTENTS

NK SHOCKWAVE ANATOMY	PAGE 2
<hr/>	
① POWER UP	4
<hr/>	
② GET CONNECTED	5
<hr/>	
③ GET LISTENING	7
<hr/>	
④ GET TALKING	8
<hr/>	
TROUBLESHOOTING	9
<hr/>	
SPECIFICATIONS	10
<hr/>	
SAFETY INFORMATION	11
<hr/>	

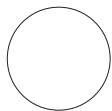
NK SHOCKWAVE ANATOMY



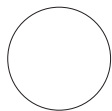
BUTTONS



VOL +



VOL -



✱ PAIRING /
☎ PICK UP

► PICK UP BUTTON

Use this button to answer or end a call, control music play and stop.

► VOLUME & TRACK CONTROLS

Press and Hold the PLUS and MINUS buttons to increase and decrease volume.

IF THE LED LIGHT IS...

► FLASHING BLUE

NK SHOCKWAVE is trying to connect to your phone /device or Bluetooth® device.

► FLASHING GREEN

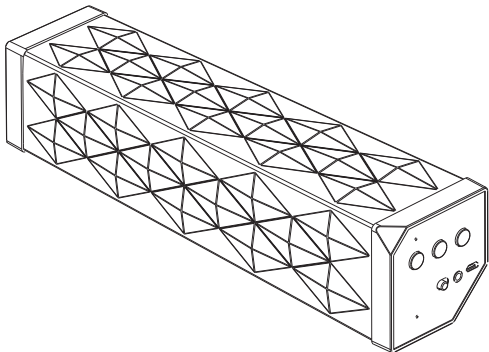
Battery is low. Power up!

► INTERMITTENT FLASHING BLUE

NK SHOCKWAVE is connected to your phone/device or Bluetooth® device.

1 POWER UP

For best results, fully charge your NK SHOCKWAVE before use



▶ FOR A FULL CHARGE

Plug NK SHOCKWAVE into your wall charger or computer via micro USB cable.

▶ WHEN BATTERY IS LOW

The LED LIGHT turns FLASHING GREEN.

▶ WHEN FULLY CHARGED

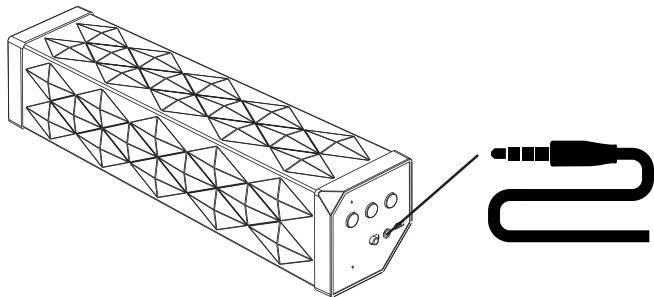
The LED LIGHT turns YELLOW.

NOTE :

It takes 2 hours to charge your NK SHOCKWAVE to 80% charge. A full charge takes approximate 3-4 hours.

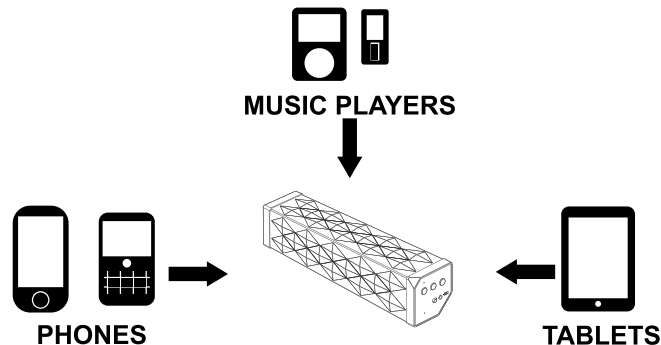
2 GET CONNECTED

Connect to NK SHOCKWAVE wirelessly via Bluetooth® or via 3.5mm stereo input.



When using NK SHOCKWAVE as a speakerphone, please note that NK SHOCKWAVE built-in microphone only works while connected via Bluetooth.

2-1 CONNECT WIRELESSLY



Your NK SHOCKWAVE can wirelessly stream audio from any Bluetooth device within 33 feet. Just follow the next steps:

2-2 PREPARE YOUR NK SHOCKWAVE FOR PAIRING

1. Press and hold the  Button down for more than 3 seconds.
2. Wait for the LED light to start flashing blue.

* PAIRING /
C PICKUP

2-3 PREPARE YOUR PHONE OR DEVICE Turn on Bluetooth®.

ON AN IPHONE®, IPOD®, OR IPAD®

Go to SETTINGS > GENERAL > and enable
BLUETOOTH

ON A BLACKBERRY®

Go to SETTINGS/OPTIONS > BLUETOOTH
and enable BLUETOOTH

2-4 MAKE THE CONNECTION

Go to your device's Bluetooth® settings.

ADD OR SEARCH FOR DEVICES

When NK SHOCKWAVE appears, select it.

You will hear 2 “beeps” and the LED light will turn blue.

This is a one-time event per device. To pair your
NK SHOCKWAVE to another device, repeat steps 2.2 to 2.4.

2-5 OR PLUG & PLAY

No Bluetooth? NK SHOCKWAVE also connects via 3.5mm
stereo input.

Play audio from any device with a headphone jack or
audio output.

③ GET LISTENING

3-1 GET THE BEST SOUND

For best listening results, make sure your NK SHOCKWAVE is resting on its base and speaker grill facing upwards.

When connected wirelessly via Bluetooth®, it's best to turn the volume on your phone/device fully up and then use the PLUS and MINUS buttons on your NK SHOCKWAVE.

When connected via 3.5mm stereo input, your phone/device may distort the audio signal if turned up too loud. Turn down the volume on your phone/device before adjusting the volume on your NK SHOCKWAVE.


3-2 CONNECTION PRIORITY

Incoming and outgoing calls will always take precedence over audio playback. Audio content via 3.5mm stereo input will override wireless audio via Bluetooth.

4 GET TALKING

Your NK SHOCKWAVE can be used as a wireless speakerphone. Just speak in the direction of the front grill. The built-in microphone only works when connected via Bluetooth®.

4-1 ANSWER/END A CALL

Press the  PICK UP BUTTON on your NK SHOCKWAVE to both answer and end a call.

4-2 DECLINE AN INCOMING CALL

Hold the  PICK UP BUTTON for 2 seconds.

4-3 MAKE A CALL

Use your phone to dial as usual. Listen and talk through your NK SHOCKWAVE .

TROUBLESHOOTING

1. HEARING DISTORTION

- A. Lower the volume on your NK SHOCKWAVE and/or phone/device. (See section 3.1 Get the Best Sound)
- B. Make sure it's charged up. Check for low battery, then charge NK SHOCKWAVE via USB.

2. NOT LOUD ENOUGH?

- A. Turn up the volume on your phone/device or your NK SHOCKWAVE .
- B. Make sure it's charged up.
- C. Plug NK SHOCKWAVE in to your phone/device via 3.5mm stereo cable.

3. UNABLE TO PAIR WITH BLUETOOTH[®] DEVICE?

- A. Confirm that your phone/device is Bluetooth compatible.
- B. Follow GET CONNECTED instructions in this guide.
- C. Visit www.nakamichi-usa.com/support

4. EXPERIENCING SIGNAL LOSS OR DROPOUTS VIA BLUETOOTH?

- A. Move NK SHOCKWAVE closer to your phone/device.
- B. Make sure it's charged up.
- C. Turn off your NK SHOCKWAVE and phone/device, then power up and reconnect.

SPECIFICATIONS

Speakers Features

Power Output:	RMS 5W x 2
Speaker Type:	Active
Frequency Response:	50 Hz – 20 KHz
Output level (SPL):	80dB
Audio Amplifier:	Integrated
Speaker Size:	2 inch x 2
Distortion:	10%
Impedance:	2 Ω
Power Supply:	DC 5V/1A
Battery Life:	About 4 hours (varies by volume level and audio contents)

Bluetooth Specifications

Bluetooth Type:	Bluetooth 2.1 + EDR
Bluetooth Transmission Range:	33 feet (Open Distant)
Frequency Range:	2.40 GHz – 2.480 GHz

SAFETY INFORMATION

⚠️WARNING:

Please read these safety warnings and cautions carefully to ensure your personal safety and prevent property damage.

Fire and Electric Shock Hazard

- Do not expose your NK SHOCKWAVE Speaker to liquid, moisture, humidity, or rain. Do not use the NK SHOCKWAVE Speaker near a bathtub, sink, sauna, pool, or steam room. Exposure of the NK SHOCKWAVE Speaker to moisture could result in electric shock.
- Do not drop, disassemble, open, crush, bend, deform, puncture, shred, microwave, incinerate, paint, or insert foreign objects in to the NK SHOCKWAVE Speaker. Such actions could result in electric shock .
- Clean the NK SHOCKWAVE Speaker only with a dry cloth.
- Do not expose your NK SHOCKWAVE Speaker to extremely high or low temperatures.
- Do not leave your NK SHOCKWAVE Speaker in direct sunlight for extended periods of time.
- Do not leave your NK SHOCKWAVE Speaker near open flames such as cooking burners, candles, or fireplaces.
- Do not block any ventilation openings.

BATTERY/CHARGER HAZARD

- Do not dispose of your NK SHOCKWAVE Speaker in a fire. The battery could explode causing injury or death.
- Only charge the battery in accordance with the user instructions supplied with the NK SHOCKWAVE Speaker.
- Do not attempt to disassemble the NK SHOCKWAVE Speaker charger or force open the built-in battery because this may result in electric shock.
- Do not charge the NK SHOCKWAVE Speaker in damp areas or in extremely high or low temperatures because this could result in electric shock.
- Do not clean the NK SHOCKWAVE Speaker when it is being charged. Always unplug the charger first before cleaning the NK SHOCKWAVE Speaker.
- Automobile Accident Hazard
- Do not leave or store the NK SHOCKWAVE Speaker or any of its accessories near or over your automobile's air bag because serious injury may result when an air bag deploys.

Fall Hazard

- Do not place the NK SHOCKWAVE Speaker on high surfaces such as shelves. During music playback the NK SHOCKWAVE Speaker may move which could cause the NK SHOCKWAVE Speaker to shift and fall off of the edge.

CAUTION

- Do not use abrasive cleaners to clean your NK SHOCKWAVE Speaker because this could cause scratches and damage.
- Do not bring your NK SHOCKWAVE Speaker in to contact with any sharp objects because this could cause scratches and damage.
- Do not insert anything into your NK SHOCKWAVE Speaker unless otherwise specified in the user instructions. This may damage the internal components.
- Do not attempt to repair, modify, or disassemble your NK SHOCKWAVE Speaker yourself, it does not contain any user-serviceable components.
- Do not attempt to replace your NK SHOCKWAVE Speaker battery, it is built-in and is not changeable.
- Observe all signs and displays that require an electrical device or RF radio product to be switched off in designated areas.
- Turn off your NK SHOCKWAVE Speaker prior to boarding an aircraft. Do not use the NK SHOCKWAVE Speaker inside an aircraft unless allowed by your airline.
- Dispose of the NK SHOCKWAVE Speaker and the NK SHOCKWAVE Speaker's battery in accordance with local regulations. Do not dispose of the battery with regular household waste.

WARNING:

Changes or modifications to this unit not expressly approved by the party responsible for compliance could void the user's authority to operate the equipment.

FCC STATEMENT

This equipment has been tested and found to comply with the limits for a Class B digital device, pursuant to Part 15 of the FCC Rules. These limits are designed to provide reasonable protection against harmful interference in a residential installation. This equipment generates uses and can radiate radio frequency energy and, if not installed and used in accordance with the instructions, may cause harmful interference to radio communications. However, there is no guarantee that interference will not occur in a particular installation. If this equipment does cause harmful interference to radio or television reception, which can be determined by turning the equipment off and on, the user is encouraged to try to correct the interference by one of the following measures:

- Reorient or relocate the receiving antenna.
- Increase the separation between the equipment and receiver.

- Connect the equipment into an outlet on a circuit different from that to which the receiver is connected.
- Consult the dealer or an experienced radio/TV technician for help.

FCC NOTICE

This device complies with Part 15 of the FCC Rules. Operation is subject to the following two conditions:

1. This device may not cause harmful interference, and
2. This device must accept any interference received, including interference that may cause undesired operation.

FCC CAUTION

- Any changes or modifications not expressly approved by the party responsible for compliance could void the user's authority to operate this equipment.
- This device and its antenna(s) must not be co-located or operating in conjunction with any other antenna or transmitter.

FCC ID: QE3B-02

- To locate the FCC identification numbers, please look on the underside of the speaker.

WoW Technologies LIMITED WARRANTY (U.S Only)

WoW Technologies warrants this product against defects in materials or workmanship, under normal use, in accordance with the specifications and warnings, for a period of 12 months from the original date of purchase of the product. Pursuant to this Limited Warranty, WoW Technologies will, at its option, (i) repair the product using new or refurbish parts or (ii) replace the product with a new or refurbished product. For purpose of this Limited Warranty, “refurbished” means a product or part that has been returned to its original specifications.

The Limited Warranty covers only the hardware components packaged with the Product. It does not cover product issues caused by any other reasons, including but not limited to damages or malfunctions not resulting from defects in materials or workmanship under normal use,

repair by unauthorized parties, tampering, misuse, modification, acts of GOD, accident. It does not cover limitations of technology or product purchased from other than WoW Technologies or WoW Technologies’ authorized retailer, technical assistance for hardware or software usage, and it does not cover any software products whether or not contained in the Product; any such software is provided “AS IS” unless expressly provided for in any enclosed software Limited Warranty.

There are no other express or implied warranties. WoW Technologies’ liability is limited to repair or, at its sole option, replacement of the product. Incidental, special and consequential damages are disclaimed where permitted by law.

To obtain warranty service, you must deliver the product with the valid proof of purchase in the form of original sales receipt from WoW Technologies or a WoW Technologies' retailer showing the product name and the date of purchase, freight prepaid, in either its original packaging or packaging affording an equal degree of protection to our Support Centre. Please visit our website www.nakamichi-usa.com/support or email to support@nakamichi-usa.com for customer support or to obtain specific instructions on how to obtain warranty service for your product.

WOW TECHNOLOGIES

2645 Brooklyn Queens Expressway W.,
Woodside, NY 11377

Product Code: