

(4) PA-300 Power Amplifier

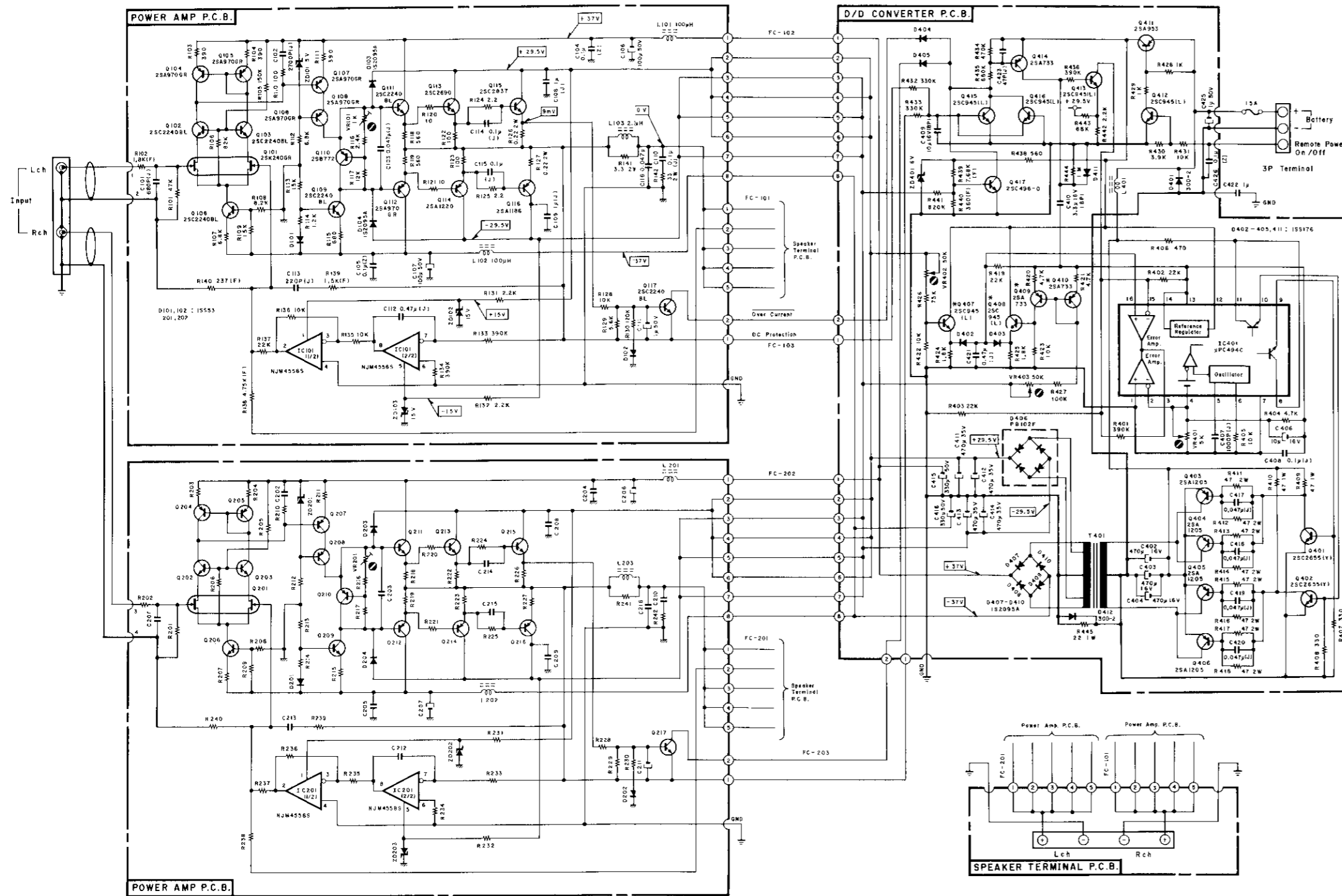


Fig. 10

“Caution”

1. If a part is in need of removing (or replacing) for service, it should be remounted (or replaced with specified parts) by the same methods as before after servicing.
2. The appliance should be used only specified parts for preventing a risk of fire and electric shock and maintaining the characteristics.
3. Before returning the repaired appliance to a customer, check to insure that the exposed part is accurately insulated from the Power Supply by measuring the leakage current or the insulation resistance between them.

- Notes:
1. Diode is 1SS53, 1S1555, or 1SS176 unless otherwise specified.
 2. Resistor and capacitor marked with * show typical value.
 3. 2SA733, 2SA608SP, 2SA1048 and 2SA1175 are interchangeable with each other.
 4. 2SC945, 2SC536SP, 2SC2458 and 2SC2785 are interchangeable with each other.

2. Information of Main Modifications after Issue of Service Manual

Note: Following modifications are already applied for the Europe version.

2.1. Improvement of FM S/N Ratio

Applied Serial No.: C60103709 –

Modification:

R386 (1 K Ω) has been added between the base and emitter (GND) of Q305 on the Tuner P.C.B. Ass’y in order to improve the FM S/N ratio approx. 5 dB.

Part No.:

Added: R386 0B09667A Carbon Resistor
1K Ω 1/6W J

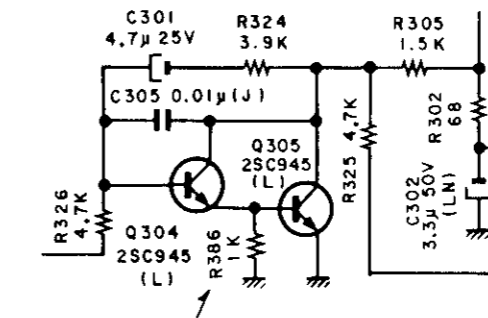


Fig. 11 Tuner P.C.B. Ass’y

2.2. Modification of ACC Input Circuit

Applied Serial No.: C60103709 –

Modification:

R635 on the CPU P.C.B. Ass’y has been changed from 2.2 K to 1 K. When a car without ACC position is used, ACC line voltage drops when the starter of the car is activated, resulting in erroneous CPU operation. To prevent this R635 has been changed.

Part No.:

Added: R635 0B01857A Carbon Resistor
1K Ω 1/4W J

Removed: R635 0B05622A Carbon Resistor
2.2K Ω 1/4W J

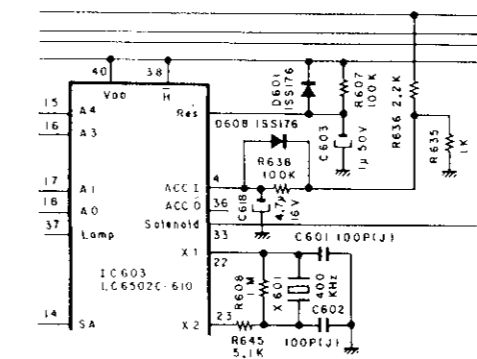


Fig. 12 CPU Control P.C.B. Ass’y

2.3. Modification of Back Tension

Applied Serial No.: C60103709 –

Modification:

To obtain stronger torque and better wow/flutter characteristics, back tension spring and associated parts have been changed.

Part No.:

New Part No.:

- 06: 0C08445A Reel Hub Cap
- 37: 0C08589A Tension Spring Sleeve
- 38: 0C08467D Back Tension Spring
- L13: 0E03132A Washer 2.1x6x0.25t

Current Part No.:

- 06: 0C08445A Reel Hub Cap
- 07: 0C08467C Back Tension Spring
- 08: CA08424A Reel Table Ass’y
- L03: 0E03061A Washer 2.1 mm

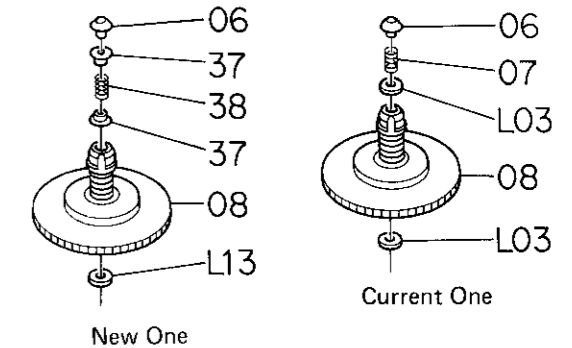


Fig. 13