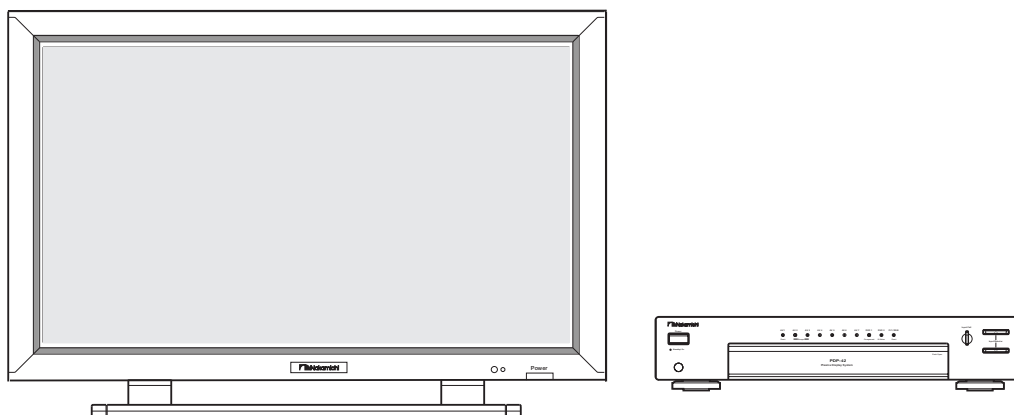


Service Manual

PDP-42

Plasma Display System



CONTENTS

1. GENERAL	2
2. DISPLAY PANEL	3
2-1 Location of Major Parts	3
2-2 Removal Procedures	4
3. VIDEO PROCESSOR / CONTROL UNIT	6
3-1 Location of Major Parts	6
3-2 Removal Procedures	6
3-3 A/D Converter Level Adjustment	7
4. MECHANICAL ASS'Y and PARTS LIST (Display Unit)	8
5. ELECTRICAL PARTS LIST (Display Unit)	11
6. MECHANICAL ASS'Y and PARTS LIST (Control Unit)	12
7. ELECTRICAL PARTS LIST (Control Unit)	14
8. PACKAGE ASS'Y AND ACCESSORY KIT	17
9. DESK TOP STAND PARTS LIST	17
10. RECOMMENDED SPAER PARTS LIST	18
11. IC BLOCK DIAGRAMS	19
12. SPECIFICATIONS	27

For Schematic Diagrams, and Mounting Diagrams, see the separate volume.

1. GENERAL

1.1 Product Code

R535: PDP-42

R554: PDP-42 Display Unit

R555: PDP-42 Control Unit

N935: PDP-42 Accessory Kit

N225: PDP-42 Stand Ass'y

1.2 Destinations

CAN, CH, DA, EP, HK, JPN, OTR, TW, UK, USA,

Abbreviations

CAN - Canada

CH - China

DA - South America

EP - Europe

HK - Hong Kong

JPN - Japan

OTR - Other


TW - Taiwan

UK - United Kingdom

USA - U.S.A.

1.3 Cautions / Warnings

(1) Product Safety Notice

Parts marked with the symbol  in the schematic diagram have critical characteristics.

Use ONLY replacement parts recommended by the manufacturer. It is recommended that the unit be operated from a suitable DC supply or batteries during initial check-out procedures.

(2) Leakage Current Check / Resistance Check

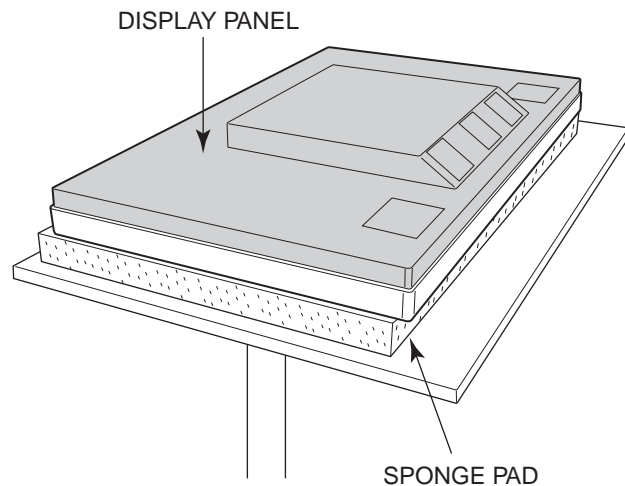
Before returning the unit to the customer, make sure you make either (1) a leakage current check or (2) a line to chassis resistance check. If the leakage current exceeds 0.5 milliamp, or if the resistance from chassis to either side of the power cord is less than 240 k ohms, the unit is defective.

1.4 Precautions in Repairing

1. When the base is removed for repair or adjustment, be sure that there are no metal objects in the narrow gap between the P.C.B. assembly or the mechanical part and the base.
2. When soldering the Microprocessor and Video signal processing ICs, use a ceramic soldering iron or a soldering iron whose metal part is grounded since they are not resistant to static electricity.
3. Make sure that wires do not contact heat producing parts.
4. Check that replaced wires do not contact sharp edged or pointed parts.
5. Make sure that foreign object (screws, solder droplets etc.) do not remain inside the set.

1.5 Precautions concerning the DISPLAY PANEL

1. Never lay the DISPLAY PANEL directly on a table. Placing the display panel directly on the table may cause serious damage to the DISPLAY TUBE. You must place a sponge pad (or some other soft material) on the table first then place the DISPLAY PANEL on top of the pad.



2. Never carry or move the DISPLAY PANEL alone. At least two people should be used to move it. Adding too much stress to the DISPLAY PANEL may cause serious damage to the DISPLAY TUBE. Use extreme caution when handling.
3. As the DISPLAY TUBE is a vacuum tube, never damage the neck (protruding) part of the tube. Use extreme caution when handling (the DISPLAY BLOCK is an extremely expensive piece of equipment).

2. DISPLAY PANEL

2-1 Location of Major Parts

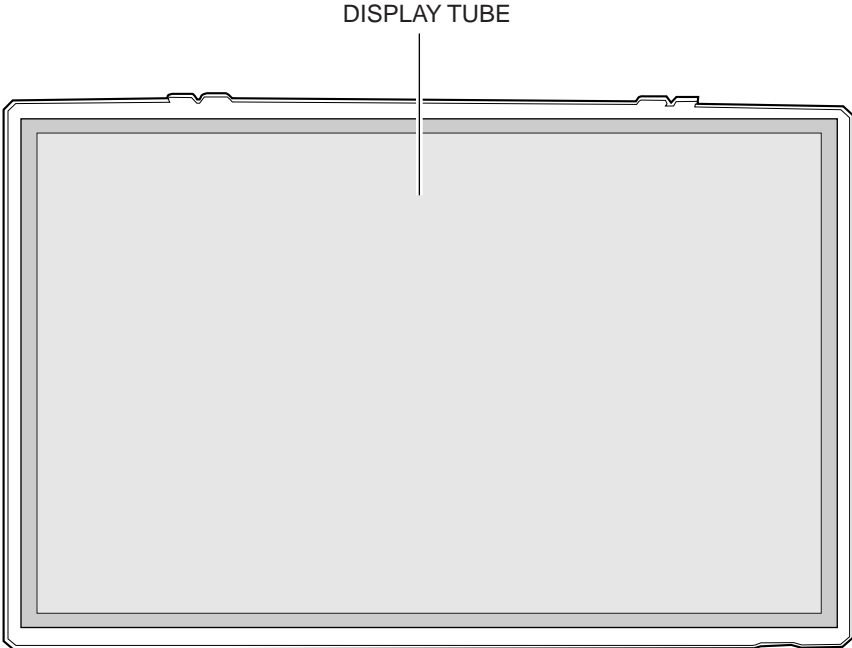


Fig.2-1 Front View

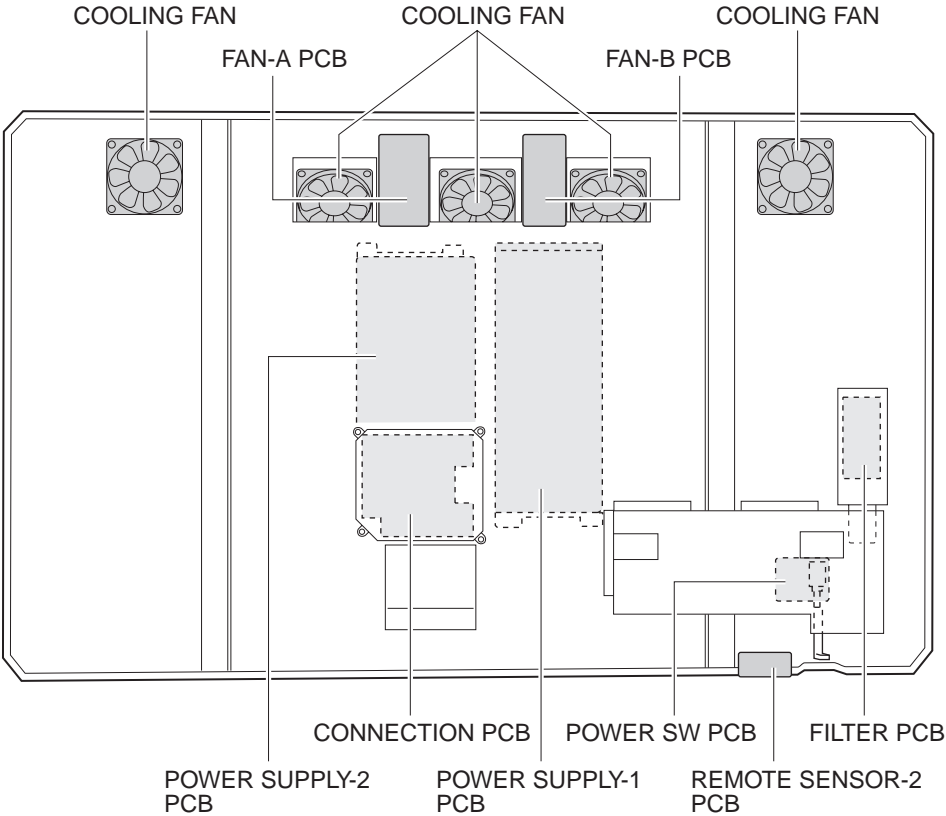


Fig.2-2 Front View (under the DISPLAY BLOCK)

2-2 Removal Procedures

2-2-1. REAR COVER

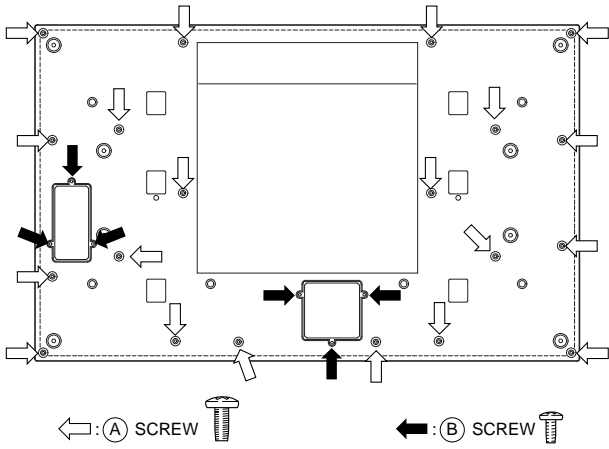


Fig.2-3

- (1) Remove the 20 Ⓐ screws (marked) on the REAR COVER.
- (2) Remove the 6 Ⓑ screws (marked) on the REAR COVER.
- (3) Carefully remove the REAR COVER from the DISPLAY PANEL.

2-2-2. FRONT COVER

- 1) Place the DISPLAY PANEL face up on the sponge pad.
- 2) Remove the 16 retaining screws (top & bottom : 5 each, left & right : 3 each).

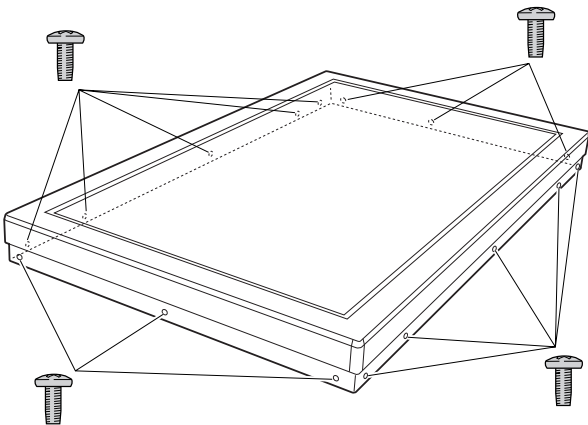


Fig.2-4

- 3) Carefully lift up and remove the FRONT COVER.

2-2-3. Removal of the DISPLAY BLOCK

- 1) Place the DISPLAY PANEL on the sponge pad so that the front is facing down.
- 2) Remove the 4 retaining screws (marked) on the left side POWER SUPPLY-2 PCB and move the PCB to remove the 3 connectors on the base.

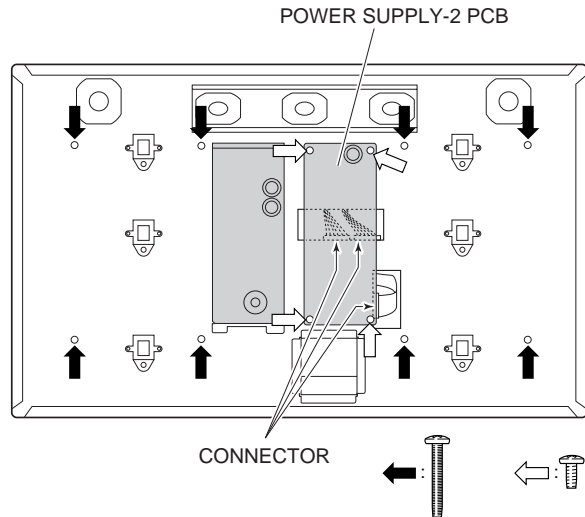


Fig.2-5

- 3) Remove the 8 retaining screws (marked) that secure the DISPLAY BLOCK.
- 4) Carefully lift the chassis straight up to remove the DISPLAY BLOCK.
- 5) If DISPLAY BLOCK replacement is necessary, use extreme caution not to break the protruding part of the DISPLAY TUBE.

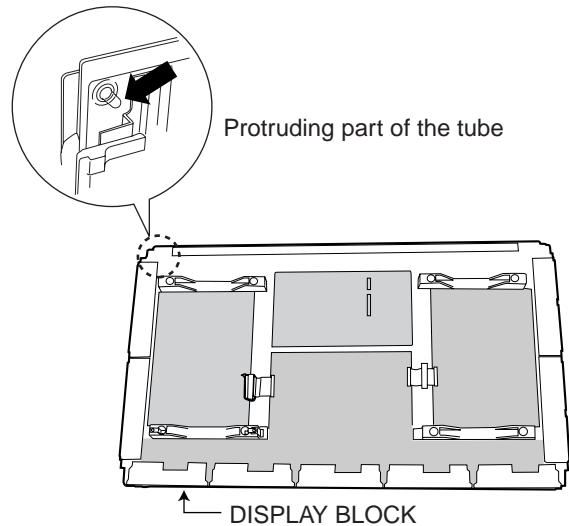


Fig.2-6

2-2-4. Reassembling the DISPLAY BLOCK

1) Reassemble in the reverse order for installation.

Special notes before placing the chassis on the DISPLAY BLOCK !

When placing the chassis on the DISPLAY BLOCK, use extreme caution not to break the protruding part of the DISPLAY TUBE as shown in Fig.2-6.

2) When placing the FRONT COVER on the display block, connect the lower side first (taking care to avoid damaging the REMOTE SENSOR-2 PCB), but do not push all the way down yet.

Then connect the upper side of the FRONT COVER to the display block by inserting the two thin metal plates (they look like a pair of bookends) between the chassis and the FRONT COVER (Ⓐ and Ⓑ part).

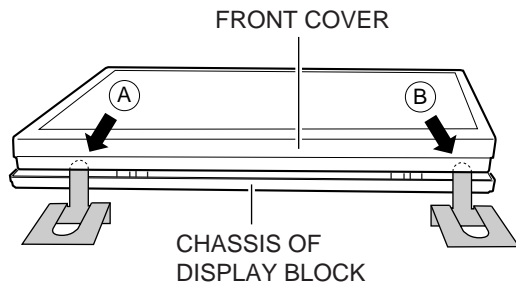


Fig.2-7

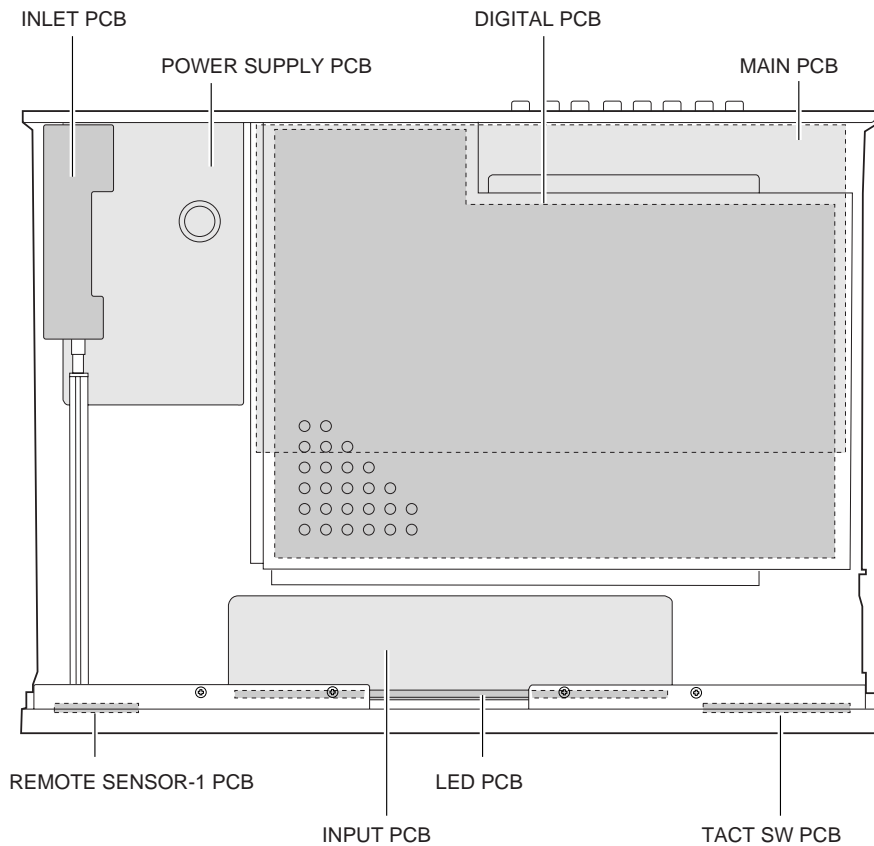
Next carefully press the upper and lower FRONT COVER until the FRONT COVER completely engages to the chassis of DISPLAY BLOCK.

Cautions:

- 1) When moving the DISPLAY BLOCK, do not hold the glass section of the DISPLAY TUBE when doing so as this may damage the glass.
- 2) Please be sure to wipe off any dust that may have collected on top of the DISPLAY TUBE before attaching the FRONT COVER to the DISPLAY BLOCK.

3. VIDEO PROCESSOR / CONTROL UNIT

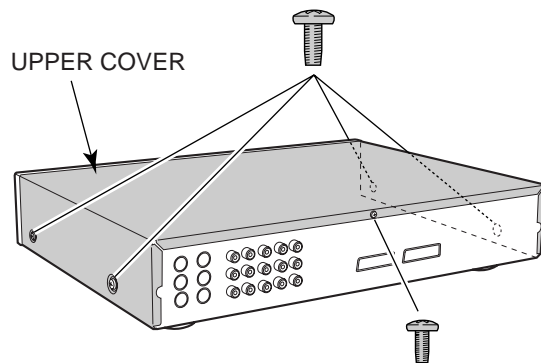
3-1 Location of Major Parts



3-2 Removal Procedures

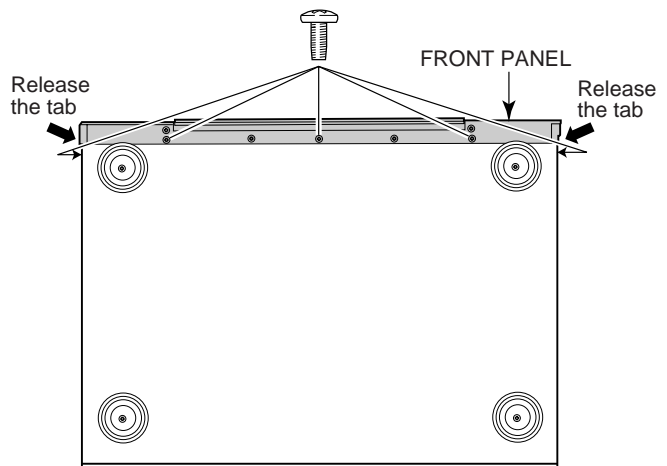
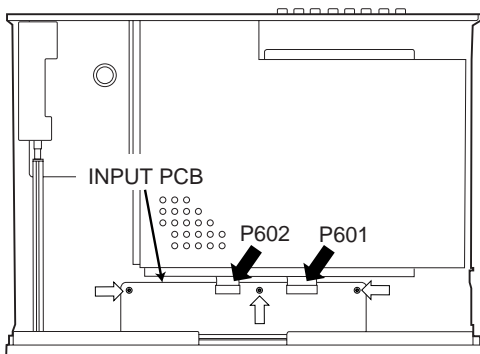
3-2-1. UPPER COVER

- (1) Remove five screws and detach the Upper cover from the unit.



3-2-2. FRONT PANEL BLOCK

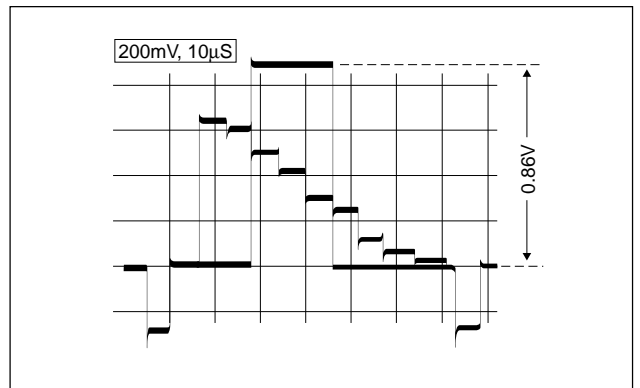
- (1) Remove the five screws on the bottom.
- (2) Disconnect the two flat cables from the P601 & P602 connectors on the INPUT PCB.
- (3) Remove the three screws (marked) on the INPUT PCB.
- (4) Release the tabs on both sides and remove the Front Panel Block by gently pulling it forward. The power button will be disengaged from the Power joint.



3-3 A/D Converter Level Adjustment

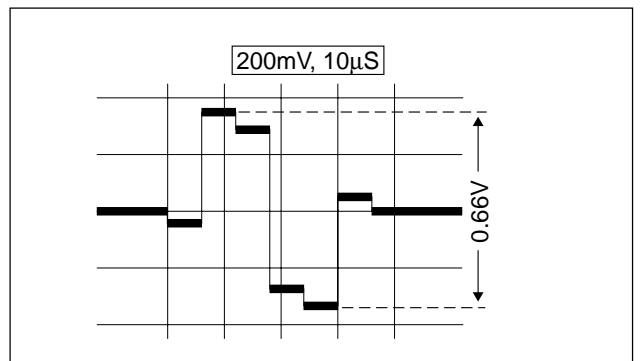
3-3-1. Y level adjustment

- 1) Connect a color bar generator (PAL or NTSC) to the AV4 composite video input and supply a PAL or NTSC color bar signal (1.0 Vp-p output level, 100.0.75.0 colour bars).
- 2) Connect an oscilloscope to TP41 then adjust VR41 so that the level between the white peak and the pedestal point is 0.86 Vp-p as shown.



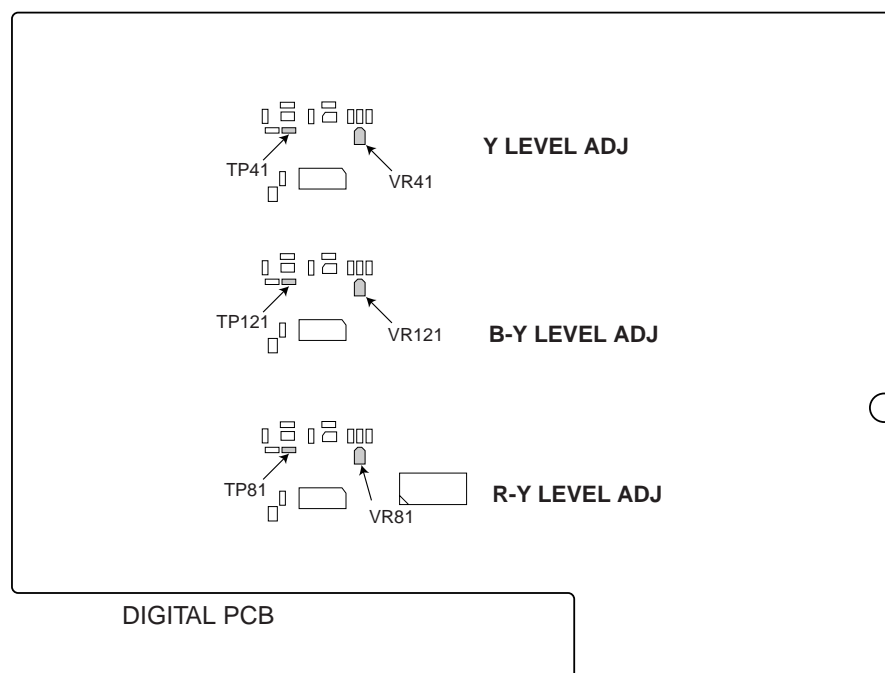
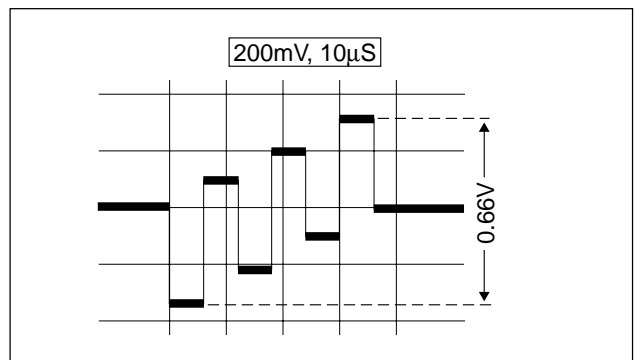
3-3-2. R-Y level adjustment

- 1) Connect a color bar generator (PAL or NTSC) to the AV4 composite video input and supply a PAL or NTSC color bar signal (1.0 Vp-p output level, 100.0.75.0 colour bars).
- 2) Connect an oscilloscope to TP81 then adjust VR81 so that the waveform level is 0.66 Vp-p as shown.



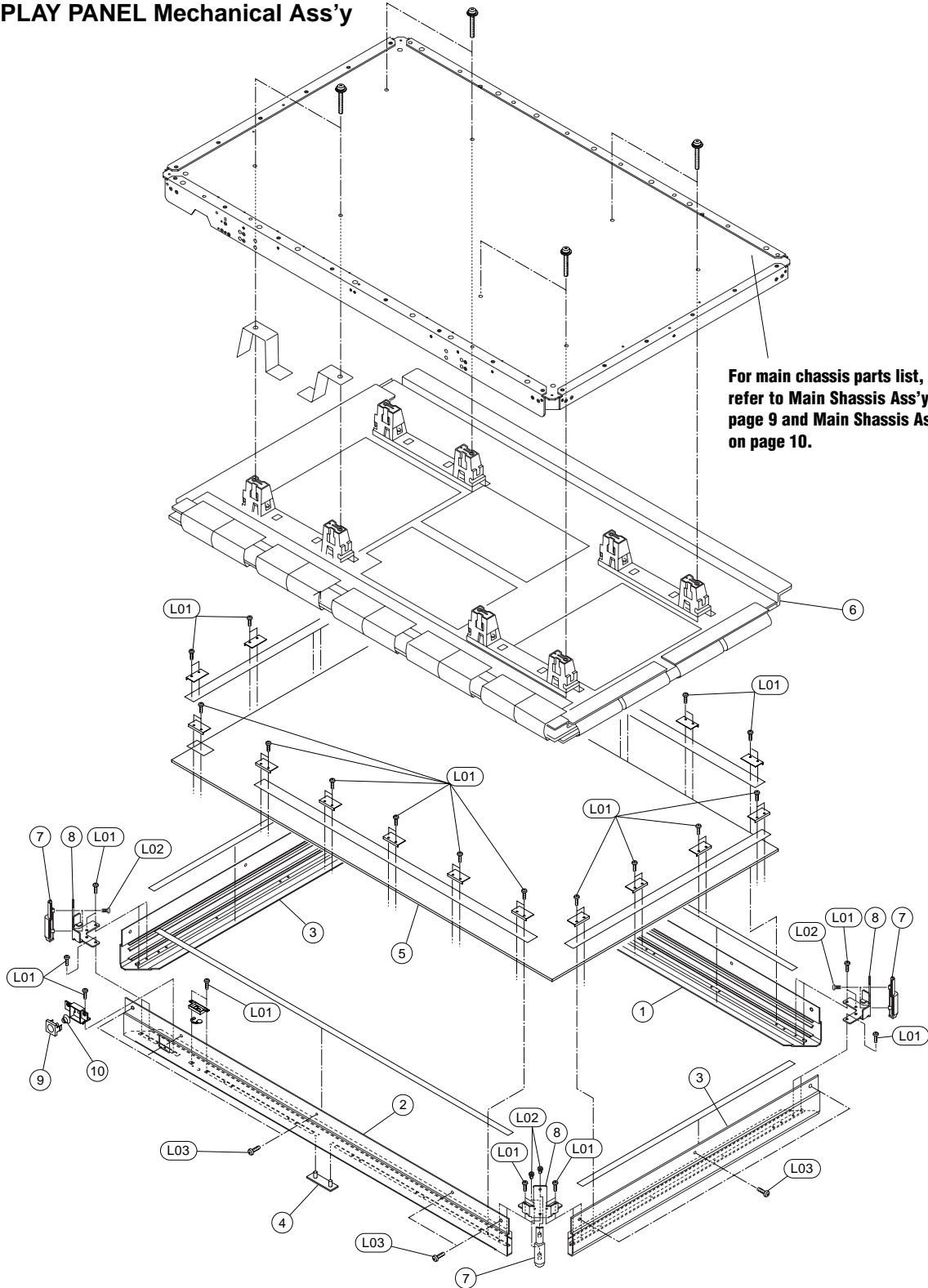
3-3-3. B-Y level adjustment

- 1) Connect a color bar generator (PAL or NTSC) to the AV4 composite video input and supply a PAL or NTSC color bar signal (1.0 Vp-p output level, 100.0.75.0 colour bars).
- 2) Connect an oscilloscope to TP121 then adjust VR121 so that the waveform level is 0.66 Vp-p as shown.



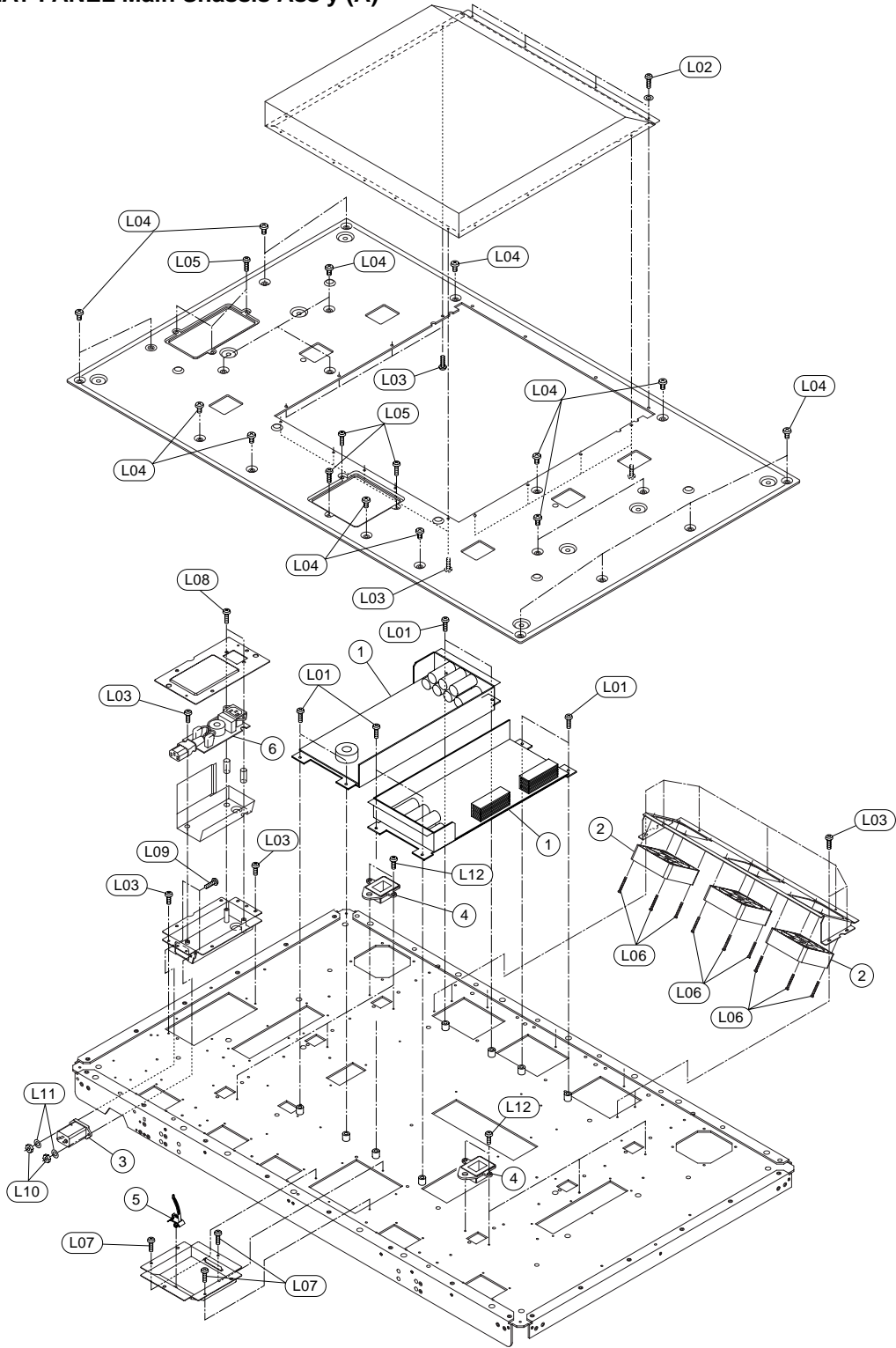
4. MECHANICAL ASS'Y AND PARTS LIST (Display Unit)

4-1 DISPLAY PANEL Mechanical Ass'y



Ref. No.	Part No.	Description	Q'ty	Ref. No.	Part No.	Description	Q'ty
1	0H08889A	P.Flame (C) R554	1	9	0H08894A	Power Button R554	1
2	0H08890A	P.Flame (D) R554	1	10	0J08677A	Power Button Spring	1
3	0H08891A	P.Flame (E) R554	2	L01	0E04251A ST	3x6 + Binding CMT	
4	0H08823A	N.Plate R554	1	L02	0E04257A BT	3x10 + Binding CMT	
5	0B90989A	Optical Filter PDF-69	1	L03	0E04302A	TRS40x06SUS BDY	
6	0B90990A	PDP Unit R554	1				
7	0H08892A	Panel Corner R554	4				
8	0J08683A	Angle Panel R554	4				

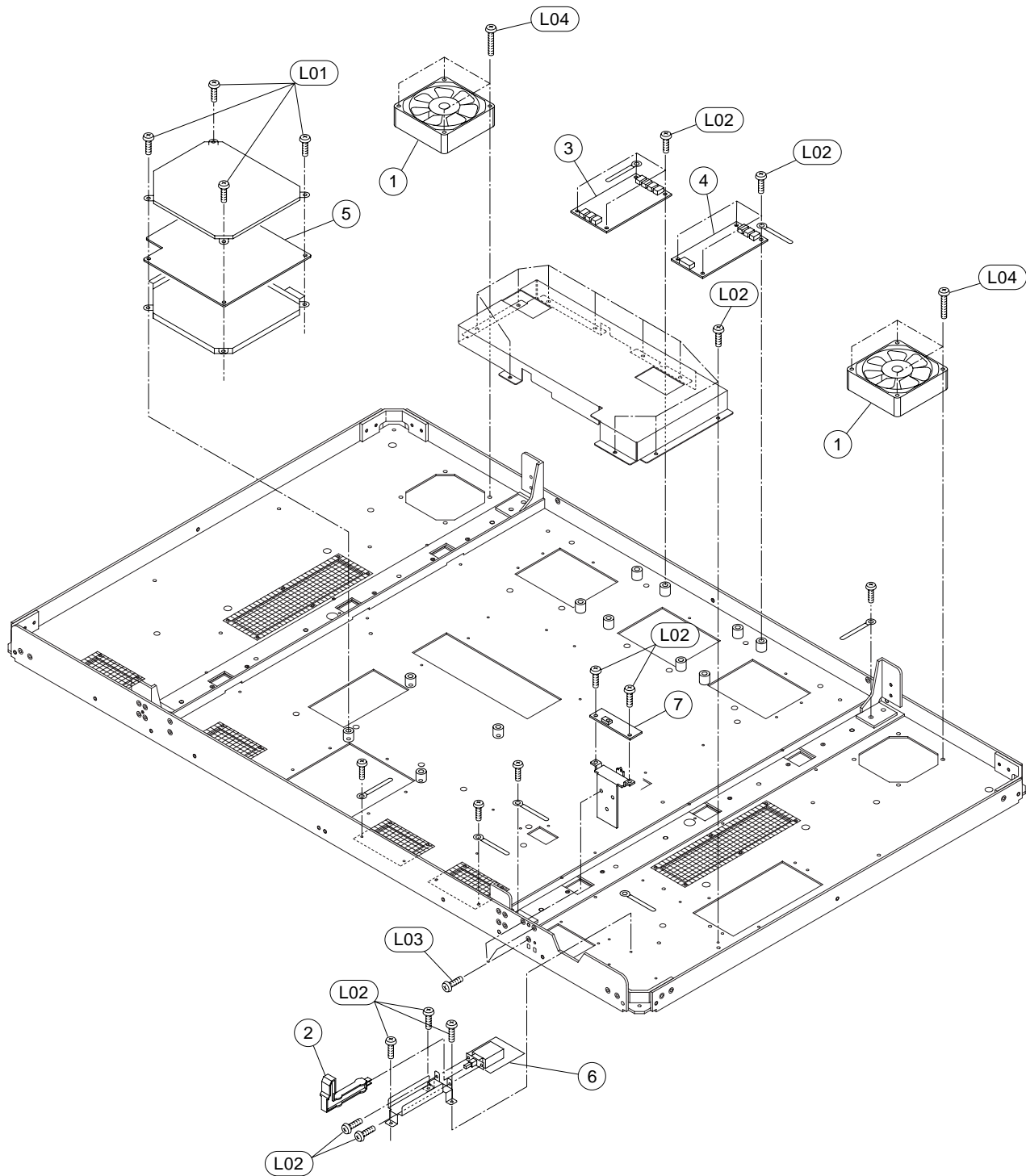
4-1-1 DISPLAY PANEL Main Shassis Ass'y (A)



Ref. No.	Part No.	Description	Q'ty	Ref. No.	Part No.	Description	Q'ty
A-1	0B50432A	P.Supply RPS-8247	1	L04	0E04276A	BID40x06STL BNI	
A-2	0B90988A	Motor Fan	3	L05	0E04271A	BID30x06STL BNI	
A-3	0B85756A	Inlet ZUG2210-11	1	L06	0E04280A	BID40x30STL CMT	
A-4	0J08674A	Sapcer Stand	6	L07	0E04251A ST	3x6 + Binding CMT	
A-5	0B90984A	Clamp TL-20S	1	L08	0E04273A	BID30x08STL BNI	
A-6	BK10471A	Filter P.C.B. Ass'y R554	1	L09	0E04275A	BID30x12STL BZN	
L01	0E04278A	BID40x08STL CMT		L10	0E04285A	N30STL CMT 3	
L02	0E04295A ST	BID30x05STL BNI		L11	0E04291A	PW32x080x100NYL	
L03	0E04251A ST	3x6 + Binding CMT		L12	0E04283A	CTS30x06STL CMT	

MECHANICAL ASS'Y AND PARTS LIST (Display Unit)

4-1-2 DISPLAY PANEL Mechanical Ass'y (B)



Ref.No.	Part No.	Description	Q'ty	Ref.No.	Part No.	Description	Q'ty
B-1	0B90988A	Motor Fan	2	L01	0E04274A	BID30x08STL CMT	
B-2	0H08887A	Cap SW	1	L02	0E04251A	ST 3x6 + Binding CMT	
B-3	BK10483A	Fan-A P.C.B. Ass'y R554	1	L03	0E04283A	CTS30x06STL CMT	
B-4	BK10484A	Fan-B P.C.B. Ass'y R554	1	L04	0E04280A	BID40x30STL CMT	
B-5	BK10469A	Connection P.C.B. Ass'y R554	1				
B-6	BK10486A	Power Switch P.C.B. Ass'y R554	1				
B-7	BK10482A	REM P.C.B. Ass'y R554	1				

5. ELECTRICAL PARTS LIST (Display Unit)

Notes:

- Abbreviations
TR-Transistor, SID-Silicon Diode, ZD-Zener Diode,
RC-Cement Resistor, RF-Fail Safe Type Resistor,
IC-Integrated Circuit, CML-Mylar Capacitor.
- Parts marked with * show chip parts.

5-1 Connection P.C.B. Ass'y

Ref. No.	Part No.	Description	Q'ty
	BK10469A	CONNECTION P.C.B. ASS'Y R554	
	0B61640A	Connection P.C.B.	1
D1,2	0B13151A SID	1SS355TE-17*	2
D3,4	0B12586A SID	1N4002	2
D5,6	0B12586A SID	1N4002	2
D7	0B12586A SID	1N4002	1
IC1	0B13292A IC	DS90CF584MTD*	1
IC2,3	0B13282A IC	74F541SJX*	2
IC4,5	0B13282A IC	74F541SJX*	2
IC6	0B13280A IC	74F04SJX*	1
IC8	0B13287A IC	BU4066BCF-E2*	1
L1,2	0B50416A	Coil 101K (3225)*	2
L3	0B50416A	Coil 101K (3225)*	1
L4,5	0B50417A	Coil 2R2M (3225)*	2
L6,7	0B50416A	Coil 101K (3225)*	2
TR1	0B13246A TR	2SB1132-P/Q/R*	1
TR10	0B13266A TR	DTC144EKA*	1
TR11	0B13246A TR	2SB1132-P/Q/R*	1
TR2	0B13245A TR	2SA1037AK-R/S*	1
TR3	0B13247A TR	2SC2412K-R/S*	1
TR4	0B13245A TR	2SA1037AK-R/S*	1
TR5	0B13263A TR	DTA143TKA*	1
TR6,7	0B13266A TR	DTC144EKA*	2
TR8,9	0B13266A TR	DTC144EKA*	2
P1	0B85776A	40P SOCKET 10240-1210VE*	1
P4	0B85785A	68P SOCKET FX2B-68PA	1
R45	0B21790A RC	BGR7 220J (7W)	1
R56,57	0B21826A RF	ERG1SJ221V (1W)	2

5-2 Fan-A P.C.B. Ass'y

Ref. No.	Part No.	Description	Q'ty
	BK10483A	FAN-A P.C.B. ASS'Y R554	
D414,415	0B13258A SID	1N4002-N02	2
D416,417	0B13258A SID	1N4002-N02	2
D418,419	0B13258A SID	1N4002-N02	2
D420	0B13258A SID	1N4002-N02	1
D441,442	0B13258A SID	1N4002-N02	2
D443,444	0B12249A SID	1SS133	2
D447,448	0B12249A SID	1SS133	2
D449,450	0B12249A SID	1SS133	2
IC411	0B13300A IC	NJM2058M-TE2*	1
IC412	0B13288A IC	BU4093BF-E2*	1
IC413	0B13287A IC	BU4066BCF-E2*	1
JS411	0B85737A	W.Jumper P7.5(18)	1
L411,412	0B50391A	Coil EL0606RA 101K	2
TR415	0B13247A TR	2SC2412K-R/S*	1

5-3 Fan-B P.C.B. Ass'y

Ref. No.	Part No.	Description	Q'ty
	BK10484A	FAN-B P.C.B. ASS'Y R554	
D424,425	0B13258A SID	1N4002-N02	2
D426,427	0B13258A SID	1N4002-N02	2
D428,429	0B13258A SID	1N4002-N02	2
D430	0B12249A SID	1SS133	1
D471	0B12249A SID	1SS133	1
D474,475	0B12249A SID	1SS133	2
IC421	0B13300A IC	NJM2058M-TE2*	1
L421	0B50391A	Coil EL0606RA 101K	1

5-4 Power Switch P.C.B. Ass'y

Ref. No.	Part No.	Description	Q'ty
	BK10486A	POWER SWITCH P.C.B. ASS'Y R554	
	0B61655A	Power Switch P.C.B. R554	
P491	0B85763A	Plug 178496-1 2P	1
P492	0B85764A	Plug 178496-4 2P	1
SW491	0B70310A	Push Switch SDDFC3	1

5-5 Remote Sensor-2 P.C.B. Ass'y

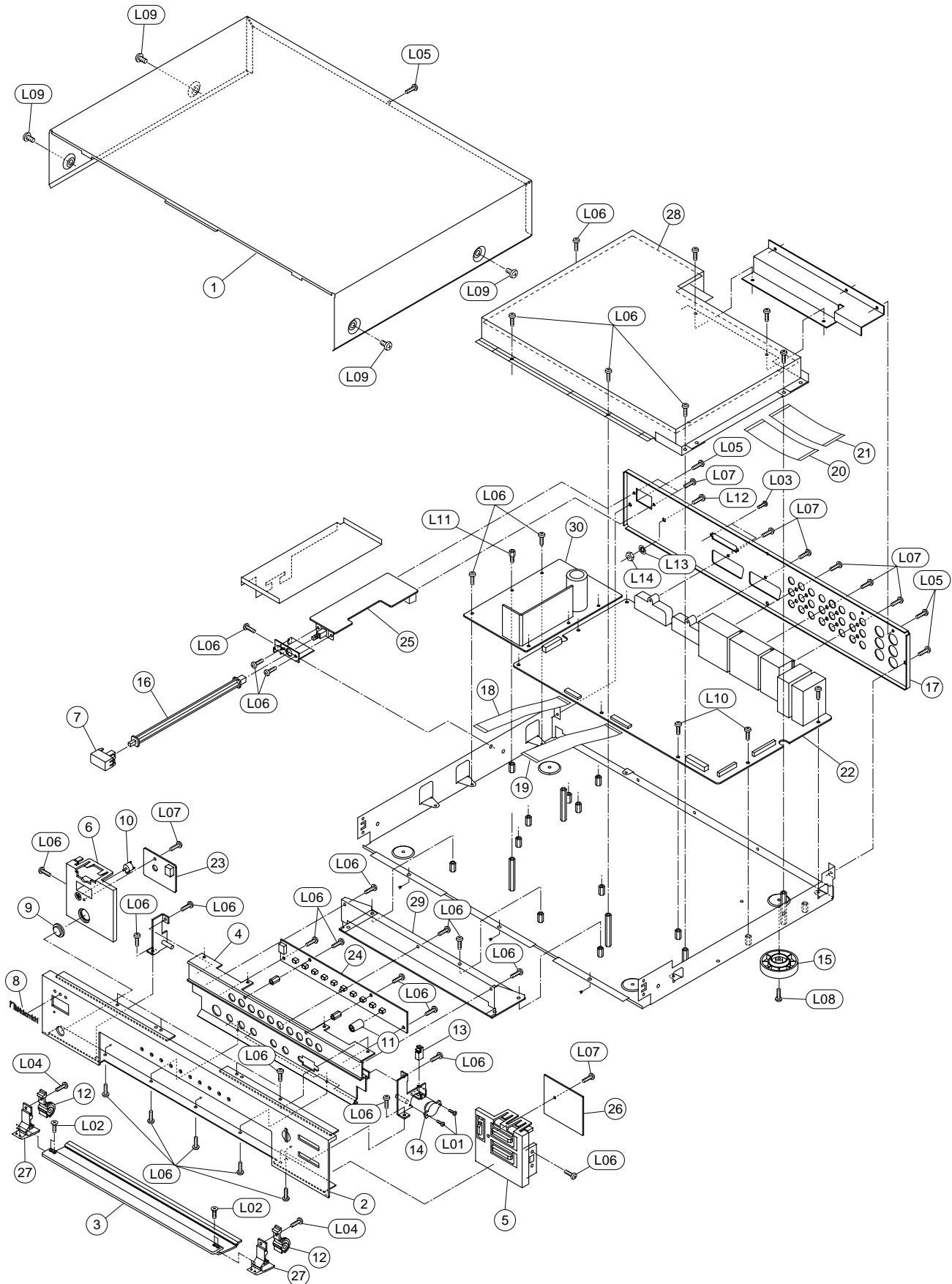
Ref. No.	Part No.	Description	Q'ty
	BK10482A	REM SENSOR-2 P.C.B. ASS'Y R554	
	0B61651A	REM Sensor-2 P.C.B. R544	
D401	0B12249A SID	1SS133	1
D402	0B13237A	LED SML78423CTP15	1
PH401	0B13240A	PHT S. GP1U261X	1

5-6 Filter P.C.B. Ass'y R554

Ref. No.	Part No.	Description	Q'ty
	BK10471A	FILTER P.C.B. ASS'Y R554	
	0B61642A	Filter P.C.B. R544	
C1	0B43334A CML	RE-L 684K275V	1
L1	0B50428A	LF FK-130G-1020H	1
P1	0B85755A	INLET M1908-C 3P	1
R1	0B21791A RF	RCR60 105J (1W)	1
W00100	BG10464A	NLET CODE ASS'Y R554	1

6. MECHANICAL ASS'Y AND PARTS LIST (Control Unit)

6-1 CONTROL UNIT Mechanical Ass'y



6-1 CONTROL UNIT Mechanical Ass'y

Ref. No.	Part No.	Description	Q'ty
1	0H08929A	Upper Cover R555	1
2	0H08918A	Front Panel R555	1
3	0H08920A	Door Panel R555	1
4	0H08919A	Center Panel R555	1
5	0H08911A	Panel Side-R R555	1
6	0H08906A	Panel Side-L R555	1
7	0H08914A	Power Button R555	1
8	0H08849A	N. Plate V676GRAY	1
9	0H08908A	IRD Window R555	1
10	0H08907A	Power Lens R555	1
11	0H08909A	LED Lens R555	10
12	0J08701A	Gear R555	2
13	0H08916A	M-Side Ratch 091Y	1
14	0J08697A	Damper 2G50-E	1
15	0H08915A	Foot (P)	4
16	0J08698A	power Joint R555	1
17	0H08917C	Rear Panel (Except USA/CAN)	1
	0H08928B	Rear Panel (USA/CAN)	1
18	0B85753A	FFC MA-FR L=95 15P	1
19	0B85754A	FFC MA-FR L=95 21P	1
20	0B85751A	FFC 26P L=90 MA-DI	1
21	0B85752A	FFC MA-DI L=90 30P	1
22	BK10474A	Main P.C.B. Ass'y R555	1
23	BK10480A	REM Sensor-1 P.C.B. Ass'y R555	1
24	BK10481A	LED P.C.B. Ass'y R555	1
25	BK10485A	Inlet P.C.B. Ass'y (Except USA/CAN) R555	1
	BK10487A	Inlet P.C.B. Ass'y (USA/CAN) R555	1
26	BK10479A	Tact P.C.B. Ass'y R555	1
27	0H08913A	Door Arm R555	2
28	BK10470A	Digital P.C.B. Ass'y R555	1
29	BK10478A	Input P.C.B. Ass'y R555	1
30	0B50430A	S.Trans HS-832AF (Except USA/CAN)	1
	0B50431A	S.Trans HS-832AF (USA/CAN)	1
L01	0E04286A	PAN20x05STL BZN	
L02	0E04281A	CTS20x05STL NI3	
L03	0E04269A	BID25x08STL BZN	
L04	0E04270A	BID30x04STL CMT	
L05	0E04297A ST	BID30x06STL BNI	
L06	0E04251A ST	3x6 + Binding CMT	
L07	0E04262A BT	3x8 + Binding BZN (Except USA/CAN)	
	0E00915A	BT4x8 AID BNI (USA/CAN)	
L08	0E04261A ST	3x10 + Binding CMT	
L09	0E04299A ST	BID40x06STL BNI	
L10	0E04300A ST	PAN30x06STL CMT	
L11	0J08703A	EX PILLAR 6	
L12	0E04276A	BID4x6 STL BNI (USA/CAN)	
L13	0E04381A	SW4 STL CMT (USA/CAN)	
L14	0E00506A	NT4 (USA/CAN)	

7. ELECTRICAL PARTS LIST (Control Unit)

Notes:

- Abbreviations
TR-Transistor, SID-Silicon Diode, ZD-Zener Diode,
RC-Cement Resistor, RF-Fail Safe Type Resistor,
IC-Integrated Circuit, CML-Mylar Capacitor.
- Parts marked with * show chip parts.

7-1 Inlet P.C.B. Ass'y

Ref.No.	Part No.	Description	Q'ty
	BK10487A	INLET P.C.B. Ass'y (USA/CAN) R555	
	0B61654A	Inlet P.C.B. (Except USA/CAN) R555	
	0B61656A	Inlet P.C.B. (USA/CAN) R555	
C431	0B43333A CML	RE-C 224K275V	1
L431	0B50470A	LINE FILTER (HF2022R-402Y)	1
P431	0B85783A	SOCKET 3 176976-1	1
P432	0B90970A	AC INLET M1932 (Except USA/CAN)	1
P432	0B91046A	AC INLET M1818 3P (USA/CAN)	1
SW431	0B70311A	PUSH SWITCH SDDL B1	1
TH431	0B13312A	THERM M22007CS CUT	1

7-2 Main P.C.B. Ass'y

Ref.No.	Part No.	Description	Q'ty
	BK10474A	MAIN P.C.B. Ass'y R555	
	0B61644A	Main P.C.B. R555	
D297,298	0B13151A SID	1SS355TE-17*	2
D301,302	0B13151A SID	1SS355TE-17*	2
D303,304	0B13151A SID	1SS355TE-17*	2
D305,306	0B13151A SID	1SS355TE-17*	2
D307,308	0B13151A SID	1SS355TE-17*	2
D309,310	0B13151A SID	1SS355TE-17*	2
D50,51	0B13151A SID	1SS355TE-17*	2
D52,53	0B13151A SID	1SS355TE-17*	2
D54,55	0B13151A SID	1SS355TE-17*	2
D551	0B12249A SID	1SS133	1
D553	0B12249A SID	1SS133	1
D555	0B12249A SID	1SS133	1
D557	0B12249A SID	1SS133	1
D559	0B12249A SID	1SS133	1
D56	0B13151A SID	1SS355TE-17*	1
D560	0B12249A SID	1SS133	1
D57,58	0B13151A SID	1SS355TE-17*	2
D59,60	0B13151A SID	1SS355TE-17*	2
D61,62	0B13151A SID	1SS355TE-17*	2
D63,64	0B13151A SID	1SS355TE-17*	2
D65,66	0B13151A SID	1SS355TE-17*	2
D67,68	0B13151A SID	1SS355TE-17*	2
D69	0B13151A SID	1SS355TE-17*	1
D70	0B13316A ZD	MTZJ4.7A	1
D71,72	0B13151A SID	1SS355TE-17*	2
D73,74	0B13151A SID	1SS355TE-17*	2
D75	0B13151A SID	1SS355TE-17*	1
D81,82	0B13151A SID	1SS355TE-17*	2
D83	0B13151A SID	1SS355TE-17*	1
FR551	0B90986A	FUSE 0.25A/60V(491)	1
FR552	0B90987A	FUSE 0.40A/60V(491)	1

Ref.No.	Part No.	Description	Q'ty
FR553	0B90986A	FUSE 0.25A/60V(491)	1
IC101	0B13271A IC	IC CXA2069Q	1
IC171	0B13306A IC	TC9090AF* ELP	1
IC211,212	0B13296A IC	MM1113XFBE*	2
IC213,214	0B13297A IC	MM1114XF*	2
IC215	0B13286A IC	BA7622F*	1
IC216	0B13293A IC	LA7151M TP-T1*	1
IC301	0B13317A IC	MB90F553A	1
IC302	0B13279A IC	24LC02BT/SN*	1
IC304	0B13305A IC	TC7WT126FU*	1
IC402	0B13307A IC	TDA4665T* 118	1
IC403	0B13290A IC	CXD2053AM T6*	1
IC405	0B13289A IC	CXA2119M T6*	1
IC406	0B13301A IC	TC74HC04AF* EL	1
IC407	0B13302A IC	TC74HC125AF* EL	1
IC408	0B13303A IC	TC74HC4052AF*	1
IC409	0B13294A IC	LM1881MX*	1
IC522	0B13298A IC	MM1115XFBE*	1
IC553	0B13277A IC	TA76431S	1
IC555	0B13284A IC	BA178M08*	1
IC556	0B13285A IC	BA178M09*	1
IC70	0B13303A IC	TC74HC4052AF*	1
IC84,85	0B13296A IC	MM1113XFBE*	2
IC86	0B13296A IC	MM1113XFBE*	1
IC87	0B13293A IC	LA7151M TP-T1*	1
L101	0B50391A	COIL EL0606RA 101K	1
L102,103	0B50404A	COIL 181J (0203)	2
L121	0B50410A	COIL EL0606RA 100K	1
L171	0B50406A	COIL 270J (0203)	1
L172	0B50407A	COIL 330J (0203)	1
L173,174	0B50410A	COIL EL0606RA 100K	2
L175,176	0B50410A	COIL EL0606RA 100K	2
L177,178	0B50406A	COIL 270J (0203)	2
L179	0B50407A	COIL 330J (0203)	1
L180	0B50409A	COIL 680J (0203)	1
L181	0B50407A	COIL 330J (0203)	1
L202	0B50403A	COIL 120J (0203)	1
L203	0B50406A	COIL 270J (0203)	1
L204	0B50408A	COIL 470J (0203)	1
L205	0B50391A	COIL EL0606RA 101K	1
L206	0B50403A	COIL 120J (0203)	1
L207	0B50409A	COIL 680J (0203)	1
L211,212	0B50410A	COIL EL0606RA 100K	2
L213,214	0B50391A	COIL EL0606RA 101K	2
L215,216	0B50410A	COIL EL0606RA 100K	2
L296	0B50410A	COIL EL0606RA 100K	1
L301,302	0B50391A	COIL EL0606RA 101K	2
L401	0B50391A	COIL EL0606RA 101K	1
L402,403	0B50410A	COIL EL0606RA 100K	2
L404	0B50410A	COIL EL0606RA 100K	1
L405	0B50405A	COIL 220J (0203)	1
L406,407	0B50410A	COIL EL0606RA 100K	2
L408	0B50391A	COIL EL0606RA 101K	1
L409,410	0B50410A	COIL EL0606RA 100K	2
L413	0B50391A	COIL EL0606RA 101K	1
L522	0B50410A	COIL EL0606RA 100K	1
L62	0B50410A	COIL EL0606RA 100K	1
L70	0B50391A	COIL EL0606RA 101K	1
L81	0B50410A	COIL EL0606RA 100K	1
L84	0B50410A	COIL EL0606RA 100K	1
P202	0B85778A	SO 52207-1590 15P*	1
P203	0B85779A	SO 52207-2190 21P*	1
P302	0B85777A	SO 30FMN-BMT-TF*	1
P304	0B85766A	PO S12B-PH-SM3TB*	1
P399	0B85809A	SO 10FM-1.0BP 10P*	1
P404	0B85810A	SO 26FMN-BMT-TF 26P*	1

Ref. No.	Part No.	Description	Q'ty
P551	0B85765A	PO B10B-PH-SM3TB 10P*	1
TR1	0B13265A TR	DTC114TKA*	1
TR10	0B13265A TR	DTC114TKA*	1
TR171,172	0B13247A TR	2SC2412K-R/S*	2
TR175,176	0B13247A TR	2SC2412K-R/S*	2
TR177,178	0B13247A TR	2SC2412K-R/S*	2
TR181,182	0B13247A TR	2SC2412K-R/S*	2
TR2	0B13265A TR	DTC114TKA*	1
TR202,203	0B13247A TR	2SC2412K-R/S*	2
TR204	0B13245A TR	2SA1037AK-R/S*	1
TR205	0B13247A TR	2SC2412K-R/S*	1
TR206	0B13245A TR	2SA1037AK-R/S*	1
TR210	0B13247A TR	2SC2412K-R/S*	1
TR211,212	0B13245A TR	2SA1037AK-R/S*	2
TR213,214	0B13247A TR	2SC2412K-R/S*	2
TR295	0B13266A TR	DTC144EKA*	1
TR296	0B13245A TR	2SA1037AK-R/S*	1
TR297	0B13247A TR	2SC2412K-R/S*	1
TR3	0B13265A TR	DTC114TKA*	1
TR303	0B13265A TR	DTC114TKA*	1
TR4	0B13265A TR	DTC114TKA*	1
TR401,402	0B13247A TR	2SC2412K-R/S*	2
TR403,404	0B13247A TR	2SC2412K-R/S*	2
TR405	0B13247A TR	2SC2412K-R/S*	1
TR406	0B13245A TR	2SA1037AK-R/S*	1
TR407	0B13264A TR	DTC114EKA*	1
TR408	0B13247A TR	2SC2412K-R/S*	1
TR409	0B13266A TR	DTC144EKA*	1
TR425	0B13245A TR	2SA1037AK-R/S*	1
TR430	0B13264A TR	DTC114EKA*	1
TR490	0B13245A TR	2SA1037AK-R/S*	1
TR5	0B13245A TR	2SA1037AK-R/S*	1
TR501,502	0B13245A TR	2SA1037AK-R/S*	2
TR503	0B13245A TR	2SA1037AK-R/S*	1
TR551,552	0B13260A TR	UN4110 R/S	2
TR553	0B13313A TR	2SA933AS R/S	1
TR555	0B13314A TR	2SD1858 P/Q	1
TR6	0B13262A TR	DTA114TKA*	1
TR62,63	0B13247A TR	2SC2412K-R/S*	2
TR64	0B13247A TR	2SC2412K-R/S*	1
TR7	0B13265A TR	DTC114TKA*	1
TR70,71	0B13247A TR	2SC2412K-R/S*	2
TR72,73	0B13266A TR	DTC144EKA*	2
TR8	0B13265A TR	DTC114TKA*	1
TR81	0B13245A TR	2SA1037AK-R/S*	1
TR82	0B13266A TR	DTC144EKA*	1
TR83	0B13245A TR	2SA1037AK-R/S*	1
TR84	0B13266A TR	DTC144EKA*	1
TR85	0B13245A TR	2SA1037AK-R/S*	1
TR86	0B13266A TR	DTC144EKA*	1
TR9	0B13265A TR	DTC114TKA*	1
IC401	0B13278A IC	TDA9143	1
IC404	0B13269A IC	BA7078S	1
IC551	0B13274A IC	L88R05	1
IC552	0B13276A IC	SI3050C	1
IC554	0B13268A IC	BA12ST	1
L552	0B50413A	COIL LHL13NB 330K	1
PJ1	0B85758A	JPJ1689-010640 6P	1
PJ2	0B85759A	JPJ1989-010880 9P	1
PJ3	0B85760A	JPJ1989-010890 9P	1
PJ4,5	0B85786A	Socket M1896 21P	2
PJ6,7	0B85750A	DIN Jack TCX0301-01(3x4P)	2
TR554	0B13315A TR	2SD2396 J/K	1
X301	0B90964A	X'TAL CCR4.0MC3T*	1
X401	0B90997A	X'TAL CXU 3.579545MHz	1
X402	0B90998A	X'TAL CXU 4.433619MHz	1
X403	0B91045A	X'TAL HC-49U20P 14.318180MHz 1	1

7-3 Digital P.C.B. Ass'y

Ref. No.	Part No.	Description	Q'ty
	BK10470A	DIGITAL P.C.B. Ass'y R555	
	0B61641A	Digital P.C.B. R555	
D609	0B13151A SID	1SS355TE-17*	1
IC1	0B13295A IC	MB90096PF-G*	1
IC11	0B13309A IC	TLC2932IPW*	1
IC121	0B13308A IC	TDA8709AT* 118	1
IC131	0B13282A IC	74F541SJX*	1
IC22	0B13309A IC	TLC2932IPW*	1
IC301	0B13273A IC	EPF6016ATC144-2	1
IC303,304	0B13275A IC	MSM548332-25TS*	2
IC31	0B13299A IC	MM1385ANRE*	1
IC401	0B13273A IC	EPF6016ATC144-2	1
IC41	0B13308A IC	TDA8709AT* 118	1
IC501	0B13273A IC	EPF6016ATC144-2	1
IC503,504	0B13275A IC	MSM548332-25TS*	2
IC51	0B13282A IC	74F541SJX*	1
IC601	0B13301A IC	TC74HC04AF* EL	1
IC605	0B13273A IC	EPF6016ATC144-2	1
IC61	0B13282A IC	74F541SJX*	1
IC612	0B13291A IC	DS90CF583MTD*	1
IC613	0B13304A IC	TC74VHCT541AF*	1
IC614	0B13280A IC	74F04SJX*	1
IC615	0B13282A IC	74F541SJX*	1
IC616	0B13281A IC	74F540SJ X*	1
IC617	0B13304A IC	TC74VHCT541AF*	1
IC619	0B13282A IC	74F541SJX*	1
IC620,621	0B13273A IC	EPF6016ATC144-2	2
IC624	0B13283A IC	BA033FP E2:	1
IC81	0B13308A IC	TDA8709AT* 118	1
L1	0B50415A	COIL 100K (3225)*	1
L11,12	0B50415A	COIL 100K (3225)*	2
L121	0B50420A	COIL 8R2J (3225)*	1
L123	0B50414A	COIL 100J (3225)*	1
L125	0B50415A	COIL 100K (3225)*	1
L126,127	0B50419A	COIL 6R8J (3225)*	2
L128	0B50415A	COIL 100K (3225)*	1
L130,131	0B50417A	COIL 2R2M (3225)*	2
L2	0B50415A	COIL 100K (3225)*	1
L200,201	0B50418A	COIL 47UH (3225)*	2
L202	0B50418A	COIL 47UH (3225)*	1
L22,23	0B50415A	COIL 100K (3225)*	2
L41	0B50418A	COIL 47UH (3225)*	1
L42	0B50420A	COIL 8R2J (3225)*	1
L44	0B50414A	COIL 100J (3225)*	1
L46,47	0B50415A	COIL 100K (3225)*	2
L48,49	0B50419A	COIL 6R8J (3225)*	2
L51,52	0B50417A	COIL 2R2M (3225)*	2
L601,602	0B50416A	COIL 101K (3225)*	2
L81	0B50420A	COIL 8R2J (3225)*	1
L83	0B50414A	COIL 100J (3225)*	1
L85	0B50415A	COIL 100K (3225)*	1
L86,87	0B50419A	COIL 6R8J (3225)*	2
L88	0B50415A	COIL 100K (3225)*	1
L90,91	0B50417A	COIL 2R2M (3225)*	2
P4	0B85810A	SO 26FMN-BMT-TF*	1
P5	0B85711A	PO S02B-PH-SM3TB*	1
P602	0B85777A	SO 30FMN-BMT-TF*	1
P604	0B85766A	PO S12B-PH-SM3TB*	1
TR121	0B13247A TR	2SC2412K-R/S*	1
TR122	0B13245A TR	2SA1037AK-R/S*	1
TR123	0B13247A TR	2SC2412K-R/S*	1
TR124	0B13245A TR	2SA1037AK-R/S*	1
TR125,126	0B13266A TR	DTC144EKA*	2
TR200,201	0B13247A TR	2SC2412K-R/S*	2

ELECTRICAL PARTS LIST (Control Unit)

Ref. No.	Part No.	Description	Q'ty
TR202	0B13247A TR	2SC2412K-R/S*	1
TR203	0B13245A TR	2SA1037AK-R/S*	1
TR204,205	0B13247A TR	2SC2412K-R/S*	2
TR206,207	0B13245A TR	2SA1037AK-R/S*	2
TR208	0B13245A TR	2SA1037AK-R/S*	1
TR21,22	0B13264A TR	DTC114EKA*	2
TR40	0B13264A TR	DTC114EKA*	1
TR41	0B13247A TR	2SC2412K-R/S*	1
TR42	0B13245A TR	2SA1037AK-R/S*	1
TR43	0B13247A TR	2SC2412K-R/S*	1
TR44	0B13245A TR	2SA1037AK-R/S*	1
TR45,46	0B13266A TR	DTC144EKA*	2
TR81	0B13247A TR	2SC2412K-R/S*	1
TR82	0B13245A TR	2SA1037AK-R/S*	1
TR83	0B13247A TR	2SC2412K-R/S*	1
TR84	0B13245A TR	2SA1037AK-R/S*	1
TR85,86	0B13266A TR	DTC144EKA*	2
VR041	0B30232A	SEMI VR TMC3KTR 222*	1
VR081	0B30232A	SEMI VR TMC3KTR 222*	1
VR121	0B30232A	Semi VR TMC3KTR 222*	1
IC200	0B13267A IC	AN5385K	1
IC608	BA10468A	PDP42 TIM2	1
IC609	BA10467A	PDP42 SCAN2	1
IC622	BA10465A	PDP42 GCON A1	1
IC623	BA10466A	PDP42 GCON B1	1
L625	0B50412A	COIL LHL08NB 2R2M	1
P601	0B85776A	SO 10240-1210VE*	1
X601	0B90999A	X'TAL HC-49U18P 17.734475MHz 1	

7-4 Remote Sensor-1 P.C.B. Ass'y

Ref. No.	Part No.	Description	Q'ty
	BK10480A	REM SENSOR-1 P.C.B. ASS'Y R555	
	0B61649A	REM Sensor-1 P.C.B. R555	
D621	0B13237A	LED SML78423CTP15	1
L621	0B50411A	COIL EL0606RA 470J	1
TR621,622	0B13245A TR	2SA1037AK-R/S*	2
PH621	0B13240A	PHT S. GP1U261X	1

7-5 LED P.C.B. Ass'y

Ref. No.	Part No.	Description	Q'ty
	BK10481A	LED P.C.B. ASS'Y R555	
	0B61650A	LED P.C.B. R555	
D631	0B13237A	LED SML78423CTP15	1
D632,633	0B13310A	LED SEL5421ETP15	2
D634,635	0B13310A	LED SEL5421ETP15	2
D636,637	0B13310A	LED SEL5421ETP15	2
D638,639	0B13310A	LED SEL5421ETP15	2
D640	0B13310A	LED SEL5421ETP15	1
L631	0B50391A	COIL EL0606RA 101K	1
TR630,631	0B13261A TR	DTA114EKA*	2
IC631	0B13270A IC	BU2090	1

7-6 Input P.C.B. Ass'y

Ref. No.	Part No.	Description	Q'ty
	BK10478A	INPUT P.C.B. ASS'Y R555	
	0B61647A	Input P.C.B. R555	
D602,603	0B12249A SID	1SS133	2
D604	0B12249A SID	1SS133	1
D601	0B12249A SID	1SS133	1
D605	0B12249A SID	1SS133	1
P601	0B85781A	SOCKET 52089-2110	1
P602	0B85784A	SOCKET 52089-1510	1
PJ602	0B85782A	SOCKET KEY-15S-2A2A	1
PJ603	0B85761A	JPJ2025-01-830 1P Gold	1
PJ604	0B85757A	JPJ1025-01-720 1P Gold	1
PJ605	0B85761A	JPJ2025-01-830 1P Gold	1
PJ606	0B85757A	JPJ1025-01-720 1P Gold	1
PJ607	0B85762A	JPJ2025-01-840 1P Gold	1
PJ608	0B85749A	DIN Jack TCS7959-14	1

7-7 Tact Switch P.C.B. Ass'y

Ref. No.	Part No.	Description	Q'ty
	BK10479A	TACT SWITCH P.C.B. ASS'Y R555	
	0B61648A	Tact Switch P.C.B. R555	
SW646,647	0B70308A	TACT SWITCH SKHVBE	2
SW648	0B70308A	TACT SWITCH SKHVBE	1

8. PACKAGE ASS'Y AND ACCESSORY KIT

8-1 Display Unit Package Ass'y

Ref. No.	Part No.	Description	Q'ty
	0F05649A	Carton R554-(B) (2/4)	1
	0F05650A	Carton R554-(T) (2/4)	1
	0F05656A	Handle Carton	4
	0F05661A	Packing B-L	1
	0F05662A	Packing B-L	1
	0F05665A	Packing T-L	1
	0F05666A	Packing T-L	1
	0F05669A	Top Pat R554	1

8-2 Control Unit Package Ass'y

Ref. No.	Part No.	Description	Q'ty
		Package Ass'y R555SA	
	0F05657A	P.Cover 440x550	1
	0F05667A	Packing-L R555	1
	0F05668A	Packing-R R555	1
	0F05651A	Carton R555 (1/4)	1

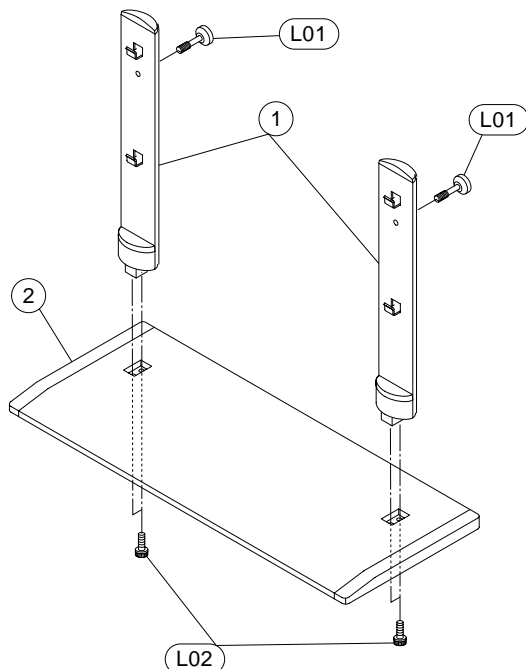
8-3 ACCESSORY KIT

Ref. No.	Part No.	Description	Q'ty
	0D07404A	AC Cord 200S (USA/CAN)	1
	0D07411A	AC Cord 200SKP419 (EP)	1
	0D07413A	AC Cord MP5004A (UK/HK)	1
	0D07414A	AC Cord 200SKP210 (JPN/OTR)	1
	0D07415A	AC Cord 200SKP561 (AUS)	1
	0D07244A	AC Cord MP2217 (KR)	1
	0D07400A	AC Cord 300SKP30 (USA/CAN)	1
	0D07401A	AC Cord 300SKP4819 (EP)	1
	0D07406A	AC Cord 300S (OTR)	1
	0D07407A	AC Cord 300SKP300 (JPN)	1
	0D07408A	AC Cord 300SKP551(AUS)	1
	0D07467A	AC Cord ES16S (UK/HK)	1
	0D07468A	AC Cord M2511 (KR)	1
	HG08529A	Remote Control PDP-42	1
	0B90981A	Battery SUM-3N-FD2	2
	0D07391A	Owner's Manual English	1
	0D07392A	Owner's Manual Franch (USA/CAN/EP)	1
	0D07394A	Owner's Manual Spanish (USA/CAN/EP)	1
	0D07393A	Owner's Manual Germany (EP)	1
	0D07395A	Owner's Manual Italian (EP)	1

8-4 Accessory Package Ass'y N935

Ref. No.	Part No.	Description	Q'ty
		Package Ass'y N935	
	0F05664A	Packing N935	1
	0F05647A	Carton Box N935 (4/4)	1

9. DESK TOP STAND PARTS LIST



9-1 Stand Ass'y N225GN

Ref. No.	Part No.	Description	Q'ty
1	HA08583A	Pole Ass'y N225	2
2	HA08584A	Board Ass'y N225	1
L01	0E04284A	E.Bolt M6(BLACK)	
L02	0E04267A	6RB50x100STL BNI	
	0E04293A	Screw (S) M6 L=40	
	0D07402A	Spanner (HEX.) 4MM	
	0F05670A	Poly Bag 100x160	

9-2 Stand Package Ass'y

Ref. No.	Part No.	Description	Q'ty
		Package Ass'y N225GN	
	0F05663A	Packing N225	2
	0F05660A	Packing (B) N225	4
	0F05648A	Carton Box N225 (3/4)	1

10. RECOMMENDED SPARE PARTS LIST

Notes:

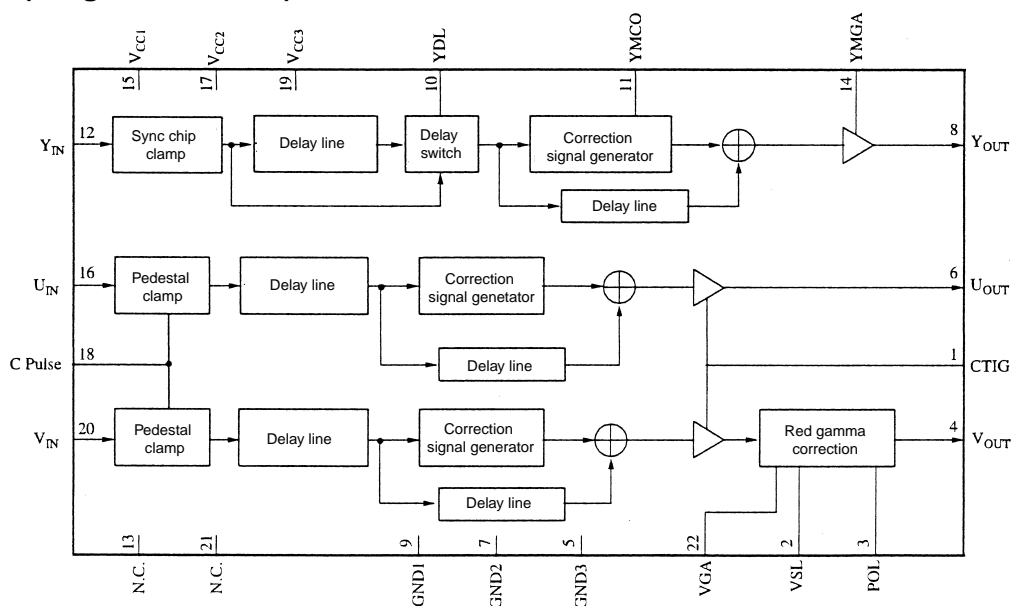
1. Abbreviations
TR-Transistor, SID-Silicon Diode, ZD-Zener Diode,
RC-Cement Resistor, RF-Fail Safe Type Resistor,
IC-Integrated Circuit, CML-Mylar Capacitor.
2. Parts marked with * show chip parts.

Ref. No.	Part No.	Description
1	OB50430A	S.Trans HS-832AF (Except USA/CAN)
2	OB50431A	S.Trans HS-832AF (USA/CAN)
3	OB50432A	P.Supply RPS-8247
4	OB13151A SID	1SS355TE-17*
5	OB13259A SID	1SS131 T-77
6	OB13258A SID	1N4002-N02
7	OB13316A ZD	MTZJ4.7A
8	OB90986A	Fuse 0.25A/60V(491)
9	OB90987A	Fuse 0.40A/60V(491)
10	OB13267A IC	AN5385K
11	OB13268A IC	BA12ST
12	OB13284A IC	BA178M08*
13	OB13285A IC	BA178M09*
14	OB13283A IC	BA033FP E2:
15	OB13269A IC	BA7078S
16	OB13286A IC	BA7622F*
17	OB13287A IC	BU4066BCF-E2*
18	OB13270A IC	BU2090
19	OB13288A IC	BU4093BF-E2*
20	OB13271A IC	CXA2069Q
21	OB13289A IC	CXA2119M T6*
22	OB13290A IC	CXD2053AM T6*
23	OB13291A IC	DS90CF583MTD*
24	OB13292A IC	DS90CF584MTD*
25	OB13273A IC	EPF6016ATC144-2
26	OB13293A IC	LA7151M TP-T1*
27	OB13294A IC	LM1881MX*
28	OB13274A IC	L88R05
29	OB13317A IC	MB90F553A
30	OB13295A IC	MB90096PF-G*
31	OB13296A IC	MM1113XFBE*
32	OB13297A IC	MM1114XF*
33	OB13298A IC	MM1115XFBE*
34	OB13299A IC	MM1385ANRE*
35	OB13275A IC	MSM548332-25TS*
36	OB13300A IC	NJM2058M-TE2*
37	OB13304A IC	TC74VHCT541AF*
38	OB13276A IC	SI3050C
39	OB13277A IC	TA76431S
40	OB13305A IC	TC7WT126FU*
41	OB13301A IC	TC74HC04AF* EL
42	OB13302A IC	TC74HC125AF* EL
43	OB13303A IC	TC74HC4052AF*
44	OB13306A IC	TC9090AF* ELP
45	OB13307A IC	TDA4665T* 118
46	OB13308A IC	TDA8709AT* 118
47	OB13278A IC	TDA9143
48	OB13309A IC	TLC2932IPW*
49	OB13279A IC	24LC02BT/SN*
50	OB13280A IC	74F04SJX*
51	OB13281A IC	74F540SJ X*
52	OB13282A IC	74F541SJX*
53	OB90964A	X'tal CCR4.0MC3T*
54	OB90997A	X'tal CXU 3.579545MHZ
55	OB90998A	X'tal CXU 4.433619MHZ

Ref. No.	Part No.	Description
56	OB90999A	X'tal HC-49U18P 17.734475M
57	OB91045A	X'tal HC-49U20P 14.318180M
58	OB70310A	Push Switch SDDFC3
59	OB70311A	Push Switch SDDL B1
60	OB70308A	Tact Switch SKHVBE
61	OB13240A	PHT S. GP1U261X
62	OB13262A TR	DTA114TKA*
63	OB13266A TR	DTC144EKA*
64	OB13265A TR	DTC114TKA*
65	OB13245A TR	2SA1037AK-R/S*
66	OB13246A TR	2SB1132-P/Q/R*
67	OB13247A TR	2SC2412K-R/S*
68	OB13261A TR	DTA114EKA*
69	OB13263A TR	DTA143TKA*
70	OB13260A TR	UN4110 R/S
71	OB13313A TR	2SA933AS R/S
72	OB13314A TR	2SD1858 P/Q
73	OB13315A TR	2SD2396 J/K
74	OB90988A	Motor Fan
75	OB13312A	THERM M22007CS CUT
76	BK10483A	Fan-A P.C.B. Ass'y R554
77	BK10484A	Fan-B P.C.B. Ass'y R554
78	BK10469A	Connector P.C.B. Ass'y R554
79	BK10486A	Power Switch P.C.B. Ass'y R554
80	BK10482A	REM P.C.B. Ass'y R554
81	BK10470A	Digital P.C.B. Ass'y R555
82	BK10474A	Main P.C.B. Ass'y R555

11. IC BLOCK DIAGRAMS

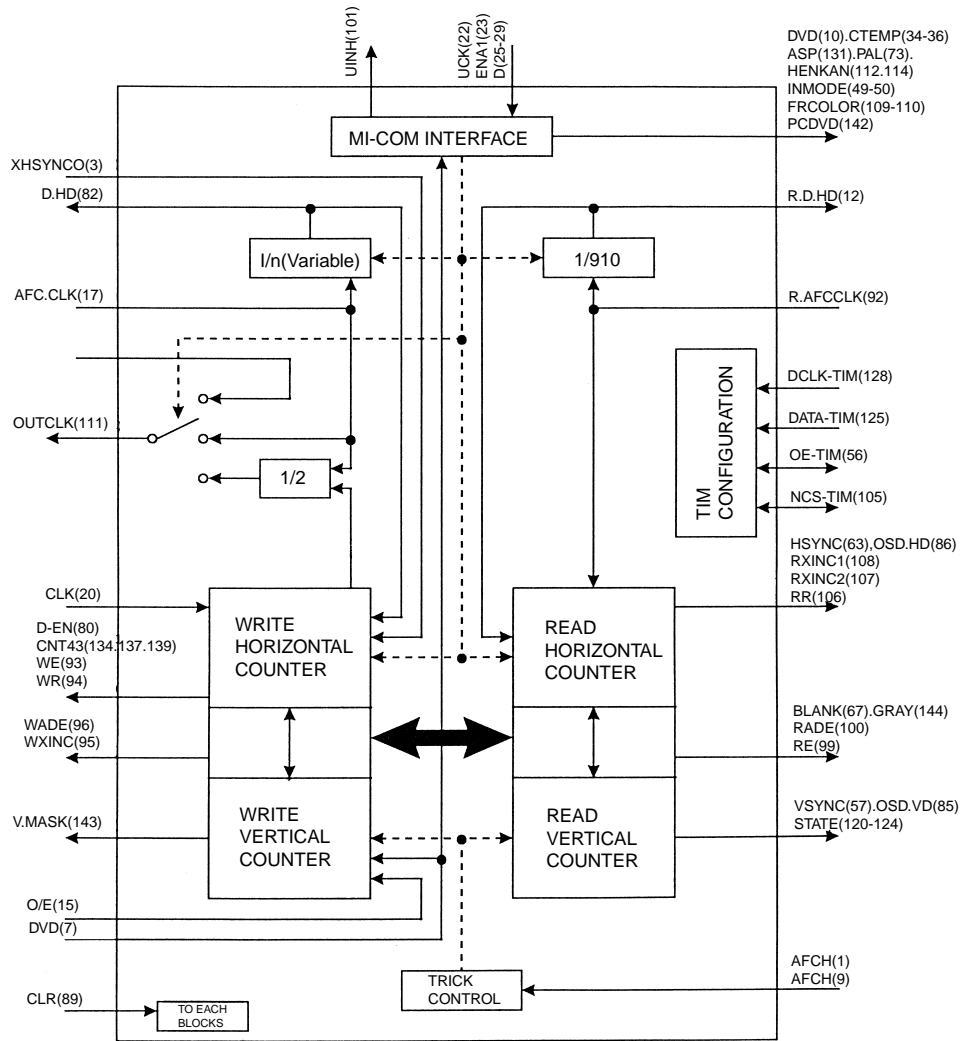
AN5385K (Image Enhance IC)



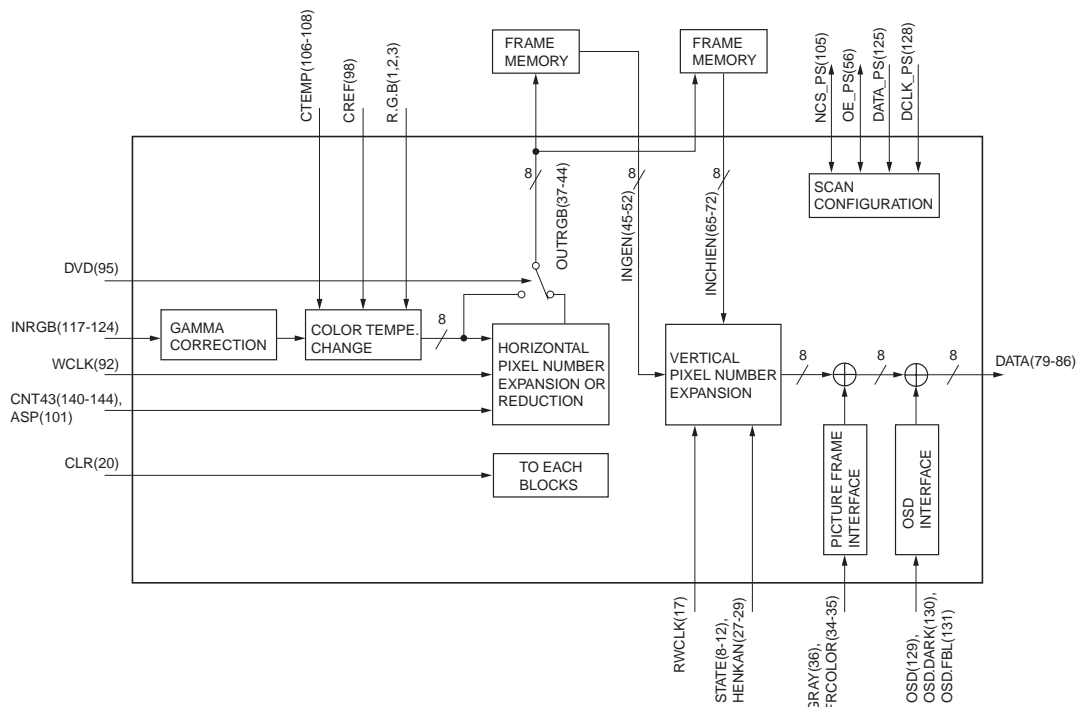
CXD2053AM (NTSC/CCIR auto wide detector, EDTV-II ID & ID-1 detector)

PIN No.	PORT NAME	I/O	FUNCTION
1,9	AVDD	-	Analog power supply.
2	ADIN	I	A/D converter input.
3,12	Avss	-	Analog ground.
4	CPV	I	Clmp voltage.
5	VRB	-	A/D converter bottom voltage.
6	VRT	I	A/D converter top voltage.
7	CCP	I	Integration capacitor connecting pin for A/D converter clamp.
8	ISET	I	Bias current setting pin.
10	VSIN	I	Sync separator input pin.
11	VDIN	I	Data slicer input pin.
13	TST1	I	Test pin (should be grounded).
14	TST2	I	
15	SCL	I	12C bus clock input.
16	SDA	I/O	12C bus data in/out pin.
17,23	Vss	-	Digital ground pin.
18	XRST	I	Reset signal input pin.
19	MCON	I	12C bus mode select pin (L: not 12C bus mode).
20	VDD	-	Digital power supply pin.
21	XO	O	Crystal connecting pins.
22	XI	I	Crystal connecting pins.
24	OLBX	O	VB-ID detection output (H: letter-box, L: normal)
25	O164	O	VB-ID detection output (H: full mode).
26	OAW1	O	Auto wide judge output (H: wide, no subtitle).
27	OAW2	O	Auto wide judge output (H: wide, with subtitle).
28	OED	O	EDTV-II ID bit 3 detection output.

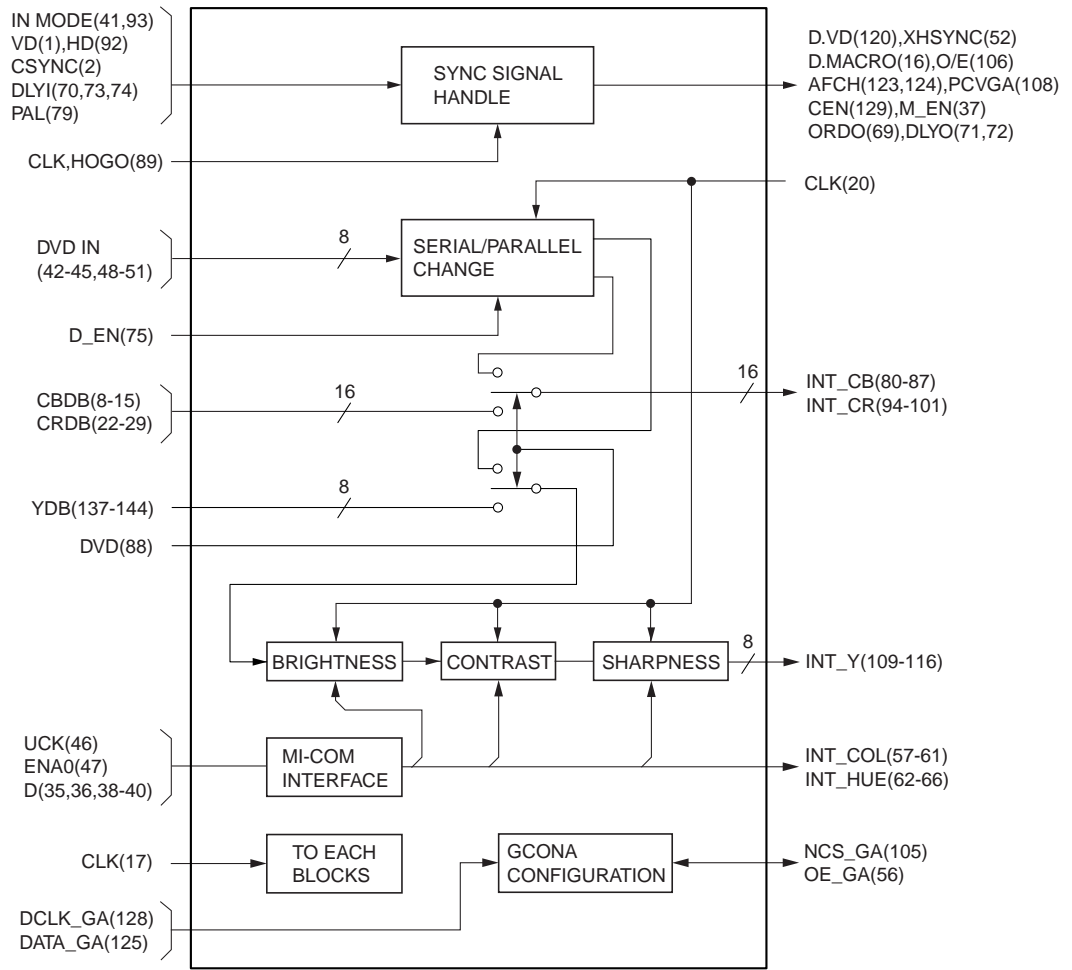
EPF6016ATC144-2 (TIM) (Timing control PLD)



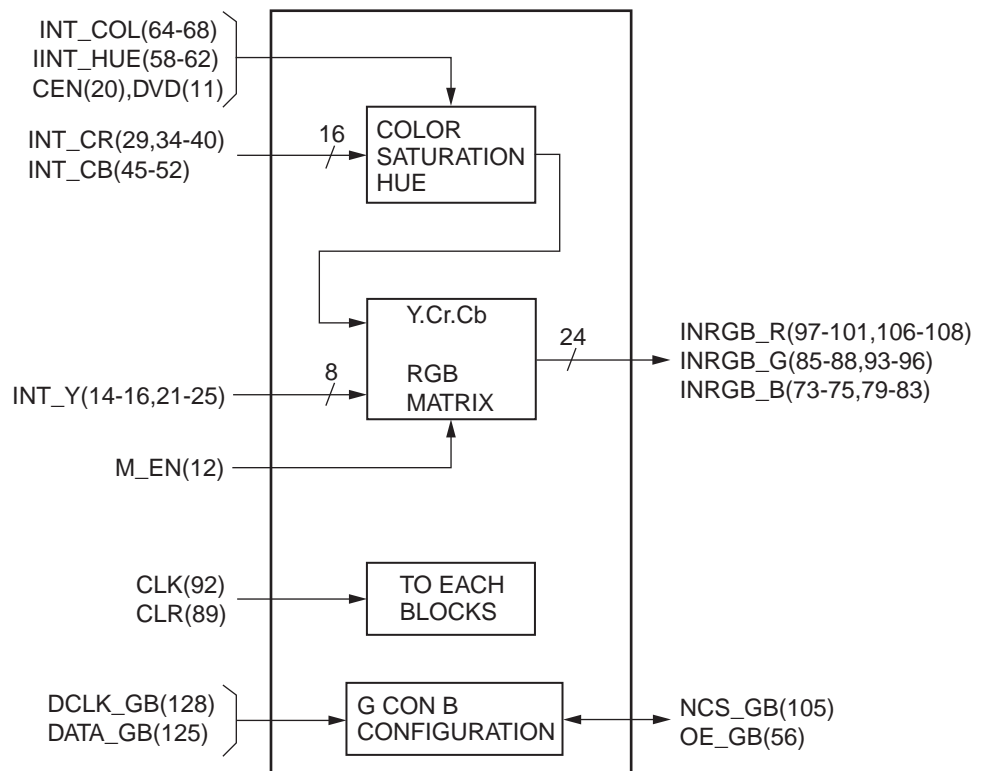
EPF6016ATC144-2 (SCAN) (Scan convertor PLD)



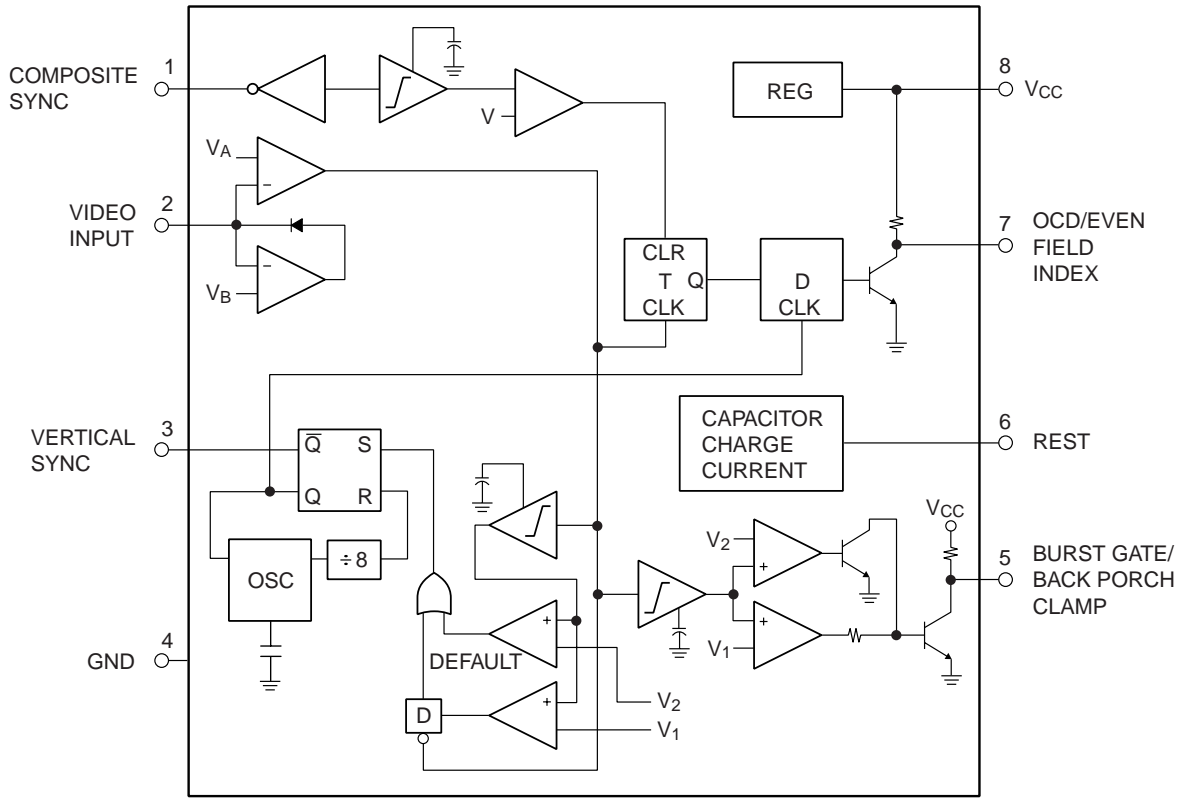
EPF6016ATC144-2 (G CON A) (Graphic Control A PLD)



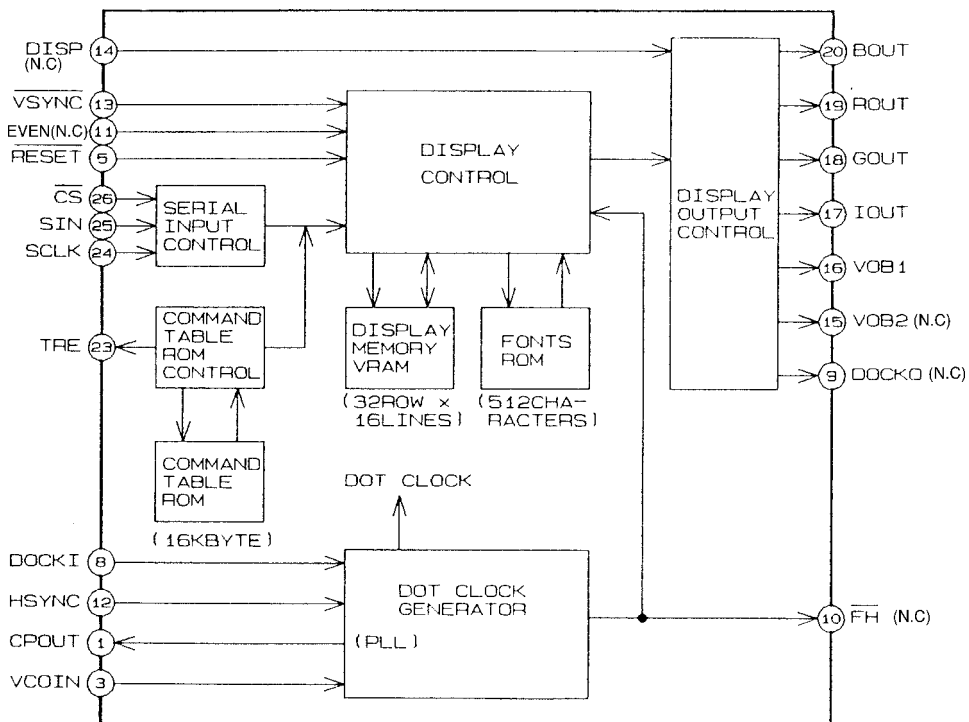
EPF6016ATC144-2 (G CON B) (Graphic Control B PLD)



LM1881MX (Sync Separator)



MB90096 (Multi scan on-screen display control)



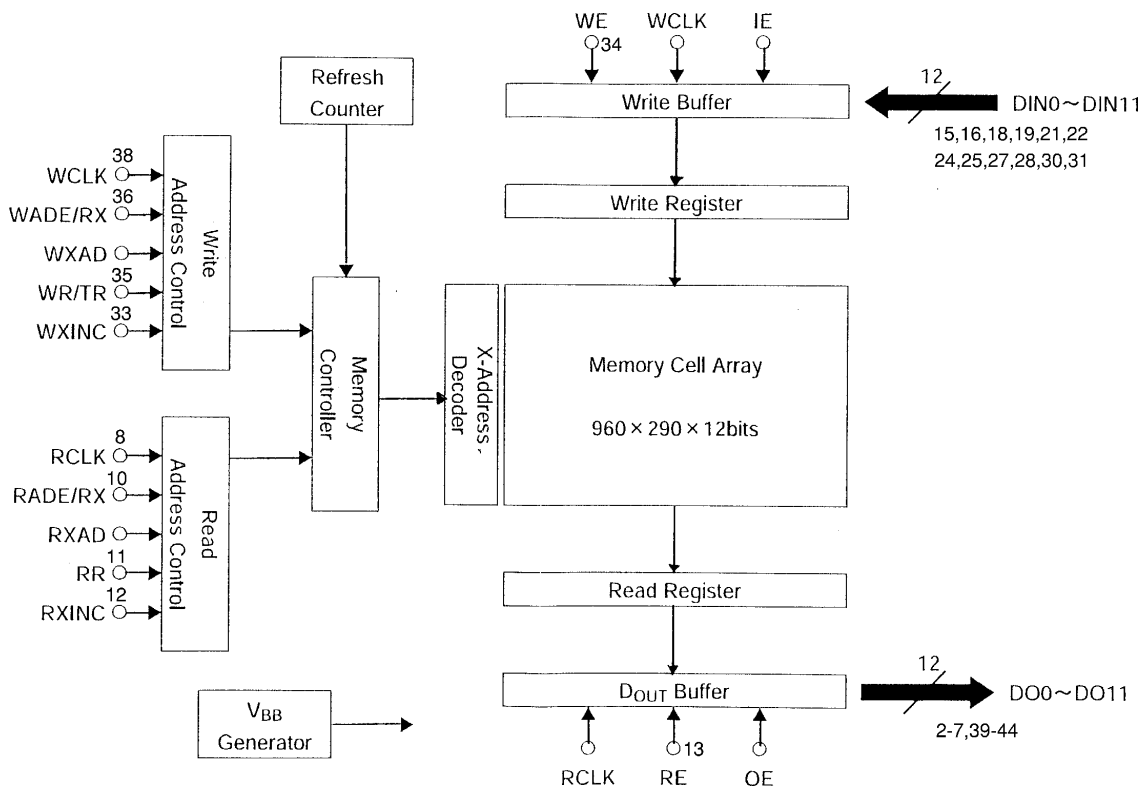
MB90F553A (System control Mi-COM)

PIN No.	PORT NAME	I/O	FUNCTION
1	POLV	I	PC input's vertical sync signal judge input..
2	EXIV	I	PC input's horizontal sync signal judge input.
3	OSD.TRE	I	OSD IC busy signal input (H: busy).
4	OSD.RST	O	OSD IC reset signal output.
5	PC	O	This pin turns to "H" when the PC input is selected.
6	DVD2	O	This pin turns to "H" when the DVD2 input is selected.
7	DIGITAL	O	Not used.
8	EUAV2.S	O	This pin turns to "H" when the AV2 Europe is S-Video.
9,10,12-14	D0-D4	O	Parallel transmission data.
11,36,37,42 81	GND	-	Ground pins of this IC.
15	UCK	O	The clock signai for the parallel transmission data.
16	ENA0	O	Parallel transmission data switching control.
17	ENA1	O	
18,49,51,85 86	NC	I	Mi-com soft data rewriting terminals.
19	DP. DATA	O	DVD serial transmission data output.
20	DV.DATA	I	DVD serial transmission data input.
24,27,32,33 41,47,48,55 56	N.C	-	Not used.
21	OSD.CLK	O	Serial clock output to OSD IC control.
22	OSD.DATA	O	Serial data output for OSD IC control.
23,84	Vcc	-	+5 V power supply pin.
25	PC VGA	I	PC irregular signal (except VGA) detect input (VGA: L).
26	DP.RDY	O	DVD serial data strobe signal output.
28	SDA	I/O	I ² C data in/out pin.
29	SCL	O	I ² C clock output pin.
30	OSD.CS	O	OSD IC chip select control output.
31	CLR	O	This pin turns to "L" when the power is turned on.
34	Avcc	-	+5 V power supply pin for the analog section.
35	AVR+	I	+5 V reference voltage input.
38	HP.SW	I	This pin turns to "H" when the headphone jack is inserted.
39	LED.CLK	O	Serial clock output to the LED control IC.
40	LED DATA	O	Serial data output to the LED control IC.
43	RGBDL	I	This pin turns to "L" when the AV3 Europe is selected.
44	EUAV2CTL	I	16:9 screen judge input (DC 1.88 ~ 2.92 V → 16:9).
45	EUAV3CTL	I	
46	KEY.IN	I	Operation key input (A/D).
50	MD1	-	Be connected to the +5 V line.
52	HSTX	-	
53	UINH	I	This pin turns to "H" during V-sync period.
54	DV.CLK	I	Synchronous clock input from the DVD.
57	AV4. S	I	This pin turns to "L" when the S-cord is connected to the AV4 S-Video.
58	AV5. S	I	This pin turns to "L" when the S-cord is connected to the AV5 S-Video.
59	CTL.B	O	Audio input signal selection control.
60	CTL.A	O	
61	PAL.N	O	PAL-N,M system judge output.
62	FRONT.S	I	This pin turns to "L" when the S-cord is connected to the AV1 S-Video.
63	REMOTE 1	I	Remote control signal input of the Control Unit.
64	REMOTE 2	I	Remote control signal input of the Display Panel.
65	V.SYNC	I	PAL-N system judge input (PAL-N: 50 Hz).
66	PC.VP	I	PC's V-Sync input pin for vertical frequency judge.
67	AV6.S	I	This pin lurns to "L" when the S-cord is connected to the AV6 S-Video
68	AV7.S	I	This pin turns to "L" when the S-cord is connected to the AV7 S-Video.
69	DAT.IN	I	I ² C data input pin from the Audio IC.

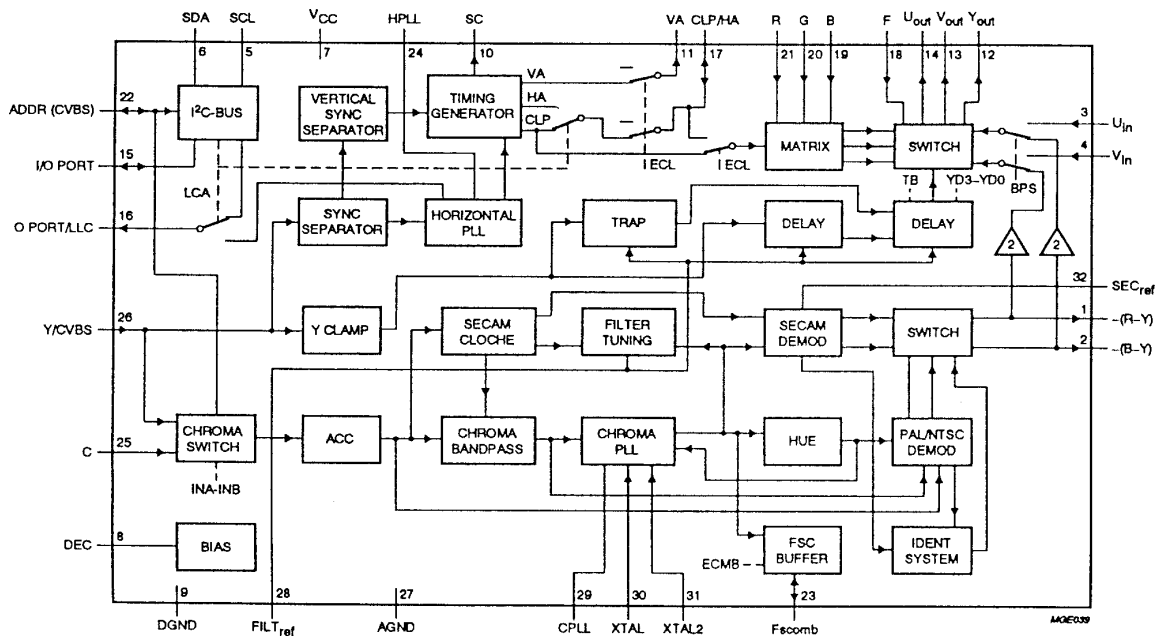
IC BLOCK DIAGRAMS

PIN No.	PORT NAME	I/O	FUNCTION
70	DAT.EN	O	Audio IC's I ² C data in/out switching control.
71	DAT.OUT	O	I ² C data output pin to the Audio IC.
72	A.CLK	O	Serial clock output to the Audio IC.
73	A.MUTE	O	Audio circuit muting control output.
74	DATA	O	Serial data output to the headphone EVR.
75	CLK	O	Serial clock output to the headphone EVR.
76	STB	O	Strobe signal output to the headphone EVR.
77	RESET	I	Reset signal input pin.
78	STANDBY	O	This pin is "H" when the function is ON (STANDBY/ON LED control).
79	P.MONI	I	DISPLAY PANEL power on/off judge input pin (power on: H).
80	AL	O	AL power supply line control output ("H" when the function is ON).
82	XO	O	Crystal connecting pins.
83	XI	O	
87	SHORT	I	This pin turns to "L" when the AL 8V is cut off.
88	ENC.NTSC	O	NTSC/CCIR judge output (CCIR: H, NTSC: L).
89	DVD2	O	This pin turns to "L" when the DVD2 is selected.
90	EUAV3	O	This pin turns to "L" when the AV3 Europe is selected.
91	EUAV3	O	This pin turns to "H" when the AV3 Europe is selected.
92	EUAV2	O	This pin turns to "H" when the AV2 Europe is selected.
93	COMB.RST	O	COMB filter IC (IC 171) reset output.
94	COL.DEF	O	This pin turns to "L" when the DVD1 is selected.
95	COMB. ON	O	This pin turns to "H" when the color mode (comb filter is used). This output is used to switch the IC211 & 212 (analog switches).
96	D.MUTE	-	Not used
97	FRONT	O	This pin turns to "L" when the FRONT (AV1) is selected.
98	AV 7	O	This pin turns to "L" when the AV7 is selected.
99	POLH	I	PC's Input horizontal sync signal's polarity Judge signal input pin.
100	EXIH	I	PC's Input vertical sync signal's polarity judge signal input pin.

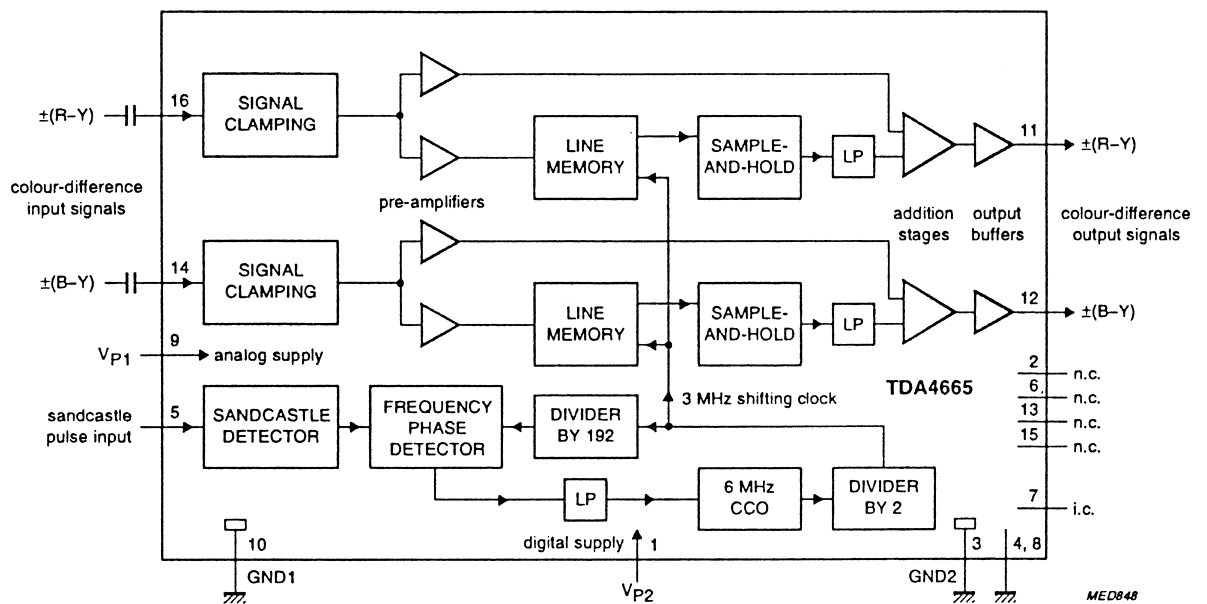
MSM548331



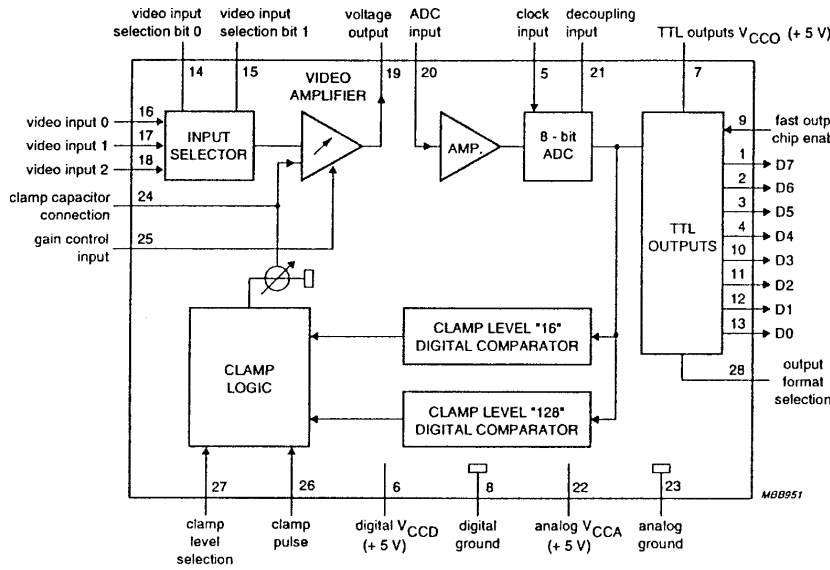
TC9090AF (Multi color 3 line digital Y/C separator)



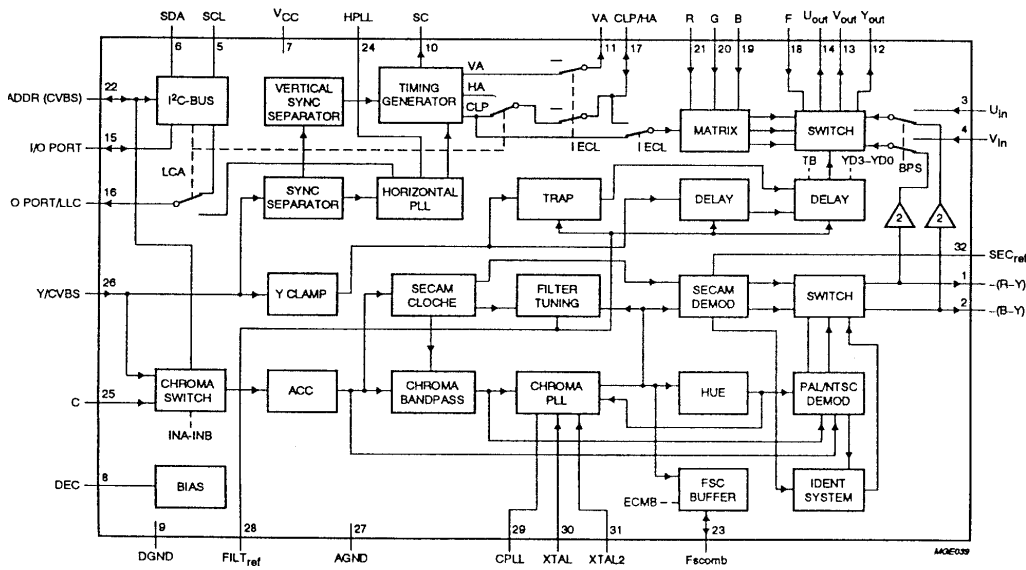
TDA4665 (Base band delay line)



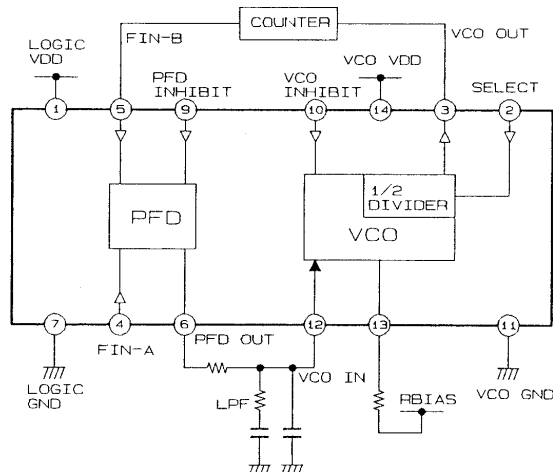
TDA8709A (Video analog input interface)



TDA9143 (I²C-bus controlled, alignment-free PAL/NTSC/SECAM decoder/sync processor)



TLC2932IPW (High quality locked loop)



12. SPECIFICATIONS

■ DISPLAY PANEL

Screen size	Diagonal 42 inch (1,058 mm), 920 (H) × 518 (V) mm
Aspect ratio	16 : 9
Display pixels	852 (H) × 480 (V)
Display colors	16,770,000 colors
Contrast	450 : 1 (dark area)
Dimensions	1,044(W) × 649 (H) × 132 (D) mm
Weights	38 kg
Power consumption	300 W (standby : 6 W)
Power requirements	AC 100 V - 240 V (automatically set), 50/60 Hz (for all area except USA/Canada and Korea) AC 120 V, 60 Hz (for USA/Canada) AC 220 V, 60 Hz (for Korea)

■ VIDEO PROCESSOR / CONTROL UNIT

Color system 3.58 NTSC / 4.43 NTSC / PAL / PAL 60 / SECAM

Input terminals	• AV 1 Input	(front)	Video : S2-Video terminal, RCA terminal Audio : RCA terminal (L/R)
	• AV 2 Input/Output	(rear)	Video/Audio : 21 pin SCART terminal
	• AV 3 Input/Output	(rear)	Video/Audio : 21 pin SCART terminal
	• AV 4 Input	(rear)	Video : S2-Video terminal, RCA terminal Audio : RCA terminal (L/R)
	• AV 5 Input	(rear)	Video : S2-Video terminal, RCA terminal Audio : RCA terminal (L/R)
	• AV 6 Input	(rear)	Video : S2-Video terminal, RCA terminal Audio : RCA terminal (L/R)
	• AV 7 Input	(rear)	Video : S2-Video terminal, RCA terminal Audio : RCA terminal (L/R)
	• DVD 1 Input	(rear)	Video : Component (Y, Cb, Cr) RCA terminal Audio : RCA terminal (L/R)
	• DVD 2 Input	(rear)	Video : S2-Video terminal Audio : RCA terminal (L/R)
	• PC/RGB Input	(front)	Video : D-Sub Mini 15 pin terminal Audio : RCA terminal (L/R)
	• Audio/Video Output	(rear)	Video : S-Video terminal (can be set to S1/S2), RCA terminal Audio : RCA terminal (L/R)

System control termina 40 pin Audio L/R output, Digital Video (RGB) output, Control signal input/output

Dimensions 430 (W) × 88 (H) × 320 (D) mm

Weight 4.5 kg

Power consumption 25 W (standby : 6.5 W)

Power requirements AC 100 V - 240 V (automatically set), 50/60 Hz (for all area except USA/Canada and Korea)

AC 120 V, 60 Hz (for USA / Canada)

AC 220 V, 60 Hz (for Korea)

■ DESK TOP STAND

External dimensions 750 (W) × 488 (H) × 250 (D) mm, Effective height : 69 mm

Weight 6.4 kg

• For improvement purposes, specifications and design are subject to change without notice.

Nakamichi Corporation	1-153 Suzukicho, Kodaira, Tokyo 187-8501, Japan Phone: 81(42)342-1111
Nakamichi America	18375 S. Broadwick St., Rancho Dominguez, CA 90220 Phone: 1(310)631-2122 Fax: 1(310)631-2760
Nakamichi Asia	8/F The Grande Bldg., 398 Kwun Tong Rd., Kowloon, Hong Kong Phone: 852-2357-6690 Fax: 852-2357-6697
Nakamichi Europe	8F Hayes Gate House, 27 Uxbridge Road, Hayes, Middlesex UB4 0JN, England Phone: 44-181-581-9191 Fax: 44-181-581-9153