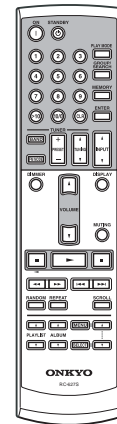
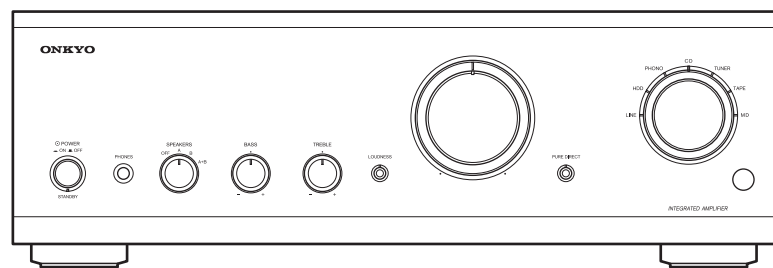


# ONKYO SERVICE MANUAL

## INTEGRATED AMPLIFIER MODEL A-9555




RC-627S

### Black, Silver and Golden models

B UDC	120V AC, 60Hz
B UPP	230-240V AC, 50Hz
S UDC	120V AC, 60Hz
S UPP	230-240V AC, 50Hz

G UGT	220-230V AC, 50/60Hz
G UDT	120V AC, 60Hz
G UGR	220-230V AC, 50/60Hz

### SAFETY-RELATED COMPONENT WARNING!!

COMPONENTS IDENTIFIED BY MARK  ON THE SCHEMATIC DIAGRAM AND IN THE PARTS LIST ARE CRITICAL FOR RISK OF FIRE AND ELECTRIC SHOCK. REPLACE THESE COMPONENTS WITH ONKYO PARTS WHOSE PART NUMBERS APPEAR AS SHOWN IN THIS MANUAL.

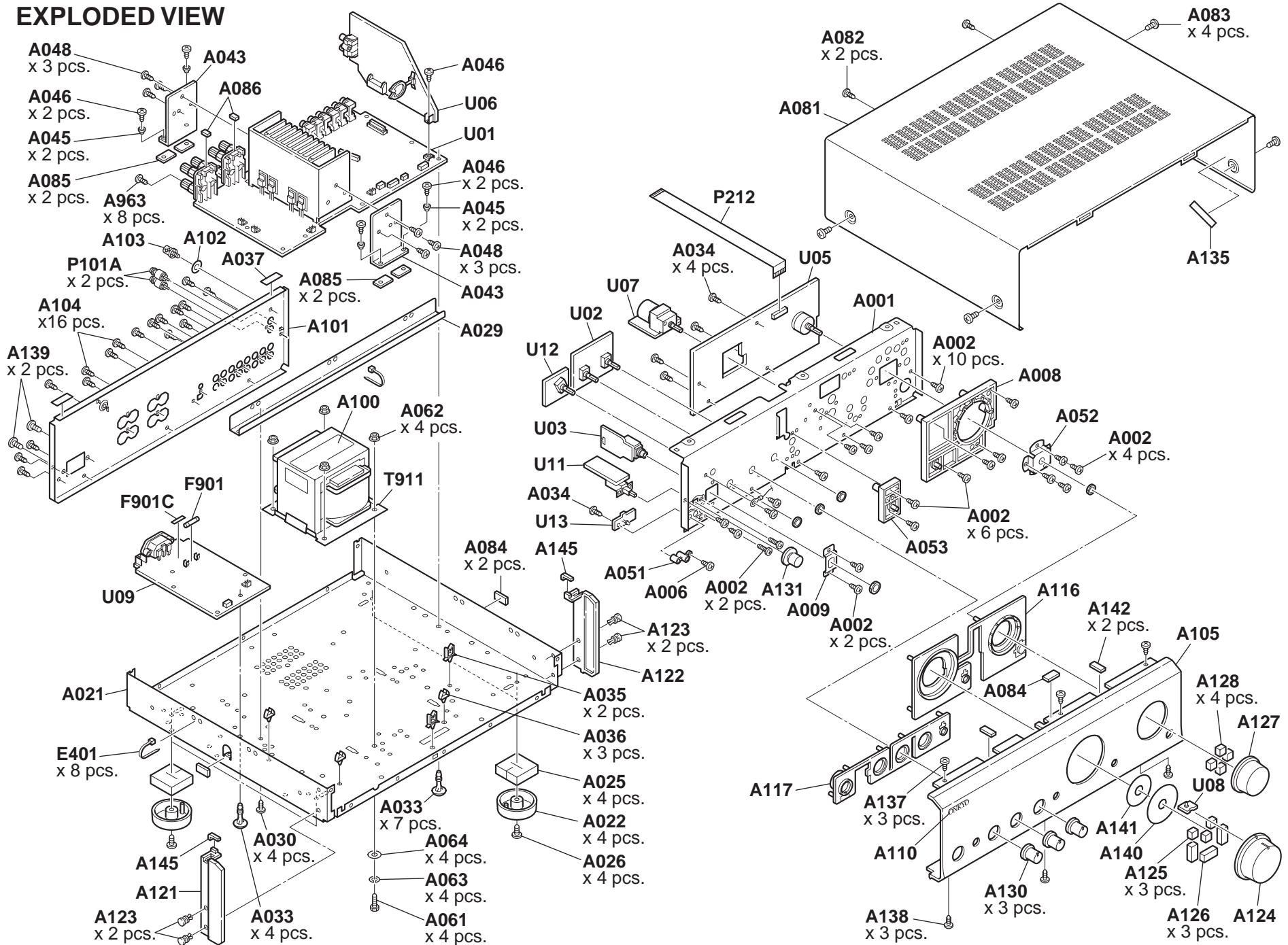
MAKE LEAKAGE-CURRENT OR RESISTANCE MEASUREMENTS TO DETERMINE THAT EXPOSED PARTS ARE ACCEPTABLY INSULATED FROM THE SUPPLY CIRCUIT BEFORE RETURNING THE APPLIANCE TO THE CUSTOMER.

## SPECIFICATIONS

Power output :	100 W + 100 W (8 $\Omega$ , 1 kHz, DIN) 200 W + 200 W (4 $\Omega$ , 1 kHz, JEITA)
Dynamic power :	230 W + 230 W (3 $\Omega$ , Front) 200 W + 200 W (4 $\Omega$ , Front) 120 W + 120W (8 $\Omega$ , Front)
THD (total harmonic distortion) :	0.08 % (1 kHz, 1 W)
Damping factor :	25 (Front, 1 kHz, 8 $\Omega$ )
Input sensitivity and impedance :	200 mV, 50 k $\Omega$ (CD) 2.5 mV, 50 k $\Omega$ (PHONO MM)
Output level and impedance :	200 mV, 2.2 k $\Omega$ (REC OUT)
Phono overload :	70 mV (MM, 1 kHz, 0.5 %)
Frequency response :	10 Hz - 60 kHz, +1 dB -3 dB (CD)
Tone control :	+10 dB, -10 dB, 100 Hz (BASS) +10 dB, -10 dB, 20 kHz (TREBLE) +10 dB, 50 Hz (LOUDNESS) +2 dB, 10 kHz (LOUDNESS)
SN ratio :	100 dB (CD, IHF-A) 70 dB (PHONO, IHF-A)
Speaker impedance :	4 - 16 $\Omega$
Power supply :	AC 230-240 V, 50 Hz AC 220-230 V, 50/60 Hz AC 120 V, 60 Hz
Power consumption :	125 W
Stand-by power consumption :	0.3 W
Dimensions (W x H x D) :	435 x 148 x 431 mm
Weight:	13.0 kg
Analog inputs :	PHONO, CD, TUNER, TAPE, MD, HDD, LINE
Analog outputs :	MD, TAPE
Speaker outputs :	2 (A, B)
Phones :	1

Specifications and features are subject to change without notice.

**EXPLODED VIEW**



A

B

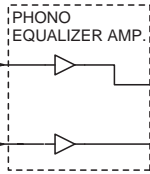
C

D

# BLOCK DIAGRAM

1

PHONO



INPUT SELECTOR

NJW1157

2

CD

TUNER

IN

TAPE

OUT

3

IN

MD

OUT

4

LINE

HDD

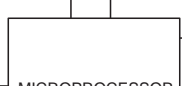
5

VOLUME

LOUDNESS

LOUDNESS

KEY / INPUT S



REM IN

MD

TAPE

TUNER

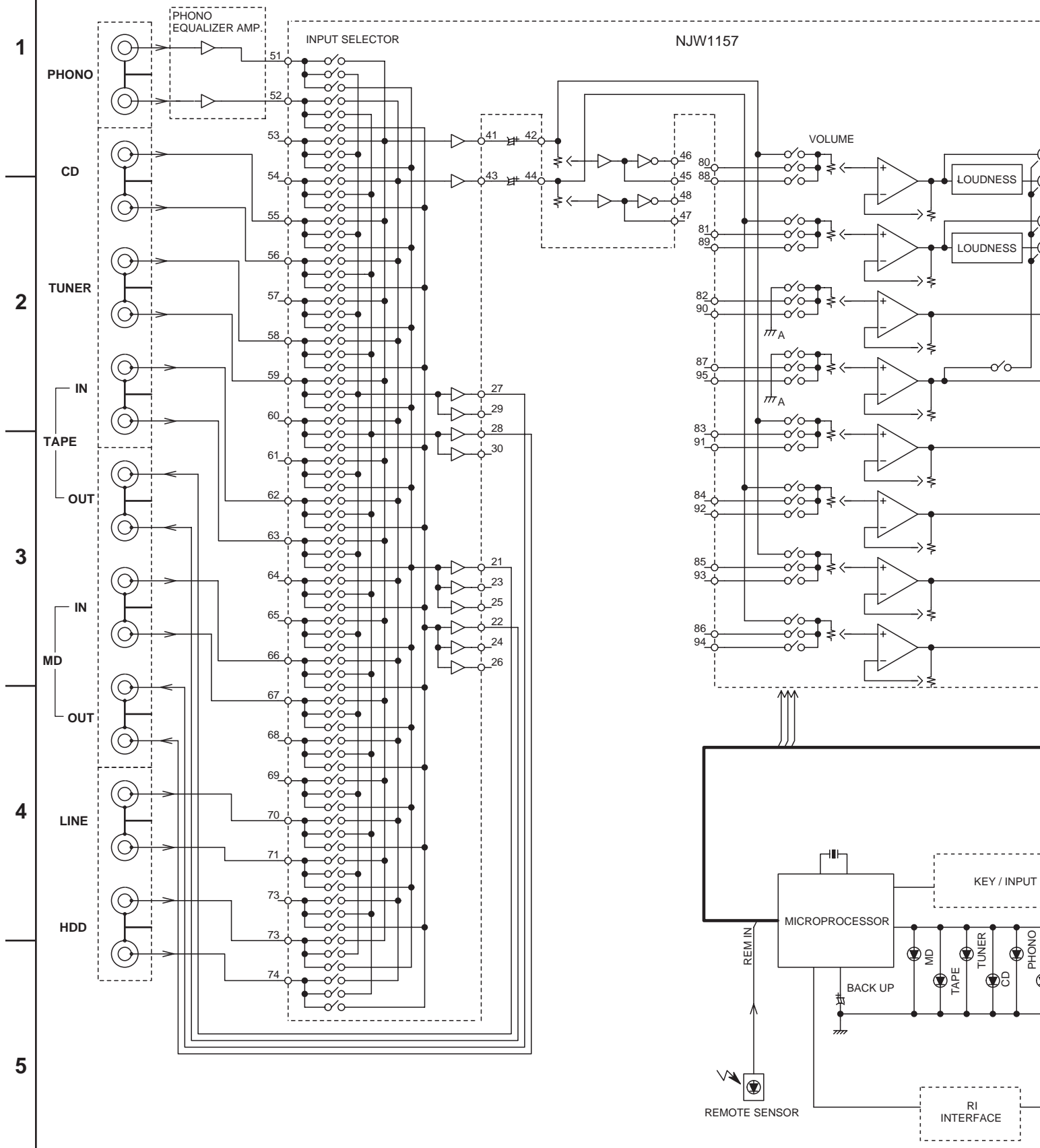
CD

PHONO

BACK UP

REMOTE SENSOR

RI INTERFACE

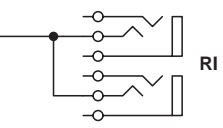
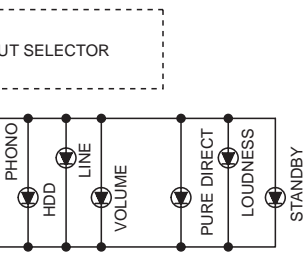
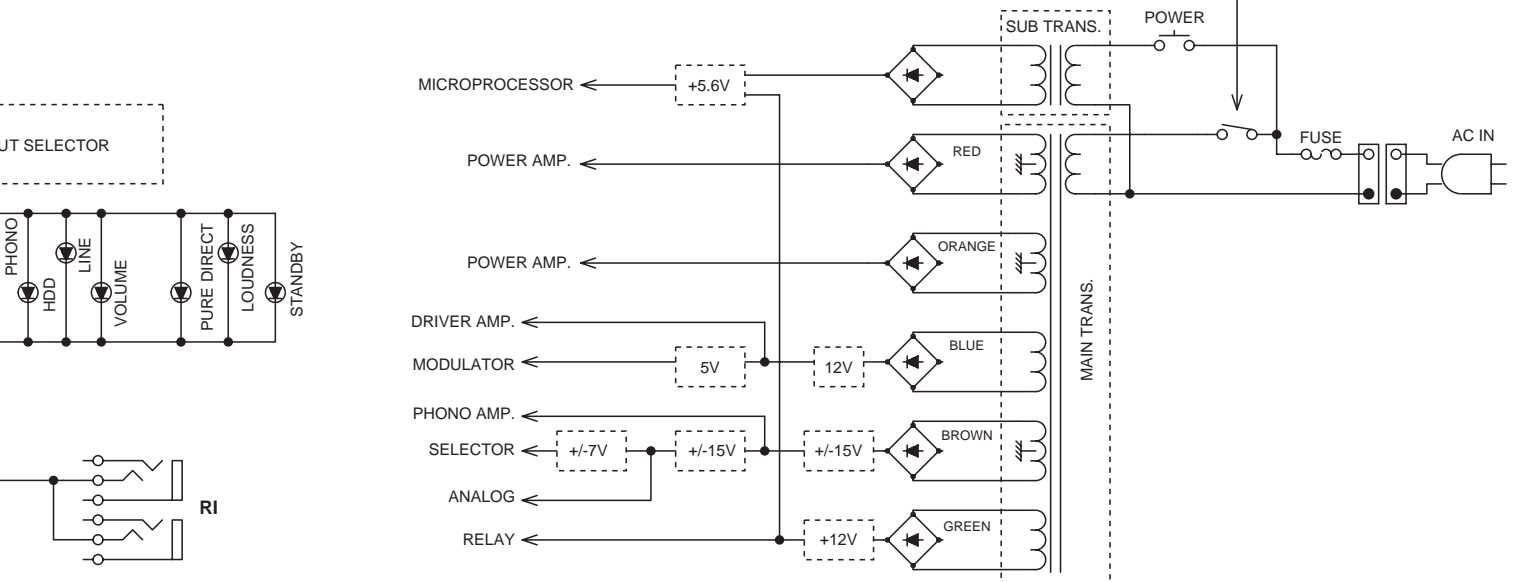
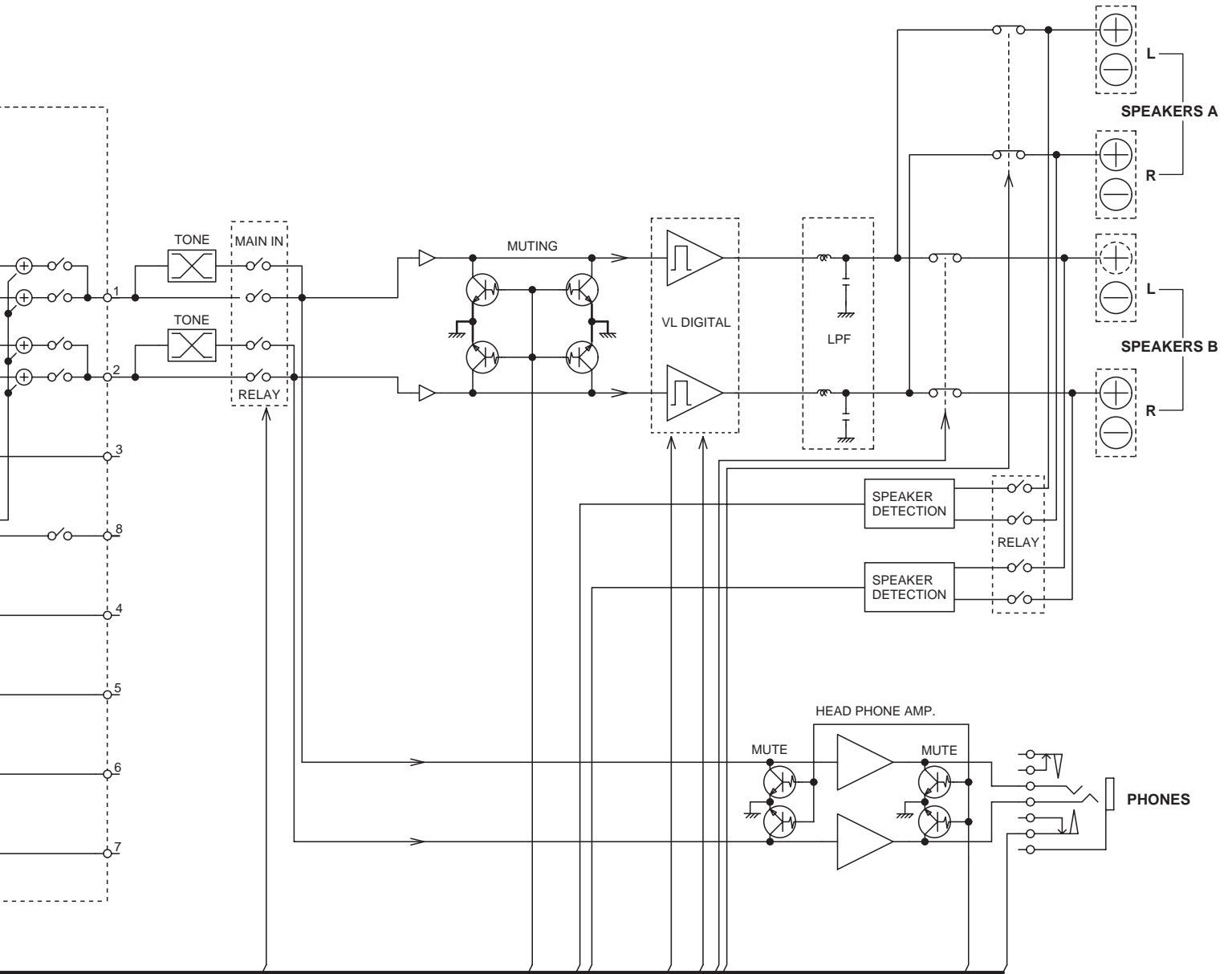


E

F

G

H



# SCHEMATIC DIAGRAMS-1

## POWER AMP. SECTION

1

2

3

4

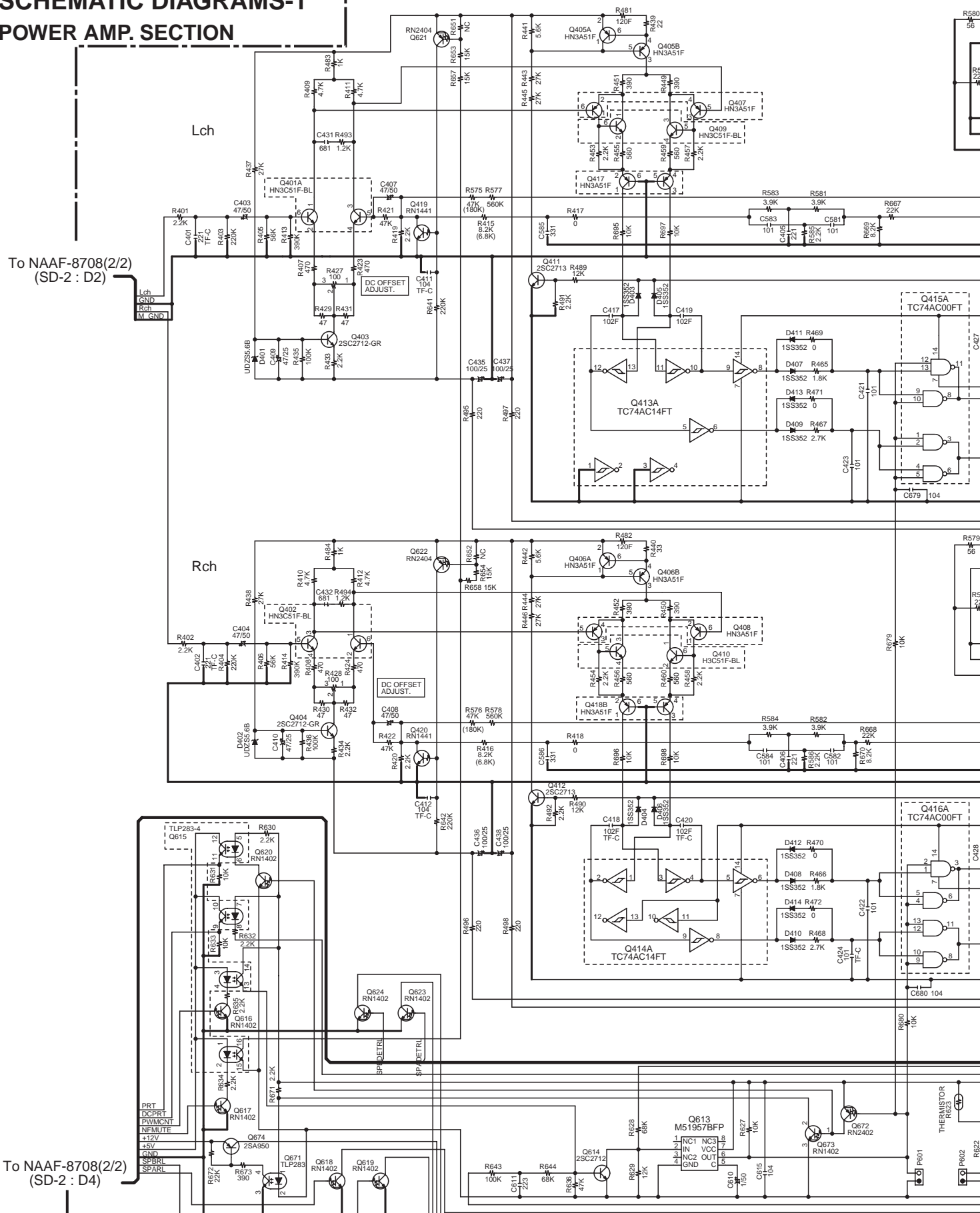
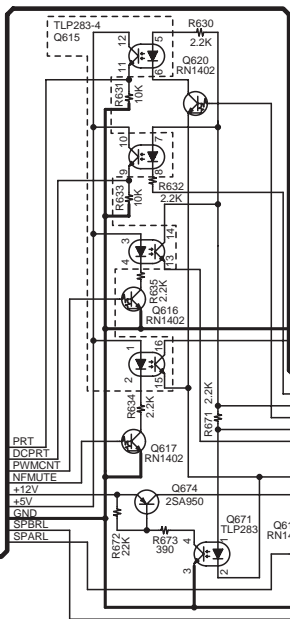
5

To NAAF-8708(2/2)  
(SD-2 : D2)

To NAAF-8708(2/2)  
(SD-2 : D4)

Lch

Rch



E

F

G

H

NAAF-8708 (1/2)

U01  
AMPLIFIER PC BOARD

SPEAKERS

A LEFT

B LEFT

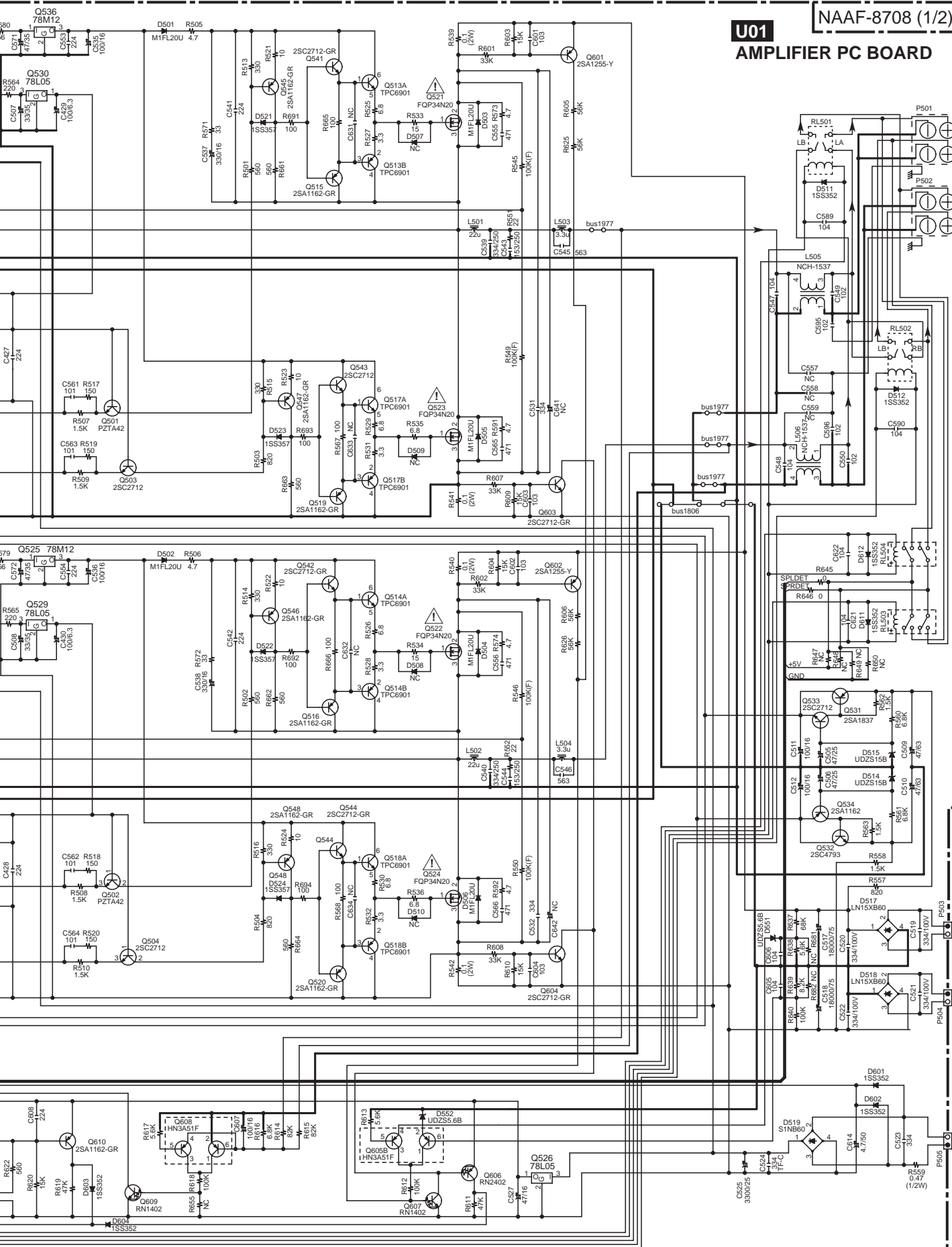
A RIGHT

B RIGHT

To P TRANS.  
T911  
(SD-5 : A1)  
RED  
RED

To P TRANS.  
T911  
(SD-5 : A2)  
ORANGE  
ORANGE

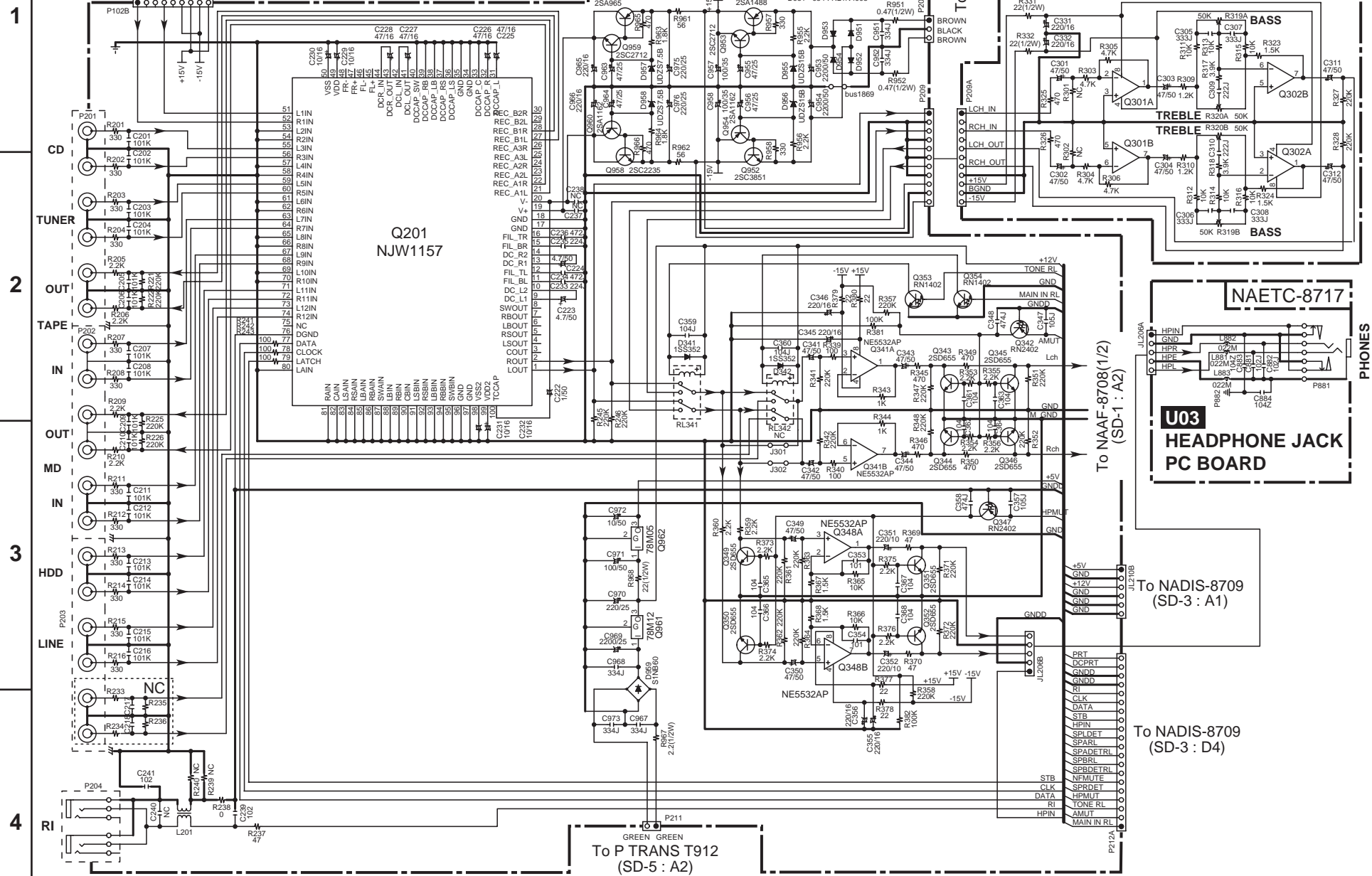
To P TRANS.  
T911  
(SD-5 : A2)  
BLUE  
BLUE



# SCHEMATIC DIAGRAMS-2

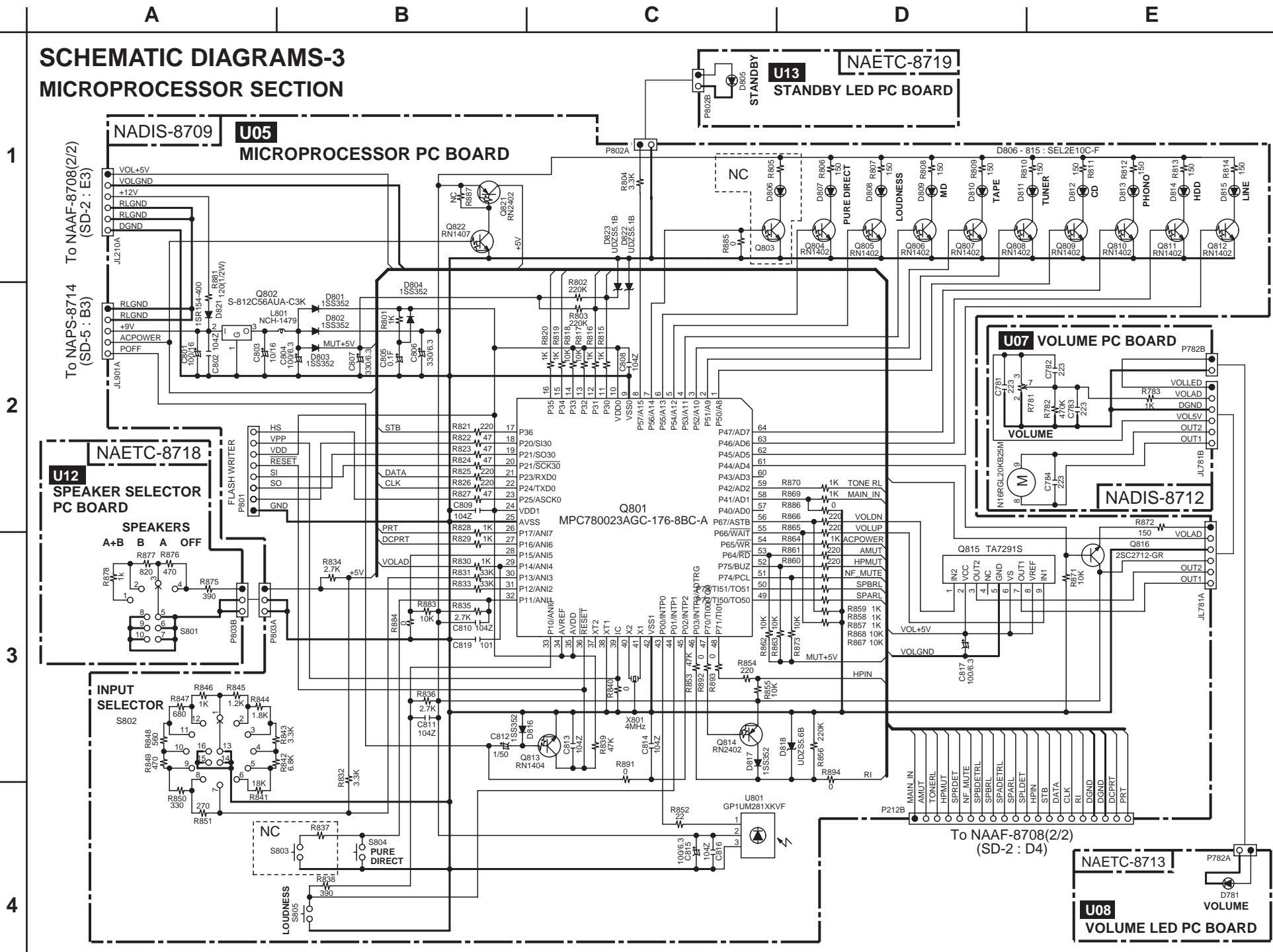
## PRE-AMPLIFIER SECTION

<Note>  
NC = No mount of parts.  
SD-Z : XY  
Location of connected terminal in schematic diagrams.  
SD-Z = Schematic diagrams-Z, X = A to H, Y = 1 to 5.





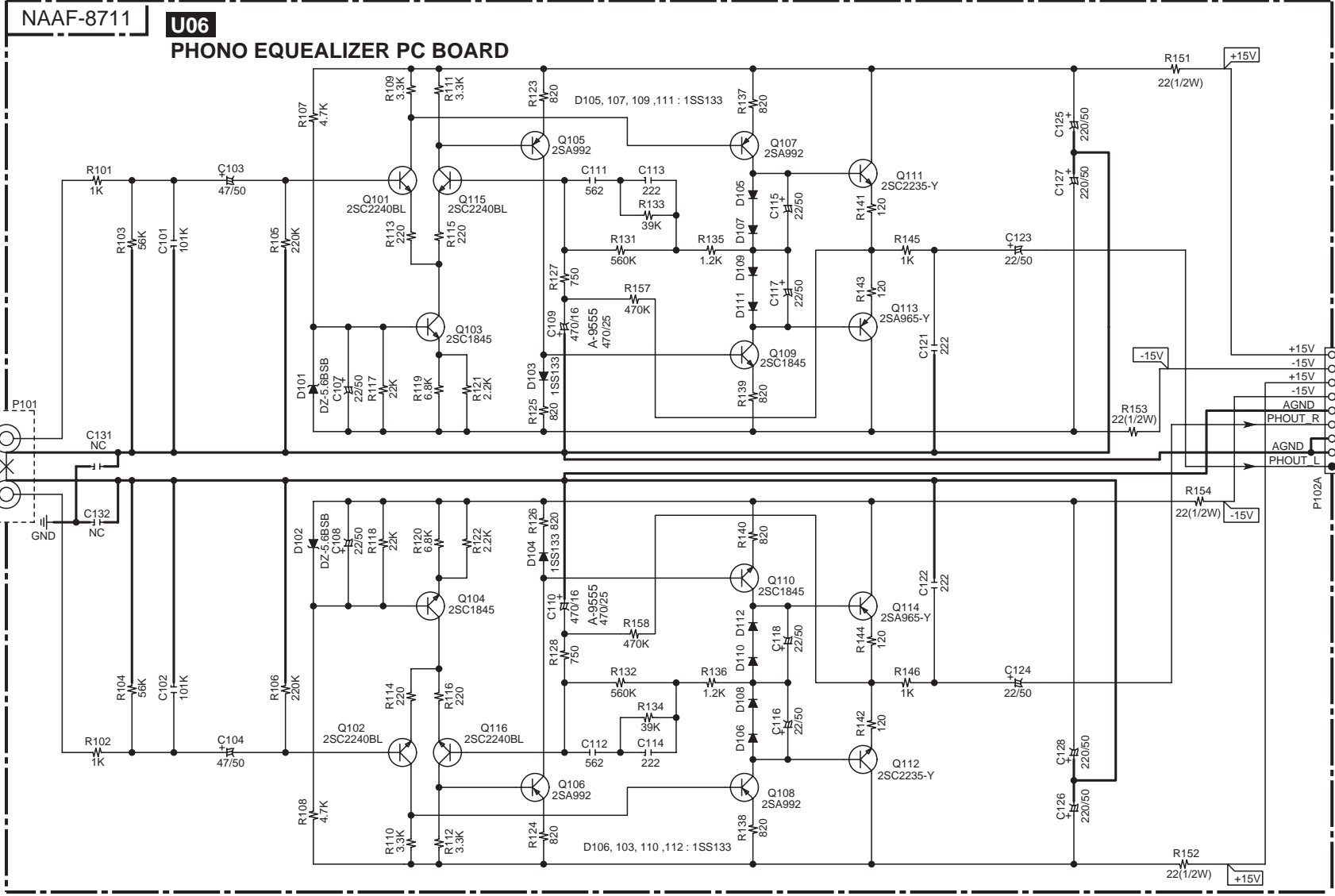
# SCHEMATIC DIAGRAMS-3 MICROPROCESSOR SECTION



# SCHEMATIC DIAGRAMS-4

## PHONO EQUALIZER SECTION

1  
2  
3  
4



To NAAF-8708(2/2)  
(SD-2 : A1)

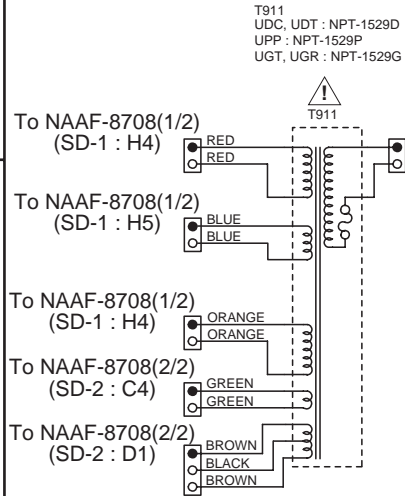
# SCHEMATIC DIAGRAMS-5 POWER SUPPLY

1

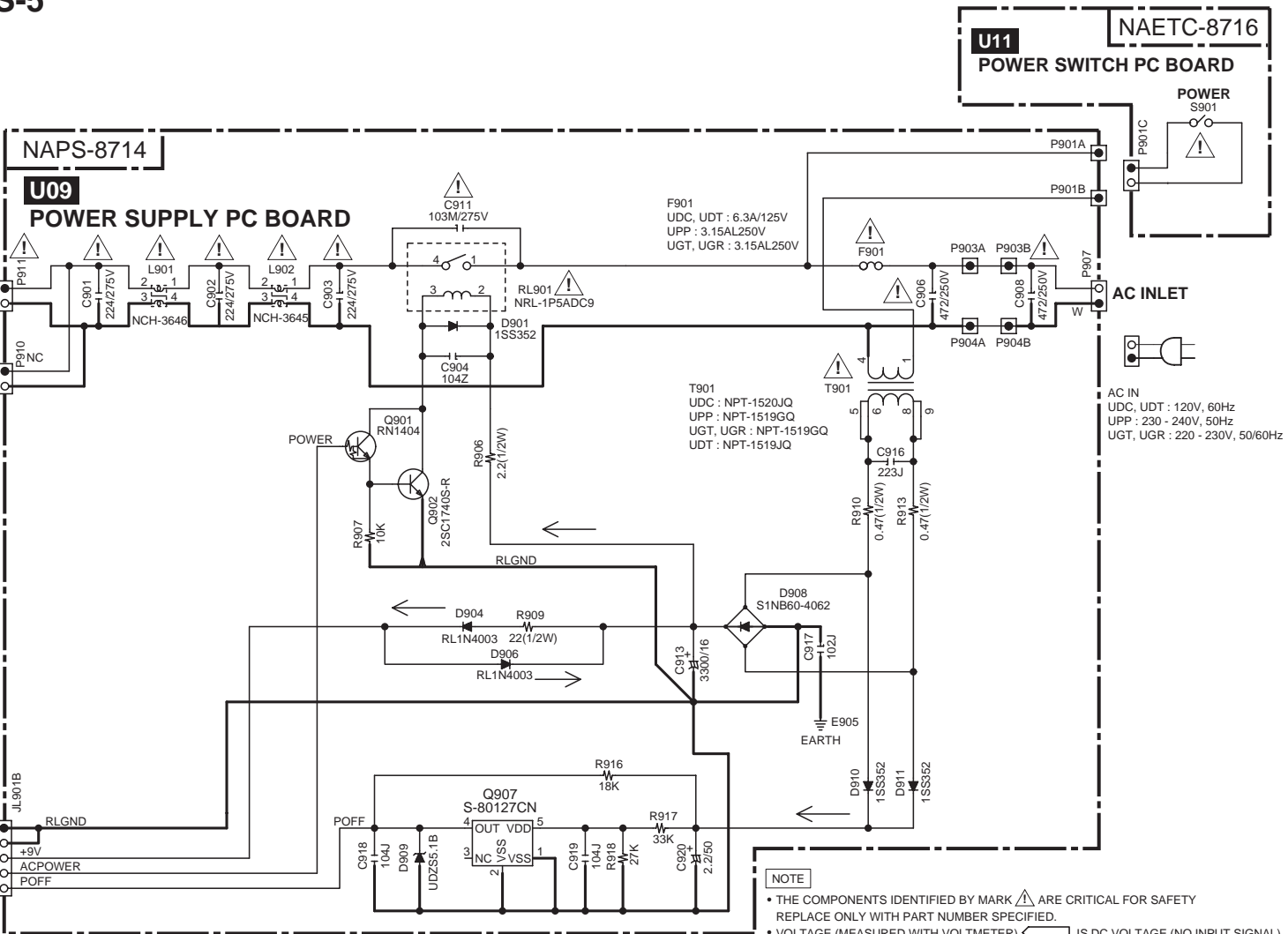
2

3

4



To NADIS-8709  
(SD-3 : A2)



- NOTE**
- THE COMPONENTS IDENTIFIED BY MARK ARE CRITICAL FOR SAFETY REPLACE ONLY WITH PART NUMBER SPECIFIED.
  - VOLTAGE (MEASURED WITH VOLTMETER) IS DC VOLTAGE.(NO INPUT SIGNAL).
  - ALL PNP TRANSISTORS ARE EQUIVALENT TO 2SA1015-GR UNLESS OTHERWISE NOTED.
  - ALL NPN TRANSISTORS ARE EQUIVALENT TO 2SC1815-GR UNLESS OTHERWISE NOTED.
  - ALL DIODES ARE EQUIVALENT TO 1SS133 UNLESS OTHERWISE NOTED.
  - ELECTROLYTIC CAPACITORS ( ) ARE IN uF/WV.
  - ALL CAPACITORS ARE IN pF/50V/V UNLESS OTHERWISE NOTED.  
EX) 030- 3pF 330- 33pF 331- 330pF 333- 0.033uF
  - ALL RESISTORS ARE IN OHMS 1/4WATTS UNLESS OTHERWISE NOTED.
  - THE THICK LINES ON PC BOARD ARE THE PRINTING SIDE OF THE PARTS.  
EX) PRINTING SIDE
  - CIRCUIT IS SUBJECT TO CHANGE FOR IMPROVEMENT.

**CAUTION**  
FOR CONTINUED PROTECTION AGAINST FIRE HAZARD, REPLACE ONLY WITH FUSE OF SAME TYPE AND RATING INDICATED.

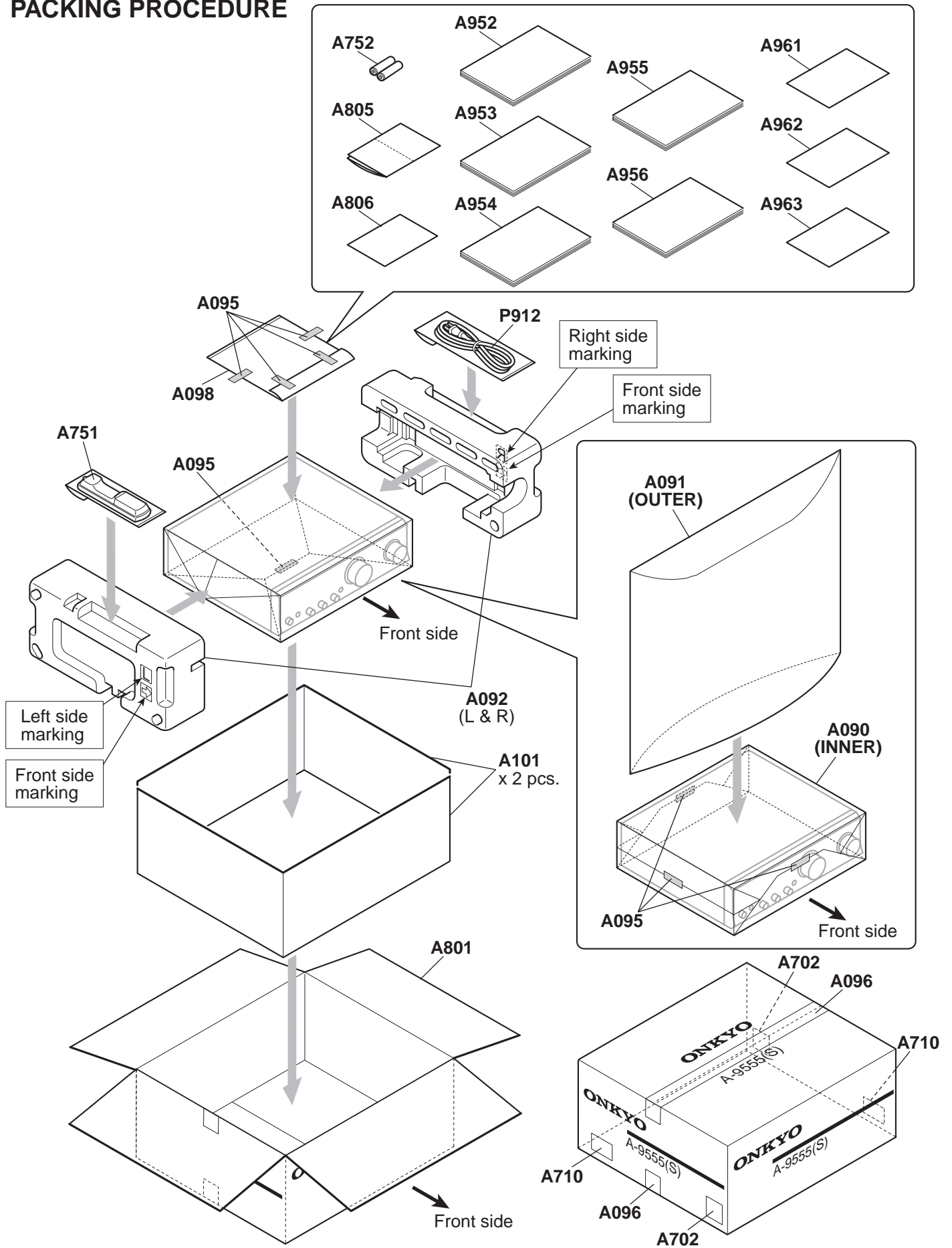
**ATTENTION**  
AFIN D'ASSURER UNE PROTECTION PERMANENTE CONTRE LES RISQUES D'INCENDIE, REMPLACER UNIQUEMENT PAR UN FUSIBLE DE MEME TYPE ET CALIBRATION COMME INDIQUE.

THIS SYMBOL LOCATED NEAR THE FUSE INDICATES THAT THE FUSE USED IS SLOW OPERATING TYPE FOR CONTINUED PROTECTION AGAINST FIRE HAZARD, REPLACE WITH SAME TYPE FUSE. FOR FUSE RATING REFER TO THE MARKING ADJACENT TO THE SYMBOL.

CE SYMBOLE INDIQUE QUE LE FUSIBLE UTILISE EST E LENT.POUR UNE PROTECTION PERMANENTE,N'UTILISER QUE DES FUSIBLES DE MEME TYPE. CE DERNIER EST INDIQUE LA QU LE PRESENT SYMBOLE EST APPOSE.

**<Note>**  
NC = No mount of parts.  
SD-Z : XY  
Location of connected terminal in schematic diagrams.  
SD-Z = Schematic diagrams-Z. X = A to H, Y = 1 to 5.

# PACKING PROCEDURE



**A-9555****<Note>**

Parts marked by 'NSP' are generally unavailable because they are not in our Master Spare Parts List.

NOTE : THE COMPONENTS IDENTIFIED BY THE MARK  
! ARE CRITICAL FOR RISK OF FIRE AND  
ELECTRIC SHOCK. REPLACE ONLY WITH PART  
NUMBER SPECIFIED

**<Notes>**

(B) : Black model only

(S) : Silver model only

(G) : Golden model only

&lt;DC&gt; : Canadian model

&lt;PP&gt; : European model

&lt;GT&gt; : Asian model

&lt;DT&gt; : Taiwanese model

&lt;GR&gt; : Chinese model only

**EXPLODED VIEW PARTS LIST**

	REF. NO.	NAME	DESCRIPTION	Q'TY	PART NO.	REMARKS
EV	A001	F BRACKET	---	1	27111426	
EV	A002	SCREW	3TTB+8B(CU)SR	23	8016118	
EV	A005	SCREW	3P+10FN(3BC)	2	82143010GR	
EV	A008	RETAINER	(SEL)	1	27141998	
EV	A009	RETAINER	(HP)	1	27141999	
EV	A021	CHASSIS	---	1	---	NSP
EV	A022	LEG	AS	4	27175425	
EV	A025	CUSHION	---	4	28141647	
EV	A026	SCREW	3TTB+8B(3BC)	4	838430088GR	
EV	A029	BRACKET	(PT)	1	27130994A	
EV	A030	SCREW	3TTB+8B(3BC)	4	838430088GR	
EV	A033	HOLDER	KGLS-16RT	11	27190511	
EV	A034	SCREW	3TTB+8B(CU)SR	5	801618	
EV	A035	CLAMP	WS-2NS	2	27300833	
EV	A036	HOLDER	(CRAMP) UA-0 V0	3	27190608-1	
EV	A037	TAPE	TAPE(CLOTH-16U)	(1)	29110083	
EV	A043	HEAT SINK	(S)221	2	27160578A	
EV	A045	PC BUSH(3)	---	4	800529	
EV	A046	SCREW	3TTB+8B(CU)SR	5	801618	
EV	A048	SCREW	3TTB+8B(CU)SR	6	801618	
EV	A051	GUIDE	(POW)	1	27268163	
EV	A052	KNOB	(SEL-BASE)	1	28326414A	(B)
EV	A052	KNOB	(SEL-BASE)	1	28326413A	(S)
EV	A052	KNOB	(SEL-BASE)	1	28326415A	(G)
EV	A053	KNOB	(SEL-BASE2)	1	28326417	(B)
EV	A053	KNOB	(SEL-BASE2)	1	28326416	(S)
EV	A053	KNOB	(SEL-BASE2)	1	28326418	(G)

EV	A061	BOLT	4HB x 12F(3BC)	4	84144012	
EV	A062	F NUT	FWN4 x 10FN(3BC)	4	86444010GR	
EV	A063	SP WASHER	SW-4(3BC)(SP-WASHER)	4	871440GR	
EV	A064	WASHER	W4 x 12F(3BC)	4	87644012GR	
EV	A081	COVER	---	1	28184950	(B)
EV	A081	COVER	---	1	28184949	(S)
EV	A081	COVER	---	1	28184951	(G)
EV	A082	SCREW	3TTB+8B(3BC)	2	838430088GR	(B)
EV	A082	SCREW	3TTB+8B(3CM)	2	838130088GR	(S)
EV	A082	SCREW	3TTB+8B(3CM)	2	838130088GR	(G)
EV	A083	ST SCREW	4TTB+8C(3BC)	4	838440089GR	(B)
EV	A083	ST SCREW	4TTB+8C(NI)	4	838240089	(S)
EV	A083	ST SCREW	4TTB+8C(NI)	4	838240089	(G)
EV	A084	CUSHION	T4L20D10	3	28141566	
EV	A085	ISO PLT	---	4	28175323	
EV	A086	ANTI VIB	8 x 5 x 3	1	24847052	
EV	A100	LABEL	PT	1	29364253	
EV	A101	REAR PANEL	---	1	27123630	<DC>
EV	A101	REAR PANEL	---	1	27123508B	<PP>
EV	A101	REAR PANEL	---	1	27123510B	<GT>
EV	A101	REAR PANEL	---	1	27123511B	<DT>
EV	A101	REAR PANEL	---	1	27123509B	<GR>
EV	A102	WASHER	W3 x 10F(3BC)	1	87643010GR	
EV	A103	TRM	GND TERMINAL	1	25060151	
EV	A104	SCREW	3TTB+8B(3BC) CLAW	16	801525GR	
EV	A105	F PANEL	---	1	27212832A	(B)
EV	A105	F PANEL	---	1	27212831A	(S)
EV	A105	F PANEL	---	1	27212833A	(G)
EV	A110	BADGE	ONKYO	1	28135243	(B)
EV	A110	BADGE	ONKYO	1	28135299	(S)
EV	A110	BADGE	ONKYO	1	28135242	(G)
EV	A116	GUIDE	(SEL)AS	1	27268181	(B)
EV	A116	GUIDE	(SEL)AS	1	27268180	(S)
EV	A116	GUIDE	(SEL)AS	1	27268182	(G)
EV	A117	GUIDE	(TONE)AS	1	27268175	(B)
EV	A117	GUIDE	(TONE)AS	1	27268174	(S)
EV	A117	GUIDE	(TONE)AS	1	27268176	(G)
EV	A121	END CAP	(L)	1	28125430	(B)
EV	A121	END CAP	(L)	1	28125428	(S)
EV	A121	END CAP	(L)	1	28125432	(G)
EV	A122	END CAP	(R)	1	28125431	(B)
EV	A122	END CAP	(R)	1	28125429	(S)
EV	A122	END CAP	(R)	1	28125433	(G)
EV	A123	RIVET	P-RIVET NRP-345	4	880009	
EV	A124	KNOB	(VOL)AS	1	28326420	(B)
EV	A124	KNOB	(VOL)AS	1	28326419	(S)
EV	A124	KNOB	(VOL)AS	1	28326421	(G)
EV	A125	CUSHION	.t10 x 10 x 15	3	28141614	
EV	A126	CUSHION	30x30xt10	3	28141535	
EV	A127	KNOB	(SEL)AS	1	28326423	(B)
EV	A127	KNOB	(SEL)AS	1	28326422	(S)

EV	A127	KNOB	(SEL)AS	1	28326424	(G)
EV	A128	CUSHION	---	4	28141603	
EV	A130	KNOB	(TONE)	3	28326429	(B)
EV	A130	KNOB	(TONE)	3	28326428	(S)
EV	A130	KNOB	(TONE)	3	28326430	(G)
EV	A131	KNOB	(POW)AS(B)	1	28326399	(B)
EV	A131	KNOB	(POW)AS(S)	1	28326380	(S)
EV	A131	KNOB	(POW)AS(G)	1	28326400	(G)
EV	A135	TAPE	TAPE(CLOTH-16U)	(1)	29110083	
EV	A137	SCREW	3TTB+8B(CU)SR	3	801618	
EV	A138	SCREW	3TTB+8B(3BC)	3	838430088GR	
EV	A139	SCREW	4TTB+8C(3BC)	2	838440089GR	
EV	A140	CUSHION	(VOL)	1	28141661A	
EV	A141	CUSHION	(VOL)	1	28141662	
EV	A142	CUSHION	15 x 10	2	28141580	
EV	A145	CUSHION	---	1	28141498A	
EV	A963	P RIVET	P-3055B-8L	8	880048	<PP>
EV	A963	P RIVET	P-3055B-8L	8	880048	<GT, GR>
EV	E401	WIRE TIE	BSK-1	8	260208	
EV	F901	FUSE	6.3A-T/UL-ST2	1	252260GR	!, <DC, DT>
EV	F901	FUSE	3.15A-SE-TL250V	1	252276GR	!, <PP>
EV	F901	FUSE	3.15A-SE-TL250V	1	252276GR	!, <GT, GR>
EV	F901C	FUSE LABEL	6.3A/125V	1	29362027	!, <DC, DT>
EV	P101A	SHORT PIN	YKV11-0435N	2	25056583	
EV	P212	FFC	NCFC5-203012	1	2045203012	
EV	T911	P TRANS	NPT-1529D	1	2301849B	!, <DC, DT>
EV	T911	P TRANS	NPT-1529P	1	2301847A	!, <PP>
EV	T911	P TRANS	NPT-1529G	1	2301848A	!, <GT, GR>
EV	U01	AMPLIFIER PC board ass'y	NAAF-8708-1B	1	1B093508-1B	
EV	U02	TONE CONTROL PC board ass'y	NAAF-8710-1B	1	1B093510-1B	
EV	U03	HEADPHONE JACK PC board ass'y	NAETC-8717-1B	1	1B093517-1B	
EV	U05	MICROPROCESSOR PC board ass'y	NADIS-8709-1K	1	1B093509-1K	<DC>
EV	U05	MICROPROCESSOR PC board ass'y	NADIS-8709-1F	1	1B093509-1F	<PP>
EV	U05	MICROPROCESSOR PC board ass'y	NADIS-8709-1G	1	1B093509-1G	<GT>
EV	U05	MICROPROCESSOR PC board ass'y	NADIS-8709-1J	1	1B093509-1J	<DT>
EV	U05	MICROPROCESSOR PC board ass'y	NADIS-8709-1H	1	1B093509-1H	<GR>
EV	U06	PHONO EQUALIZER PC board ass'y	NAAF-8711-1K	1	1B093511-1K	<DC>
EV	U06	PHONO EQUALIZER PC board ass'y	NAAF-8711-1F	1	1B093511-1F	<PP>
EV	U06	PHONO EQUALIZER PC board ass'y	NAAF-8711-1G	1	1B093511-1G	<GT>
EV	U06	PHONO EQUALIZER PC board ass'y	NAAF-8711-1J	1	1B093511-1J	<DT>
EV	U06	PHONO EQUALIZER PC board ass'y	NAAF-8711-1H	1	1B093511-1H	<GR>
EV	U07	VOLUME PC board ass'y	NADIS-8712-1K	1	1B093512-1K	<DC>
EV	U07	VOLUME PC board ass'y	NADIS-8712-1F	1	1B093512-1F	<PP>
EV	U07	VOLUME PC board ass'y	NADIS-8712-1G	1	1B093512-1G	<GT>
EV	U07	VOLUME PC board ass'y	NADIS-8712-1J	1	1B093512-1J	<DT>
EV	U07	VOLUME PC board ass'y	NADIS-8712-1H	1	1B093512-1H	<GR>
EV	U08	VOLUME LED PC board ass'y	NAETC-8713-1K	1	1B093513-1K	<DC>
EV	U08	VOLUME LED PC board ass'y	NAETC-8713-1F	1	1B093513-1F	<PP>
EV	U08	VOLUME LED PC board ass'y	NAETC-8713-1G	1	1B093513-1G	<GT>
EV	U08	VOLUME LED PC board ass'y	NAETC-8713-1J	1	1B093513-1J	<DT>
EV	U08	VOLUME LED PC board ass'y	NAETC-8713-1H	1	1B093513-1H	<GR>

EV	U09	POWER SUPPLY PC board ass'y	NAPS-8714-1K	1	1B093514-1K	<DC>
EV	U09	POWER SUPPLY PC board ass'y	NAPS-8714-1F	1	1B093514-1F	<PP>
EV	U09	POWER SUPPLY PC board ass'y	NAPS-8714-1G	1	1B093514-1G	<GT>
EV	U09	POWER SUPPLY PC board ass'y	NAPS-8714-1J	1	1B093514-1J	<DT>
EV	U09	POWER SUPPLY PC board ass'y	NAPS-8714-1H	1	1B093514-1H	<GR>
EV	U11	POWER SWITCH PC board ass'y	NAETC-8716-1K	1	1B093516-1K	<DC>
EV	U11	POWER SWITCH PC board ass'y	NAETC-8716-1F	1	1B093516-1F	<PP>
EV	U11	POWER SWITCH PC board ass'y	NAETC-8716-1G	1	1B093516-1G	<GT>
EV	U11	POWER SWITCH PC board ass'y	NAETC-8716-1J	1	1B093516-1J	<DT>
EV	U11	POWER SWITCH PC board ass'y	NAETC-8716-1H	1	1B093516-1H	<GR>
EV	U12	SPEAKER SELECTOR PC board ass'y	NAETC-8718-1K	1	1B093518-1K	<DC>
EV	U12	SPEAKER SELECTOR PC board ass'y	NAETC-8718-1F	1	1B093518-1F	<PP>
EV	U12	SPEAKER SELECTOR PC board ass'y	NAETC-8718-1G	1	1B093518-1G	<GT>
EV	U12	SPEAKER SELECTOR PC board ass'y	NAETC-8718-1J	1	1B093518-1J	<DT>
EV	U12	SPEAKER SELECTOR PC board ass'y	NAETC-8718-1H	1	1B093518-1H	<GR>
EV	U13	STANDBY LED PC board ass'y	NAETC-8719-1K	1	1B093519-1K	<DC>
EV	U13	STANDBY LED PC board ass'y	NAETC-8719-1F	1	1B093519-1F	<PP>
EV	U13	STANDBY LED PC board ass'y	NAETC-8719-1G	1	1B093519-1G	<GT>
EV	U13	STANDBY LED PC board ass'y	NAETC-8719-1J	1	1B093519-1J	<DT>
EV	U13	STANDBY LED PC board ass'y	NAETC-8719-1H	1	1B093519-1H	<GR>

A-9555

## PC BOARD PARTS LIST

PCB1	<b>U01</b>	<b>AMPLIFIER PC BOARD (NAAF-8708-1B)</b>
PCB1	<b>U02</b>	<b>TONE CONTROL PC BOARD (NAAF-8710-1B)</b>
PCB1	<b>U03</b>	<b>HEADPHONE JACK PC BOARD (NAETC-8717-1B)</b>

PCB1	CIRCUIT NO.	NAME	DESCRIPTION	Q'TY	PART NO.	REMARKS
PCB1	Q615	PHT CP	TLP283-4	1	24120130R2	
PCB1	Q671	PHT CP	TLP283	1	24120133R2	
PCB1	Q201	IC	NJW1157B	1	22242193R3	
PCB1	Q301	IC	NE5532AP(TI)	1	22242274	
PCB1	Q302	IC	NE5532AP(TI)	1	22242274	
PCB1	Q341	IC	NE5532AP(TI)	1	22242274	
PCB1	Q348	IC	NE5532AP(TI)	1	22242274	
PCB1	Q413	IC	TC74AC14FT	1	22242217R2	
PCB1	Q414	IC	TC74AC14FT	1	22242217R2	
PCB1	Q415	IC	TC74AC00FT	1	22242244R2	
PCB1	Q416	IC	TC74AC00FT	1	22242244R2	
PCB1	Q525	IC	78M12HF(NJM78M12FA)	1	222780125JRC	
PCB1	Q526	IC	78L05(NJM78L05UA)	1	222780053R2JR	
PCB1	Q529	IC	78L05(NJM78L05UA)	1	222780053R2JR	
PCB1	Q530	IC	78L05(NJM78L05UA)	1	222780053R2JR	
PCB1	Q536	IC	78M12HF(NJM78M12FA)	1	222780125JRC	
PCB1	Q613	IC	M51957BFP	1	22241239R2	
PCB1	Q961	IC	78M12HF(NJM78M12FA)	1	222780125JRC	
PCB1	Q961A	HEAT SINK	RAD-141	1	27160472	
PCB1	Q961B	SCREW	3TTB+8B(CU)SR	1	801618	
PCB1	Q962	IC	78M05(NJM78M05FA)	1	222780055JRC	
PCB1	Q342	TR	RN2402	1	2214530R2	



PCB1	Q343	TR		2SD655-F	1	2211706	
PCB1	Q344	TR		2SD655-F	1	2211706	
PCB1	Q345	TR		2SD655-F	1	2211706	
PCB1	Q346	TR		2SD655-F	1	2211706	
PCB1	Q347	TR		RN2402	1	2214530R2	
PCB1	Q349	TR		2SD655-F	1	2211706	
PCB1	Q350	TR		2SD655-F	1	2211706	
PCB1	Q351	TR		2SD655-F	1	2211706	
PCB1	Q352	TR		2SD655-F	1	2211706	
PCB1	Q353	TR		RN1402	1	2214470R2	
PCB1	Q401	TR		HN3C51F-BL(TE85L_F)	1	2217185R2	
PCB1	Q402	TR		HN3C51F-BL(TE85L_F)	1	2217185R2	
PCB1	Q403	TR		2SC2712-GR	1	2213145R2	
PCB1	Q404	TR		2SC2712-GR	1	2213145R2	
PCB1	Q405	TR		HN3A51F(TE85L_F)	1	2217190R2	
PCB1	Q406	TR		HN3A51F(TE85L_F)	1	2217190R2	
PCB1	Q407	TR		HN3A51F(TE85L_F)	1	2217190R2	
PCB1	Q408	TR		HN3A51F(TE85L_F)	1	2217190R2	
PCB1	Q409	TR		HN3C51F-BL(TE85L_F)	1	2217185R2	
PCB1	Q410	TR		HN3C51F-BL(TE85L_F)	1	2217185R2	
PCB1	Q411	TR		2SC2713-GR(TE85R_F)	1	2213135R2	
PCB1	Q412	TR		2SC2713-GR(TE85R_F)	1	2213135R2	
PCB1	Q417	TR		HN3A51F(TE85L_F)	1	2217190R2	
PCB1	Q418	TR		HN3A51F(TE85L_F)	1	2217190R2	
PCB1	Q419	TR		RN1441	1	2215410R2	
PCB1	Q420	TR		RN1441	1	2215410R2	
PCB1	Q501	TR		PZTA42	1	2217260R2	
PCB1	Q502	TR		PZTA42	1	2217260R2	
PCB1	Q503	TR		2SC2712-GR	1	2213145R2	
PCB1	Q504	TR		2SC2712-GR	1	2213145R2	
PCB1	Q513	TR		TPC6901	1	2217170R2	
PCB1	Q514	TR		TPC6901	1	2217170R2	
PCB1	Q515	TR		2SA1162-GR	1	2214375R2	
PCB1	Q516	TR		2SA1162-GR	1	2214375R2	
PCB1	Q517	TR		TPC6901	1	2217170R2	
PCB1	Q518	TR		TPC6901	1	2217170R2	
PCB1	Q519	TR		2SA1162-GR	1	2214375R2	
PCB1	Q520	TR		2SA1162-GR	1	2214375R2	
PCB1	Q521	TR		FQP34N20	1	2203960	!
PCB1	Q521A	ISO SHEET		M80 D-2	1	223037	
PCB1	Q521B	TR BUSH		T3035-6110	1	223035	
PCB1	Q521C	SCREW		3SMP6W_SW+8FN(CU)	1	801635	
PCB1	Q521D	HEAT SINK		220	1	27160577B	
PCB1	Q521E	HEAT SINK		222	1	27160579	
PCB1	Q521F	SCREW		3TTB+8B(CU)SR	2	801618	
PCB1	Q522	TR		FQP34N20	1	2203960	!
PCB1	Q522A	ISO SHEET		M80 D-2	1	223037	
PCB1	Q522B	TR BUSH		T3035-6110	1	223035	
PCB1	Q522C	SCREW		3SMP6W_SW+8FN(CU)	1	801635	
PCB1	Q523	TR		FQP34N20	1	2203960	!
PCB1	Q523A	ISO SHEET		M80 D-2	1	223037	

PCB1	Q523B	TR BUSH	T3035-6110	1	223035	
PCB1	Q523C	SCREW	3SMP6W_SW+8FN(CU)	1	801635	
PCB1	Q524	TR	FQP34N20	1	2203960	!
PCB1	Q524A	ISO SHEET	M80 D-2	1	223037	
PCB1	Q524B	TR BUSH	T3035-6110	1	223035	
PCB1	Q524C	SCREW	3SMP6W_SW+8FN(CU)	1	801635	
PCB1	Q531	TR	2SA1837(F)	1	2202790	
PCB1	Q532	TR	2SC4793(F)	1	2202800	
PCB1	Q533	TR	2SC2712-GR	1	2213145R2	
PCB1	Q534	TR	2SA1162-GR	1	2214375R2	
PCB1	Q541	TR	2SC2712-GR	1	2213145R2	
PCB1	Q542	TR	2SC2712-GR	1	2213145R2	
PCB1	Q543	TR	2SC2712-GR	1	2213145R2	
PCB1	Q544	TR	2SC2712-GR	1	2213145R2	
PCB1	Q545	TR	2SA1162-GR	1	2214375R2	
PCB1	Q546	TR	2SA1162-GR	1	2214375R2	
PCB1	Q547	TR	2SA1162-GR	1	2214375R2	
PCB1	Q548	TR	2SA1162-GR	1	2214375R2	
PCB1	Q601	TR	2SA1255-Y	1	2217273R2	
PCB1	Q602	TR	2SA1255-Y	1	2217273R2	
PCB1	Q603	TR	2SC2712-GR	1	2213145R2	
PCB1	Q604	TR	2SC2712-GR	1	2213145R2	
PCB1	Q605	TR	HN3A51F(TE85L_F)	1	2217190R2	
PCB1	Q606	TR	RN2402	1	2214530R2	
PCB1	Q607	TR	RN1402	1	2214470R2	
PCB1	Q608	TR	HN3A51F(TE85L_F)	1	2217190R2	
PCB1	Q609	TR	RN1402	1	2214470R2	
PCB1	Q610	TR	2SA1162-GR	1	2214375R2	
PCB1	Q614	TR	2SC2712-GR	1	2213145R2	
PCB1	Q616	TR	RN1402	1	2214470R2	
PCB1	Q617	TR	RN1402	1	2214470R2	
PCB1	Q618	TR	RN1402	1	2214470R2	
PCB1	Q619	TR	RN1402	1	2214470R2	
PCB1	Q620	TR	RN1402	1	2214470R2	
PCB1	Q621	TR	RN2404(TE85L_F)	1	2214550R2	
PCB1	Q622	TR	RN2404(TE85L_F)	1	2214550R2	
PCB1	Q623	TR	RN1402	1	2214470R2	
PCB1	Q624	TR	RN1402	1	2214470R2	
PCB1	Q672	TR	RN2402	1	2214530R2	
PCB1	Q673	TR	RN1402	1	2214470R2	
PCB1	Q674	TR	2SA950-O	1	2211503	
PCB1	Q951	TR	2SA1488-O	1	2203393	
PCB1	Q951A	HEAT SINK	RAD-157	1	27160491	
PCB1	Q951B	SCREW	3TTB+8B(CU)SR	1	801618	
PCB1	Q952	TR	2SC3851-O	1	2203383	
PCB1	Q952A	HEAT SINK	RAD-157	1	27160491	
PCB1	Q952B	SCREW	3TTB+8B(CU)SR	1	801618	
PCB1	Q953	TR	2SC2712-GR	1	2213145R2	
PCB1	Q954	TR	2SA1162-GR	1	2214375R2	
PCB1	Q957	TR	2SA965-O(TPE6_F)	1	2211643	
PCB1	Q958	TR	2SC2235-O(TPE6_F)	1	2211653	

PCB1	Q959	TR	2SC2712-GR	1	2213145R2
PCB1	Q960	TR	2SA1162-GR	1	2214375R2
PCB1	D341	C-DIODE	1SS352	1	223234R2
PCB1	D401	ZENER D	UDZS5.6B	1	224550560R2
PCB1	D402	ZENER D	UDZS5.6B	1	224550560R2
PCB1	D403	C-DIODE	1SS352	1	223234R2
PCB1	D404	C-DIODE	1SS352	1	223234R2
PCB1	D405	C-DIODE	1SS352	1	223234R2
PCB1	D406	C-DIODE	1SS352	1	223234R2
PCB1	D407	C-DIODE	1SS352	1	223234R2
PCB1	D408	C-DIODE	1SS352	1	223234R2
PCB1	D409	C-DIODE	1SS352	1	223234R2
PCB1	D410	C-DIODE	1SS352	1	223234R2
PCB1	D411	C-DIODE	1SS352	1	223234R2
PCB1	D412	C-DIODE	1SS352	1	223234R2
PCB1	D413	C-DIODE	1SS352	1	223234R2
PCB1	D414	C-DIODE	1SS352	1	223234R2
PCB1	D501	DIODE	M1FL20U	1	223276R2
PCB1	D502	DIODE	M1FL20U	1	223276R2
PCB1	D503	DIODE	M1FL20U	1	223276R2
PCB1	D504	DIODE	M1FL20U	1	223276R2
PCB1	D505	DIODE	M1FL20U	1	223276R2
PCB1	D506	DIODE	M1FL20U	1	223276R2
PCB1	D511	C-DIODE	1SS352	1	223234R2
PCB1	D512	C-DIODE	1SS352	1	223234R2
PCB1	D514	ZENER D	UDZS15B	1	224551500R2
PCB1	D515	ZENER D	UDZS15B	1	224551500R2
PCB1	D517	DIODE	LN15XB60	1	22380347F
PCB1	D518	DIODE	LN15XB60	1	22380347F
PCB1	D519	C-DIODE	S1NB60-4062	1	22380318R2
PCB1	D521	C-DIODE	1SS357	1	223281R2
PCB1	D522	C-DIODE	1SS357	1	223281R2
PCB1	D523	C-DIODE	1SS357	1	223281R2
PCB1	D524	C-DIODE	1SS357	1	223281R2
PCB1	D551	ZENER D	UDZS5.6B	1	224550560R2
PCB1	D552	ZENER D	UDZS5.6B	1	224550560R2
PCB1	D601	C-DIODE	1SS352	1	223234R2
PCB1	D602	C-DIODE	1SS352	1	223234R2
PCB1	D603	C-DIODE	1SS352	1	223234R2
PCB1	D604	C-DIODE	1SS352	1	223234R2
PCB1	D611	C-DIODE	1SS352	1	223234R2
PCB1	D612	C-DIODE	1SS352	1	223234R2
PCB1	D951	DIODE	RL1N4003	1	22380260
PCB1	D952	DIODE	RL1N4003	1	22380260
PCB1	D953	DIODE	RL1N4003	1	22380260
PCB1	D954	DIODE	RL1N4003	1	22380260
PCB1	D955	ZENER D	UDZS15B	1	224551500R2
PCB1	D956	ZENER D	UDZS15B	1	224551500R2
PCB1	D957	ZENER D	UDZS7.5B	1	224550750R2
PCB1	D958	ZENER D	UDZS7.5B	1	224550750R2
PCB1	D959	C-DIODE	S1NB60-4062	1	22380318R2

PCB1	L201	CHOKE COIL	NCH-1538	1	231359
PCB1	L501	CHOKE COIL	NCH-1644	1	231346K220
PCB1	L502	CHOKE COIL	NCH-1644	1	231346K220
PCB1	L503	CHOKE COIL	NCH-1540	1	231362K
PCB1	L504	CHOKE COIL	NCH-1540	1	231362K
PCB1	L505	CHOKE COIL	NCH-1537	1	231358
PCB1	L506	CHOKE COIL	NCH-1537	1	231358
PCB1	L881	CHOKE COIL	NCH-1477	1	231237K220R2
PCB1	L882	CHOKE COIL	NCH-1477	1	231237K220R2
PCB1	L883	CHOKE COIL	NCH-1477	1	231237K220R2
PCB1	C201	TF C	ECQ-B50V-101K	1	374721015
PCB1	C202	TF C	ECQ-B50V-101K	1	374721015
PCB1	C203	TF C	ECQ-B50V-101K	1	374721015
PCB1	C204	TF C	ECQ-B50V-101K	1	374721015
PCB1	C205	TF C	ECQ-B50V-101K	1	374721015
PCB1	C206	TF C	ECQ-B50V-101K	1	374721015
PCB1	C207	TF C	ECQ-B50V-101K	1	374721015
PCB1	C208	TF C	ECQ-B50V-101K	1	374721015
PCB1	C209	TF C	ECQ-B50V-101K	1	374721015
PCB1	C210	TF C	ECQ-B50V-101K	1	374721015
PCB1	C211	TF C	ECQ-B50V-101K	1	374721015
PCB1	C212	TF C	ECQ-B50V-101K	1	374721015
PCB1	C213	TF C	ECQ-B50V-101K	1	374721015
PCB1	C214	TF C	ECQ-B50V-101K	1	374721015
PCB1	C215	TF C	ECQ-B50V-101K	1	374721015
PCB1	C216	TF C	ECQ-B50V-101K	1	374721015
PCB1	C222	VX C	CE04W50V-1M(VX_BLK)	1	397380107
PCB1	C223	VX C	CE04W50V-4.7M(VX_BLK)	1	397380477
PCB1	C224	VX C	CE04W50V-4.7M(VX_BLK)	1	397380477
PCB1	C225	VX C	CE04W16V 47M(VX_BLK)	1	397344707
PCB1	C226	VX C	CE04W16V 47M(VX_BLK)	1	397344707
PCB1	C227	VX C	CE04W16V 47M(VX_BLK)	1	397344707
PCB1	C228	VX C	CE04W16V 47M(VX_BLK)	1	397344707
PCB1	C229	VX C	CE04W16V-10M(VX_BLK)	1	397341007
PCB1	C230	VX C	CE04W16V-10M(VX_BLK)	1	397341007
PCB1	C231	VX C	CE04W16V-10M(VX_BLK)	1	397341007
PCB1	C232	VX C	CE04W16V-10M(VX_BLK)	1	397341007
PCB1	C233	TF C	ECQ-V50V-224J	1	374722244
PCB1	C234	C-FILM C	ECHU16V-472J	1	373044724R2
PCB1	C235	TF C	ECQ-V50V-224J	1	374722244
PCB1	C236	C-FILM C	ECHU16V-472J	1	373044724R2
PCB1	C239	C-CERA C	CC725CH1E-102J1	1	342111024R1
PCB1	C241	C-CERA C	CC725CH1E-102J1	1	342111024R1
PCB1	C301	VX C	CE04W50V 47M(VX_BLK)	1	397384707
PCB1	C302	VX C	CE04W50V 47M(VX_BLK)	1	397384707
PCB1	C303	VX C	CE04W50V 47M(VX_BLK)	1	397384707
PCB1	C304	VX C	CE04W50V 47M(VX_BLK)	1	397384707
PCB1	C305	TF C	ECQ-V50V-333J	1	374723334
PCB1	C306	TF C	ECQ-V50V-333J	1	374723334
PCB1	C307	TF C	ECQ-V50V-333J	1	374723334
PCB1	C308	TF C	ECQ-V50V-333J	1	374723334

PCB1	C309	TF C	ECQ-B50V-222J	1	374722224
PCB1	C310	TF C	ECQ-B50V-222J	1	374722224
PCB1	C311	VX C	CE04W50V 47M(VX_BLK)	1	397384707
PCB1	C312	VX C	CE04W50V 47M(VX_BLK)	1	397384707
PCB1	C331	VX C	CE04W16V-220M(VX_BLK)	1	397342217
PCB1	C332	VX C	CE04W16V-220M(VX_BLK)	1	397342217
PCB1	C341	VX C	CE04W50V 47M(VX_BLK)	1	397384707
PCB1	C342	VX C	CE04W50V 47M(VX_BLK)	1	397384707
PCB1	C343	VX C	CE04W50V 47M(VX_BLK)	1	397384707
PCB1	C344	VX C	CE04W50V 47M(VX_BLK)	1	397384707
PCB1	C345	VX C	CE04W16V-220M(VX_BLK)	1	397342217
PCB1	C346	VX C	CE04W16V-220M(VX_BLK)	1	397342217
PCB1	C347	TF C	ECQ-V50V-105J	1	374721054
PCB1	C348	TF C	ECQ-V50V-474J	1	374724744
PCB1	C349	VX C	CE04W50V 47M(VX_BLK)	1	397384707
PCB1	C350	VX C	CE04W50V 47M(VX_BLK)	1	397384707
PCB1	C351	VX C	CE04W10V-220M(VX_BLK)	1	397332217
PCB1	C352	VX C	CE04W10V-220M(VX_BLK)	1	397332217
PCB1	C353	TF C	ECQ-B50V-101K	1	374721015
PCB1	C354	TF C	ECQ-B50V-101K	1	374721015
PCB1	C355	VX C	CE04W16V-220M(VX_BLK)	1	397342217
PCB1	C356	VX C	CE04W16V-220M(VX_BLK)	1	397342217
PCB1	C357	TF C	ECQ-V50V-105J	1	374721054
PCB1	C358	TF C	ECQ-V50V-474J	1	374724744
PCB1	C359	TF C	ECQ-V50V-104J	1	374721044
PCB1	C361	TF C	ECQ-V50V-104J	1	374721044
PCB1	C362	TF C	ECQ-V50V-104J	1	374721044
PCB1	C363	TF C	ECQ-V50V-104J	1	374721044
PCB1	C364	TF C	ECQ-V50V-104J	1	374721044
PCB1	C365	TF C	ECQ-V50V-104J	1	374721044
PCB1	C366	TF C	ECQ-V50V-104J	1	374721044
PCB1	C367	TF C	ECQ-V50V-104J	1	374721044
PCB1	C368	TF C	ECQ-V50V-104J	1	374721044
PCB1	C401	TF C	ECQ-B50V-221K	1	374722215
PCB1	C402	TF C	ECQ-B50V-221K	1	374722215
PCB1	C403	VX C	CE04W50V 47M(VX_BLK)	1	397384707
PCB1	C404	VX C	CE04W50V 47M(VX_BLK)	1	397384707
PCB1	C405	TF C	ECQ-B50V-221K	1	374722215
PCB1	C406	TF C	ECQ-B50V-221K	1	374722215
PCB1	C407	VX C	CE04W50V 47M(VX_BLK)	1	397384707
PCB1	C408	VX C	CE04W50V 47M(VX_BLK)	1	397384707
PCB1	C409	VX C	CE04W25V-47M(VX_BLK)	1	397354707
PCB1	C410	VX C	CE04W25V-47M(VX_BLK)	1	397354707
PCB1	C411	TF C	ECQ-V50V-104J	1	374721044
PCB1	C412	TF C	ECQ-V50V-104J	1	374721044
PCB1	C417	FLIM C	ECQP50V-102F	1	3800038S
PCB1	C418	FLIM C	ECQP50V-102F	1	3800038S
PCB1	C419	FLIM C	ECQP50V-102F	1	3800038S
PCB1	C420	FLIM C	ECQP50V-102F	1	3800038S
PCB1	C421	TF C	ECQ-B50V-101K	1	374721015
PCB1	C422	TF C	ECQ-B50V-101K	1	374721015

PCB1	C423	TF C	ECQ-B50V-101K	1	374721015
PCB1	C424	TF C	ECQ-B50V-101K	1	374721015
PCB1	C427	C-CERA C	CK725F1H-224Z1	1	332152240R1
PCB1	C428	C-CERA C	CK725F1H-224Z1	1	332152240R1
PCB1	C429	VX C	CE04W6.3V-100M(VX_BLK)	1	397321017
PCB1	C430	VX C	CE04W6.3V-100M(VX_BLK)	1	397321017
PCB1	C431	C-FILM C	ECHU50V-681J	1	373026814R2
PCB1	C432	C-FILM C	ECHU50V-681J	1	373026814R2
PCB1	C435	VX C	CE04W25V-100M(VX_BLK)	1	397351017
PCB1	C436	VX C	CE04W25V-100M(VX_BLK)	1	397351017
PCB1	C437	VX C	CE04W25V-100M(VX_BLK)	1	397351017
PCB1	C438	VX C	CE04W25V-100M(VX_BLK)	1	397351017
PCB1	C505	VX C	CE04W25V-47M(VX_BLK)	1	397354707
PCB1	C506	VX C	CE04W25V-47M(VX_BLK)	1	397354707
PCB1	C507	VX C	CE04W35V-33M(VX_BLK)	1	397363307
PCB1	C508	VX C	CE04W35V-33M(VX_BLK)	1	397363307
PCB1	C509	VX C	CE04W63V-47M(VX_BLK)	1	397374707
PCB1	C510	VX C	CE04W63V-47M(VX_BLK)	1	397374707
PCB1	C511	VX C	CE04W16V 100M(VX_BLK)	1	397341017
PCB1	C512	VX C	CE04W16V 100M(VX_BLK)	1	397341017
PCB1	C517	ELECT C	CE69W65V-12000M	1	3504438
PCB1	C518	ELECT C	CE69W65V-12000M	1	3504438
PCB1	C519	TF C	ECQ-V100-334J	1	374733344
PCB1	C520	TF C	ECQ-V100-334J	1	374733344
PCB1	C521	TF C	ECQ-V100-334J	1	374733344
PCB1	C522	TF C	ECQ-V100-334J	1	374733344
PCB1	C523	TF C	ECQ-V50V-334J	1	374723344
PCB1	C524	TF C	ECQ-V50V-334J	1	374723344
PCB1	C525	VX C	CE04W25V-3300M(VX_BLK)	1	397353327S
PCB1	C527	VX C	CE04W16V 47M(VX_BLK)	1	397344707
PCB1	C531	C-CERA C	CK725X7R2E-334K5	1	332213345R1
PCB1	C532	C-CERA C	CK725X7R2E-334K5	1	332213345R1
PCB1	C535	VX C	CE04W16V 100M(VX_BLK)	1	397341017
PCB1	C536	VX C	CE04W16V 100M(VX_BLK)	1	397341017
PCB1	C537	VX C	CE04W16V 330M(VX_BLK)	1	397343317
PCB1	C538	VX C	CE04W16V 330M(VX_BLK)	1	397343317
PCB1	C539	PLA C	ECQE250V-334J	1	3700083S
PCB1	C540	PLA C	ECQE250V-334J	1	3700083S
PCB1	C541	C-CERA C	CK725F1H-224Z1	1	332152240R1
PCB1	C542	C-CERA C	CK725F1H-224Z1	1	332152240R1
PCB1	C543	PLA C	ECQE250V-153J	1	3700077S
PCB1	C544	PLA C	ECQE250V-153J	1	3700077S
PCB1	C545	PLA C	ECQE250V-563J	1	3700085S
PCB1	C546	PLA C	ECQE250V-563J	1	3700085S
PCB1	C547	PLA C	ECQE250V-104K	1	3700081
PCB1	C548	PLA C	ECQE250V-104K	1	3700081
PCB1	C549	TF C	ECQ-B50V-102J	1	374721024
PCB1	C550	TF C	ECQ-B50V-102J	1	374721024
PCB1	C553	C-CERA C	CK725F1H-224Z1	1	332152240R1
PCB1	C554	C-CERA C	CK725F1H-224Z1	1	332152240R1
PCB1	C555	C-CERA C	CK725R2J-471K3	1	332194715R1

PCB1	C556	C-CERA C	CK725R2J-471K3	1	332194715R1
PCB1	C561	C-CERA C	CC725CH1H-101J1	1	342101014R1
PCB1	C562	C-CERA C	CC725CH1H-101J1	1	342101014R1
PCB1	C563	C-CERA C	CC725CH1H-101J1	1	342101014R1
PCB1	C564	C-CERA C	CC725CH1H-101J1	1	342101014R1
PCB1	C565	C-CERA C	CK725R2J-471K3	1	332194715R1
PCB1	C566	C-CERA C	CK725R2J-471K3	1	332194715R1
PCB1	C571	VX C	CE04W35V-47M(VX_BLK)	1	397364707
PCB1	C572	VX C	CE04W35V-47M(VX_BLK)	1	397364707
PCB1	C581	C-FILM C	ECHU50V-101J	1	373021014R2
PCB1	C582	C-FILM C	ECHU50V-101J	1	373021014R2
PCB1	C583	C-FILM C	ECHU50V-101J	1	373021014R2
PCB1	C584	C-FILM C	ECHU50V-101J	1	373021014R2
PCB1	C585	C-FILM C	ECHU50V-331J	1	373023314R2
PCB1	C586	C-FILM C	ECHU50V-331J	1	373023314R2
PCB1	C589	TF C	ECQ-V50V-104J	1	374721044
PCB1	C590	TF C	ECQ-V50V-104J	1	374721044
PCB1	C595	TF C	ECQ-B50V-102J	1	374721024
PCB1	C596	TF C	ECQ-B50V-102J	1	374721024
PCB1	C601	C-CERA C	CK725F1H-103Z1	1	332151030R1
PCB1	C602	C-CERA C	CK725F1H-103Z1	1	332151030R1
PCB1	C603	C-CERA C	CK725F1H-103Z1	1	332151030R1
PCB1	C604	C-CERA C	CK725F1H-103Z1	1	332151030R1
PCB1	C605	C-CERA C	CK725F1H-104Z1	1	332151040R1
PCB1	C606	C-CERA C	CK725F1H-104Z1	1	332151040R1
PCB1	C607	VX C	CE04W16V 100M(VX_BLK)	1	397341017
PCB1	C608	C-CERA C	CK725F1H-224Z1	1	332152240R1
PCB1	C610	VX C	CE04W50V-1M(VX_BLK)	1	397380107
PCB1	C611	C-CERA C	CK725F1H-223Z1	1	332152230R1
PCB1	C614	VX C	CE04W50V-4.7M(VX_BLK)	1	397380477
PCB1	C615	C-CERA C	CK725F1H-104Z1	1	332151040R1
PCB1	C621	TF C	ECQ-V50V-104J	1	374721044
PCB1	C622	TF C	ECQ-V50V-104J	1	374721044
PCB1	C679	C-CERA C	CK725F1H-104Z1	1	332151040R1
PCB1	C680	C-CERA C	CK725F1H-104Z1	1	332151040R1
PCB1	C881	TF C	ECQ-B50V-102J	1	374721024
PCB1	C882	TF C	ECQ-B50V-102J	1	374721024
PCB1	C883	TF C	ECQ-V50V-104J	1	374721044
PCB1	C884	TF C	ECQ-V50V-104J	1	374721044
PCB1	C951	TF C	ECQ-V50V-334J	1	374723344
PCB1	C952	TF C	ECQ-V50V-334J	1	374723344
PCB1	C953	VX C	CE04W50V-2200M(VX_BLK)	1	397382227S
PCB1	C954	VX C	CE04W50V-2200M(VX_BLK)	1	397382227S
PCB1	C955	VX C	CE04W25V-47M(VX_BLK)	1	397354707
PCB1	C956	VX C	CE04W25V-47M(VX_BLK)	1	397354707
PCB1	C957	VX C	CE04W35V-100M(VX_BLK)	1	397361017
PCB1	C958	VX C	CE04W35V-100M(VX_BLK)	1	397361017
PCB1	C963	VX C	CE04W25V-47M(VX_BLK)	1	397354707
PCB1	C964	VX C	CE04W25V-47M(VX_BLK)	1	397354707
PCB1	C965	VX C	CE04W16V-220M(VX_BLK)	1	397342217
PCB1	C966	VX C	CE04W16V-220M(VX_BLK)	1	397342217

PCB1	C967	TFC	ECQ-V50V-334J	1	374723344
PCB1	C968	TFC	ECQ-V50V-334J	1	374723344
PCB1	C969	VXC	CE04W25V-2200M(VX_BLK)	1	397352227S
PCB1	C970	VXC	CE04W25V-220M(VX_BLK)	1	397352217
PCB1	C971	VXC	CE04W50V-100M(VX_BLK)	1	397381017
PCB1	C972	VXC	CE04W50V-10M(VX_BLK)	1	397381007
PCB1	C973	TFC	ECQ-V50V-334J	1	374723344
PCB1	C975	VXC	CE04W25V-220M(VX_BLK)	1	397352217
PCB1	C976	VXC	CE04W25V-220M(VX_BLK)	1	397352217
PCB1	R201	CARBON R	R16J-330	1	417343314
PCB1	R202	CARBON R	R16J-330	1	417343314
PCB1	R203	CARBON R	R16J-330	1	417343314
PCB1	R204	CARBON R	R16J-330	1	417343314
PCB1	R205	CARBON R	R16J-2.2K	1	417342224
PCB1	R206	CARBON R	R16J-2.2K	1	417342224
PCB1	R207	CARBON R	R16J-330	1	417343314
PCB1	R208	CARBON R	R16J-330	1	417343314
PCB1	R209	CARBON R	R16J-2.2K	1	417342224
PCB1	R210	CARBON R	R16J-2.2K	1	417342224
PCB1	R211	CARBON R	R16J-330	1	417343314
PCB1	R212	CARBON R	R16J-330	1	417343314
PCB1	R213	CARBON R	R16J-330	1	417343314
PCB1	R214	CARBON R	R16J-330	1	417343314
PCB1	R215	CARBON R	R16J-330	1	417343314
PCB1	R216	CARBON R	R16J-330	1	417343314
PCB1	R221	CARBON R	R16J-220K	1	417342244
PCB1	R222	CARBON R	R16J-220K	1	417342244
PCB1	R225	CARBON R	R16J-220K	1	417342244
PCB1	R226	CARBON R	R16J-220K	1	417342244
PCB1	R237	C-CARBON R	RN72K1J-470JE	1	435034704R1
PCB1	R238	C-CARBON R	RN72K1J-000JE	1	435030004R1
PCB1	R241	C-CARBON R	RN72K1J-101JE	1	435031014R1
PCB1	R242	C-CARBON R	RN72K1J-101JE	1	435031014R1
PCB1	R243	C-CARBON R	RN72K1J-101JE	1	435031014R1
PCB1	R245	CARBON R	R16J-220K	1	417342244
PCB1	R246	CARBON R	R16J-220K	1	417342244
PCB1	R303	CARBON R	R16J-4.7K	1	417344724
PCB1	R304	CARBON R	R16J-4.7K	1	417344724
PCB1	R305	CARBON R	R16J-4.7K	1	417344724
PCB1	R306	CARBON R	R16J-4.7K	1	417344724
PCB1	R309	CARBON R	R16J-1.2K	1	417341224
PCB1	R310	CARBON R	R16J-1.2K	1	417341224
PCB1	R311	CARBON R	R16J-10K	1	417341034
PCB1	R312	CARBON R	R16J-10K	1	417341034
PCB1	R313	CARBON R	R16J-10K	1	417341034
PCB1	R314	CARBON R	R16J-10K	1	417341034
PCB1	R315	CARBON R	R16J-10K	1	417341034
PCB1	R316	CARBON R	R16J-10K	1	417341034
PCB1	R317	CARBON R	R16J-3.9K	1	417343924
PCB1	R318	CARBON R	R16J-3.9K	1	417343924
PCB1	R319	VARI R	N14RGLC50KB25Z	1	5132523



PCB1	R320	VARI R	N14RGLC50KB25Z	1	5132523
PCB1	R323	CARBON R	R16J-1.5K	1	417341524
PCB1	R324	CARBON R	R16J-1.5K	1	417341524
PCB1	R325	CARBON R	R16J-470	1	417344714
PCB1	R326	CARBON R	R16J-470	1	417344714
PCB1	R327	CARBON R	R16J-220K	1	417342244
PCB1	R328	CARBON R	R16J-220K	1	417342244
PCB1	R331	METAL O R	RS1/2WBJ-22	1	443522204
PCB1	R332	METAL O R	RS1/2WBJ-22	1	443522204
PCB1	R339	CARBON R	R16J-100	1	417341014
PCB1	R340	CARBON R	R16J-100	1	417341014
PCB1	R341	CARBON R	R16J-220K	1	417342244
PCB1	R342	CARBON R	R16J-220K	1	417342244
PCB1	R343	CARBON R	R16J-1K	1	417341024
PCB1	R344	CARBON R	R16J-1K	1	417341024
PCB1	R345	CARBON R	R16J-470	1	417344714
PCB1	R346	CARBON R	R16J-470	1	417344714
PCB1	R347	CARBON R	R16J-220K	1	417342244
PCB1	R348	CARBON R	R16J-220K	1	417342244
PCB1	R349	CARBON R	R16J-470	1	417344714
PCB1	R350	CARBON R	R16J-470	1	417344714
PCB1	R351	CARBON R	R16J-220K	1	417342244
PCB1	R352	CARBON R	R16J-220K	1	417342244
PCB1	R353	C-CARBON R	RN72K1J-222JE	1	435032224R1
PCB1	R354	C-CARBON R	RN72K1J-222JE	1	435032224R1
PCB1	R355	C-CARBON R	RN72K1J-222JE	1	435032224R1
PCB1	R356	C-CARBON R	RN72K1J-222JE	1	435032224R1
PCB1	R357	C-CARBON R	RN72K1J-224JE	1	435032244R1
PCB1	R358	C-CARBON R	RN72K1J-224JE	1	435032244R1
PCB1	R359	CARBON R	R16J-2.2K	1	417342224
PCB1	R360	CARBON R	R16J-2.2K	1	417342224
PCB1	R361	CARBON R	R16J-220K	1	417342244
PCB1	R362	CARBON R	R16J-220K	1	417342244
PCB1	R363	CARBON R	R16J-220K	1	417342244
PCB1	R364	CARBON R	R16J-220K	1	417342244
PCB1	R365	CARBON R	R16J-10K	1	417341034
PCB1	R366	CARBON R	R16J-10K	1	417341034
PCB1	R367	CARBON R	R16J-1.5K	1	417341524
PCB1	R368	CARBON R	R16J-1.5K	1	417341524
PCB1	R369	CARBON R	R16J-47	1	417344704
PCB1	R370	CARBON R	R16J-47	1	417344704
PCB1	R371	CARBON R	R16J-220K	1	417342244
PCB1	R372	CARBON R	R16J-220K	1	417342244
PCB1	R373	C-CARBON R	RN72K1J-222JE	1	435032224R1
PCB1	R374	C-CARBON R	RN72K1J-222JE	1	435032224R1
PCB1	R375	C-CARBON R	RN72K1J-222JE	1	435032224R1
PCB1	R376	C-CARBON R	RN72K1J-222JE	1	435032224R1
PCB1	R377	METAL O R	RS1/2WBJ-22	1	443522204
PCB1	R378	METAL O R	RS1/2WBJ-22	1	443522204
PCB1	R379	METAL O R	RS1/2WBJ-22	1	443522204
PCB1	R380	METAL O R	RS1/2WBJ-22	1	443522204

PCB1	R381	C-CARBON R	RN72K1J-104JE	1	435031044R1
PCB1	R382	C-CARBON R	RN72K1J-104JE	1	435031044R1
PCB1	R401	CARBON R	R16J-2.2K	1	417342224
PCB1	R402	CARBON R	R16J-2.2K	1	417342224
PCB1	R403	CARBON R	R16J-220K	1	417342244
PCB1	R404	CARBON R	R16J-220K	1	417342244
PCB1	R405	CARBON R	R16J-56K	1	417345634
PCB1	R406	CARBON R	R16J-56K	1	417345634
PCB1	R407	C-CARBON R	RN72K1J-471FE	1	435034712R1
PCB1	R408	C-CARBON R	RN72K1J-471FE	1	435034712R1
PCB1	R409	C-CARBON R	RN72K1J-472FE	1	435034722R1
PCB1	R410	C-CARBON R	RN72K1J-472FE	1	435034722R1
PCB1	R411	C-CARBON R	RN72K1J-472FE	1	435034722R1
PCB1	R412	C-CARBON R	RN72K1J-472FE	1	435034722R1
PCB1	R413	CARBON R	R16J-390K	1	417343944
PCB1	R414	CARBON R	R16J-390K	1	417343944
PCB1	R415	CARBON R	R16J-8.2K	1	417348224
PCB1	R416	CARBON R	R16J-8.2K	1	417348224
PCB1	R417	C-CARBON R	RN72K1J-000JE	1	435030004R1
PCB1	R418	C-CARBON R	RN72K1J-000JE	1	435030004R1
PCB1	R419	CARBON R	R16J-2.2K	1	417342224
PCB1	R420	CARBON R	R16J-2.2K	1	417342224
PCB1	R421	CARBON R	R16J-47K	1	417344734
PCB1	R422	CARBON R	R16J-47K	1	417344734
PCB1	R423	C-CARBON R	RN72K1J-471FE	1	435034712R1
PCB1	R424	C-CARBON R	RN72K1J-471FE	1	435034712R1
PCB1	R427	TRIM R	N06HR100BC	1	5210359
PCB1	R428	TRIM R	N06HR100BC	1	5210359
PCB1	R429	C-CARBON R	RN72K1J-470JE	1	435034704R1
PCB1	R430	C-CARBON R	RN72K1J-470JE	1	435034704R1
PCB1	R431	C-CARBON R	RN72K1J-470JE	1	435034704R1
PCB1	R432	C-CARBON R	RN72K1J-470JE	1	435034704R1
PCB1	R433	C-CARBON R	RN72K1J-222JE	1	435032224R1
PCB1	R434	C-CARBON R	RN72K1J-222JE	1	435032224R1
PCB1	R435	C-CARBON R	RN72K1J-104JE	1	435031044R1
PCB1	R436	C-CARBON R	RN72K1J-104JE	1	435031044R1
PCB1	R437	C-CARBON R	RN72K1J-273JE	1	435032734R1
PCB1	R438	C-CARBON R	RN72K1J-273JE	1	435032734R1
PCB1	R439	C-CARBON R	RN72K1J-220JE	1	435032204R1
PCB1	R440	C-CARBON R	RN72K1J-330JE	1	435033304R1
PCB1	R441	C-CARBON R	RN72K1J-562JE	1	435035624R1
PCB1	R442	C-CARBON R	RN72K1J-562JE	1	435035624R1
PCB1	R443	C-CARBON R	RN72K1J-273JE	1	435032734R1
PCB1	R444	C-CARBON R	RN72K1J-273JE	1	435032734R1
PCB1	R445	C-CARBON R	RN72K1J-273JE	1	435032734R1
PCB1	R446	C-CARBON R	RN72K1J-273JE	1	435032734R1
PCB1	R449	C-CARBON R	RN72K1J-391JE	1	435033914R1
PCB1	R450	C-CARBON R	RN72K1J-391JE	1	435033914R1
PCB1	R451	C-CARBON R	RN72K1J-391JE	1	435033914R1
PCB1	R452	C-CARBON R	RN72K1J-391JE	1	435033914R1
PCB1	R453	C-CARBON R	RN72K1J-222JE	1	435032224R1

PCB1	R454	C-CARBON R	RN72K1J-222JE	1	435032224R1
PCB1	R455	C-CARBON R	RN72K1J-561JE	1	435035614R1
PCB1	R456	C-CARBON R	RN72K1J-561JE	1	435035614R1
PCB1	R457	C-CARBON R	RN72K1J-222JE	1	435032224R1
PCB1	R458	C-CARBON R	RN72K1J-222JE	1	435032224R1
PCB1	R459	C-CARBON R	RN72K1J-561JE	1	435035614R1
PCB1	R460	C-CARBON R	RN72K1J-561JE	1	435035614R1
PCB1	R465	C-CARBON R	RN72K1J-182JE	1	435031824R1
PCB1	R466	C-CARBON R	RN72K1J-182JE	1	435031824R1
PCB1	R467	C-CARBON R	RN72K1J-272JE	1	435032724R1
PCB1	R468	C-CARBON R	RN72K1J-272JE	1	435032724R1
PCB1	R469	C-CARBON R	RN72K1J-000JE	1	435030004R1
PCB1	R470	C-CARBON R	RN72K1J-000JE	1	435030004R1
PCB1	R471	C-CARBON R	RN72K1J-000JE	1	435030004R1
PCB1	R472	C-CARBON R	RN72K1J-000JE	1	435030004R1
PCB1	R481	C-CARBON R	RN72K1J-121FE (F class +1 / -1 %)	1	435031212R1
PCB1	R482	C-CARBON R	RN72K1J-121FE (F class +1 / -1 %)	1	435031212R1
PCB1	<Note>				
PCB1	Circuit No. : R481, 482 ---> Resistance tolerance : F class (+1 / -1 %)				
PCB1	R483	C-CARBON R	RN72K1J-102JE	1	435031024R1
PCB1	R484	C-CARBON R	RN72K1J-102JE	1	435031024R1
PCB1	R489	C-CARBON R	RN72K1J-123JE	1	435031234R1
PCB1	R490	C-CARBON R	RN72K1J-123JE	1	435031234R1
PCB1	R491	C-CARBON R	RN72K1J-222JE	1	435032224R1
PCB1	R492	C-CARBON R	RN72K1J-222JE	1	435032224R1
PCB1	R493	C-CARBON R	RN72K1J-122JE	1	435031224R1
PCB1	R494	C-CARBON R	RN72K1J-122JE	1	435031224R1
PCB1	R495	C-CARBON R	RN72K2E-221JE	1	435222214R1
PCB1	R496	C-CARBON R	RN72K2E-221JE	1	435222214R1
PCB1	R497	C-CARBON R	RN72K2E-221JE	1	435222214R1
PCB1	R498	C-CARBON R	RN72K2E-221JE	1	435222214R1
PCB1	R501	C-CARBON R	RN72K1J-561JE	1	435035614R1
PCB1	R502	C-CARBON R	RN72K1J-561JE	1	435035614R1
PCB1	R503	C-CARBON R	RN72K1J-821JE	1	435038214R1
PCB1	R504	C-CARBON R	RN72K1J-821JE	1	435038214R1
PCB1	R505	C-CARBON R	RN72K2E-047JE	1	435220474R1
PCB1	R506	C-CARBON R	RN72K2E-047JE	1	435220474R1
PCB1	R507	C-CARBON R	RN72K1J-152JE	1	435031524R1
PCB1	R508	C-CARBON R	RN72K1J-152JE	1	435031524R1
PCB1	R509	C-CARBON R	RN72K1J-152JE	1	435031524R1
PCB1	R510	C-CARBON R	RN72K1J-152JE	1	435031524R1
PCB1	R513	C-CARBON R	RN72K1J-331JE	1	435033314R1
PCB1	R514	C-CARBON R	RN72K1J-331JE	1	435033314R1
PCB1	R515	C-CARBON R	RN72K1J-331JE	1	435033314R1
PCB1	R516	C-CARBON R	RN72K1J-331JE	1	435033314R1
PCB1	R517	C-CARBON R	RN72K1J-151JE	1	435031514R1
PCB1	R518	C-CARBON R	RN72K1J-151JE	1	435031514R1
PCB1	R519	C-CARBON R	RN72K1J-151JE	1	435031514R1
PCB1	R520	C-CARBON R	RN72K1J-151JE	1	435031514R1
PCB1	R521	C-CARBON R	RN72K1J-100JE	1	435031004R1
PCB1	R522	C-CARBON R	RN72K1J-100JE	1	435031004R1

PCB1	R523	C-CARBON R	RN72K1J-100JE	1	435031004R1
PCB1	R524	C-CARBON R	RN72K1J-100JE	1	435031004R1
PCB1	R525	C-CARBON R	RN72K2E-068JE	1	435220684R1
PCB1	R526	C-CARBON R	RN72K2E-068JE	1	435220684R1
PCB1	R527	C-CARBON R	RN72K2E-033JE	1	435220334R1
PCB1	R528	C-CARBON R	RN72K2E-033JE	1	435220334R1
PCB1	R529	C-CARBON R	RN72K2E-068JE	1	435220684R1
PCB1	R530	C-CARBON R	RN72K2E-068JE	1	435220684R1
PCB1	R531	C-CARBON R	RN72K2E-033JE	1	435220334R1
PCB1	R532	C-CARBON R	RN72K2E-033JE	1	435220334R1
PCB1	R533	C-CARBON R	RN72K2E-150JE	1	435221504R1
PCB1	R534	C-CARBON R	RN72K2E-150JE	1	435221504R1
PCB1	R535	C-CARBON R	RN72K2E-068JE	1	435220684R1
PCB1	R536	C-CARBON R	RN72K2E-068JE	1	435220684R1
PCB1	R539	METAL P R	MPC78-2WK-0.1	1	4000145
PCB1	R540	METAL P R	MPC78-2WK-0.1	1	4000145
PCB1	R541	METAL P R	MPC78-2WK-0.1	1	4000145
PCB1	R542	METAL P R	MPC78-2WK-0.1	1	4000145
PCB1	R545	C-CARBON R	RN72K1J-104FE (F class +1 / -1 %	1	435031042R1
PCB1	R546	C-CARBON R	RN72K1J-104FE (F class +1 / -1 %	1	435031042R1
PCB1	R549	C-CARBON R	RN72K1J-104FE (F class +1 / -1 %	1	435031042R1
PCB1	R550	C-CARBON R	RN72K1J-104FE (F class +1 / -1 %	1	435031042R1
PCB1	<Note>				
PCB1	Circuit No. : R545, 546, 549, 550 ---> Resistance tolerance : F class (+1 / -1 %)				
PCB1	R551	C-CARBON R	RN72K3B-220JE	1	435422204R2
PCB1	R552	C-CARBON R	RN72K3B-220JE	1	435422204R2
PCB1	R557	METAL O R	RS2WBJ-820	1	442728214NF
PCB1	R558	METAL O R	RS2WBJ-1.5K	1	442721524NF
PCB1	R559	METAL R	RNU1/2WCJ-0.47	1	453534794
PCB1	R560	C-CARBON R	RN72K1J-682JE	1	435036824R1
PCB1	R561	C-CARBON R	RN72K1J-682JE	1	435036824R1
PCB1	R562	C-CARBON R	RN72K1J-152JE	1	435031524R1
PCB1	R563	C-CARBON R	RN72K1J-152JE	1	435031524R1
PCB1	R564	C-CARBON R	RN72K2E-221JE	1	435222214R1
PCB1	R565	C-CARBON R	RN72K2E-221JE	1	435222214R1
PCB1	R567	C-CARBON R	RN72K1J-101JE	1	435031014R1
PCB1	R568	C-CARBON R	RN72K1J-101JE	1	435031014R1
PCB1	R571	C-CARBON R	RN72K1J-330JE	1	435033304R1
PCB1	R572	C-CARBON R	RN72K1J-330JE	1	435033304R1
PCB1	R573	C-CARBON R	RN72K3A-180JE	1	435321804R2
PCB1	R574	C-CARBON R	RN72K3A-180JE	1	435321804R2
PCB1	R575	C-CARBON R	RN72K1J-473JE	1	435034734R1
PCB1	R576	C-CARBON R	RN72K1J-473JE	1	435034734R1
PCB1	R577	C-CARBON R	RN72K1J-564JE	1	435035644R1
PCB1	R578	C-CARBON R	RN72K1J-564JE	1	435035644R1
PCB1	R579	METAL O R	RS1WBJ-56	1	443625604
PCB1	R580	METAL O R	RS1WBJ-56	1	443625604
PCB1	R581	C-CARBON R	RN72K1J-392JE	1	435033924R1
PCB1	R582	C-CARBON R	RN72K1J-392JE	1	435033924R1
PCB1	R583	C-CARBON R	RN72K1J-392JE	1	435033924R1
PCB1	R584	C-CARBON R	RN72K1J-392JE	1	435033924R1

PCB1	R585	C-CARBON R	RN72K2E-222JE	1	435222224R1
PCB1	R586	C-CARBON R	RN72K2E-222JE	1	435222224R1
PCB1	R591	C-CARBON R	RN72K3A-150JE	1	435321504R2
PCB1	R592	C-CARBON R	RN72K3A-150JE	1	435321504R2
PCB1	R601	C-CARBON R	RN72K1J-333JE	1	435033334R1
PCB1	R602	C-CARBON R	RN72K1J-333JE	1	435033334R1
PCB1	R603	C-CARBON R	RN72K1J-153JE	1	435031534R1
PCB1	R604	C-CARBON R	RN72K1J-153JE	1	435031534R1
PCB1	R605	C-CARBON R	RN72K1J-563JE	1	435035634R1
PCB1	R606	C-CARBON R	RN72K1J-563JE	1	435035634R1
PCB1	R607	C-CARBON R	RN72K1J-333JE	1	435033334R1
PCB1	R608	C-CARBON R	RN72K1J-333JE	1	435033334R1
PCB1	R609	C-CARBON R	RN72K1J-153JE	1	435031534R1
PCB1	R610	C-CARBON R	RN72K1J-153JE	1	435031534R1
PCB1	R611	C-CARBON R	RN72K1J-473JE	1	435034734R1
PCB1	R612	C-CARBON R	RN72K1J-104JE	1	435031044R1
PCB1	R613	C-CARBON R	RN72K1J-562JE	1	435035624R1
PCB1	R614	C-CARBON R	RN72K1J-823JE	1	435038234R1
PCB1	R615	C-CARBON R	RN72K1J-823JE	1	435038234R1
PCB1	R616	C-CARBON R	RN72K1J-682JE	1	435036824R1
PCB1	R617	C-CARBON R	RN72K1J-562JE	1	435035624R1
PCB1	R618	C-CARBON R	RN72K1J-104JE	1	435031044R1
PCB1	R619	C-CARBON R	RN72K1J-473JE	1	435034734R1
PCB1	R620	C-CARBON R	RN72K1J-153JE	1	435031534R1
PCB1	R622	C-CARBON R	RN72K1J-471JE	1	435034714R1
PCB1	R623	THERMISTOR	PTH9M04BD222TS2F333	1	4000151
PCB1	R623A	SCREW	3TTB+8B(CU)SR	1	801618
PCB1	R625	C-CARBON R	RN72K1J-563JE	1	435035634R1
PCB1	R626	C-CARBON R	RN72K1J-563JE	1	435035634R1
PCB1	R627	C-CARBON R	RN72K1J-103JE	1	435031034R1
PCB1	R628	C-CARBON R	RN72K1J-683JE	1	435036834R1
PCB1	R629	C-CARBON R	RN72K1J-123JE	1	435031234R1
PCB1	R630	C-CARBON R	RN72K1J-222JE	1	435032224R1
PCB1	R631	C-CARBON R	RN72K1J-103JE	1	435031034R1
PCB1	R632	C-CARBON R	RN72K1J-222JE	1	435032224R1
PCB1	R633	C-CARBON R	RN72K1J-103JE	1	435031034R1
PCB1	R634	C-CARBON R	RN72K1J-222JE	1	435032224R1
PCB1	R635	C-CARBON R	RN72K1J-222JE	1	435032224R1
PCB1	R636	C-CARBON R	RN72K1J-473JE	1	435034734R1
PCB1	R637	C-CARBON R	RN72K1J-683JE	1	435036834R1
PCB1	R638	C-CARBON R	RN72K1J-562JE	1	435035624R1
PCB1	R639	C-CARBON R	RN72K1J-822JE	1	435038224R1
PCB1	R640	C-CARBON R	RN72K1J-104JE	1	435031044R1
PCB1	R641	C-CARBON R	RN72K1J-224JE	1	435032244R1
PCB1	R642	C-CARBON R	RN72K1J-224JE	1	435032244R1
PCB1	R643	C-CARBON R	RN72K1J-104JE	1	435031044R1
PCB1	R644	C-CARBON R	RN72K1J-683JE	1	435036834R1
PCB1	R645	C-CARBON R	RN72K1J-000JE	1	435030004R1
PCB1	R646	C-CARBON R	RN72K1J-000JE	1	435030004R1
PCB1	R653	C-CARBON R	RN72K1J-153JE	1	435031534R1
PCB1	R654	C-CARBON R	RN72K1J-153JE	1	435031534R1

PCB1	R657	C-CARBON R	RN72K1J-153JE	1	435031534R1
PCB1	R658	C-CARBON R	RN72K1J-153JE	1	435031534R1
PCB1	R661	C-CARBON R	RN72K1J-561JE	1	435035614R1
PCB1	R662	C-CARBON R	RN72K1J-561JE	1	435035614R1
PCB1	R663	C-CARBON R	RN72K1J-561JE	1	435035614R1
PCB1	R664	C-CARBON R	RN72K1J-561JE	1	435035614R1
PCB1	R665	C-CARBON R	RN72K1J-101JE	1	435031014R1
PCB1	R666	C-CARBON R	RN72K1J-101JE	1	435031014R1
PCB1	R667	C-CARBON R	RN72K2E-223JE	1	435222234R1
PCB1	R668	C-CARBON R	RN72K2E-223JE	1	435222234R1
PCB1	R669	C-CARBON R	RN72K1J-822JE	1	435038224R1
PCB1	R670	C-CARBON R	RN72K1J-822JE	1	435038224R1
PCB1	R671	C-CARBON R	RN72K1J-222JE	1	435032224R1
PCB1	R672	C-CARBON R	RN72K1J-223JE	1	435032234R1
PCB1	R673	C-CARBON R	RN72K1J-391JE	1	435033914R1
PCB1	R679	C-CARBON R	RN72K1J-103JE	1	435031034R1
PCB1	R680	C-CARBON R	RN72K1J-103JE	1	435031034R1
PCB1	R691	C-CARBON R	RN72K1J-101JE	1	435031014R1
PCB1	R692	C-CARBON R	RN72K1J-101JE	1	435031014R1
PCB1	R693	C-CARBON R	RN72K1J-101JE	1	435031014R1
PCB1	R694	C-CARBON R	RN72K1J-101JE	1	435031014R1
PCB1	R695	C-CARBON R	RN72K2E-103JE	1	435221034R1
PCB1	R696	C-CARBON R	RN72K2E-103JE	1	435221034R1
PCB1	R697	C-CARBON R	RN72K2E-103JE	1	435221034R1
PCB1	R698	C-CARBON R	RN72K2E-103JE	1	435221034R1
PCB1	R951	METAL R	RNU1/2WCJ-0.47	1	453534794
PCB1	R952	METAL R	RNU1/2WCJ-0.47	1	453534794
PCB1	R955	C-CARBON R	RN72K1J-222JE	1	435032224R1
PCB1	R956	C-CARBON R	RN72K1J-222JE	1	435032224R1
PCB1	R957	C-CARBON R	RN72K1J-331JE	1	435033314R1
PCB1	R958	C-CARBON R	RN72K1J-331JE	1	435033314R1
PCB1	R961	METAL O R	RS1/2WBJ-56	1	443525604
PCB1	R962	METAL O R	RS1/2WBJ-56	1	443525604
PCB1	R963	C-CARBON R	RN72K1J-182JE	1	435031824R1
PCB1	R964	C-CARBON R	RN72K1J-182JE	1	435031824R1
PCB1	R965	C-CARBON R	RN72K1J-471JE	1	435034714R1
PCB1	R966	C-CARBON R	RN72K1J-471JE	1	435034714R1
PCB1	R967	METAL R	RNU1/2WCJ-2.2	1	453530224
PCB1	R968	METAL O R	RS1/2WBJ-22	1	443522204
PCB1	RL341	RELAY	NRL-2P2A-DC12-178	1	25065664
PCB1	RL501	RELAY	NRL-2P5A-DC12-187	1	25065685
PCB1	RL502	RELAY	NRL-2P5A-DC12-187	1	25065685
PCB1	RL503	RELAY	NRL-2P2A-DC12-178	1	25065664
PCB1	RL504	RELAY	NRL-2P2A-DC12-178	1	25065664
PCB1	P102B	SOCKET	09JL-BT-E	1	25053105
PCB1	P201	PIN JACK	NPJ-6PDWWRRR561	1	25045779
PCB1	P202	PIN JACK	NPJ-6PDWWRRR561	1	25045779
PCB1	P203	PIN JACK	NPJ-4PDWWRR624	1	25045845
PCB1	P204	JACK	HSJ1003-01-020	1	25045172
PCB1	P205	PLUG	NPLG-3P84	1	25055100
PCB1	P209	PLUG	NPLG-11P125	1	25055141

PCB1	P209A	SOCKET AS	NSAS-22P1552	1	2009990975UL	
PCB1	P211	PLUG	NPLG-2P149	1	25055165	
PCB1	P212A	SOCKET	NSCT-20P2217	1	25052320	
PCB1	P213	TRM(SCREW)	NEGITANSI M3	1	25065425	
PCB1	P215	PVC	#18 1015BLACKL=130mm	1	---	NSP
PCB1	P216	PVC	#18 1015 BLACKL=90mm	1	---	NSP
PCB1	P501	TRM	NTM-4PDMN380	1	25060451	
PCB1	P502	TRM	NTM-4PDMN379	1	25060450	
PCB1	P503	PLUG	NPLG-2P149	1	25055165	
PCB1	P504	PLUG	NPLG-2P149	1	25055165	
PCB1	P505	PLUG	NPLG-2P149	1	25055165	
PCB1	P506	PVC	PVUL600V016/42L=50	1	---	NSP
PCB1	P507	PVC	#18 1015 BlackL=60mm	1	---	NSP
PCB1	P531	RETAINER	(BUS-1)	1	27142000	
PCB1	P532	RETAINER	(BUS-2)	1	27142001B	
PCB1	P533	RETAINER	BUS-3	1	27141977	
PCB1	P534	RETAINER	BUS-3	1	27141977	
PCB1	P535	RETAINER	BUS-3	1	27141977	
PCB1	P536	RETAINER	BUS-3	1	27141977	
PCB1	P601	PLUG	NPLG-2P29	1	25055038	
PCB1	P602	PLUG	NPLG-2P29	1	25055038	
PCB1	P881	JACK	YKB22-5153G	1	25045467	
PCB1	P882	CRIMP AS	CRIMP AS	1	2061943081UL	
PCB1	P951	BUS BAR	BBL25	1	27141866	
PCB1	E101B	TRM	NTM-1P232(M1700)	1	25060301	
PCB1	E901	TRM (SCREW)	TP00370-21	2	25065668	
PCB1	E901A	SCREW	3TTB+8B(CU)SR	1	801618	
PCB1	J301	JMP WIRE	TA050	1	---	NSP
PCB1	J302	JMP WIRE	TA050	1	---	NSP
PCB1	JL206	JUMPER LEAD	JL5 500 H	1	---	NSP
PCB1	JL206A	WIRE HOL	NSCT-5P896	1	25051109	
PCB1	JL206B	SOCKET	NSCT-5P97	1	25050269	
PCB1	JL210B	WIRE TRAP	NPLG-6P589	1	25055627	
PCB2	<b>U05</b>	<b>MICROPROCESSOR PC BOARD (NADIS-8709-1F/ 1G/ 1H/ 1J/ 1K)</b>				
PCB2	<b>U06</b>	<b>PHONO EQUALIZER PC BOARD (NAAF-8711-1F/ 1G/ 1H/ 1J/ 1K)</b>				
PCB2	<b>U07</b>	<b>VOLUME PC BOARD (NADIS-8712-1F/ 1G/ 1H/ 1J/ 1K)</b>				
PCB2	<b>U08</b>	<b>VOLUME LED PC BOARD (NAETC-8713-1F/ 1G/ 1H/ 1J/ 1K)</b>				
PCB2	<b>U09</b>	<b>POWER SUPPLY PC BOARD (NAPS-8714-1F/ 1G/ 1H/ 1J/ 1K)</b>				
PCB2	<b>U11</b>	<b>POWER SWITCH PC BOARD (NAETC-8716-1F/ 1G/ 1H/ 1J/ 1K)</b>				
PCB2	<b>U12</b>	<b>SPEAKER SELECTOR PC BOARD (NAETC-8718-1F/ 1G/ 1H/ 1J/ 1K)</b>				
PCB2	<b>U13</b>	<b>STANDBY LED PC BOARD (NAETC-8719-1F/ 1G/ 1H/ 1J/ 1K)</b>				
PCB2						
PCB2	<b>CIRCUIT NO.</b>	<b>NAME</b>	<b>DESCRIPTION</b>	<b>Q'TY</b>	<b>PART NO.</b>	<b>REMARKS</b>
PCB2	U801	REMO SENS	GPIUM281XKVFH=16MM	1	241361	
PCB2	Q801	IC	MPC780023AGC-176-8BS-A	1	22242290R3	
PCB2	Q802	IC	S-812C56AUA-C3K	1	22242207R2	
PCB2	Q815	IC	TA7291SG(5_J)	1	22240239	
PCB2	Q907	IC	S-80127CNMC-JKM-T2	1	22241642R2	
PCB2	Q101	TR	2SC2240-BL(TPE2_F)	1	2211406	
PCB2	Q102	TR	2SC2240-BL(TPE2_F)	1	2211406	

PCB2	Q103	TR	2SC1845-E	1	2211733
PCB2	Q104	TR	2SC1845-E	1	2211733
PCB2	Q105	TR	2SA992-E	1	2211793
PCB2	Q106	TR	2SA992-E	1	2211793
PCB2	Q107	TR	2SA992-E	1	2211793
PCB2	Q108	TR	2SA992-E	1	2211793
PCB2	Q109	TR	2SC1845-E	1	2211733
PCB2	Q110	TR	2SC1845-E	1	2211733
PCB2	Q111	TR	2SC2235-Y(TPE6_F)	1	2211654
PCB2	Q112	TR	2SC2235-Y(TPE6_F)	1	2211654
PCB2	Q113	TR	2SA965-Y(TPE6_F)	1	2211644
PCB2	Q114	TR	2SA965-Y(TPE6_F)	1	2211644
PCB2	Q115	TR	2SC2240-BL(TPE2_F)	1	2211406
PCB2	Q116	TR	2SC2240-BL(TPE2_F)	1	2211406
PCB2	Q804	TR	RN1402	1	2214470R2
PCB2	Q805	TR	RN1402	1	2214470R2
PCB2	Q806	TR	RN1402	1	2214470R2
PCB2	Q807	TR	RN1402	1	2214470R2
PCB2	Q808	TR	RN1402	1	2214470R2
PCB2	Q809	TR	RN1402	1	2214470R2
PCB2	Q810	TR	RN1402	1	2214470R2
PCB2	Q811	TR	RN1402	1	2214470R2
PCB2	Q812	TR	RN1402	1	2214470R2
PCB2	Q813	TR	RN1404	1	2214490R2
PCB2	Q814	TR	RN2402	1	2214530R2
PCB2	Q816	TR	2SC2712-GR	1	2213145R2
PCB2	Q821	TR	RN2402	1	2214530R2
PCB2	Q822	TR	RN1407	1	2216260R2
PCB2	Q901	TR	RN1404	1	2214490R2
PCB2	Q902	TR	2SC1740S-R	1	2213284
PCB2	D101	ZENER D	DZ-5.6BSB	1	224850562
PCB2	D102	ZENER D	DZ-5.6BSB	1	224850562
PCB2	D103	DIODE	1SS133	1	223163
PCB2	D103 or	DIODE	WG713A	(1)	223222
PCB2	D104	DIODE	1SS133	1	223163
PCB2	D104 or	DIODE	WG713A	(1)	223222
PCB2	D105	DIODE	1SS133	1	223163
PCB2	D105 or	DIODE	WG713A	(1)	223222
PCB2	D106	DIODE	1SS133	1	223163
PCB2	D106 or	DIODE	WG713A	(1)	223222
PCB2	D107	DIODE	1SS133	1	223163
PCB2	D107 or	DIODE	WG713A	(1)	223222
PCB2	D108	DIODE	1SS133	1	223163
PCB2	D108 or	DIODE	WG713A	(1)	223222
PCB2	D109	DIODE	1SS133	1	223163
PCB2	D109 or	DIODE	WG713A	(1)	223222
PCB2	D110	DIODE	1SS133	1	223163
PCB2	D110 or	DIODE	WG713A	(1)	223222
PCB2	D111	DIODE	1SS133	1	223163
PCB2	D111 or	DIODE	WG713A	(1)	223222
PCB2	D112	DIODE	1SS133	1	223163



PCB2	D112 or	DIODE	WG713A	(1)	223222	
PCB2	D781	LED	SEL6910A-D	1	225324D	
PCB2	D801	C-DIODE	1SS352	1	223234R2	
PCB2	D802	C-DIODE	1SS352	1	223234R2	
PCB2	D803	C-DIODE	1SS352	1	223234R2	
PCB2	D804	C-DIODE	1SS352	1	223234R2	
PCB2	D805	LED	SELU2610C-S-TP1	1	225435	
PCB2	D807	LED	SEL2910A-TP6	1	225390	
PCB2	D808	LED	SEL2910A-TP6	1	225390	
PCB2	D809	LED	SEL2910A-TP6	1	225390	
PCB2	D810	LED	SEL2910A-TP6	1	225390	
PCB2	D811	LED	SEL2910A-TP6	1	225390	
PCB2	D812	LED	SEL2910A-TP6	1	225390	
PCB2	D813	LED	SEL2910A-TP6	1	225390	
PCB2	D814	LED	SEL2910A-TP6	1	225390	
PCB2	D815	LED	SEL2910A-TP6	1	225390	
PCB2	D816	C-DIODE	1SS352	1	223234R2	
PCB2	D817	C-DIODE	1SS352	1	223234R2	
PCB2	D818	ZENER D	UDZS5.6B	1	224550560R2	
PCB2	D821	C-DIODE	1SR154-400	1	22380284R2	
PCB2	D822	ZENER D	UDZS5.1B	1	224550510R2	
PCB2	D823	ZENER D	UDZS5.1B	1	224550510R2	
PCB2	D901	C-DIODE	1SS352	1	223234R2	
PCB2	D904	DIODE	RL1N4003	1	22380260	
PCB2	D906	DIODE	RL1N4003	1	22380260	
PCB2	D908	C-DIODE	S1NB60-4062	1	22380318R2	
PCB2	D909	ZENER D	UDZS5.1B	1	224550510R2	
PCB2	D910	C-DIODE	1SS352	1	223234R2	
PCB2	D911	C-DIODE	1SS352	1	223234R2	
PCB2	X801	CERA LOCK	CSTLS4M00G56-A0	1	3010411	
PCB2	T901	P TRANS	NPT-1520JQ	1	2301812	!, <DC>
PCB2	T901	P TRANS	NPT-1519GQ	1	2301811	!, <PP>
PCB2	T901	P TRANS	NPT-1519GQ	1	2301811	!, <GT, GR>
PCB2	T901	P TRANS	NPT-1519JQ	1	2301810	!, <DT>
PCB2	L801	CHOKO COIL	NCH-1479	1	231237K470R2	
PCB2	L901	CHOKO COIL	NCH-3646	1	231349S	!
PCB2	L902	CHOKO COIL	NCH-3645	1	231348S	!
PCB2	C101	TF C	ECQ-B50V-101K	1	374721015	
PCB2	C102	TF C	ECQ-B50V-101K	1	374721015	
PCB2	C103	VX C	CE04W50V-47M(VX_BLK)	1	397384707	
PCB2	C104	VX C	CE04W50V-47M(VX_BLK)	1	397384707	
PCB2	C107	VX C	CE04W50V-22M(VX_BLK)	1	397382207	
PCB2	C108	VX C	CE04W50V-22M(VX_BLK)	1	397382207	
PCB2	C109	VX C	CE04W25V-470M(VX_BLK)	1	397354717	
PCB2	C110	VX C	CE04W25V-470M(VX_BLK)	1	397354717	
PCB2	C111	TF C	ECQ-B50V-562J	1	374725624	
PCB2	C112	TF C	ECQ-B50V-562J	1	374725624	
PCB2	C113	TF C	ECQ-B50V-222J	1	374722224	
PCB2	C114	TF C	ECQ-B50V-222J	1	374722224	
PCB2	C115	VX C	CE04W50V-22M(VX_BLK)	1	397382207	
PCB2	C116	VX C	CE04W50V-22M(VX_BLK)	1	397382207	

PCB2	C117	VX C	CE04W50V-22M(VX_BLK)	1	397382207	
PCB2	C118	VX C	CE04W50V-22M(VX_BLK)	1	397382207	
PCB2	C121	TF C	ECQ-B50V-222J	1	374722224	
PCB2	C122	TF C	ECQ-B50V-222J	1	374722224	
PCB2	C123	VX C	CE04W50V-22M(VX_BLK)	1	397382207	
PCB2	C124	VX C	CE04W50V-22M(VX_BLK)	1	397382207	
PCB2	C125	VX C	CE04W50V-220M(VX_BLK)	1	397382217	
PCB2	C126	VX C	CE04W50V-220M(VX_BLK)	1	397382217	
PCB2	C127	VX C	CE04W50V-220M(VX_BLK)	1	397382217	
PCB2	C128	VX C	CE04W50V-220M(VX_BLK)	1	397382217	
PCB2	C781	C-CERA C	CK725F1H-223Z1	1	332152230R1	
PCB2	C782	C-CERA C	CK725F1H-223Z1	1	332152230R1	
PCB2	C783	C-CERA C	CK725F1H-223Z1	1	332152230R1	
PCB2	C784	C-CERA C	CK725F1H-223Z1	1	332152230R1	
PCB2	C801	ELECT C	CE04W16V-100M	1	355741019	
PCB2	C802	C-CERA C	CK725F1E-104Z1	1	332161040R1	
PCB2	C803	ELECT C	CE04W16V-10M	1	355741009	
PCB2	C804	ELECT C	CE04W6.3V-100M	1	355721019	
PCB2	C805	EDL C	FMC0H104Z	1	3000120	
PCB2	C806	ELECT C	CE04W6.3V-330M	1	355723319	
PCB2	C807	ELECT C	CE04W6.3V-330M	1	355723319	
PCB2	C808	C-CERA C	CK725F1E-104Z1	1	332161040R1	
PCB2	C809	C-CERA C	CK725F1E-104Z1	1	332161040R1	
PCB2	C810	C-CERA C	CK725F1E-104Z1	1	332161040R1	
PCB2	C811	C-CERA C	CK725F1E-104Z1	1	332161040R1	
PCB2	C812	ELECT C	CE04W50V-1M	1	355780109	
PCB2	C813	C-CERA C	CK725F1E-104Z1	1	332161040R1	
PCB2	C814	C-CERA C	CK725F1E-104Z1	1	332161040R1	
PCB2	C815	ELECT C	CE04W6.3V-100M	1	355721019	
PCB2	C816	C-CERA C	CK725F1E-104Z1	1	332161040R1	
PCB2	C817	ELECT C	CE04W6.3V-100M	1	355721019	
PCB2	C819	C-CERA C	CC725CH1H-101J1	1	342101014R1	
PCB2	C901	IS C	MKP R46 224M	1	3800040S	!
PCB2	C902	IS C	MKP R46 224M	1	3800040S	!
PCB2	C903	IS C	MKP R46 224M	1	3800040S	!
PCB2	C904	TF C	ECQ-V50V-104J	1	374721044	
PCB2	C906	IS C	DE1310E472M-KH	1	3300054	!
PCB2	C908	IS C	DE1310E472M-KH	1	3300054	!
PCB2	C911	IS C	RE275V-103M	1	3500196S	!
PCB2	C913	VX C	CE04W16V-3300M(VX_BLK)	1	397343327S	
PCB2	C916	TF C	ECQ-B50V-223J	1	374722234	
PCB2	C917	TF C	ECQ-B50V-102J	1	374721024	
PCB2	C918	TF C	ECQ-V50V-104J	1	374721044	
PCB2	C919	TF C	ECQ-V50V-104J	1	374721044	
PCB2	C920	VX C	CE04W50V-2.2M(VX_BLK)	1	397380227	
PCB2	R101	CARBON R	R16J-1K	1	417341024	
PCB2	R102	CARBON R	R16J-1K	1	417341024	
PCB2	R103	CARBON R	R16J-56K	1	417345634	
PCB2	R104	CARBON R	R16J-56K	1	417345634	
PCB2	R105	CARBON R	R16J-220K	1	417342244	
PCB2	R106	CARBON R	R16J-220K	1	417342244	

PCB2	R107	METAL O R	RS1/2WBJ-4.7K	1	443524724
PCB2	R108	METAL O R	RS1/2WBJ-4.7K	1	443524724
PCB2	R109	CARBON R	R16J-3.3K	1	417343324
PCB2	R110	CARBON R	R16J-3.3K	1	417343324
PCB2	R111	CARBON R	R16J-3.3K	1	417343324
PCB2	R112	CARBON R	R16J-3.3K	1	417343324
PCB2	R113	CARBON R	R16J-220	1	417342214
PCB2	R114	CARBON R	R16J-220	1	417342214
PCB2	R115	CARBON R	R16J-220	1	417342214
PCB2	R116	CARBON R	R16J-220	1	417342214
PCB2	R117	CARBON R	R16J-22K	1	417342234
PCB2	R118	CARBON R	R16J-22K	1	417342234
PCB2	R119	CARBON R	R16J-6.8K	1	417346824
PCB2	R120	CARBON R	R16J-6.8K	1	417346824
PCB2	R121	CARBON R	R16J-2.2K	1	417342224
PCB2	R122	CARBON R	R16J-2.2K	1	417342224
PCB2	R123	CARBON R	R16J-820	1	417348214TTYS
PCB2	R124	CARBON R	R16J-820	1	417348214TTYS
PCB2	R125	CARBON R	R16J-820	1	417348214TTYS
PCB2	R126	CARBON R	R16J-820	1	417348214TTYS
PCB2	R127	METAL R	RNU1/4WCF-751	1	4500318
PCB2	R128	METAL R	RNU1/4WCF-751	1	4500318
PCB2	R131	CARBON R	R16J-560K	1	417345644
PCB2	R132	CARBON R	R16J-560K	1	417345644
PCB2	R133	CARBON R	R16J-39K	1	417343934
PCB2	R134	CARBON R	R16J-39K	1	417343934
PCB2	R135	CARBON R	R16J-1.2K	1	417341224
PCB2	R136	CARBON R	R16J-1.2K	1	417341224
PCB2	R137	CARBON R	R16J-820	1	417348214TTYS
PCB2	R138	CARBON R	R16J-820	1	417348214TTYS
PCB2	R139	CARBON R	R16J-820	1	417348214TTYS
PCB2	R140	CARBON R	R16J-820	1	417348214TTYS
PCB2	R141	CARBON R	R16J-120	1	417341214
PCB2	R142	CARBON R	R16J-120	1	417341214
PCB2	R143	CARBON R	R16J-120	1	417341214
PCB2	R144	CARBON R	R16J-120	1	417341214
PCB2	R145	CARBON R	R16J-1K	1	417341024
PCB2	R146	CARBON R	R16J-1K	1	417341024
PCB2	R151	METAL O R	RS1/2WBJ-22	1	443522204
PCB2	R152	METAL O R	RS1/2WBJ-22	1	443522204
PCB2	R153	METAL O R	RS1/2WBJ-22	1	443522204
PCB2	R154	METAL O R	RS1/2WBJ-22	1	443522204
PCB2	R157	CARBON R	R16J-470K	1	417344744
PCB2	R158	CARBON R	R16J-470K	1	417344744
PCB2	R781	VARI R	N16RGL20KB25M	1	5142522
PCB2	R782	C-CARBON R	RN72K1J-474JE	1	435034744R1
PCB2	R783	C-CARBON R	RN72K1J-102JE	1	435031024R1
PCB2	R801	C-CARBON R	RN72K1J-102JE	1	435031024R1
PCB2	R802	C-CARBON R	RN72K1J-224JE	1	435032244R1
PCB2	R803	C-CARBON R	RN72K1J-224JE	1	435032244R1
PCB2	R804	C-CARBON R	RN72K1J-332JE	1	435033324R1

PCB2	R806	C-CARBON R	RN72K1J-151JE	1	435031514R1
PCB2	R807	C-CARBON R	RN72K1J-151JE	1	435031514R1
PCB2	R808	C-CARBON R	RN72K1J-151JE	1	435031514R1
PCB2	R809	C-CARBON R	RN72K1J-151JE	1	435031514R1
PCB2	R810	C-CARBON R	RN72K1J-151JE	1	435031514R1
PCB2	R811	C-CARBON R	RN72K1J-151JE	1	435031514R1
PCB2	R812	C-CARBON R	RN72K1J-151JE	1	435031514R1
PCB2	R813	C-CARBON R	RN72K1J-151JE	1	435031514R1
PCB2	R814	C-CARBON R	RN72K1J-151JE	1	435031514R1
PCB2	R815	C-CARBON R	RN72K1J-102JE	1	435031024R1
PCB2	R816	C-CARBON R	RN72K1J-102JE	1	435031024R1
PCB2	R817	C-CARBON R	RN72K1J-103JE	1	435031034R1
PCB2	R818	C-CARBON R	RN72K1J-103JE	1	435031034R1
PCB2	R819	C-CARBON R	RN72K1J-102JE	1	435031024R1
PCB2	R820	C-CARBON R	RN72K1J-102JE	1	435031024R1
PCB2	R821	C-CARBON R	RN72K1J-221JE	1	435032214R1
PCB2	R822	C-CARBON R	RN72K1J-470JE	1	435034704R1
PCB2	R823	C-CARBON R	RN72K1J-470JE	1	435034704R1
PCB2	R824	C-CARBON R	RN72K1J-470JE	1	435034704R1
PCB2	R825	C-CARBON R	RN72K1J-221JE	1	435032214R1
PCB2	R826	C-CARBON R	RN72K1J-221JE	1	435032214R1
PCB2	R827	C-CARBON R	RN72K1J-470JE	1	435034704R1
PCB2	R828	C-CARBON R	RN72K1J-102JE	1	435031024R1
PCB2	R829	C-CARBON R	RN72K1J-102JE	1	435031024R1
PCB2	R830	C-CARBON R	RN72K1J-102JE	1	435031024R1
PCB2	R831	C-CARBON R	RN72K1J-333JE	1	435033334R1
PCB2	R832	C-CARBON R	RN72K1J-332JE	1	435033324R1
PCB2	R833	C-CARBON R	RN72K1J-333JE	1	435033334R1
PCB2	R834	C-CARBON R	RN72K1J-272JE	1	435032724R1
PCB2	R835	C-CARBON R	RN72K1J-272JE	1	435032724R1
PCB2	R836	C-CARBON R	RN72K1J-272JE	1	435032724R1
PCB2	R838	C-CARBON R	RN72K1J-391JE	1	435033914R1
PCB2	R839	C-CARBON R	RN72K1J-473JE	1	435034734R1
PCB2	R840	C-CARBON R	RN72K1J-000JE	1	435030004R1
PCB2	R841	C-CARBON R	RN72K1J-183JE	1	435031834R1
PCB2	R842	C-CARBON R	RN72K1J-682JE	1	435036824R1
PCB2	R843	C-CARBON R	RN72K1J-332JE	1	435033324R1
PCB2	R844	C-CARBON R	RN72K1J-182JE	1	435031824R1
PCB2	R845	C-CARBON R	RN72K1J-122JE	1	435031224R1
PCB2	R846	C-CARBON R	RN72K1J-102JE	1	435031024R1
PCB2	R847	C-CARBON R	RN72K1J-681JE	1	435036814R1
PCB2	R848	C-CARBON R	RN72K1J-561JE	1	435035614R1
PCB2	R849	C-CARBON R	RN72K1J-471JE	1	435034714R1
PCB2	R850	C-CARBON R	RN72K1J-331JE	1	435033314R1
PCB2	R851	C-CARBON R	RN72K1J-271JE	1	435032714R1
PCB2	R852	C-CARBON R	RN72K1J-220JE	1	435032204R1
PCB2	R853	C-CARBON R	RN72K1J-473JE	1	435034734R1
PCB2	R854	C-CARBON R	RN72K1J-221JE	1	435032214R1
PCB2	R855	C-CARBON R	RN72K1J-103JE	1	435031034R1
PCB2	R856	C-CARBON R	RN72K1J-224JE	1	435032244R1
PCB2	R857	C-CARBON R	RN72K1J-102JE	1	435031024R1

PCB2	R858	C-CARBON R	RN72K1J-102JE	1	435031024R1	
PCB2	R859	C-CARBON R	RN72K1J-102JE	1	435031024R1	
PCB2	R860	C-CARBON R	RN72K1J-221JE	1	435032214R1	
PCB2	R861	C-CARBON R	RN72K1J-221JE	1	435032214R1	
PCB2	R862	C-CARBON R	RN72K1J-103JE	1	435031034R1	
PCB2	R863	C-CARBON R	RN72K1J-103JE	1	435031034R1	
PCB2	R864	C-CARBON R	RN72K1J-102JE	1	435031024R1	
PCB2	R865	C-CARBON R	RN72K1J-221JE	1	435032214R1	
PCB2	R866	C-CARBON R	RN72K1J-221JE	1	435032214R1	
PCB2	R867	C-CARBON R	RN72K1J-103JE	1	435031034R1	
PCB2	R868	C-CARBON R	RN72K1J-103JE	1	435031034R1	
PCB2	R870	C-CARBON R	RN72K1J-102JE	1	435031024R1	
PCB2	R871	C-CARBON R	RN72K1J-103JE	1	435031034R1	
PCB2	R872	C-CARBON R	RN72K1J-151JE	1	435031514R1	
PCB2	R873	C-CARBON R	RN72K1J-103JE	1	435031034R1	
PCB2	R875	C-CARBON R	RN72K1J-391JE	1	435033914R1	
PCB2	R876	C-CARBON R	RN72K1J-471JE	1	435034714R1	
PCB2	R877	C-CARBON R	RN72K1J-821JE	1	435038214R1	
PCB2	R878	C-CARBON R	RN72K1J-102JE	1	435031024R1	
PCB2	R881	METAL O R	RS1/2WBJ-120	1	443521214	
PCB2	R883	C-CARBON R	RN72K1J-103JE	1	435031034R1	
PCB2	R885	C-CARBON R	RN72K1J-000JE	1	435030004R1	
PCB2	R886	C-CARBON R	RN72K1J-000JE	1	435030004R1	
PCB2	R891	C-CARBON R	RN72K1J-000JE	1	435030004R1	
PCB2	R892	C-CARBON R	RN72K1J-000JE	1	435030004R1	
PCB2	R893	C-CARBON R	RN72K1J-000JE	1	435030004R1	
PCB2	R894	C-CARBON R	RN72K1J-000JE	1	435030004R1	
PCB2	R906	METAL R	RNU1/2WCJ-2.2	1	453530224	
PCB2	R907	C-CARBON R	RN72K1J-103JE	1	435031034R1	
PCB2	R909	METAL O R	RS1/2WBJ-22	1	443522204	
PCB2	R910	METAL R	RNU1/2WCJ-0.47	1	453534794	
PCB2	R913	METAL R	RNU1/2WCJ-0.47	1	453534794	
PCB2	R916	C-CARBON R	RN72K1J-183JE	1	435031834R1	
PCB2	R917	C-CARBON R	RN72K1J-333JE	1	435033334R1	
PCB2	R918	C-CARBON R	RN72K1J-273JE	1	435032734R1	
PCB2	RL901	RELAY	NRL-1P5A-DC9-185	1	25065680	!
PCB2	S801	ROT SW	NRSF-114-25SRB	1	25030425	
PCB2	S802	ROT SW	NRSF-112-20SRM	1	25030424	
PCB2	S804	PUSH SW	NPS-111-S681	1	25035718	
PCB2	S805	PUSH SW	NPS-111-S681	1	25035718	
PCB2	S901	P SW	NPS-111-L512P	1	25035550	!
PCB2	P101	PIN JACK	NPJ-2PDR446	1	25045641	
PCB2	P102A	PLUG	S9B-JL-F-E	1	25056584	
PCB2	P103	CLAMP	HL-18-0	1	27301394	
PCB2	P212B	SOCKET	NSCT-20P2254	1	25052357	
PCB2	P782A	SOCKET AS	NSAS-4P0894	1	2002A390410	
PCB2	P782B	PLUG	NPLG-2P349	1	25055366	
PCB2	P802	SOCKET AS	NSAS-4P0545	1	2009990408	
PCB2	P803	SOCKET AS	NSAS-6P0795	1	200EE390615	
PCB2	P811	HOLDER	(CRAMP) UA-0 V0	1	27190608-1	
PCB2	P901	SOCKET AS	NSAS-2P0903	1	2009990649UL	!

PCB2	P901C	PLUG	NPLG-2P632	1	25055676	!
PCB2	P903	CRIMP AS	CRIMP AS	1	206CC45159UL	!
PCB2	P904	CRIMP AS	CRIMP AS	1	206CC45150UL	!
PCB2	P907	AC INLET	NPLG-2P913	1	25055960	!
PCB2	P911	PLUG	NPLG-2P631	1	25055675	!
PCB2	E101A	TRM	NTM-1P233(M1969)	1	25060302	
PCB2	E905	TRM(SCREW)	NEGITANSI M3	1	25065425	
PCB2	F901A	FUSE HOL	NSCT-1P2031	1	25052133	!
PCB2	F901B	FUSE HOL	NSCT-1P2031	1	25052133	!
PCB2	JL210	JUMPER LEAD	JL6 450 B	1	---	NSP
PCB2	JL210A	WIRE HOL	NSCT-6P877	1	25051090	
PCB2	JL781	JUMPER LEAD	JL6 100 B(7-7)	1	---	NSP
PCB2	JL781A	WIRE HOL	NSCT-6P877	1	25051090	
PCB2	JL781B	WIRE TRAP	NPLG-6P589	1	25055627	
PCB2	JL901	JUMPER LEAD	JL5 400 B	1	---	NSP
PCB2	JL901A	WIRE HOL	NSCT-5P876	1	25051089	
PCB2	JL901B	WIRE TRAP	NPLG-5P588	1	25055626	

A-9555

## PACKING PROCEDURES PARTS LIST

	REF. NO.	NAME	DESCRIPTION	Q'TY	PART NO.	REMARKS
PV	A090	SHEET	---	1	29095847	
PV	A091	POLY BAG	POLY BAG(850 x 650)	1	29100034-1A	
PV	A092	PAD	(AS)	1	29092287A	
PV	A095	TAPE	NITTO NO.29	(1)	29110149	
PV	A096	TAPE	NITTO 3703 W50L100	(1)	29110176	
PV	A096 or	PP TAPE	W48 OPP TAPE	(1)	29110148	
PV	A098	POLY BAG	350 x 250	1	29100097-1A	
PV	A101	SHEET	(CORNER)	2	29096004	
PV	A702	UPC LABEL	---	1	29364650	(B), <DC>
PV	A702	EAN LABEL	---	1	29364251	(B), <PP>
PV	A702	UPC LABEL	---	1	29364649	(S), <DC>
PV	A702	EAN LABEL	---	1	29364250	(S), <PP>
PV	A702	EAN LABEL	---	1	29364252	(G), <GT, GR>
PV	A702	EAN LABEL	---	1	29364252	(G), <DT>
PV	A710	LABEL	(UDC)	2	29363243-1	<DC>
PV	A751	REMO CON	RC-627S	1	24140627	
EV	P912	AC CORD	AS-UC-2	1	253297KAW	!, <DC, DT>
EV	P912	AC CORD	AS-CEE-3	1	253298KAW	!, <PP, GT>
EV	P912	AC CORD	AS-CCC	1	253358VOL	!, <GR>
PV	A752	BATTERY	R6/AA(UM-3)	2	3010054	
PV	A752 or	BATTERY	R6/AA(UM-3)	(2)	3010194	
PV	A801	CARTON	---	1	29054438	(B)
PV	A801	CARTON	---	1	29054437	(S)
PV	A801	CARTON	---	1	29054439	(G), <GT, DT>
PV	A801	CARTON	---	1	29054440	(G), <GR>
PV	A805	WRNTY CARD	(ONKYO)	1	29365102A	<DC>
PV	A805	WRNTY CARD	(ONKYO-CH)	1	29365098B	<GR>
PV	A806	HANDBILL	(DS-A1)	1	29380140	<DC>
PV	A806	HANDBILL	(DS-A1)EU	1	29380141	<PP>

PV	A952	INS MANUAL	En(A-9755)	1	29344108A	
PV	A953	INS MANUAL	U3FrEsIt(A-9755)	1	29344109A	<DC, PP>
PV	A954	INS MANUAL	U3DeNiSv(A-9755)	1	29344110	<PP>
PV	A955	INS MANUAL	Cs(A-9755)	1	29344112	<GR>
PV	A956	INS MANUAL	Ct(A-9755)	1	29344111	<GT, DT>
PV	A961	INST SHEET	U10(A-9755)	1	29355548	
PV	A962	INST SHEET	U7(D-AMP TUN)	1	29355523	<PP>
PV	A963	INST SHEET	WEEE	1	29355537	<PP>

**ONKYO CORPORATION**

Sales & Product Planning Div. : 2-1, Nisshin-cho, Neyagawa-shi, OSAKA 572-8540, JAPAN  
Tel: 072-831-8023 Fax: 072-831-8124

**ONKYO U.S.A. CORPORATION**

18 Park Way, Upper Saddle River, N.J. 07458, U.S.A.  
Tel: 201-785-2600 Fax: 201-785-2650 <http://www.us.onkyo.com/>

**ONKYO EUROPE ELECTRONICS GmbH**

Liegnitzerstrasse 6, 82194 Groebenzell, GERMANY  
Tel: +49-8142-4401-0 Fax: +49-8142-4401-555 <http://www.eu.onkyo.com/>

**ONKYO EUROPE UK Office**

Suite 1, Gregories Court, Gregories Road, Beaconsfield, Buckinghamshire, HP9 1HQ  
UNITED KINGDOM Tel: +44-(0)1494-681515 Fax: +44(0)-1494-680452

**ONKYO CHINA LIMITED**

Units 2102-2107, Metroplaza Tower I, 223 Hing Fong Road, Kwai Chung,  
N.T., HONG KONG Tel: 852-2429-3118 Fax: 852-2428-9039  
<http://www.ch.onkyo.com/>

