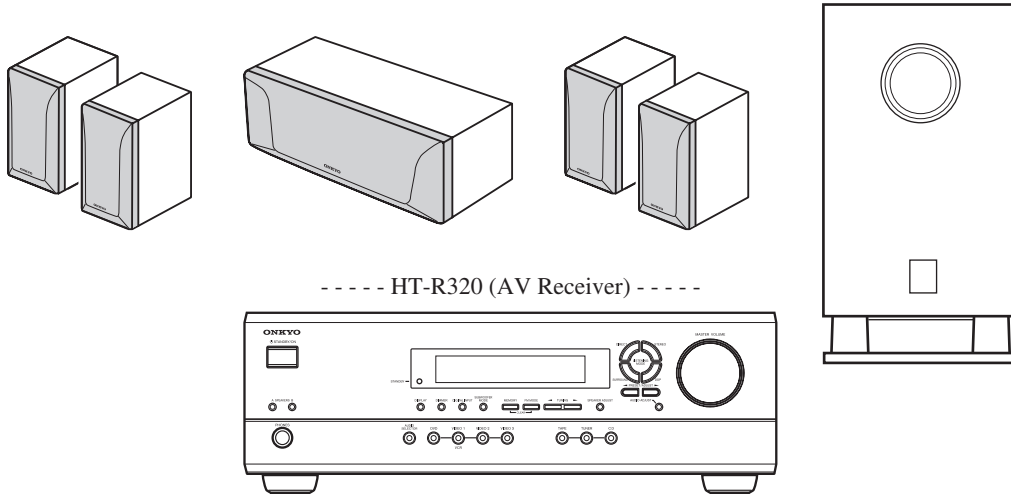


ONKYO SERVICE MANUAL

5.1-CH HOME THEATER SYSTEM MODEL HT-S570(S)


----- HTP-320 (5.1-channel speaker package) -----



Silver model

SMDD	120 V AC, 60 Hz
------	-----------------

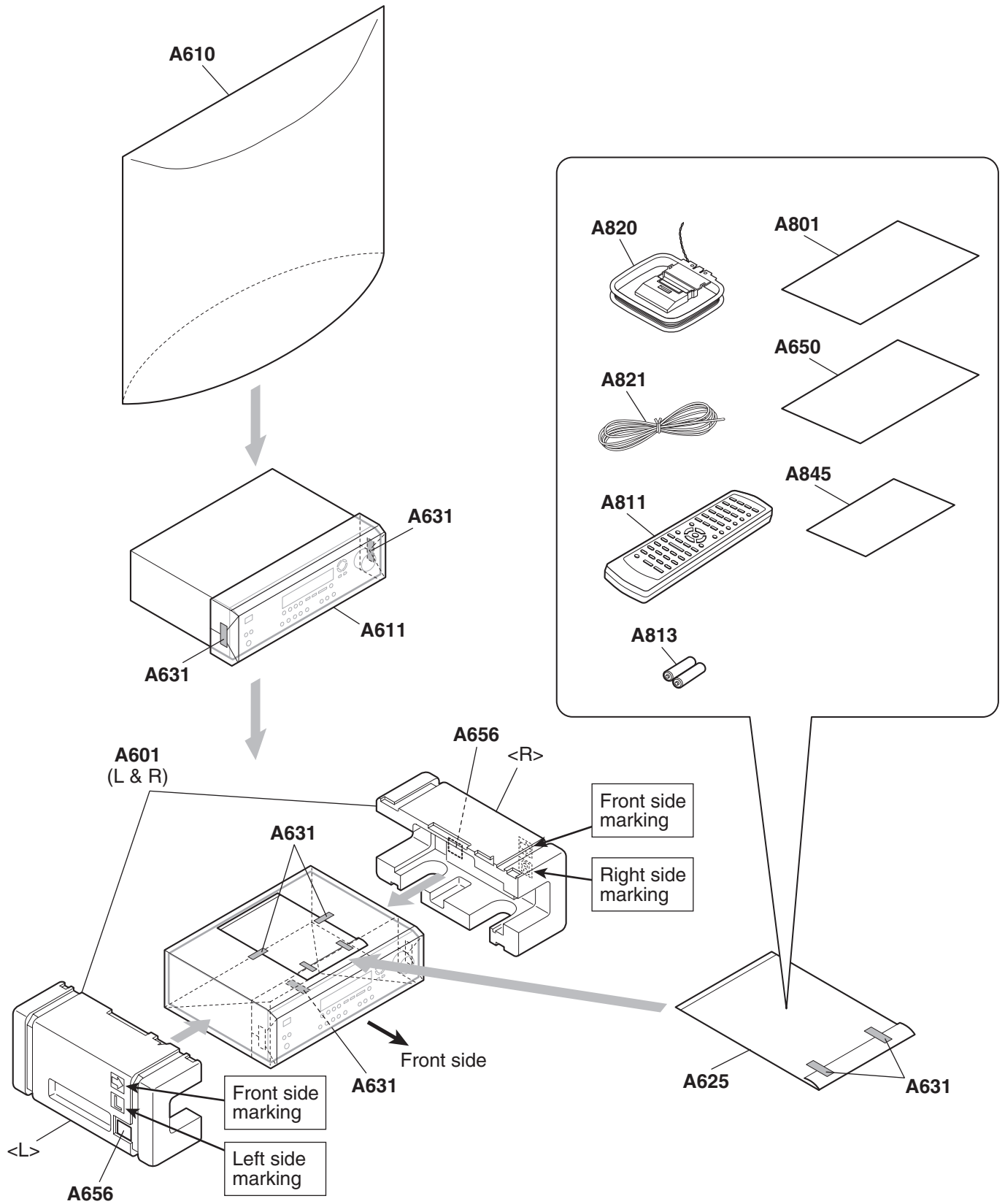
SAFETY-RELATED COMPONENT WARNING!!

COMPONENTS IDENTIFIED BY MARK  ON THE SCHEMATIC DIAGRAM AND IN THE PARTS LIST ARE CRITICAL FOR RISK OF FIRE AND ELECTRIC SHOCK. REPLACE THESE COMPONENTS WITH ONKYO PARTS WHOSE PART NUMBERS APPEAR AS SHOWN IN THIS MANUAL.

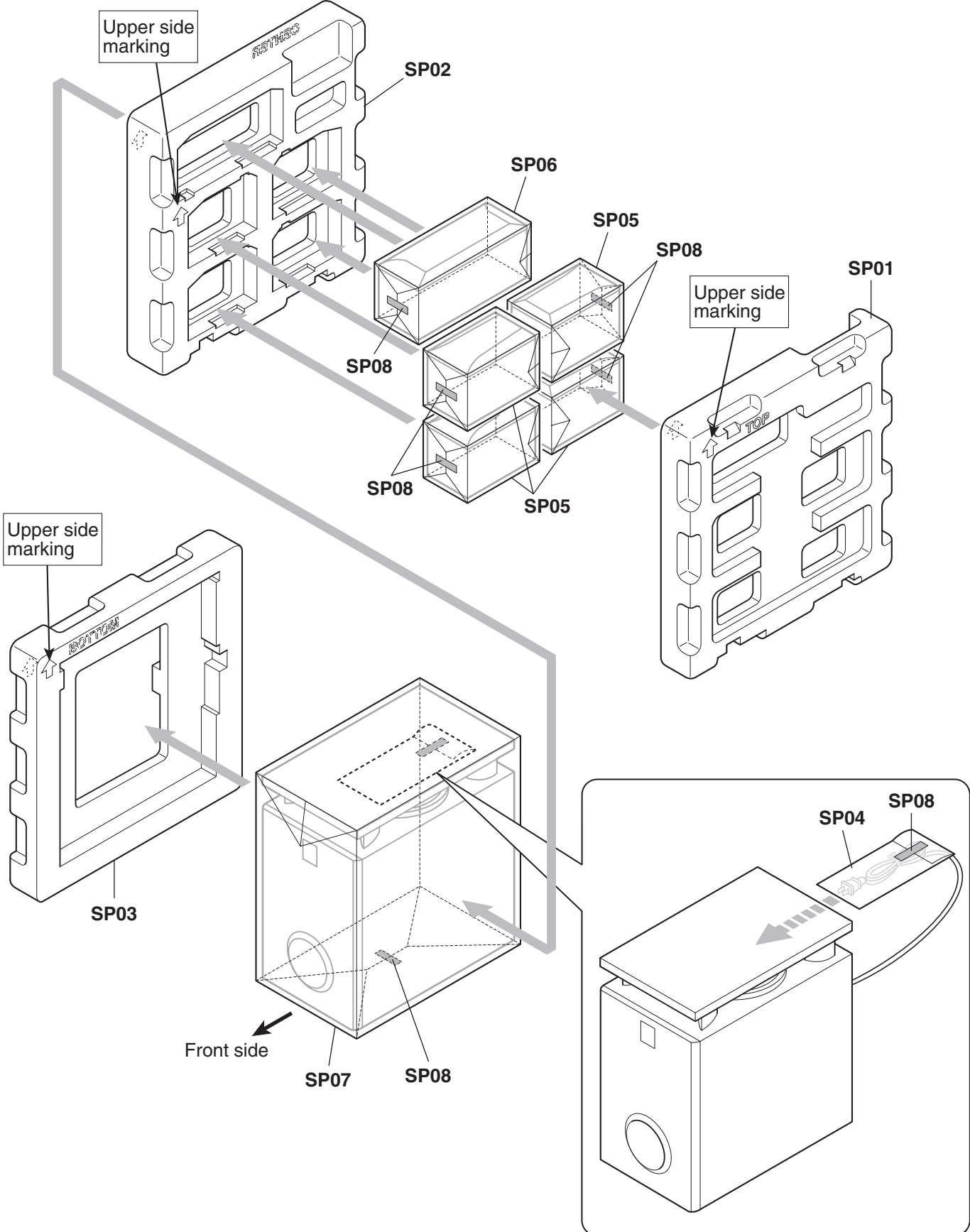
MAKE LEAKAGE-CURRENT OR RESISTANCE MEASUREMENTS TO DETERMINE THAT EXPOSED PARTS ARE ACCEPTABLY INSULATED FROM THE SUPPLY CIRCUIT BEFORE RETURNING THE APPLIANCE TO THE CUSTOMER.

PACKING PROCEDURES-1

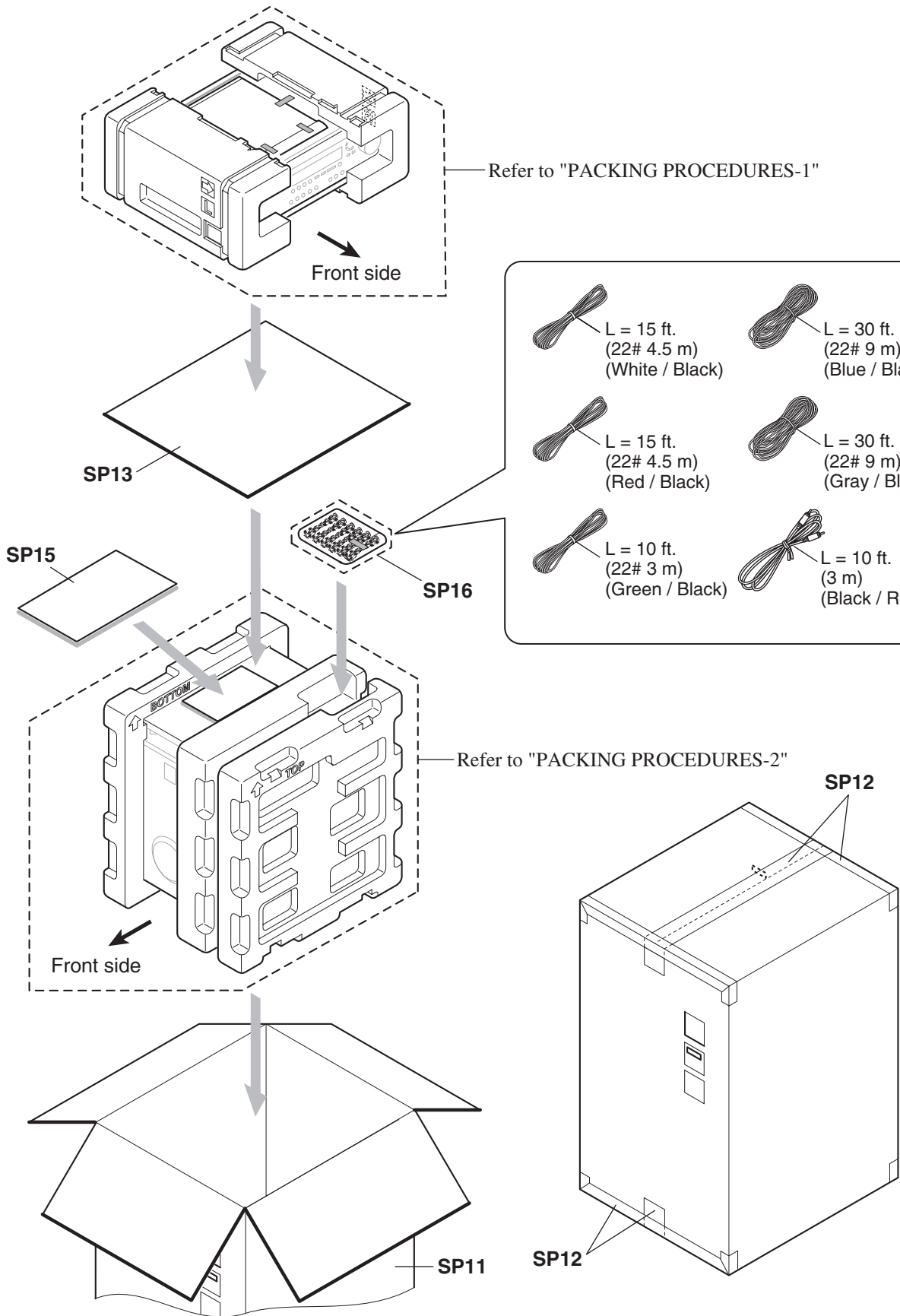
RECEIVER SECTION



PACKING PROCEDURES-2 SPEAKERS SECTION



PACKING PROCEDURES-3



PACKING PROCEDURES PARTS LIST**RECEIVER SECTION (HT-R320)**

	REF. NO.	PART NAME	DESCRIPTION	Q'TY	PART NO. (SN)	MARK
PACKING	A601	PAD	(L & R)	1	29092222	
PACKING	A610	POLY BAG	POLY BAG (850 x 650)	1	29100034-1A	
PACKING	A611	SHEET	---	1	29095906	
PACKING	A631	TAPE	NITTO NO.29 (Yellow)	(1)	29110149	
PACKING	A625	POLY BAG	350 x 250	1	29100097-1A	
PACKING	A650	SHEET	(SETUP)	1	29095981	
PACKING	A656	LABEL	(DES), 2sheets	1	29364004	
PACKING	A801	INS MANUAL	En (HT-R320)	1	29343901	
PACKING	A811	REMO CON	RC-479S	1	24140479	
PACKING	A813	BATTERY	R6/AA (UM-3)	2	3010054	
PACKING	A820	ANT COIL	NMA-3057	1	232140	
PACKING	A821	FM ANT AS	D	1	292142	
PACKING	A845	WRNTY CARD	(ONKYO)	1	29365090B	

<Note>

Parts marked by "NSP" are generally unavailable because they are not in our Master Spare Parts List.

SPEAKERS SECTION (HTP-320)

	REF. NO.	PART NAME	DESCRIPTION	Q'TY	PART NO. (SN)	MARK
PACKING	SP01	TOP POLYFOAM	W509 x H522 x T75	1	ITF830340-0001	
PACKING	SP02	MIDDLE POLYFOAM	W509 x H522 x T90	1	ITF830340-0002	
PACKING	SP03	BOTTOM POLYFOAM	W509 x H522 x T75	1	ITF830340-0003	
PACKING	SP04	POLY BAG (SOFT BAG)	(FOR AC CORD)	1	---	NSP
PACKING	SP05	PO BAG (HM BAG)	L320 x W240 x T0.015 (FOR SKF / SKM)	4	IWA803102-0010	
PACKING	SP06	PO BAG (HM BAG)	L400 x W240 x T0.015 (FOR SKC)	1	IWA803102-0011	
PACKING	SP07	PO BAG (HM BAG)	L860 x W650 x T0.015 (FOR SKW)	1	IWA803101-0022	
PACKING	SP08	TAPE	(SEROHAN) NITTO NO.29 (Yellow)	(1)	29110149	
PACKING	SP11	CARTON BOX	HT-S570 (S) / (HTP-320)	1	ICC8S570S-BM10	
PACKING	SP12	PP TAPE	W50	(1)	29110071 or	
PACKING	SP12	PP TAPE	NITTO 3703 SUPER W50L100	(1)	29110176	
PACKING	SP13	MIRAMAT SHEET	L509 x W439 x T0.5	1	IVH802004-0023	
PACKING	SP15	INSTRUCTION MANUAL En	ENGLISH 8 PAGE	1	YOM800001-0238	
PACKING	SP16	CABLE SET	SP CABLE / RCA CABLE / POLY BAG	1	WMA8020010009	

ONKYO CORPORATION

Sales & Product Planning Div. : 2-1, Nisshin-cho, Neyagawa-shi, OSAKA 572-8540, JAPAN
Tel: 072-831-8023 Fax: 072-831-8124

ONKYO U.S.A. CORPORATION

18 Park Way, Upper Saddle River, N.J. 07458, U.S.A.
Tel: 201-785-2600 Fax: 201-785-2650 <http://www.onkyousa.com>

ONKYO EUROPE ELECTRONICS GmbH

Liegnitzerstrasse 6, 82194 Groebenzell, GERMANY
Tel: +49-8142-4401-0 Fax: +49-8142-4401-555 <http://www.onkyo.net>

ONKYO CHINA LIMITED

Units 2102-2107, Metroplaza Tower I, 223 Hing Fong Road, Kwai Chung,
N.T., HONG KONG Tel: 852-2429-3118 Fax: 852-2428-9039