

# ONKYO SERVICE MANUAL

## 5.1-CH HOME THEATER SYSTEM MODEL HT-S670(B)/(S)




----- HTP-420 (5.1-channel speaker package) -----  
 --- HT-R420 (AV Receiver) ---

### Black and Silver models

BMDD	120V AC, 60Hz	SMDD	120V AC, 60Hz
BMDC	120V AC, 60Hz	SMDC	120V AC, 60Hz
---	---	SMDT	120V AC, 60Hz
BMPA	230-240V AC, 50Hz	SMPA	230-240V AC, 50Hz
---	---	SMGT	220-230V AC, 50/60Hz
---	---	SMPT	230-240V AC, 50Hz

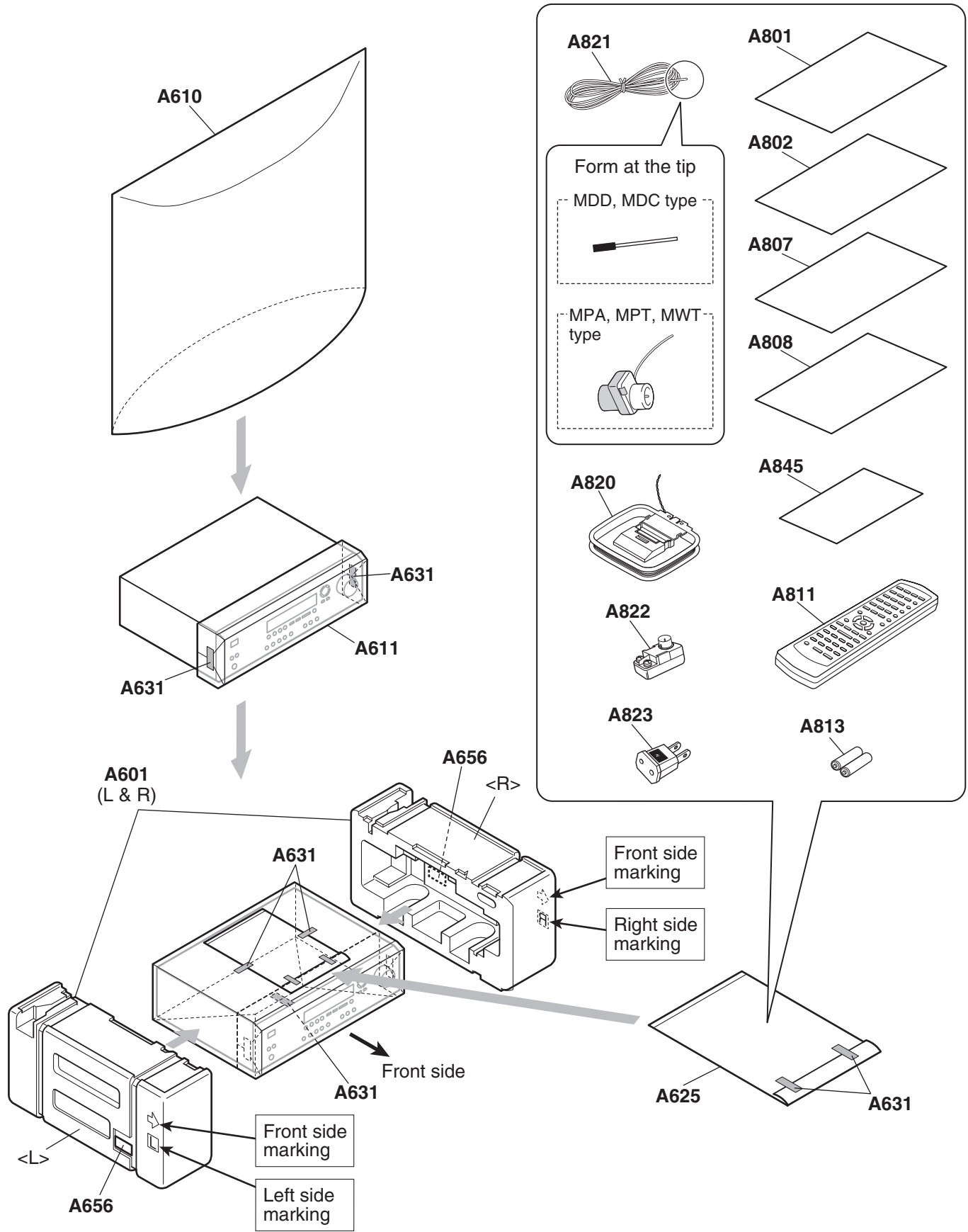
### SAFETY-RELATED COMPONENT WARNING!!

COMPONENTS IDENTIFIED BY MARK  ON THE SCHEMATIC DIAGRAM AND IN THE PARTS LIST ARE CRITICAL FOR RISK OF FIRE AND ELECTRIC SHOCK. REPLACE THESE COMPONENTS WITH ONKYO PARTS WHOSE PART NUMBERS APPEAR AS SHOWN IN THIS MANUAL.

MAKE LEAKAGE-CURRENT OR RESISTANCE MEASUREMENTS TO DETERMINE THAT EXPOSED PARTS ARE ACCEPTABLY INSULATED FROM THE SUPPLY CIRCUIT BEFORE RETURNING THE APPLIANCE TO THE CUSTOMER.

# PACKING PROCEDURES-1

## RECEIVER SECTION



A610

A821

A801

Form at the tip

MDD, MDC type

A802

MPA, MPT, MWT type

A807

A808

A631  
A611  
A631

A820

A845

A822

A811

A601 (L & R)

A656 <R>

Front side marking

Right side marking

A631

Front side

A631

Front side marking

Left side marking

A656 <L>

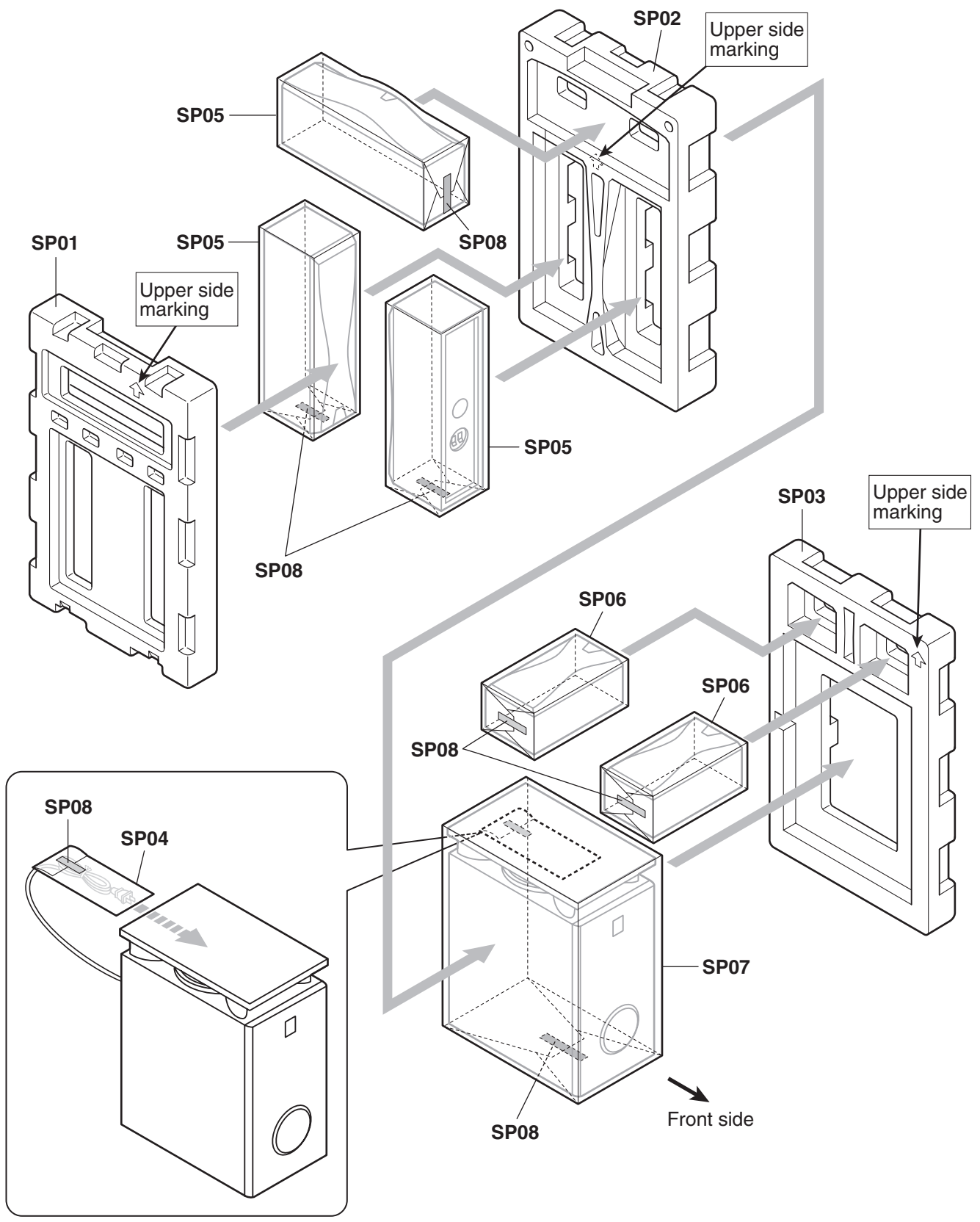
A823

A813

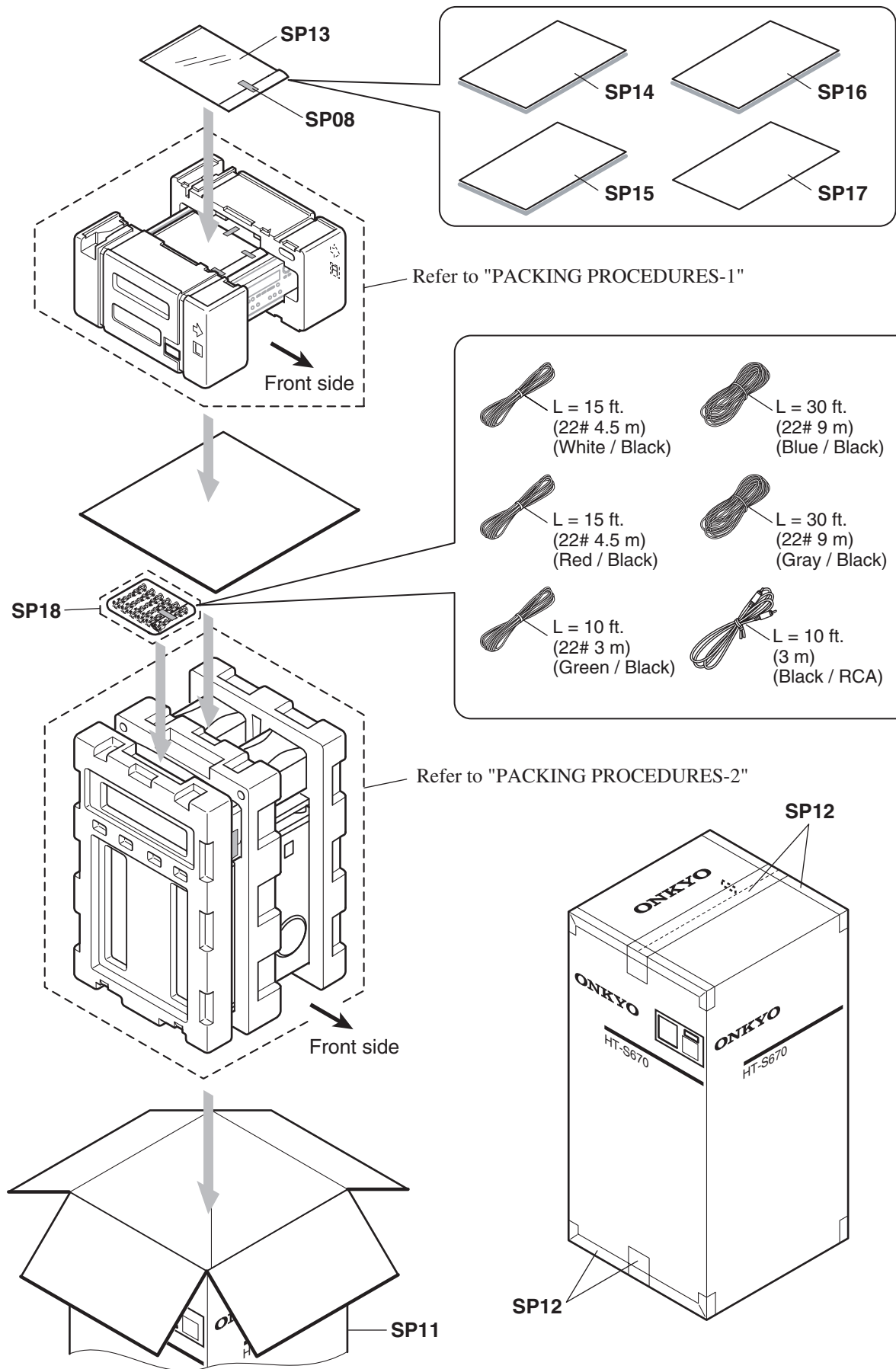
A625

A631

# PACKING PROCEDURES-2 SPEAKERS SECTION



### PACKING PROCEDURES-3



## PACKING PROCEDURES PARTS LIST

## &lt;Notes&gt;

"HT-R420"

(B) : Black model

(S) : Silver model

&lt;MDD&gt; : American model

&lt;MDC&gt; : Canadian model

&lt;MPA&gt; : Australian model

&lt;MPT&gt; : Asian model (230-240V)

&lt;MWT&gt; : World wide model

## RECEIVER SECTION

	REF. NO.	PART NAME	DESCRIPTION	Q'TY	PART NO. (SN)	MARK
PACKING	A601	PAD AS	(L & R)	1	29092139	
PACKING	A610	POLY BAG	POLY BAG (850 x 650)	1	29100034-1A	
PACKING	A611	SHEET	---	1	29095906	
PACKING	A625	POLY BAG	350 x 250	1	29100097-1A	
PACKING	A631	TAPE	(SEROHAN) NITTO NO.29 (Yellow)	(1)	29110149	
PACKING	A656	LABEL	(DES), 2 sheets	1	29363707	(B), <MDD>
PACKING	A656	LABEL	(DES), 2 sheets	1	29363709	(B), <MDC>
PACKING	A656	LABEL	(DES), 2 sheets	1	29363711	(B), <MPA>
PACKING	A656	LABEL	(DES), 2 sheets	1	29363708	(S), <MDD>
PACKING	A656	LABEL	(DES), 2 sheets	1	29363710	(S), <MDC>
PACKING	A656	LABEL	(DES), 2 sheets	1	29363712	(S), <MPA>
PACKING	A656	LABEL	(DES), 2 sheets	1	29363769	(S), <MPT>
PACKING	A656	LABEL	(DES), 2 sheets	1	29363713	(S), <MWT>
PACKING	A801	INS MANUAL	En (HT-R420)	1	29343627B	
PACKING	A802	INS MANUAL	Ct (HT-R420)	1	29343667A	<MPT>
PACKING	A802	INS MANUAL	Ct (HT-R420)	1	29343667A	<MWT>
PACKING	A807	INS MANUAL	En-DIG (HT-R420)	1	29343628	<MDD>
PACKING	A807	INS MANUAL	En-DIG (HT-R420)	1	29343628	<MDC>
PACKING	A808	INS MANUAL	U2FrEs (HT-R420)	1	29343704	<MDC>
PACKING	A811	REMO CON	RC-479S	1	24140479	<MPA>
PACKING	A811	REMO CON	RC-479S	1	24140479	<MPT>
PACKING	A811	REMO CON	RC-479S	1	24140479	<MWT>
PACKING	A811	REMO CON	RC-518M	1	24140518	<MDD>
PACKING	A811	REMO CON	RC-518M	1	24140518	<MDC>
PACKING	A813	BATTERY	R6/AA (UM-3)	2	3010054	
PACKING	A820	ANT COIL	NMA-3057	1	232140	
PACKING	A821	FM ANT AS	D	1	292142	<MDD>
PACKING	A821	FM ANT AS	D	1	292142	<MDC>
PACKING	A821	FM ANT AS	Type W	1	292191	<MPA>
PACKING	A821	FM ANT AS	Type W	1	292191	<MPT>
PACKING	A821	FM ANT AS	Type W	1	292191	<MWT>
PACKING	A822	FM ADPTER	YAE21-0237	1	25065462	<MPA>
PACKING	A822	FM ADPTER	YAE21-0237	1	25065462	<MPT>
PACKING	A822	FM ADPTER	YAE21-0237	1	25065462	<MWT>
PACKING	A823	CV PLUG	CV-K-1	1	25056005	<MWT>
PACKING	A845	WRNTY CARD	(ONKYO)	1	29365090B	<MDD>

**HT-S670****<Note>**

Parts marked by "NSP" are generally unavailable because they are not in our Master Spare Parts List.

**<Notes>**

"HTP-420"

(B) : Black model

(S) : Silver model

<MDD> : American model

<MDC> : Canadian model

<MDT> : Asian model (120V)

<MPA> : Australian model

<MGT> : Asian model (220-230V)

<MPT> : Asian model (230-240V)

**SPEAKERS SECTION**

	REF. NO.	PART NAME	DESCRIPTION	Q'TY	PART NO. (SN)	MARK
PACKING	SP01	TOP POLYFOAM	776L x 495W x 90H	1	ITF8303310001	
PACKING	SP02	MIDDLE POLYFOAM	776L x 495W x 120H	1	ITF8303290001	
PACKING	SP03	BOTTOM POLYFOAM	776L x 495W x 90H	1	ITF8303300001	
PACKING	SP04	POLY BAG (SOFT BAG)	(FOR AC CORD)	1	---	NSP
PACKING	SP05	PE BAG (HM BAG)	640L x 320W x 0.015T (FOR SKF / SKC)	3	IVA8031020007	
PACKING	SP06	PO BAG (HM BAG)	430L x 285W x 0.015T (FOR SKM)	2	IVA8031020009	
PACKING	SP07	PO BAG (HM BAG)	1000L x 720W x 0.015T (FOR SKW)	1	IVA8031020008	
PACKING	SP08	TAPE	(SEROHAN) NITTO NO.29 (Yellow)	(1)	29110149	
PACKING	SP11	CARTON BOX	HT-S670 (B) / (HTP-420)	1	ICC8S670BBM10	(B), <MDD>
PACKING	SP11	CARTON BOX	HT-S670 (B) / (HTP-420)	1	ICC8S670BBM10	(B), <MDC>
PACKING	SP11	CARTON BOX	HT-S670 (B) / (HTP-420)	1	ICC8S670BBM30	(B), <MPA>
PACKING	SP11	CARTON BOX	HT-S670 (S) / (HTP-420)	1	ICC8S670SBM10	(S), <MDD>
PACKING	SP11	CARTON BOX	HT-S670 (S) / (HTP-420)	1	ICC8S670SBM10	(S), <MDC>
PACKING	SP11	CARTON BOX	HT-S670 (S) / (HTP-420)	1	ICC8S670SBM30	(S), <MDT>
PACKING	SP11	CARTON BOX	HT-S670 (S) / (HTP-420)	1	ICC8S670SBM30	(S), <MPA>
PACKING	SP11	CARTON BOX	HT-S670 (S) / (HTP-420)	1	ICC8S670SBM30	(S), <MGT>
PACKING	SP11	CARTON BOX	HT-S670 (S) / (HTP-420)	1	ICC8S670SBM30	(S), <MPT>
PACKING	SP12	PP TAPE	W50	(1)	29110071 or	
PACKING	SP12	PP TAPE	NITTO 3703 SUPER W50L100	(1)	29110176	
PACKING	SP13	POLY BAG	350 x 250	1	29100097-1A	
PACKING	SP14	INSTRUCTION MANUAL En	ENGLISH 8P	1	YOM8000010226	
PACKING	SP15	INSTRUCTION MANUAL F/S	FRENCH / SPANISH 16P	1	YOM8000010228	<MDC>
PACKING	SP16	INSTRUCTION MANUAL C	CHINESE	1	YOM8000010229	<MDT>
PACKING	SP16	INSTRUCTION MANUAL C	CHINESE	1	YOM8000010229	<MGT>
PACKING	SP16	INSTRUCTION MANUAL C	CHINESE	1	YOM8000010229	<MPT>
PACKING	SP17	QUICK SET-UP SHEET	(A3 COLOR)	1	TDW8000000006	
PACKING	SP18	CABLE SET	SP CABLE / RCA CABLE / POLY BAG	1	WMA8020010009	

---

**ONKYO CORPORATION**

Sales & Product Planning Div. : 2-1, Nisshin-cho, Neyagawa-shi, OSAKA 572-8540, JAPAN  
Tel: 072-831-8023 Fax: 072-831-8124

**ONKYO U.S.A. CORPORATION**

18 Park Way, Upper Saddle River, N.J. 07458, U.S.A.  
Tel: 201-785-2600 Fax: 201-785-2650 <http://www.onkyousa.com>

**ONKYO EUROPE ELECTRONICS GmbH**

Liegnitzerstrasse 6, 82194 Groebenzell, GERMANY  
Tel: +49-8142-4401-0 Fax: +49-8142-4401-555 <http://www.onkyo.net>

**ONKYO CHINA LIMITED**

Units 2102-2107, Metroplaza Tower I, 223 Hing Fong Road, Kwai Chung,  
N.T., HONG KONG Tel: 852-2429-3118 Fax: 852-2428-9039