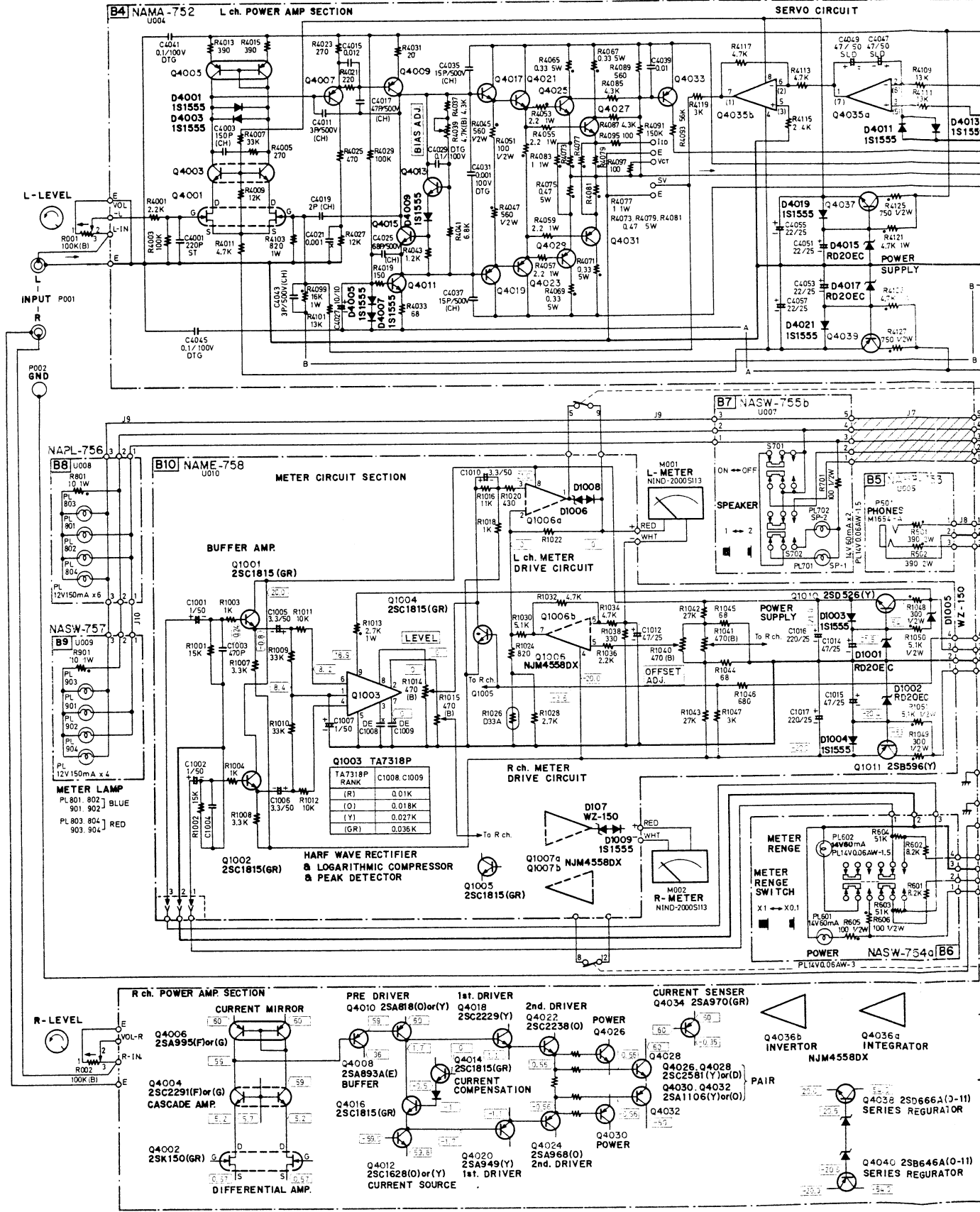
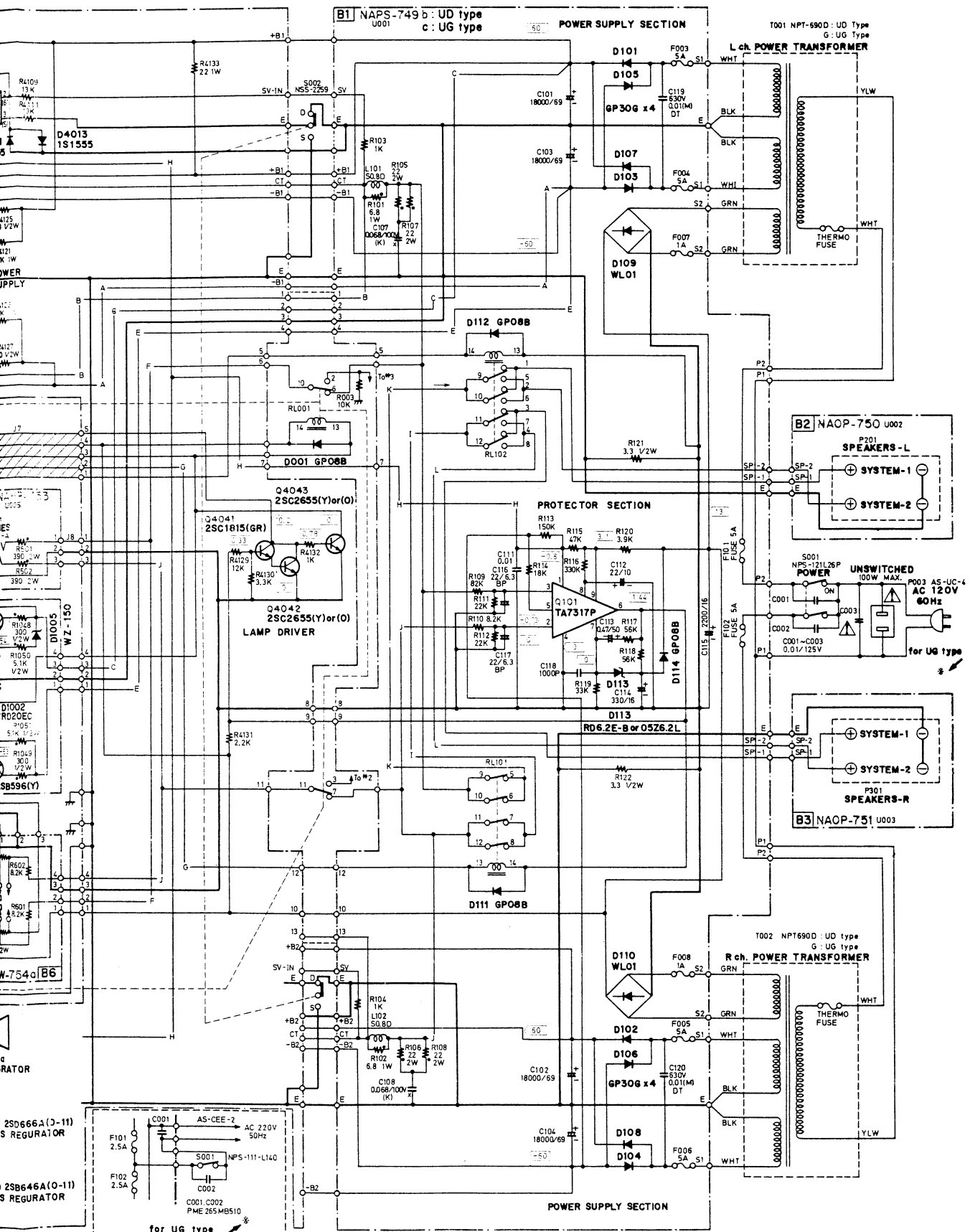


SCHEMATIC DIAGRAM



NOTES

- ALL RESISTORS ARE IN OHMS, 1/4 WATT UNLESS OTHERWISE NOTED.
- ALL CAPACITORS ARE IN μ F, 50VW UNLESS OTHERWISE NOTED.
- ELECTROLYTIC CAPACITORS (—H—) ARE IN μ F/W.
- VOLTAGE (MEASURED WITH V.T.V.M.) (NO INPUT SIGNAL).
- CIRCUIT IS SUBJECT TO CHANGE FOR IMPROVEMENT.



NOTE: F003~F008 1G TYPE ONLY.