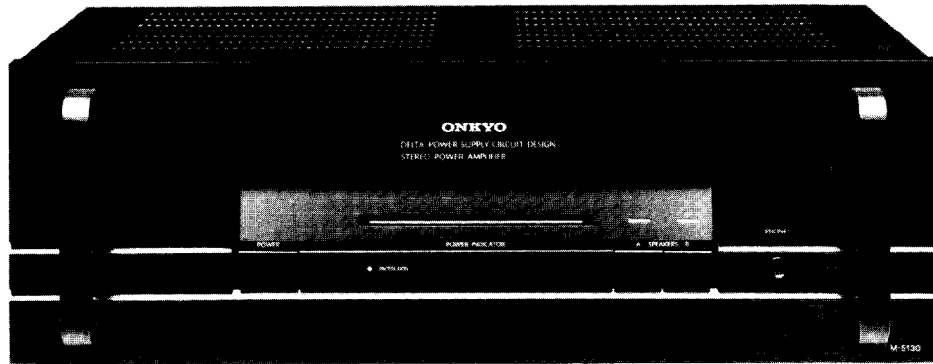


ONKYO® SERVICE MANUAL

Stereo Power Amplifier MODEL M-5130



UD

120V AC, 60Hz

SAFETY-RELATED COMPONENT WARNING!!
COMPONENTS IDENTIFIED BY MARK Δ ON THE SCHEMATIC DIAGRAM AND IN THE PARTS LIST ARE CRITICAL FOR RISK OF FIRE AND ELECTRIC SHOCK. REPLACE THESE COMPONENTS WITH ONKYO PARTS WHOSE PARTS NUMBERS APPEAR AS SHOWN IN THIS MANUAL.

MAKE LEAKAGE-CURRENT OR RESISTANCE MEASUREMENTS TO DETERMINE THAT EXPOSED PARTS ARE ACCEPTABLY INSULATED FROM THE SUPPLY CIRCUIT BEFORE RETURNING THE APPLIANCE TO THE CUSTOMER.

TABLE OF CONTENTS

Specifications	2
Block diagram	2
Precautions	3
Chassis-exploded view	4
IC Block diagram	6
Front panel facilities	6
Printed circuit board view	7
Schematic diagram	9
Printed board parts list	11
Packing procedures	12

ONKYO
AUDIO COMPONENTS

SPECIFICATIONS

Power Output: 105 watts per channel, min. RMS, at 8 ohms, both channels driven, from 20Hz to 20kHz, with no more than 0.09% THD

Total Harmonic Distortion: 0.09% at 105 watts

IM Distortion: 0.09% at 105 watts

Damping Factor: 40 at 8 ohms

Frequency Response: 5 - 100KHz ± 1 dB

Sensitivity and Impedance: 1V/50kohms

Signal to Noise Ratio: 100dB (IHFA-202 1 watt output)

General

Power Supply: AC120V, 60Hz

Dimensions (W x H x D): 435 x 158 x 286mm
17-1/8" x 6-3/16" x 11-1/4"

Weight: 7.7 kg, 17.0 lbs.

Remote Control Transmitter RC-81S

Transmitter: Infrared

Signal range: Approx. 5 meters, 16 ft·4"

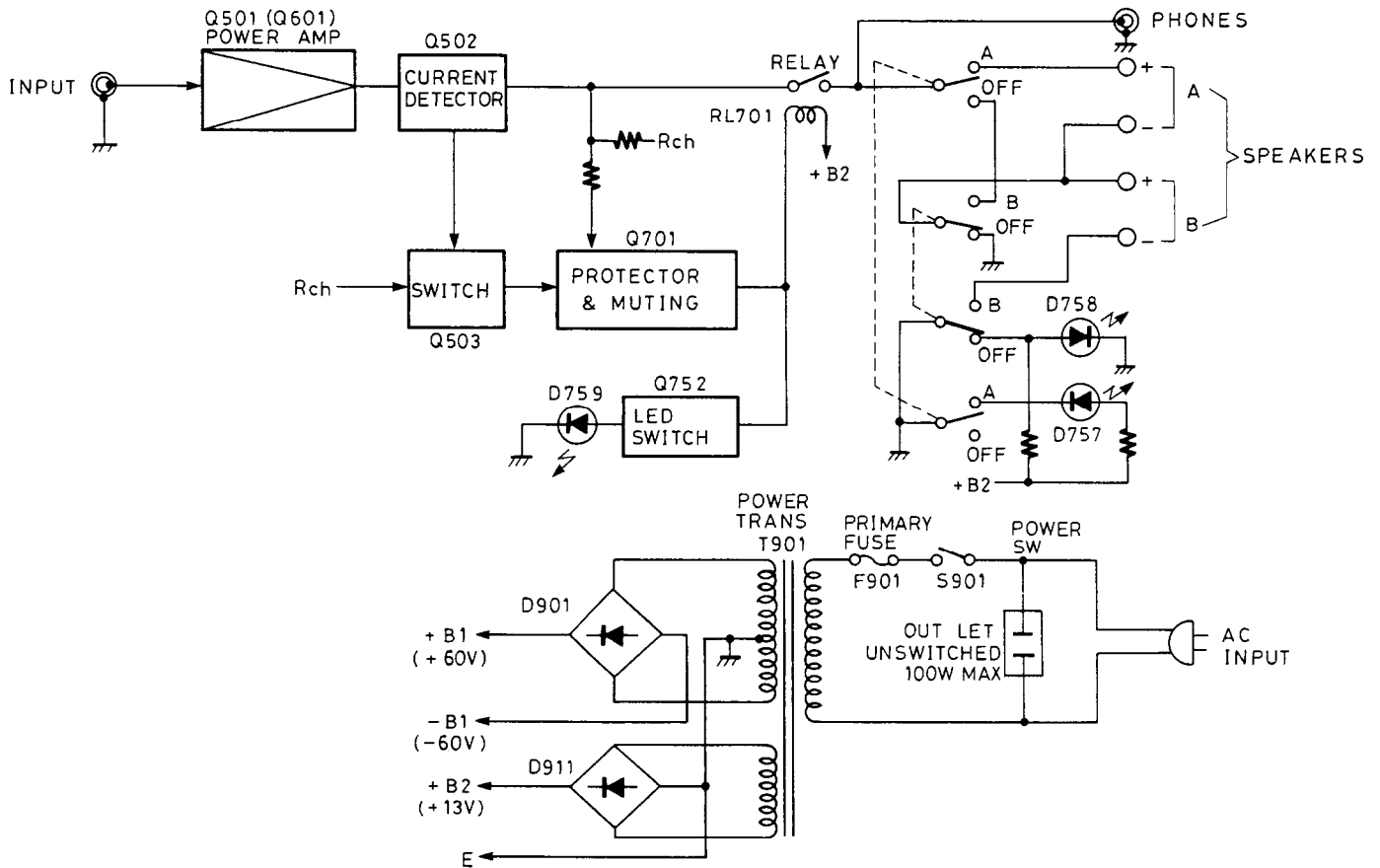
Power supply: Two "AA" batteries (1.5V x 2)

Dimensions (W x H x D): 64 x 18 x 149mm
2-1/2" x 11/16" x 5-7/8"

Weight: 110 grams, 3.9 oz.
(including batteries)

Specifications and features are subject to change without notice.

BLOCK DIAGRAM



PRECAUTIONS

1. Replacing the fuses

For continued protection against risk fire, replace only with same type and same rating fuse.

CIRCUIT NO.	PARTS NO.	DESCRIPTION
F901	252052	7A (ST-6), Primary fuse

2. Insulation resistance measurement

Connect the insulating-resistance tester between the plug of power supply cable and the terminal GND on the back panel. Specifications; More than 10M Ω at 500V.

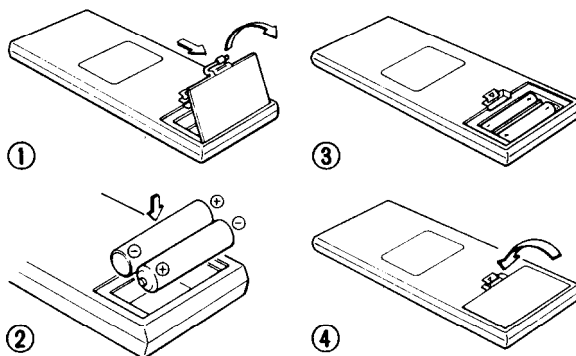
3. Remote Control Transmitter Batteries

The remote control transmitter is powered by two batteries. Before using this unit for the first time, insert the two batteries (included) as shown in the diagram. The remote control transmitter has no on/off switch for its own. Average battery life is one year. This period may be shorter depending on the frequency of use and environment (temperature and humidity) in which the remote control transmitter is used. If the remote control transmitter does not operate even though front panel controls function normally, the batteries should be replaced. Use only batteries listed in the following chart.

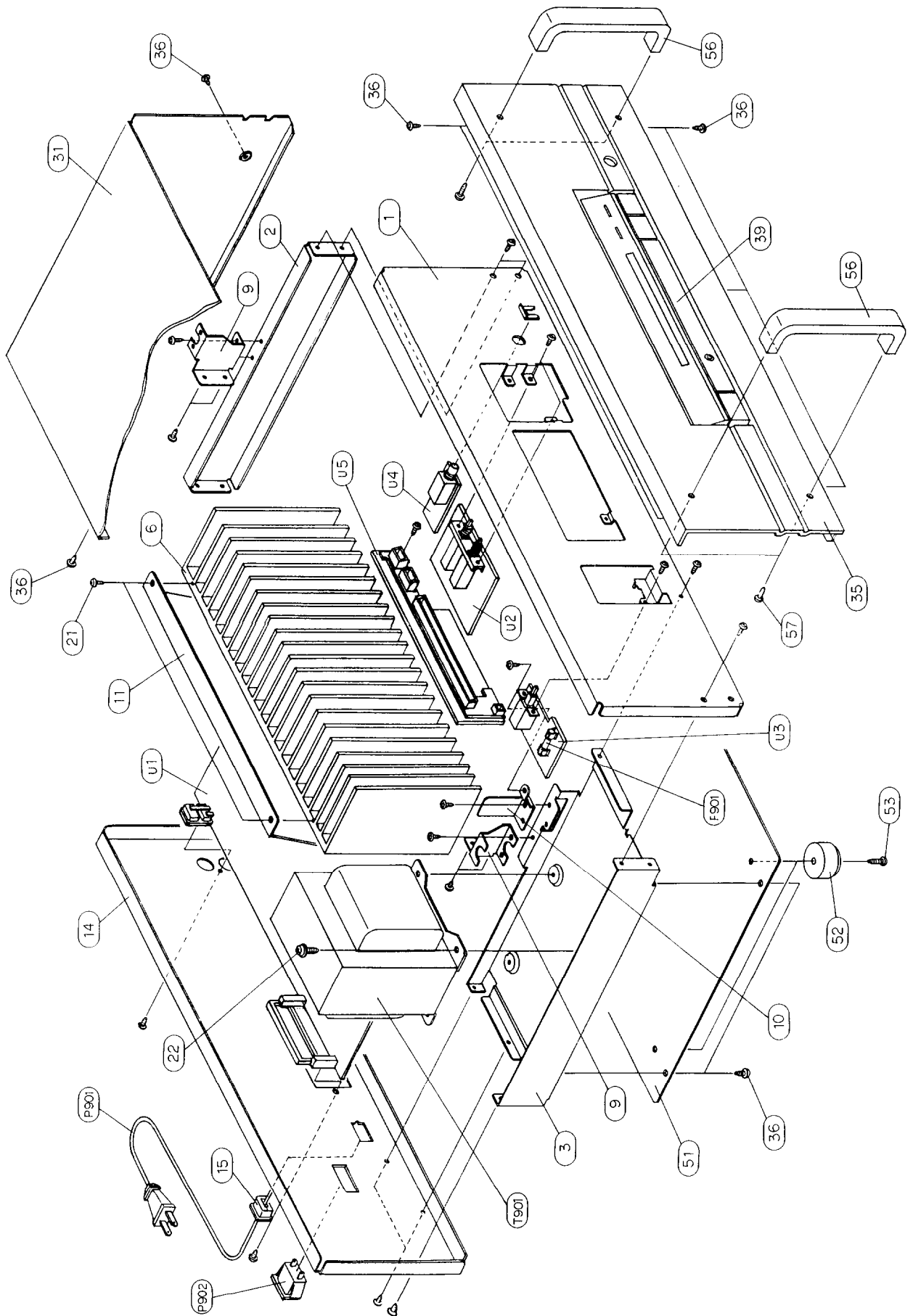
Type	Voltage	Size
Manganese	1.5V	AA, R6, UM-3

- Note**
1. The battery life is influenced by the way it is used, temperature, humidity and many other factors. On the average, they should last for one year.
 2. Do not leave an expired battery in the case as it may leak or damage the battery case.
 3. When inserting the batteries, be sure the (+) and (-) ends are properly aligned.
 4. Do not use nickel-cadmium (rechargeable) batteries.
 5. Do not use one specified (manganese) battery and one alkaline battery at the same time.
 6. Replace both batteries at once, do not use one old and one new battery together.

Transmitter Battery replacement (RC-81S)



CHASSIS-EXPLODED VIEW



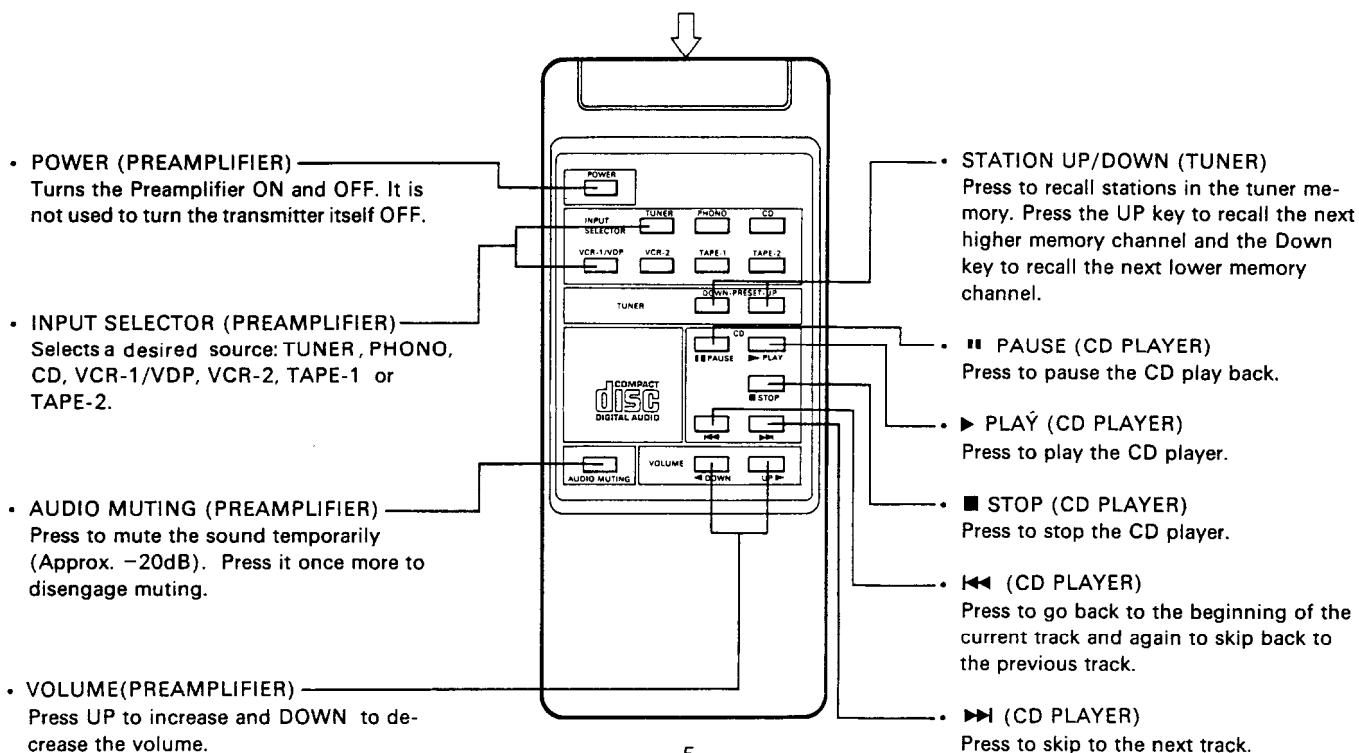
CHASSIS-EXPLODED VIEW PARTS LIST

REF. NO.	PART NO.	DESCRIPTION
1	27110331A	FRONT BRACKET
2	27115221	SIDE BRACKET
3	27130404-2	BRACKET (PT)
6	27160207	HEATSINK
9	27141020B	BRACKET (HE)
10	27141114B	BRACKET (S)
11	27141137A	BRACKET (L)
14	27121011	BACK PANEL
15	27300750	BUSHING (CORD)
21	831130088	TAP-TIGHT SCREW 3TTW+8B
22	830440089	TAP-TIGHT SCREW 4TTC+8CBC
31	28184353A	TOP COVER
35	27210873A	FRONT PANEL
36	834430088	TAP-TIGHT SCREW 3TTS+8BBC
39	28322896A	KNOB AS
51	27170238	BOTTOM BOARD
52	280889B	LEG
53	831430168	TAP-TIGHT SCREW 3TTW+16BBC
56	28158034	HANDLE
57	830440109	TAP-TIGHT SCREW 4TTC+10CBC
▲ T901	2300226	POWER TRANSFORMER NPT-961D
▲ P901	253123 or	POWER SUPPLY CABLE AS-UC-6#18
	253136 or	POWER SUPPLY CABLE AS-UC-6#18
	253140	POWER SUPPLY CABLE AS-UC-6#18
▲ P902	25050290	AC OUTLET NSCT-2P118T
▲ F901	252052	FUSE 7A (ST-6)
U1	1A045562-2	NAAF-2862-2, POWER AMP. PC BOARD ASS'Y
U2	1A045563-2	NASW-2863-2, SPEAKER SWITCH PC BOARD ASS'Y
U3	1A044564-1	NASW-2864-1, POWER SWITCH PC BOARD ASS'Y
U4	1A044565-1	NAAF-2865-1, PHONES PC BOARD ASS'Y
U5	1A044566-1	NADIS-2866-1, DISPLAY PC BOARD ASS'Y

NOTE: THE COMPONENTS IDENTIFIED BY MARK ▲ ARE CRITICAL FOR RISK OF FIRE AND ELECTRIC SHOCK. REPLACE ONLY WITH PARTS NUMBER SPECIFIED.

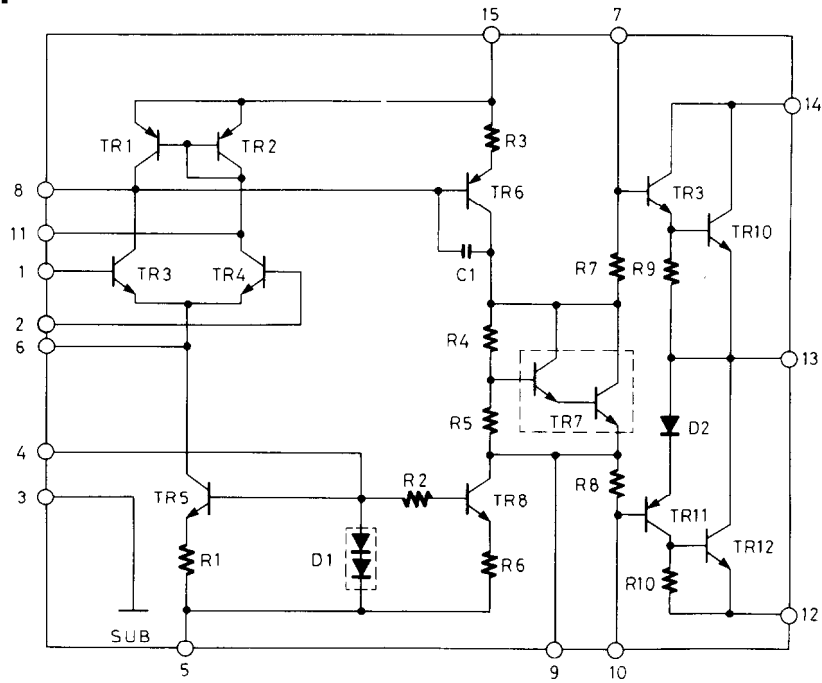
REMOTE CONTROL TRANSMITTER (RC-81S)

Remote Control Signal Transmission Window

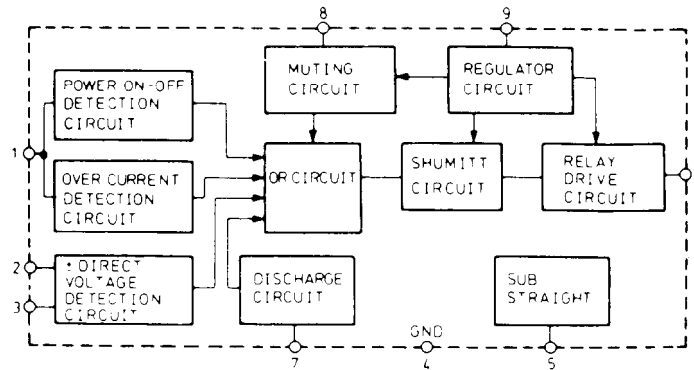


IC BLOCK DIAGRAM

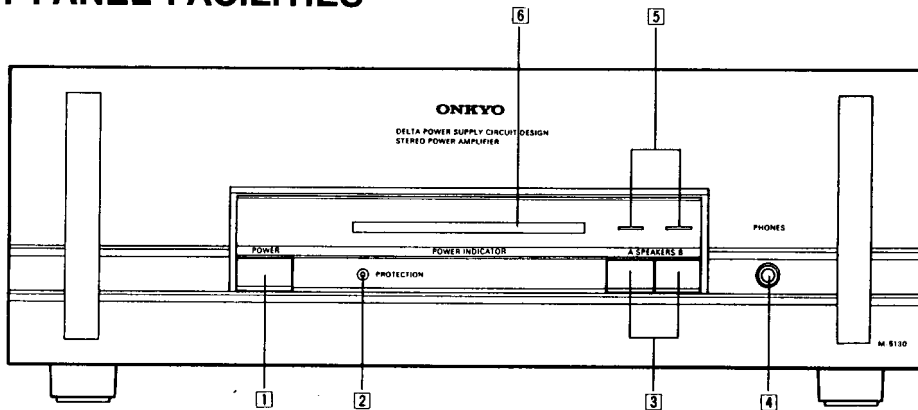
STK-4044V (Power Amp.)



TA7317P (Protective Circuit)



FRONT PANEL FACILITIES



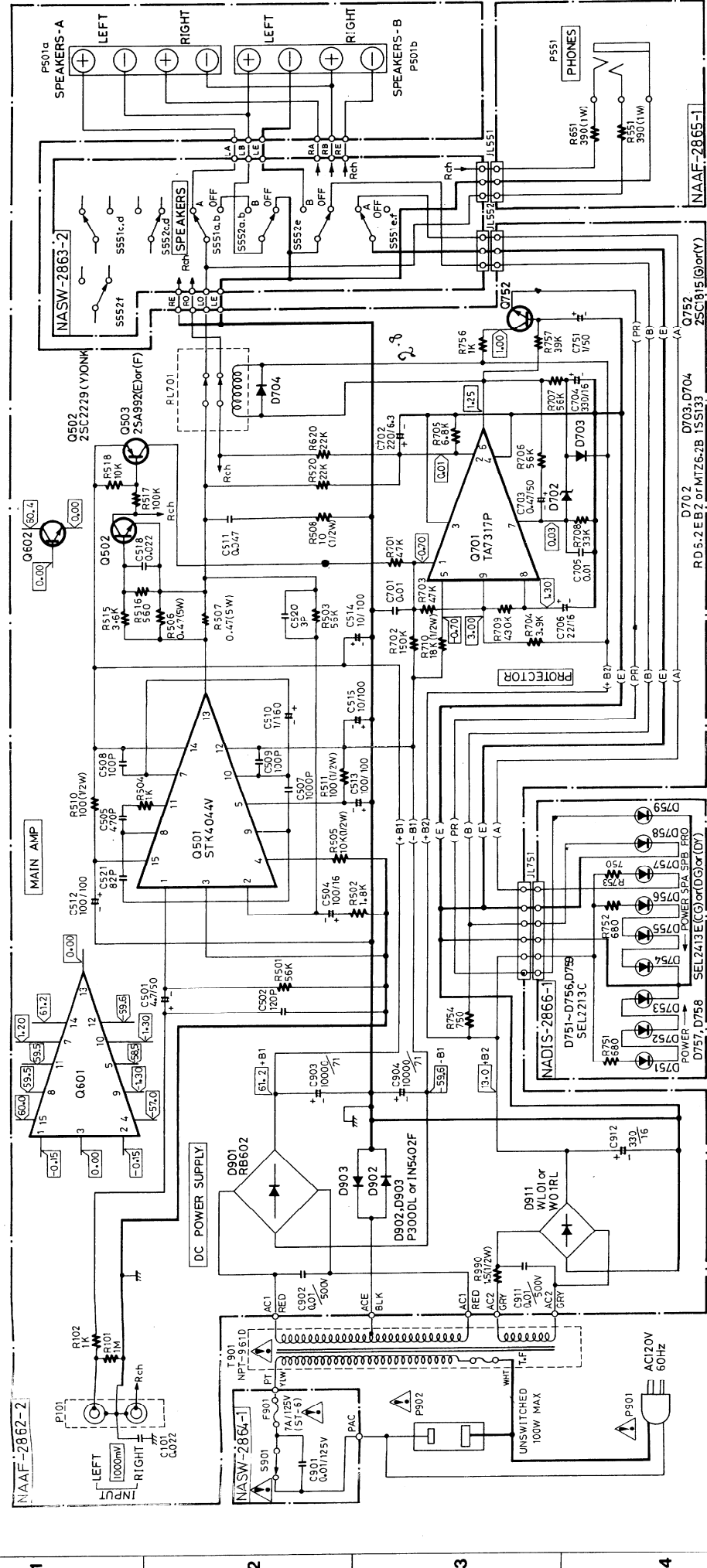
1. Power Switch (POWER)
2. Protection Indicator (PROTECTION)
3. Speaker Selector (SPEAKERS)

NOTE: In the "A+B" mode, the speakers are connected in series.

If only one pair of speakers is connected to the M-5130, no sound will be heard in this setting.

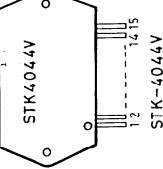
4. Headphone Jack (PHONES)
5. Speaker Indicator
6. Power Indicator (POWER INDICATOR)

SCHEMATIC DIAGRAM



NC	FUNCTION	POSITION
S901	POWER	OFF ON
S551	SPEAKERS A	OFF A
S552	SPEAKERS B	OFF B

25C1815
25C2229
25A992



- NOTES**
- ALL RESISTORS ARE IN OHMS 1/4WATTS or 1/6WATTS UNLESS OTHERWISE NOTED.
 - ALL CAPACITORS ARE IN μ F/50V UNLESS OTHERWISE NOTED.
 - ELECTROLYTIC CAPACITORS (-E+) ARE IN μ F / WV.
 - ALL DIODES ARE 1SS133 UNLESS OTHERWISE NOTED.
 - VOLTAGE (MEASURED WITH V.T.V.M) \pm V IS DC VOLTAGE. (NO INPUT SIGNAL)
 - THE COMPONENTS IDENTIFIED BY MARK Δ ARE CRITICAL FOR SAFETY. REPLACE ONLY WITH PART NUMBER SPECIFIED.
 - CIRCUIT IS SUBJECT TO CHANGE FOR IMPROVEMENT.

PRINTED CIRCUIT BOARD PARTS LIST

POWER AMP. CIRCUIT PC BOARD (NAAF-2862-2)-PARTS LIST

CIRCUIT NO.	PART NO.	DESCRIPTION
	ICs	
Q501, Q601 Q701	222051 222584	STK4044V TA7317P
	Transistors	
Q502, Q602 Q503	2211639 2211792 or 2211793	2SC2229Y (ONK) 2SA992E or 2SA992F
Q752	2211255 or 2211254	2SC1815GR or 2SC1815Y
	Diodes	
D702	2239492 or 2243162	RD6.2EB2 or MTZ6.2B
D703, D704 D901	223163 223898	1SS133 RB602
D902, D903	223897F or 22380003F	P300DL or 1N5402F
D911	223862 or 223890	WL01 or W01RL
	Capacitors	
C501, C601 C504, C604 C510, C610 C511, C611 C512, C513 C612, C613 C514, C515 C614, C615 C702 C703 C704 C706 C751 C903, C904 C912	3500093 354741019 354700109 371124734 354791019 354791009 354722219 354784799 354743319 354742209 354780109 3504191 354743319	4.7 μ F, 50V, Elect. 100 μ F, 16V, Elect. 1 μ F, 160V, Elect. 0.047 μ F, 50V, Mylar 100 μ F, 100V, Elect. 10 μ F, 100V, Elect. 220 μ F, 6.3V, Elect. 0.47 μ F, 50V, Elect. 330 μ F, 16V, Elect. 22 μ F, 16V, Elect. 1 μ F, 50V, Elect. 10000 μ F, 71V, Elect. 330 μ F, 16V, Elect.
	Resistors	
R505, R605 R506, R507 R606, R607 R508, R608 R510, R511 R610, R611 R710 R990	442521034F 4000080 441521004F 442521014F 442521834F 442520154F	10k Ω , 1/2W, Metal oxide film 0.47 Ω , 5W, Metal plate 10 Ω , 1/2W, Metal oxide film 100 Ω , 1/2W, Metal oxide film 18k Ω , 1/2W, Metal oxide film 1.5 Ω , 1/2W, Metal oxide film
	Relay	
RL701	25065275	NRL-2P5A-DC12-38
	Terminals	
P101 P501	25045211 25060093	NPJ-2PDBL91, Input NTM-8PDML34, Output
	Bracket	
	27141059	Washer

SPEAKER SWITCH CIRCUIT PC BOARD (NASW-2863-2)-PARTS LIST

CIRCUIT NO.	PART NO.	DESCRIPTION
	Switches	
S551, (S552)	25035549	NPS-262-L511

POWER SWITCH CIRCUIT PC BOARD (NASW-2864-1)-PARTS LIST

CIRCUIT NO.	PART NO.	DESCRIPTION
	Capacitor	
C901	3500065A	0.01 μ F, AC400V/125V, IS
	Switch	
S901	25035550	NPS-111-1512P
	Fuse holders	
	250113	SN5051

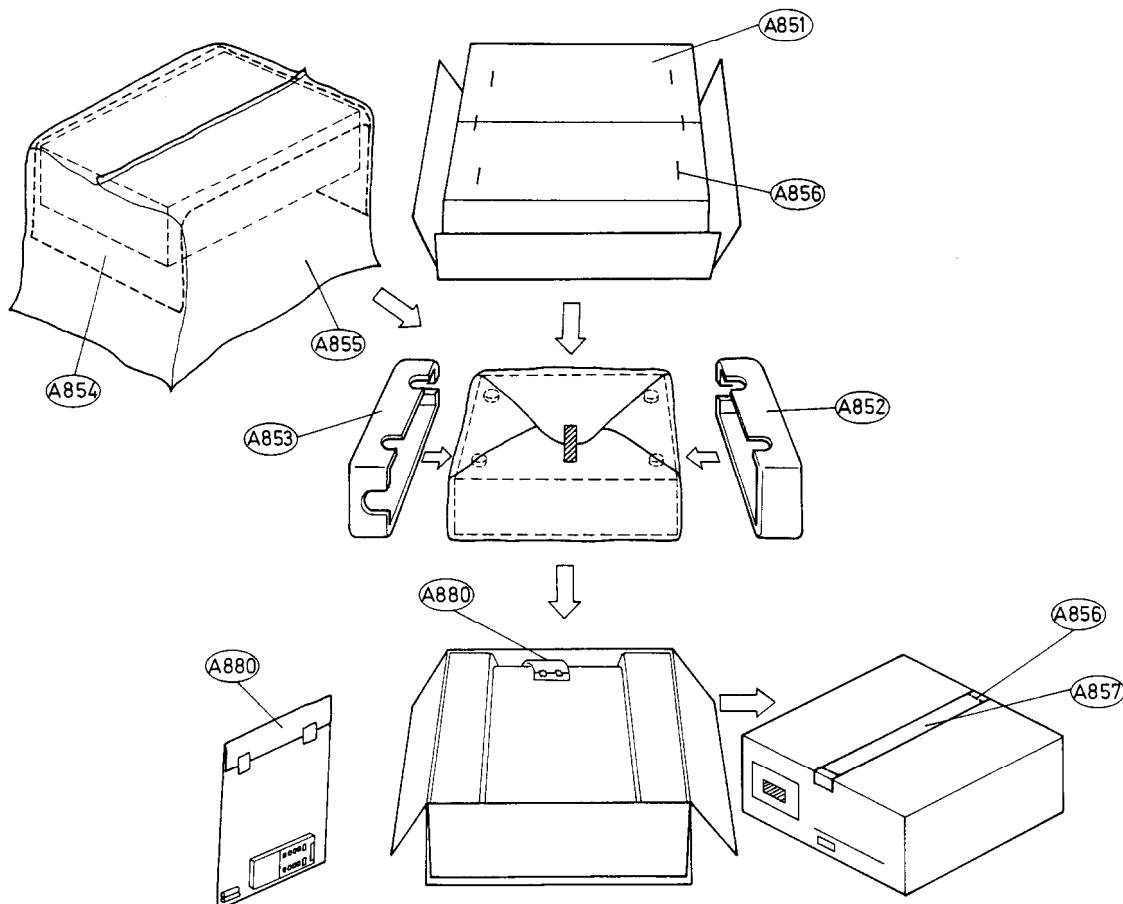
PHONES CIRCUIT PC BOARD (NAAF-2865-1)-PARTS LIST

CIRCUIT NO.	PART NO.	DESCRIPTION
	Resistors	
R551, R651	441623914	390 Ω , 1W, Metal oxide film
	Jack	
P551	25045187	HLJ-0541-01-010

DISPLAY CIRCUIT PC BOARD (NADIS-2866-1)-PARTS LIST

CIRCUIT NO.	PART NO.	DESCRIPTION
	Diodes	
D751~D756 D759 D757, D758	225141 225137CG or 225137DG or 225137DY	SEL2213C SEL2413ECG SEL2513EDG SEL2413EDY
	Holder	
	27190510A	(LED)

PACKING MATERIALS



REF NO.	PART NO.	DESCRIPTION
A851	29051564	MASTER CARTON BOX
A852	29091152	PAD (L)
A853	29091153	PAD (R)
A854	29095012-1	SHEET 800X500
A855	29100033A	POLY BAG 750X500
A856	282301	STAPLE 16H
A857	260012	DAMPLON TAPE W50 BROWN
A880	Accessory bag ass'y	
	29341157	INSTRUCTION MANUAL
	29365019	WARRANTY CARD [N]
	29358002E	SERVICE STATION LIST [N]
	2010098 or	CONNECTION CABLE
	2010098A	CONNECTION CABLE
	24140008	REMOTE CONTROLE UNIT, RC-81S
	3010054	TWO BATTERIES, UM-3
	29100097	POLY BAG 350X250

NOTE [N]: Only U.S.A. Models

ONKYO CORPORATION

International Division: No. 24 Mori Bldg., 23-5, Nishi Shimbashi 3-chome, Minato-ku,
 TOKYO 105, JAPAN Tel: 03-432-6987 Fax: 03-436-6979 TLX: 242-3551 ONKYO J
ONKYO U.S.A. CORPORATION
 200 Williams Drive, Ramsey, N.J. 07446, U.S.A. Tel: 201-825-7950 Fax: 201-825-8150