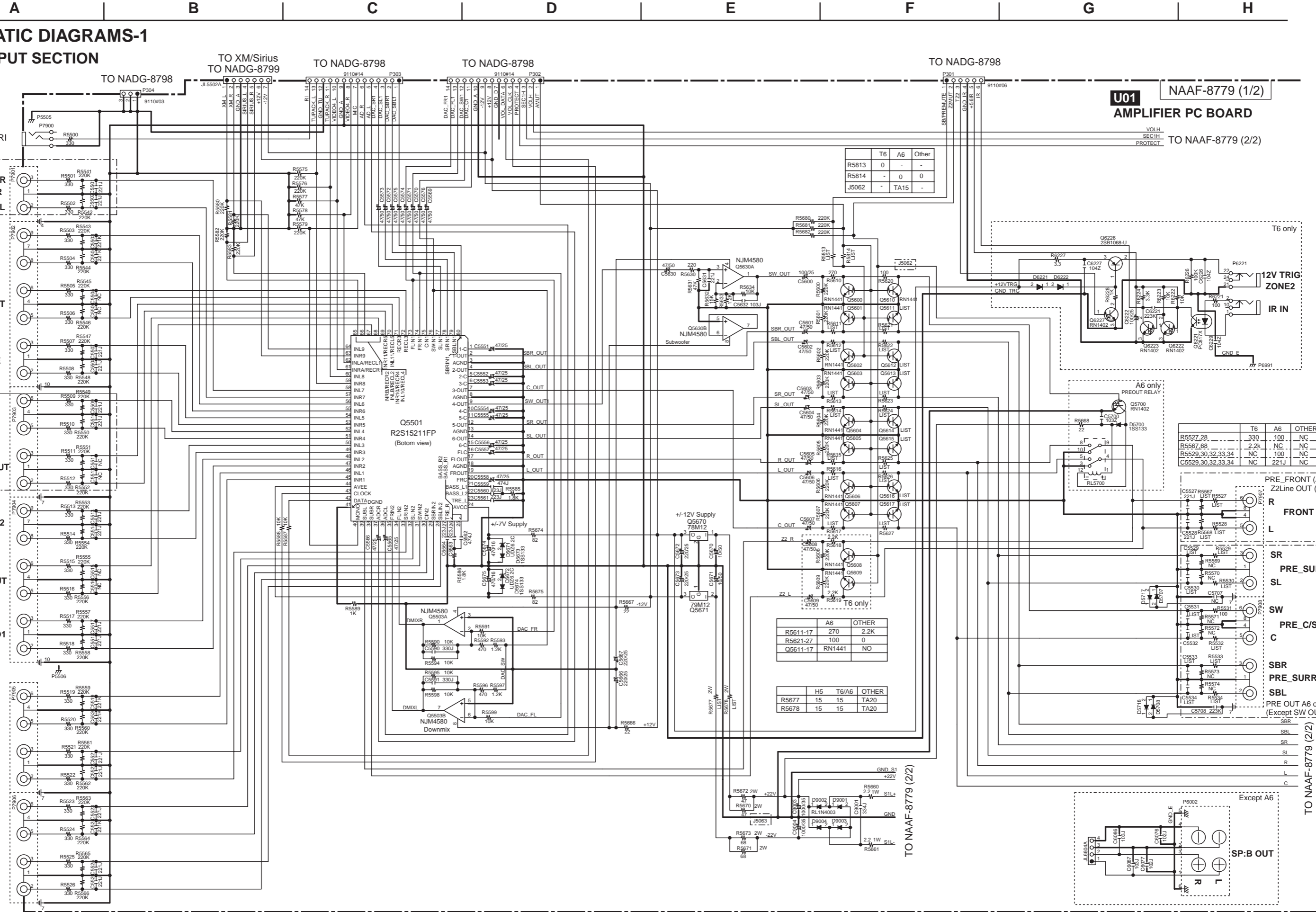


SCHEMATIC DIAGRAMS-1

AUDIO INPUT SECTION

1
2
3
4
5



U01 NAAF-8779 (1/2)

AMPLIFIER PC BOARD

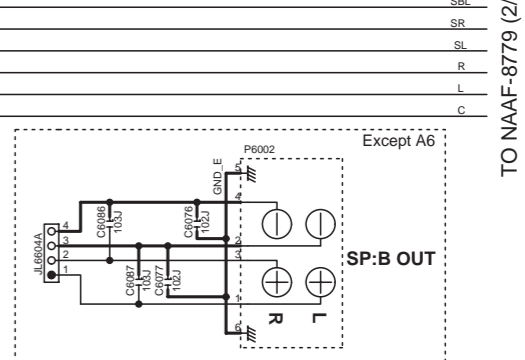
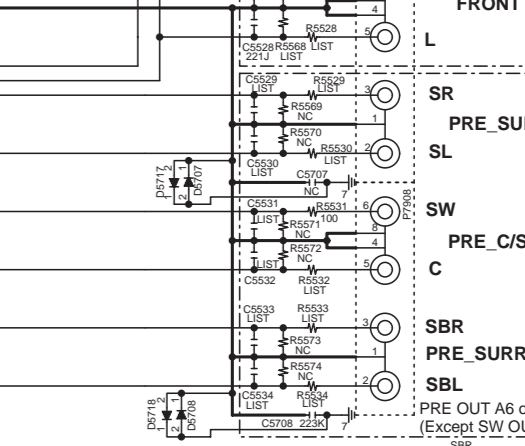
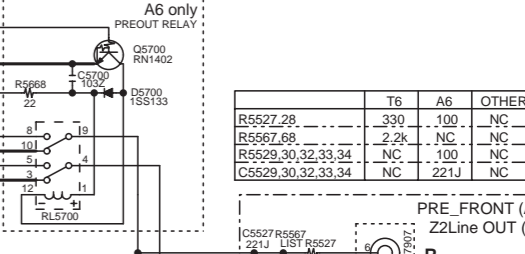
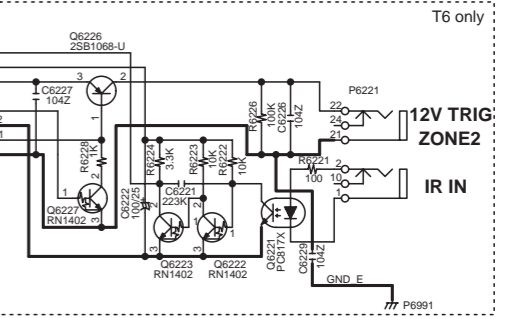
TO NAAF-8779 (2/2)

	T6	A6	Other
R5813	0	-	-
R5814	-	0	0
J5062	-	TA15	-

	T6	A6	OTHER
R5527.28	330	100	NC
R5567.68	2.2k	NC	NC
R5529.30.32.33.34	NC	NC	NC
C5529.30.32.33.34	NC	221J	NC

	A6	OTHER
R5611-17	270	2.2K
R5621-27	100	0
Q5611-17	RN1441	NO

	H5	T6/A6	OTHER
R5677	15	15	TA20
R5678	15	15	TA20



TO NAAF-8779 (2/2)

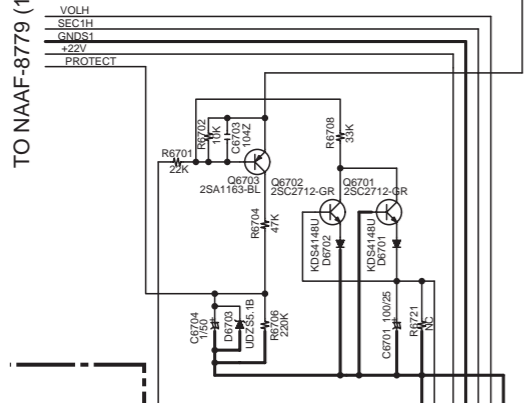
SCHEMATIC DIAGRAMS-2
POWER AMPLIFIER SECTION

Driver Tr	ALL	ALL (or)	H5(or)	T5(or)
Q6030-32	2SC5171	2SC5993
Q6033-36	2SC5171	2SC5993	KTD2061	..
Q6040-42	2SA1930	2SA2140
Q6043-46	2SA1930	2SA2140	KTB1369	..

Power Tr	T5(US/EX)	H5	T5(EU)/A5	T5(US/EX or)
Q6050-52	MN130	2SC5242	2SC5198	..
Q6053-56	MN130	2SC5242	2SC5198	KTC5242
Q6060-62	MP130	2SA1962	2SA1941	..
Q6063-66	MP130	2SA1962	2SA1941	KTA1962

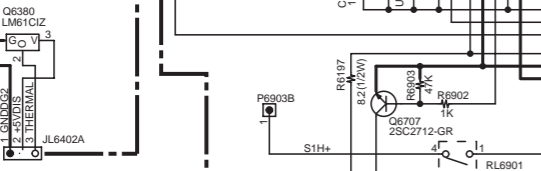
NAAF-8779
U01
AMPLIFIER PC BOARD

TO NAAF-8779 (1/2)

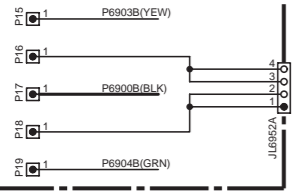


NAETC-8781
U03
THERMAL SENSOR PC BOARD

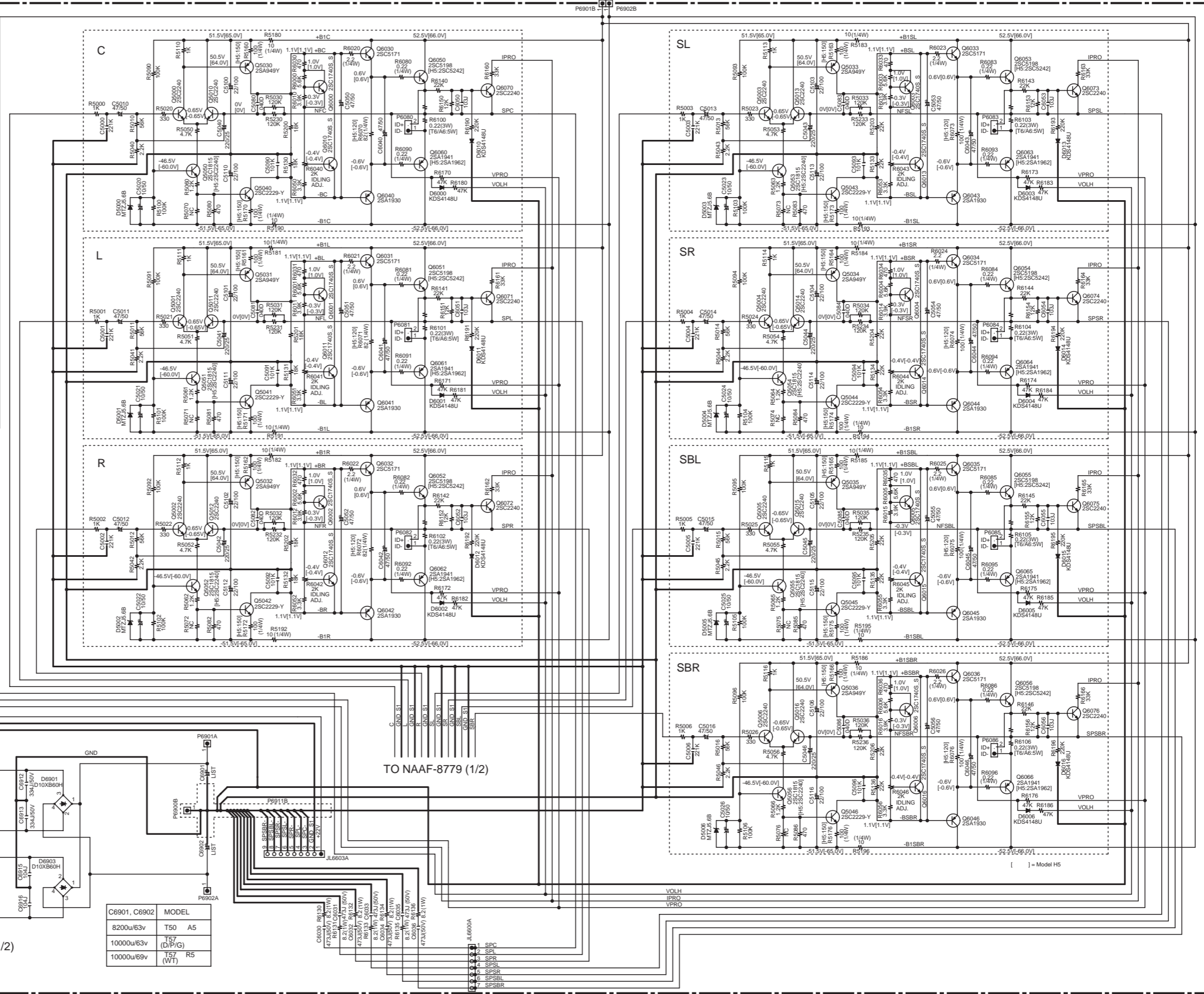
VOLH	R6710
T5/A5	33K
H5	12K



NAPS-8780
U02
SEC. TERMINAL-1 PC BOARD



F6901	6902	MODEL
D	10A 125V	T50 A5
P	10A 125V	T57 (D/P/G)
G	10A 125V	T57 (WT)
J	10A 125V	..
W	10A 125V	..



TO NAAF-8779 (1/2)

C6901, C6902	MODEL
8200u/63v	T50 A5
10000u/63v	T57 (D/P/G)
10000u/69v	T57 (WT)

Q6030	MODEL
8200u/63v	T50 A5
10000u/63v	T57 (D/P/G)
10000u/69v	T57 (WT)

[] = Model H5



SCHEMATIC DIAGRAMS-3

DSP & MICROPROCESSOR SECTION

1
2
3
4
5

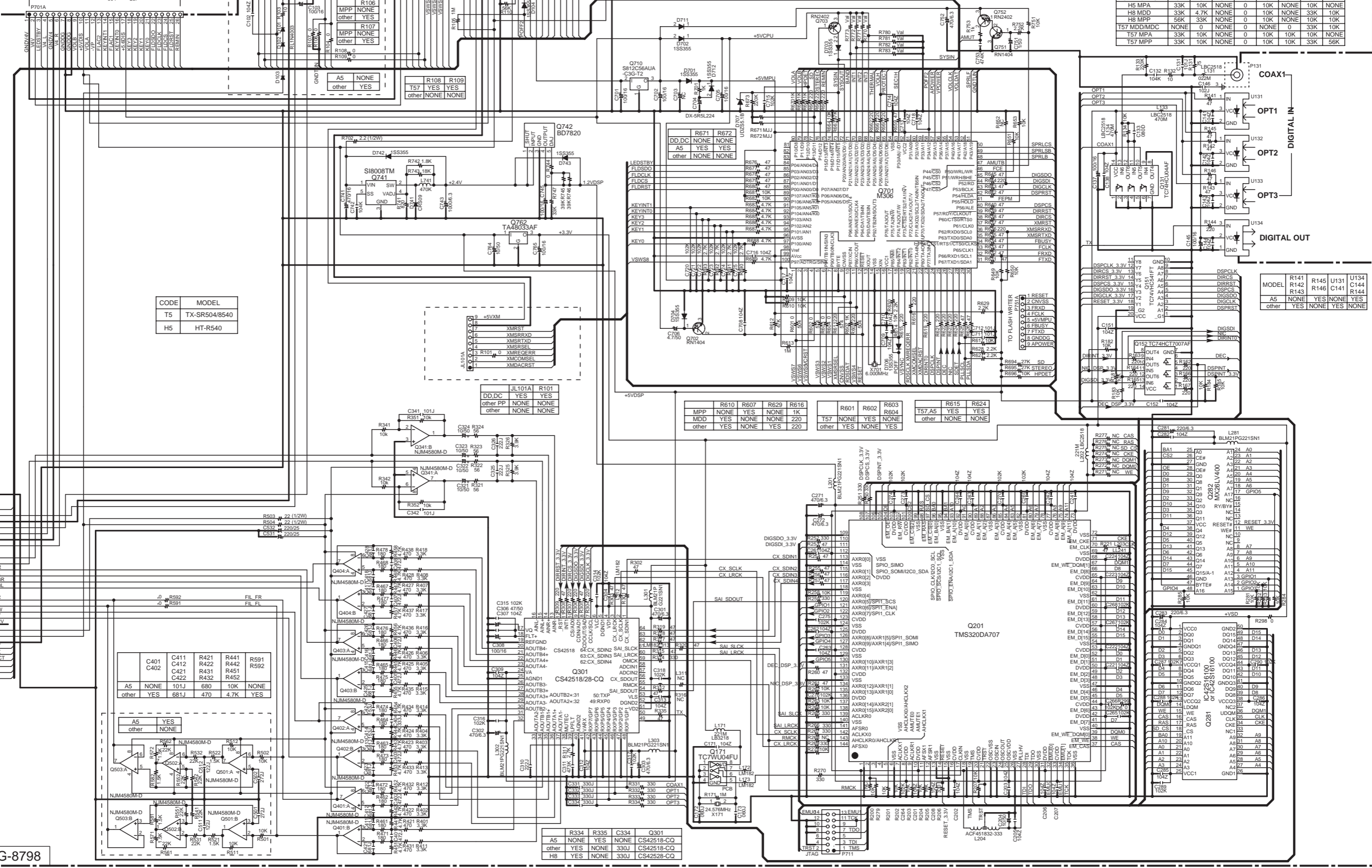
A B C D E F G H

TO NADIS-8785

TO TUNER UNIT

TO NAVD-8804

TO NAETC-8781



CODE	MODEL
T5	TX-SR504/8540
H5	HT-R540

JL101A	R101
DD,DC	YES YES
other PP	NONE NONE
other	NONE NONE

R610	R607	R629	R616
MPP	NONE YES	NONE 1K	
MDD	YES NONE	NONE 220	
other	YES NONE	YES 220	

R601	R602	R603
T57	NONE	NONE
other	YES	NONE

T57.A5	R624
other	YES YES
	NONE NONE

C401	C411	R421	R441	R591
A5	NONE	101J	680	10K
other	YES	681J	470	4.7K

A5	YES
other	NONE

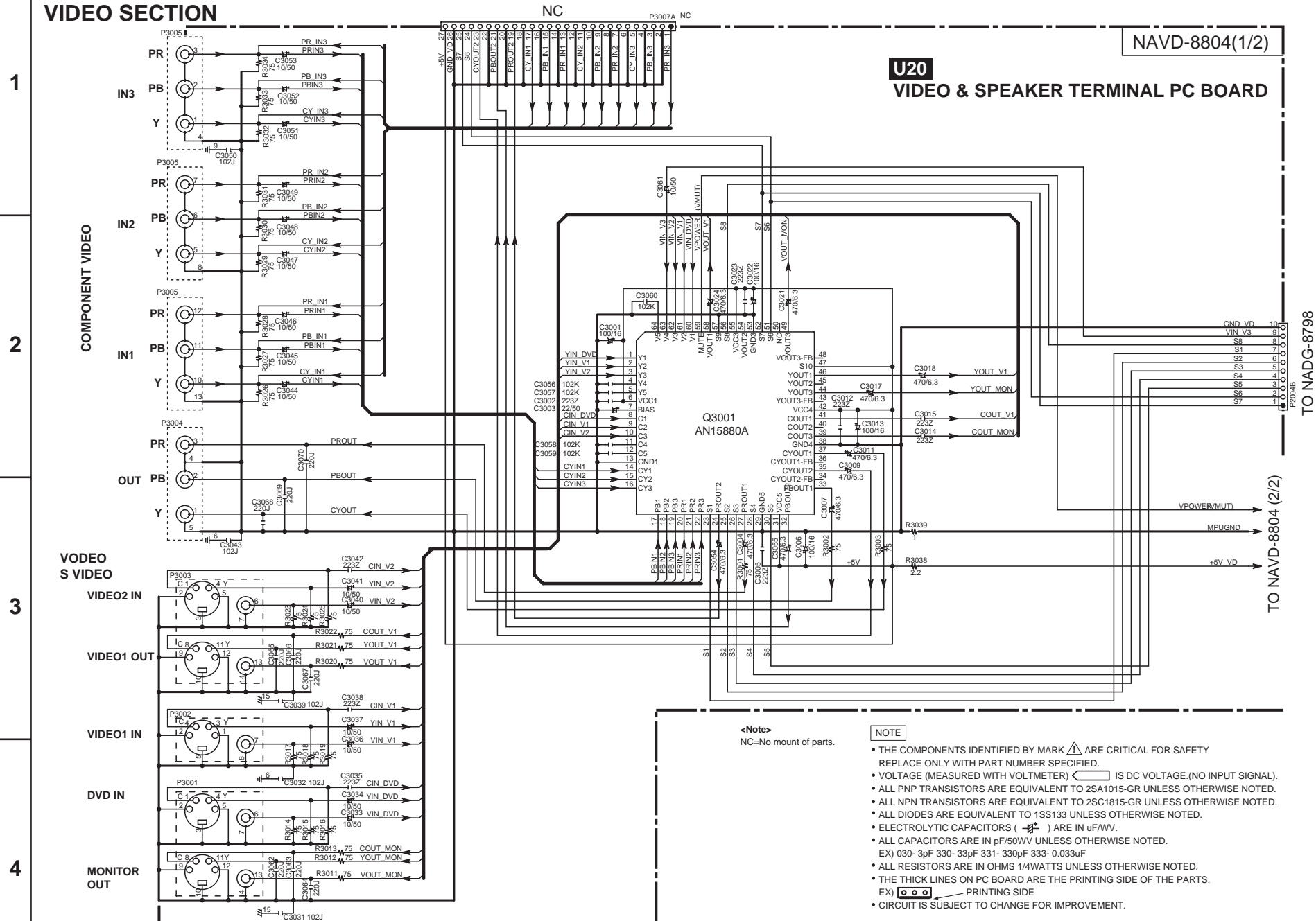
R334	R335	C334	Q301
A5	NONE	YES	CS42518-CQ
other	YES	NONE	330J CS42518-CQ
H8	YES	NONE	330J CS42528-CQ

T5 MDD/MDC	R770	R780	R771	R781	R772	R782	R773	R783
T5MPP	33K	10K	NONE	0	10K	10K	10K	10K
8450	33K	10K	NONE	0	10K	10K	10K	NONE
A5	10K	10K	33K	10K	33K	10K	10K	33K
H5 MDD/MDC	NONE	0	NONE	0	10K	NONE	NONE	0
H5 MPA	33K	10K	NONE	0	10K	NONE	10K	10K
H8 MDD	33K	4.7K	NONE	0	10K	NONE	33K	10K
H8 MPP	56K	33K	NONE	0	10K	NONE	10K	10K
T57 MDD/MDC	NONE	0	NONE	0	NONE	0	33K	10K
T57 MPA	33K	10K	NONE	0	10K	10K	10K	NONE
T57 MPP	33K	10K	NONE	0	10K	10K	33K	56K

MODEL	R141	R145	U131	U134
A5	NONE	YES	NONE	YES
other	YES	NONE	YES	NONE

NADG-8798

SCHEMATIC DIAGRAMS-4
VIDEO SECTION

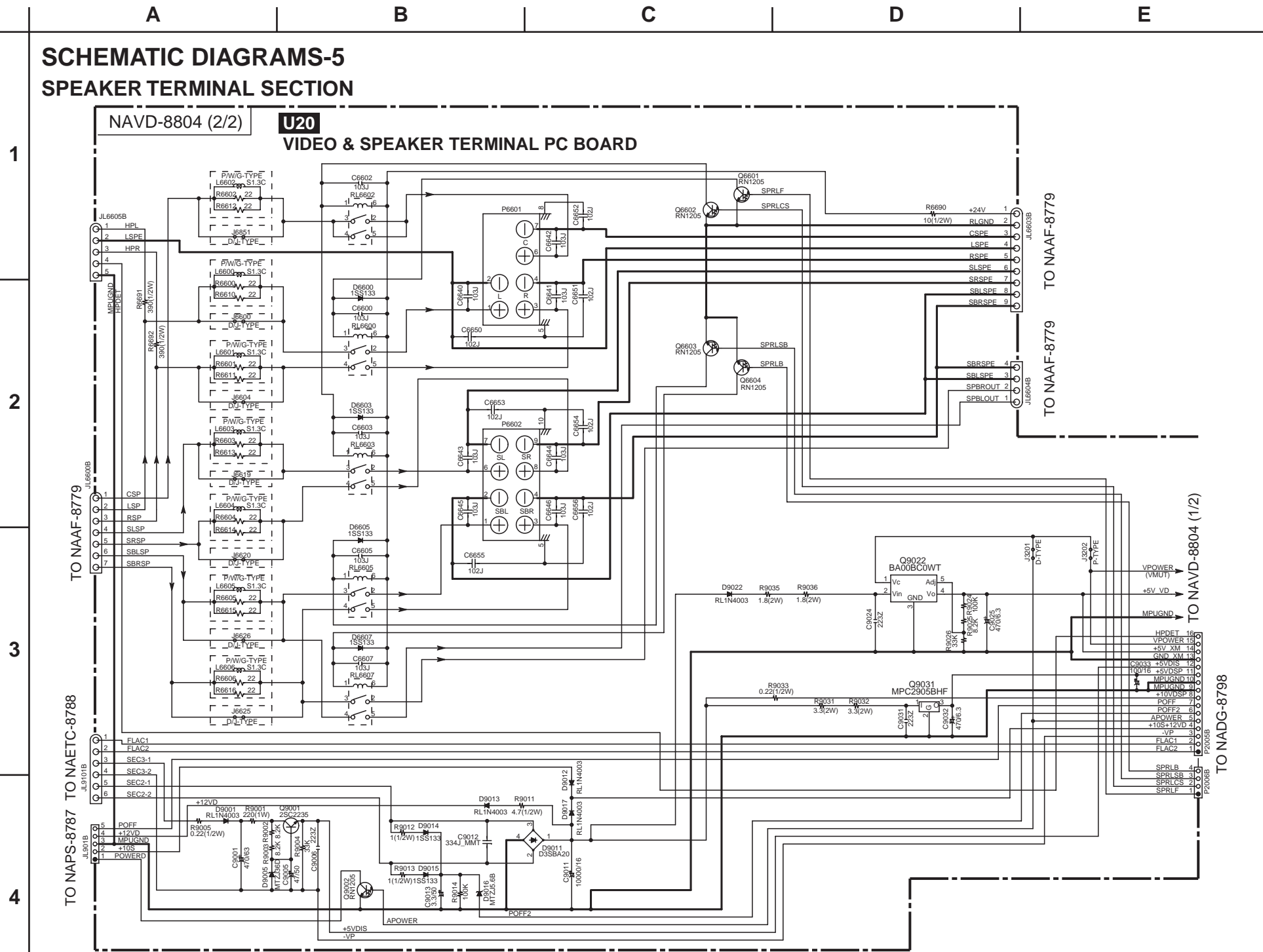


<Note>
NC=No mount of parts.

NOTE

- THE COMPONENTS IDENTIFIED BY MARK \triangle ARE CRITICAL FOR SAFETY REPLACE ONLY WITH PART NUMBER SPECIFIED.
- VOLTAGE (MEASURED WITH VOLTMETER) \square IS DC VOLTAGE.(NO INPUT SIGNAL).
- ALL PNP TRANSISTORS ARE EQUIVALENT TO 2SA1015-GR UNLESS OTHERWISE NOTED.
- ALL NPN TRANSISTORS ARE EQUIVALENT TO 2SC1815-GR UNLESS OTHERWISE NOTED.
- ALL DIODES ARE EQUIVALENT TO 1SS1133 UNLESS OTHERWISE NOTED.
- ELECTROLYTIC CAPACITORS (\square) ARE IN μ F/WV.
- ALL CAPACITORS ARE IN pF/50WV UNLESS OTHERWISE NOTED.
EX) 030- 3pF 330- 33pF 331- 330pF 333- 0.033uF
- ALL RESISTORS ARE IN OHMS 1/4WATTS UNLESS OTHERWISE NOTED.
- THE THICK LINES ON PC BOARD ARE THE PRINTING SIDE OF THE PARTS.
EX) \square PRINTING SIDE
- CIRCUIT IS SUBJECT TO CHANGE FOR IMPROVEMENT.

SCHEMATIC DIAGRAMS-5 SPEAKER TERMINAL SECTION

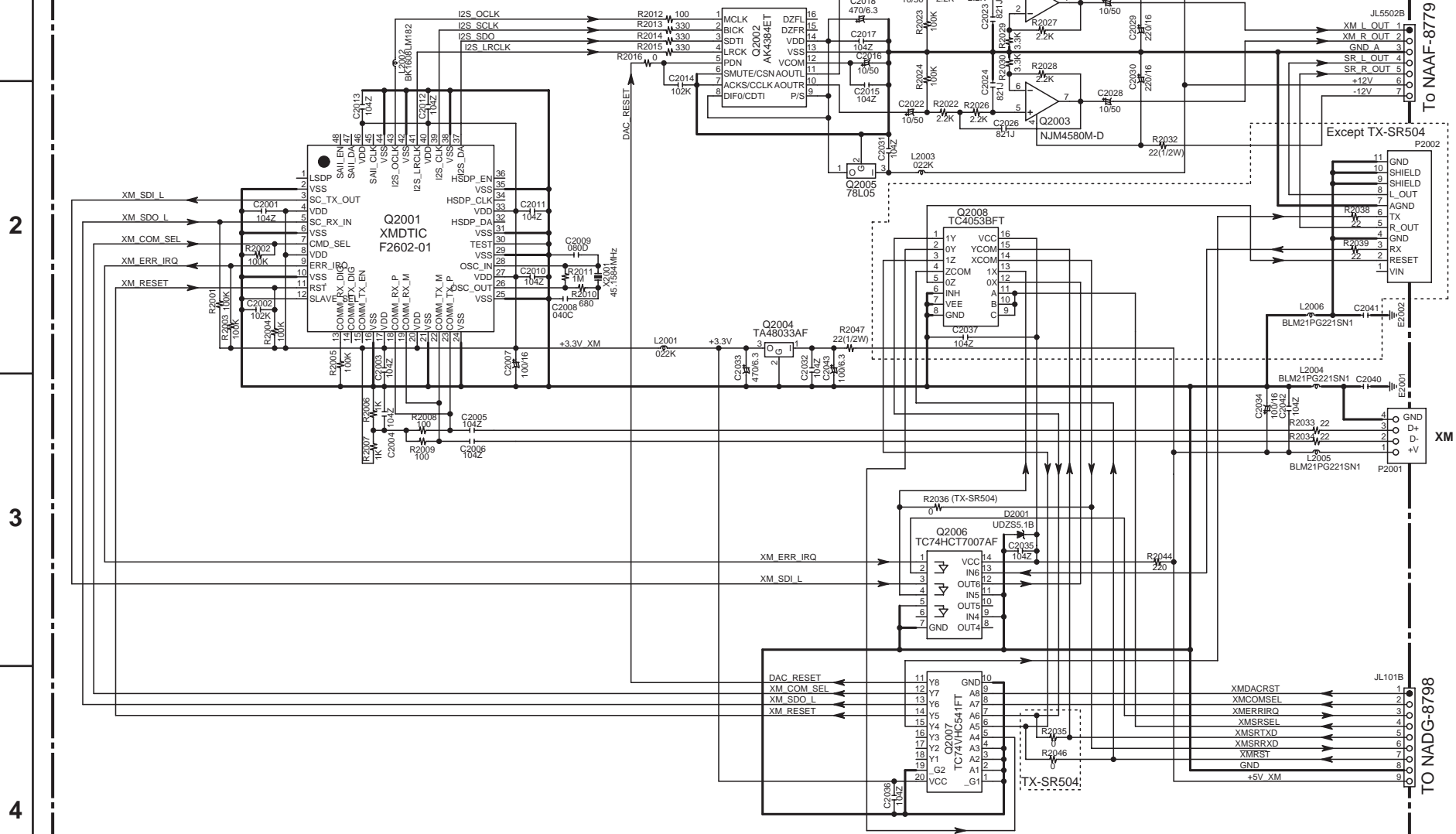


A B C D E

SCHEMATIC DIAGRAMS-6

XM DIGITAL TRANSCEIVER SECTION (TX-SR504 MDD, MDC Only)

1 NADG-8799

U19**XM DIGITAL TRANSCEIVER PC BOARD**

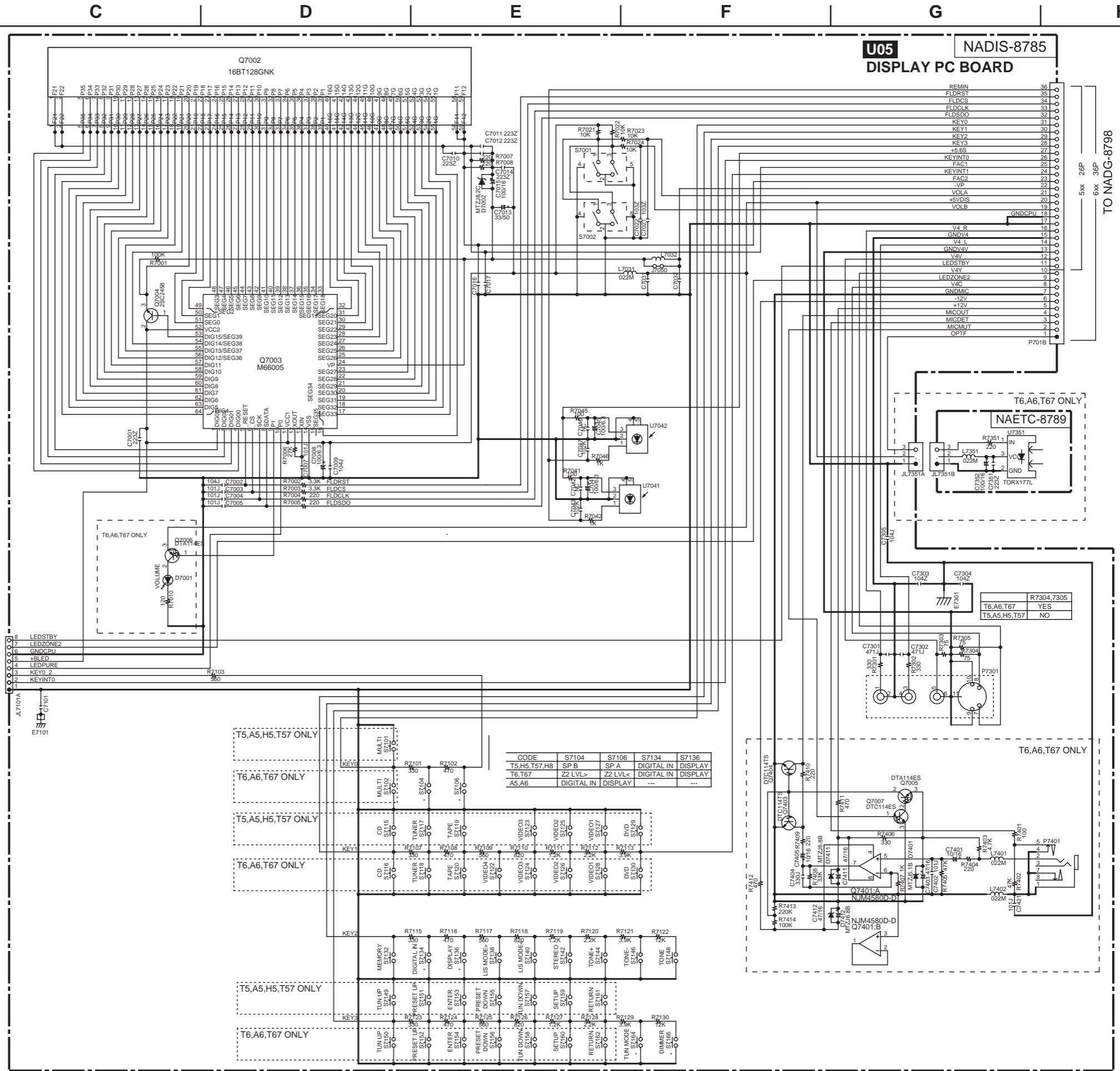
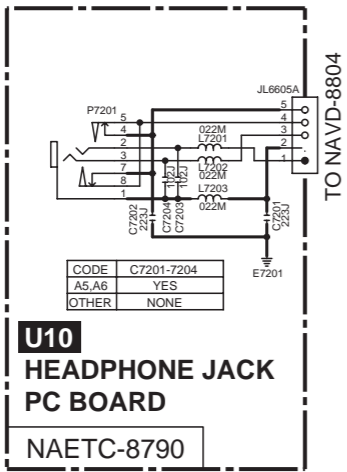
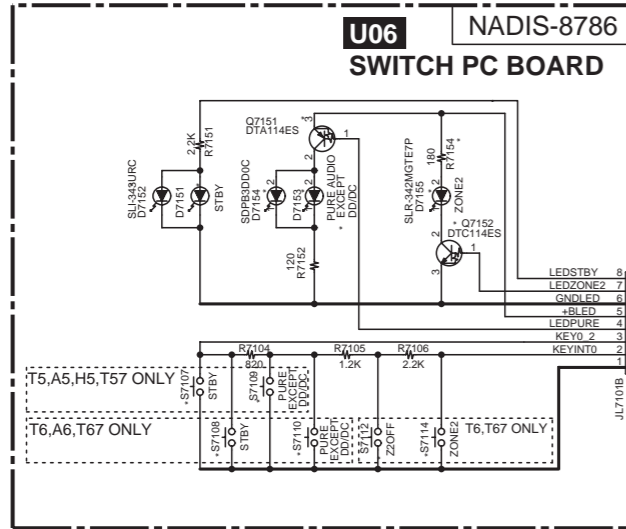
2

3

4

SCHEMATIC DIAGRAMS-7 DISPLAY SECTION

CODE	MODEL
T5	TX-SR504/504E/8450
H5	HT-R540



1

2

3

4

5

TO NADG-8798

T6,A6,T67 ONLY

T5,A5,H5,T57 ONLY

T6,A6,T67 ONLY

T5,A5,H5,T57 ONLY

T6,A6,T67 ONLY

T5,A5,H5,T57 ONLY

T6,A6,T67 ONLY

SCHEMATIC DIAGRAMS-8

POWER SUPPLY SECTION

NOTE

- THE COMPONENTS IDENTIFIED BY MARK ARE CRITICAL FOR SAFETY. REPLACE ONLY WITH PART NUMBER SPECIFIED.
- VOLTAGE (MEASURED WITH VOLTMETER) IS DC VOLTAGE.(NO INPUT SIGNAL).
- ALL PNP TRANSISTORS ARE EQUIVALENT TO 2SA1015-GR UNLESS OTHERWISE NOTED.
- ALL NPN TRANSISTORS ARE EQUIVALENT TO 2SC1815-GR UNLESS OTHERWISE NOTED.
- ALL DIODES ARE EQUIVALENT TO 1SS133 UNLESS OTHERWISE NOTED.
- ELECTROLYTIC CAPACITORS () ARE IN $\mu\text{F}/\text{V.V.}$
- ALL CAPACITORS ARE IN $\text{pF}/50\text{V.V.}$ UNLESS OTHERWISE NOTED.
EX) 030-3pF 330-33pF 331-330pF 333-0.033 μF
- ALL RESISTORS ARE IN OHMS 1/4WATTS UNLESS OTHERWISE NOTED.
- THE THICK LINES ON PC BOARD ARE THE PRINTING SIDE OF THE PARTS.
EX) PRINTING SIDE
- CIRCUIT IS SUBJECT TO CHANGE FOR IMPROVEMENT.

<Note>
NC=No mount of parts.

CODE	MODEL
T5	TX-SR504
H5	HT-R540

TYPE	AC
D	120V / 60HZ
P	230-240V / 50HZ
G	220-230V / 50HZ
J	100V/ 50/60HZ
W	120V/220V / 50/60HZ

F903

TYPE	
D	5A 125V
P	T2.5AL250V
G	T2.5AL250V
J	SHORT
W	T2.5AL250V

T902

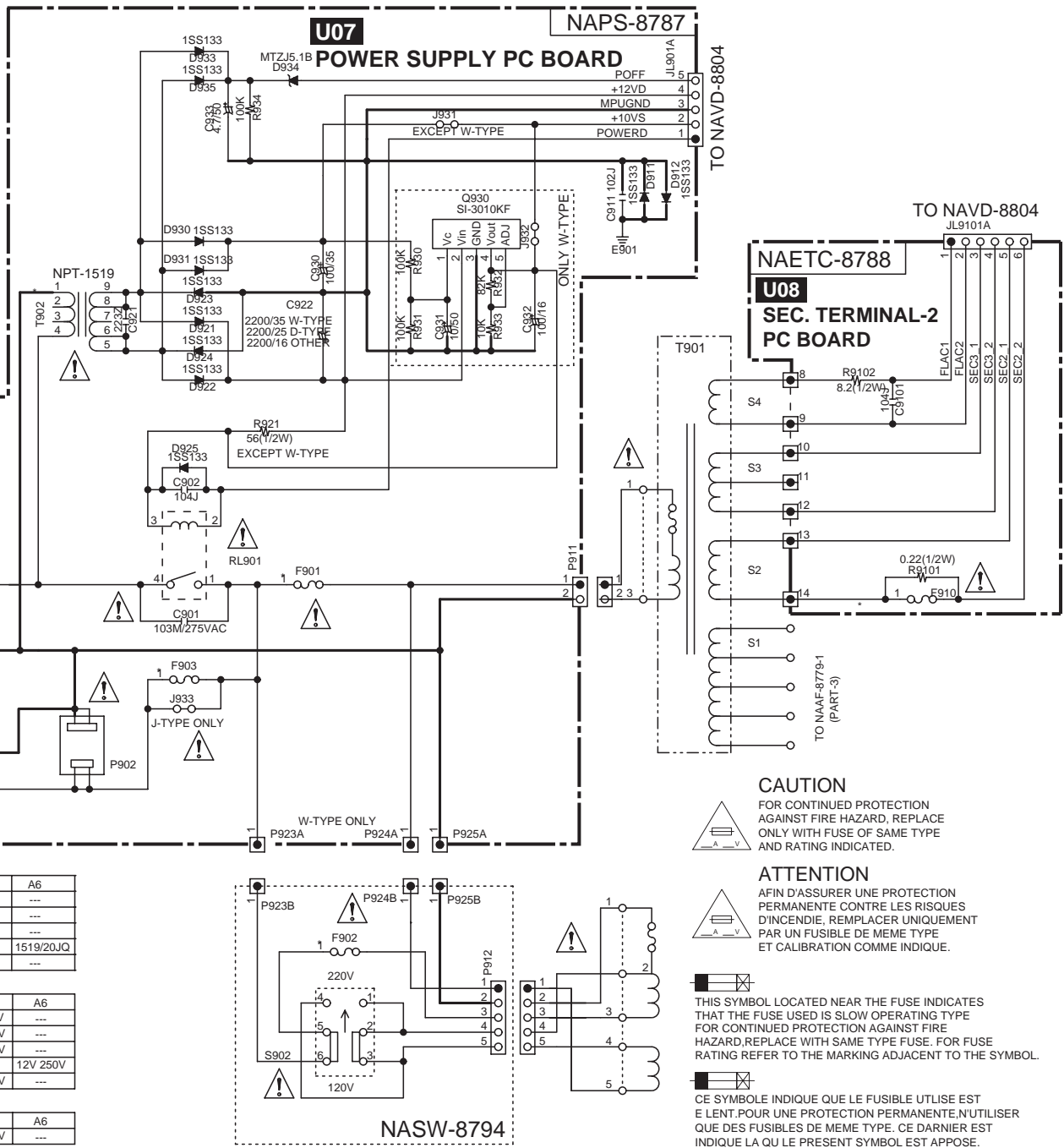
TYPE	T5	A5	H5	H8	T57	T6	T67	A6
D	1520JQ	---	1520JQ	1520JQ	1520JQ	1520JQ	1520JQ	---
P	1519GQ	---	1519GQ	1519GQ	1519GQ	1519GQ	1519GQ	---
G	1519GQ	---	---	---	---	---	---	---
J	---	1519/20JQ	---	---	---	---	---	1519/20JQ
W	1519JQ	---	---	---	---	1519JQ	1519JQ	---

F901

TYPE	T5	A5	H5	H8	T57	T6	T67	A6
D	8A 125V	---	8A 125V	8A 125V	8A 125V	10A 125V	10A 125V	---
P	T4AL250V	---	T4AL250V	T4AL250V	T4AL250V	T5AL250V	T5AL250V	---
G	T4AL250V	---	---	---	---	T5AL250V	T5AL250V	---
J	---	10A 125V	---	---	---	---	---	12V 250V
W	T4AL250V	---	---	---	---	T5AL250V	T5AL250V	---

F902

TYPE	T5	A5	H5	H8	T57	T6	T67	A6
W	T4AL250V	---	---	---	---	T5AL250V	T5AL250V	---



CAUTION
FOR CONTINUED PROTECTION AGAINST FIRE HAZARD, REPLACE ONLY WITH FUSE OF SAME TYPE AND RATING INDICATED.

ATTENTION
AFIN D'ASSURER UNE PROTECTION PERMANENTE CONTRE LES RISQUES D'INCENDIE, REMPLACER UNIQUEMENT PAR UN FUSIBLE DE MEME TYPE ET CALIBRATION COMME INDIQUE.

THIS SYMBOL LOCATED NEAR THE FUSE INDICATES THAT THE FUSE USED IS SLOW OPERATING TYPE FOR CONTINUED PROTECTION AGAINST FIRE HAZARD, REPLACE WITH SAME TYPE FUSE. FOR FUSE RATING REFER TO THE MARKING ADJACENT TO THE SYMBOL.

CE SYMBOLE INDIQUE QUE LE FUSIBLE UTILISE EST E LENT. POUR UNE PROTECTION PERMANENTE, N'UTILISER QUE DES FUSIBLES DE MEME TYPE. CE DERNIER EST INDIQUE LA QU LE PRESENT SYMBOLE EST APPOSE.