

Service  
Service  
Service

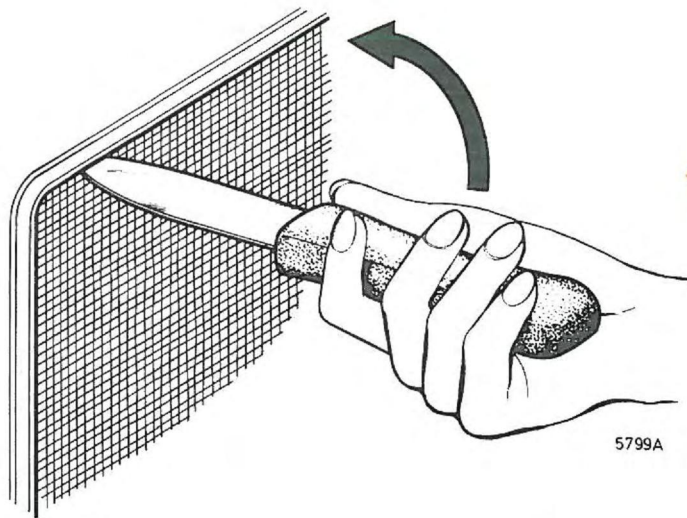


15 Litres  
415x265x210 mm

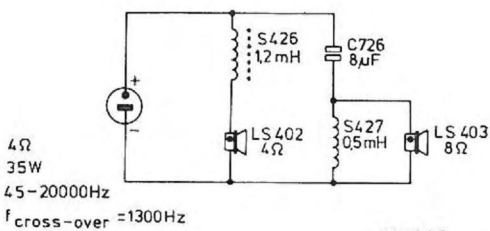
11622A12

# Service Manual

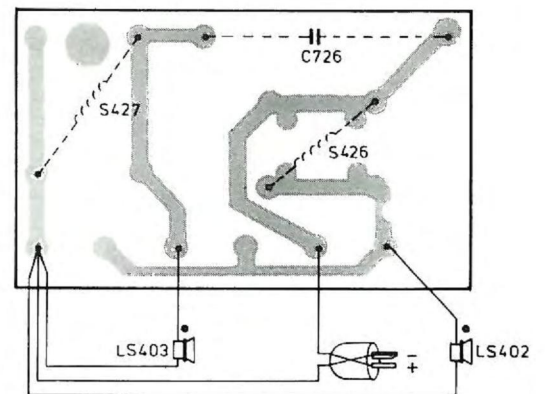
TO OPEN L.S. BOX



5799A



11498A2



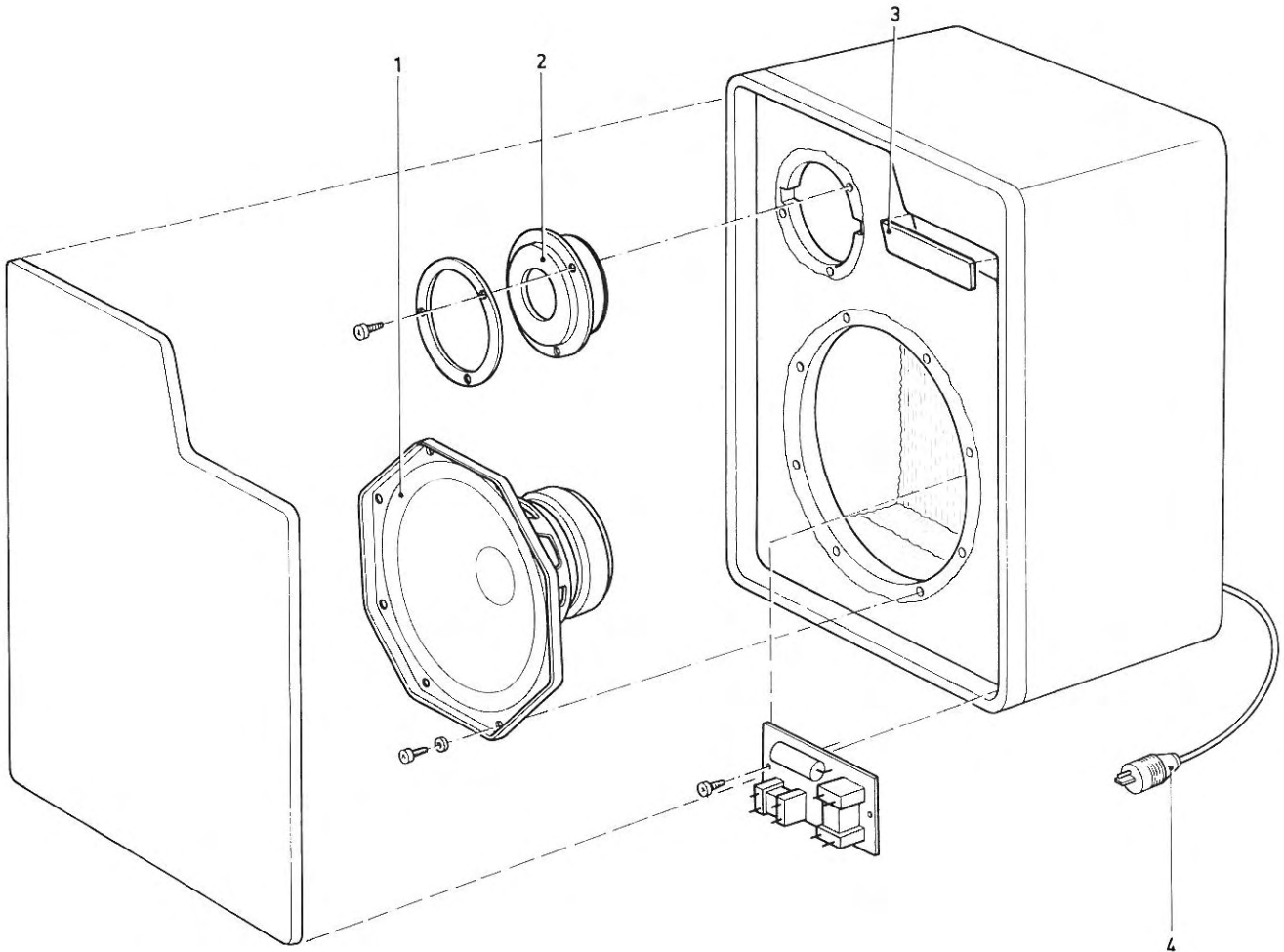
11502A2



- S -

- C -

S426	1,2 mH	4822 152 10083	C726	8 $\mu$ F	4822 124 40141
S427	0,5 mH	4822 156 10427			



- 1 LS402 4822 240 60081
- 2 LS403 4822 240 70018
- 3 4822 254 10546
- 4 4822 264 30041

11790D14