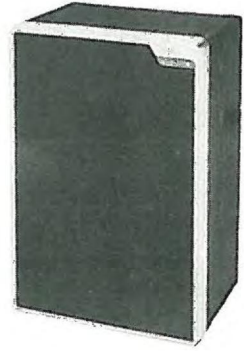


Service  
Service  
Service

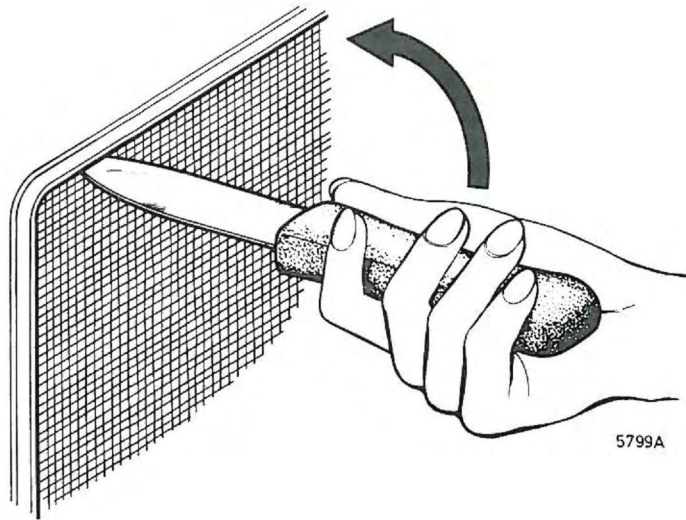


22 Litres  
480x320x225 mm

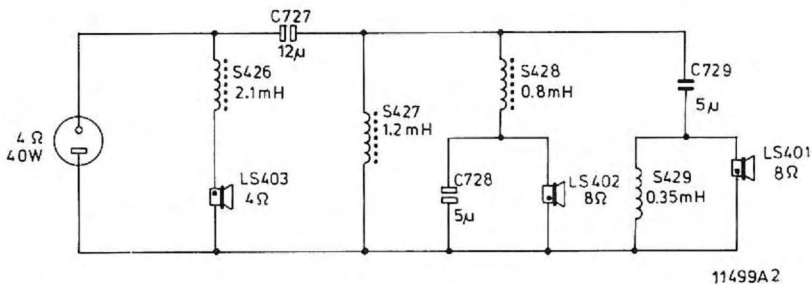
11622A12

# Service Manual

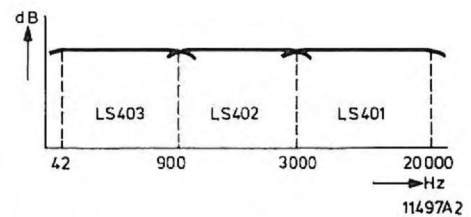
TO OPEN L.S.-BOX



5799A



11499A2



11497A2



CS57703



Subject to modification

4822 725 12234

Printed in The Netherlands

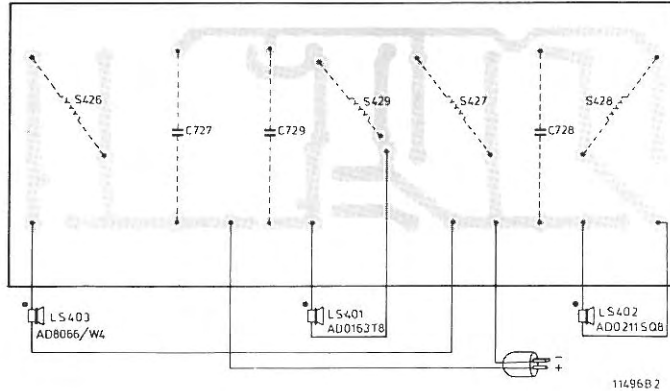
**PHILIPS**

**S**

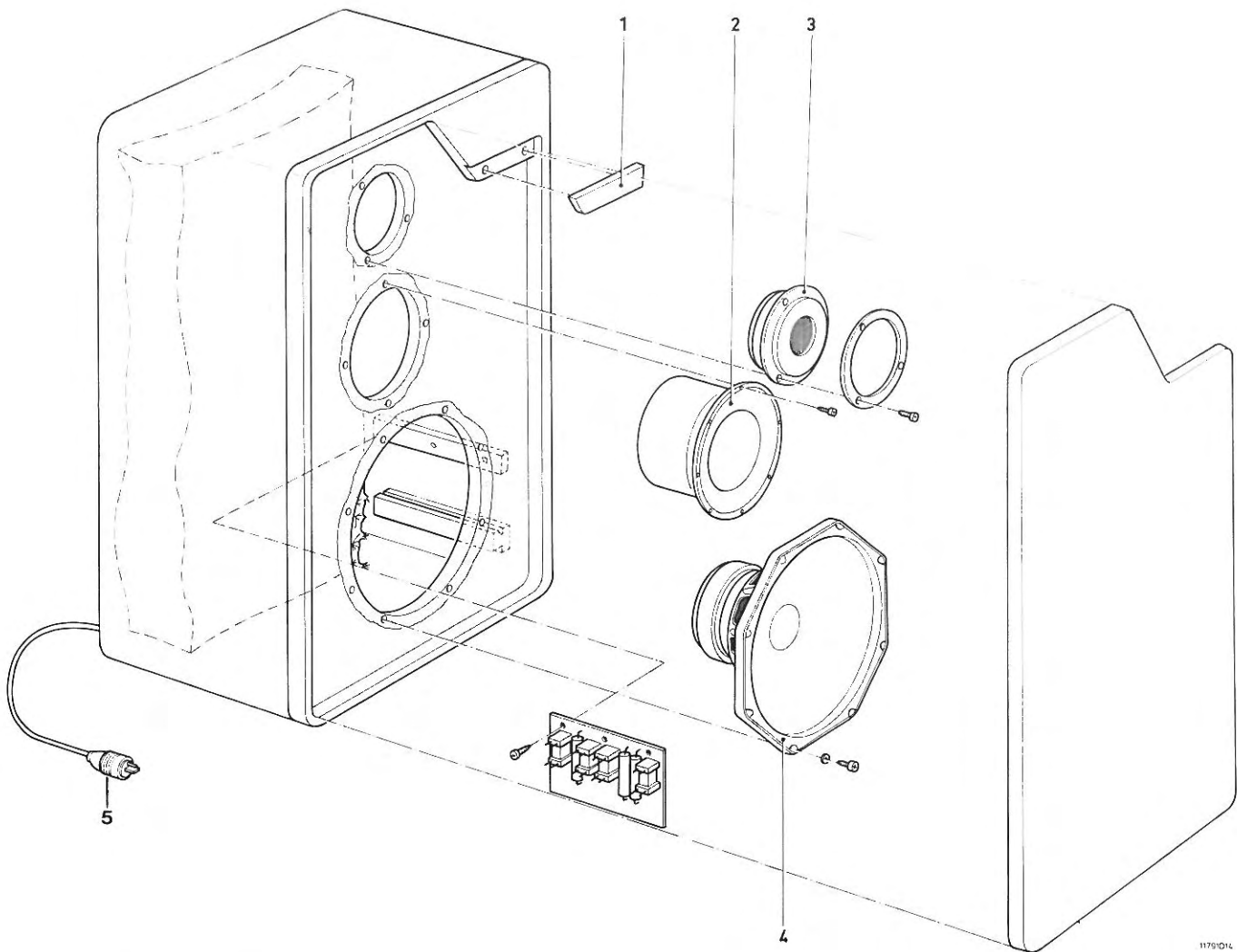
|      |         |                |
|------|---------|----------------|
| S426 | 2,1 mH  | 4822 152 10084 |
| S427 | 1,2 mH  | 4822 152 10083 |
| S428 | 0,8 mH  | 4822 157 50816 |
| S429 | 0,35 mH | 4822 158 10393 |

**C**

|          |                 |                |
|----------|-----------------|----------------|
| C727     | Elco 12 $\mu$ F | 4822 124 40145 |
| C728-729 | Elco 5 $\mu$ F  | 4822 124 40147 |



11496B 2



1176/014

|   |       |                |
|---|-------|----------------|
| 1 | LS403 | 4822 454 10546 |
| 2 | LS402 | 4822 240 70016 |
| 3 | LS401 | 4822 240 70018 |
| 4 | LS403 | 4822 240 60081 |
| 5 |       | 4822 264 30041 |