

Service
Service
Service



Service Manual

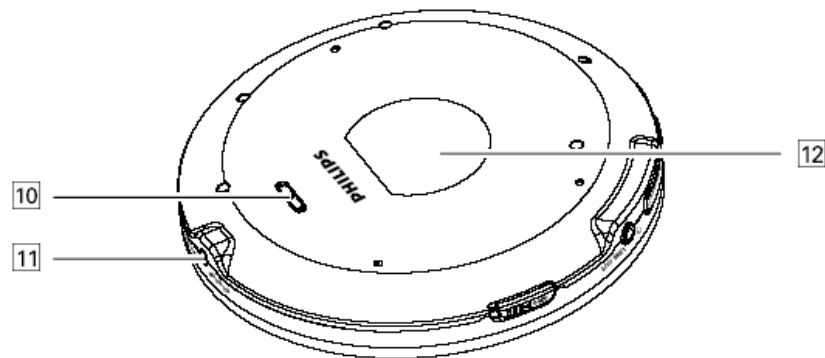
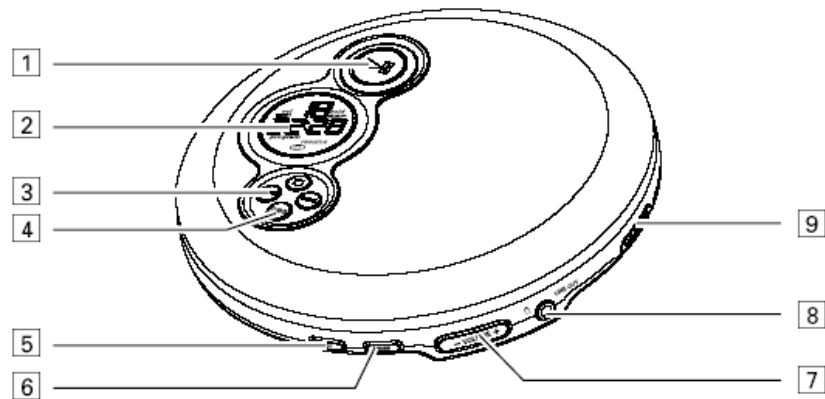
TABLE OF CONTENTS

	Chapter
Instruction For Use	1
Part List and Explode View Diagram	2
Revision List.....	3

©Copyright 2005 Philips Consumer Electronics B.V. Eindhoven, The Netherlands
All rights reserved. No part of this publication may be reproduced, stored in a retrieval system or transmitted, in any form or by any means, electronic, mechanical, photocopying, or otherwise without the prior permission of Philips

3141 785 31390

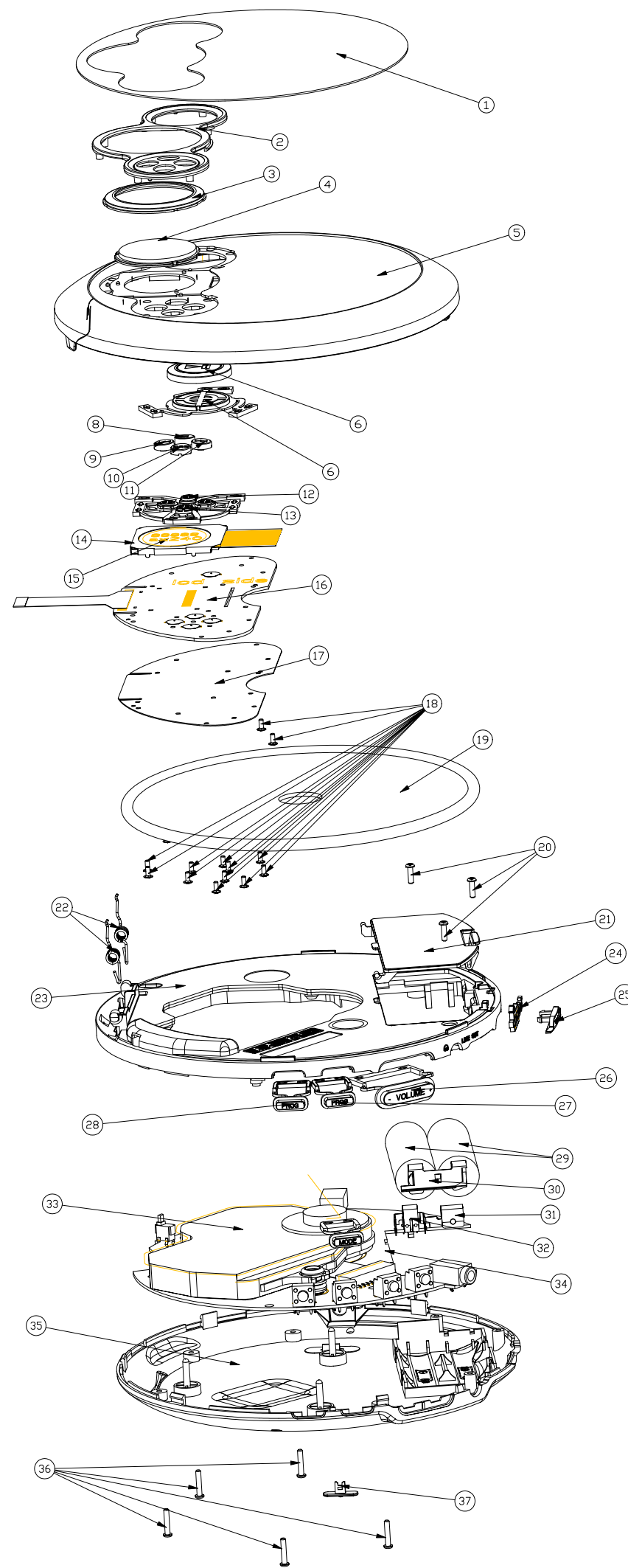
1.0 INSTRUCTION FOR USE



- 1 **▶||**.....switches the player on, starts or pauses CD play
- 2display
- 3 **■**.....stops CD play, clears a program or switches the player off
- ◀◀**.....skips and searches CD tracks backwards
- ▶▶**.....skips and searches CD tracks forwards
- 4 **DBB**.....switches the bass enhancement on and off. This button also switches acoustic feedback (the beep) on/off when it is pressed for more than 2 seconds
- 5 **PROG**.....programs tracks and reviews the program
- 6 **MODE/ESP**.....selects the different playing possibilities: **SHUFFLE**, **SHUFFLE REPEAT ALL**, **REPEAT**, **REPEAT ALL** and **SCAN** switch ESP on/off
- 7 **VOLUME +/-**adjust the volume
- 8 **🎧/LINE OUT**.....3.5 mm headphone jack, jack to connect the player to another audio input of an additional appliance.
- 9 **OPEN ▲**opens the CD lid
- 10 **HOLD**.....locks all buttons
- RESUME**stores the last position of a CD track played
- OFF**.....switches RESUME and HOLD off
- 11 **4.5V DC**.....jack for external power supply
- 12type plate

2.0 PART LIST AND EXPLODED VIEW DIAGRAM

Philips 12NC	Description	Supplier material	Supplier
996500040745	CD MECHANISM TPP381 (THOMSON)	ECDTPP381ZZA	CMT
996500040746	CD DOOR SPRING LEFT AX2400	MMSDSAX2400LA	CMT
996500040747	CD DOOR SPRING RIGHT AX2400	MMSDSAX2400RA	CMT
996500040748	PC SHEET SPRAY SILVER AX2400 T:0.3MM	MTSPCAX2400AA	CMT
996500040749	BOTTOM CABINET INJ. ABS W/S.S.	PAX240002ZXXZZB	CMT
994000003793	DOOR BATTERY INJ. ABS	PAX240003ZZZZZA	CMT
996500040750	VOLIME KNOB INJ. ABS	PAX240005ZZZZZA	CMT
996500040751	SLIDE KNOB (HOLD) INJ. ABS	PAX240007AZZZZA	CMT
996500040752	OPEN SLIDER INJ. ABS	PAX240007BZZZZA	CMT
996500040753	PROG KEY INJ. ABS	PAX240008AZZZZA	CMT
996500040754	MODE KEY INJ. ABS	PAX240008BZZZZA	CMT
996500040755	STOP KEY INJ. ABS CHROME PLATED	PAX240008CZZSZA	CMT
996500040756	FWD&REV KEY INJ. ABS CHROME PLATED	PAX240008DZZSZA	CMT
996500040757	DBB KEY INJ. ABS CHROME PLATED	PAX240008FZZSZA	CMT
996500040758	PLAY BUTTON INJ. ABS CHROME PLATED	PAX240008GZZSZA	CMT
996500040759	LENS LCD INJ. PC	PAX240017ZZZZZA	CMT
996500040760	MIDDLE CABINET INJ. ABS	PAX240018ZZZZZA	CMT
996500040761	CD DOOR INJ. PC WITH SPRAY	PAX240025ZZZSZA	CMT
996500040762	CONTROL PANEL INJ. ABS WITH SPRAY	PAX240034ZZZSZA	CMT
996500040763	BRACKET (DISPLAY COSMETIC RING) INJ ABS	PAX240044AZZSZA	CMT
996500040764	BRACKET (TOP KEY SET) INJ. ABS	PAX240044BZZZZA	CMT
996500040765	BRACKET (STOP KEY) INJ. ABS	PAX240044CZZZZA	CMT
996500040766	BRACKET (PLAY KNOB) INJ. ABS	PAX240044DZZZZA	CMT
996500040767	OPEN LEVER INJ. POM	PAX240056ZZZZZA	CMT



NO	PART NAME	UNIT	REMARK
56			
55			
54			
53			
52			
51			
50			
49			
48			
47			
46			
45			
44			
43			
42			
41			
40			
38			
37	hold button	1	sunleader
36	screw(402.jp1709)	5	
35	low cab	1	sunleader
34	main pcb	1	
33	driver	1	
32	batt plate-	1	mpc250(202b250-)
31	batt plate+	1	mpc250(202b250+)
30	batt plate+-	1	mpc250(202b220h+-)
29	battery	2	
28	mode button	1	sunleader
27	prog button	1	sunleader
26	volume button	1	sunleader
25	open slider	1	sunleader
24	open lever	1	sunleader
23	mid cab	1	sunleader
22	spring(left and right)	2	
21	battery door	1	sunleader
20	screw(402.jp1706)	3	
19	cd disc	1	
18	screw(402.jp1425)	18	
17	pc sheet	1	
16	lcd pcb	1	
15	lcd	1	
14	lcd bracket	1	
13	top key set bracket	1	sunleader
12	stop button bracket	1	sunleader
11	forward button	1	sunleader
10	dbb button	1	sunleader
9	revert button	1	sunleader
8	stop button	1	sunleader
7	play button bracket	1	sunleader
6	play button	1	sunleader
5	cd door	1	sunleader
4	lcd lens	1	sunleader
3	display-cosmatic-ring	1	
2	control panel	1	
1	cut sheet	1	
NO	PART NAME	UNIT	REMARK

R & D DEPARTMENT

UNLESS OTHERWISE SPECIFIED ALL DIM ARE IN mm X±0.1 .X±0.1 .XX±0.05	PROJECT: ax24xx SCALE: 1 DRAWING: DATE APPROVED	MODEL No.: PART No.: CAD FILE: AX24X-SET FINISH DO NOT SCALE DRAWING
---	--	--

@ -FOR IQC INSPECTION REF .

3.0 REVISION LIST

Version 1.0 (3141 785 31390)

- Initial release